



US00D714287S

(12) **United States Design Patent**
Takahashi et al.

(10) **Patent No.:** **US D714,287 S**
(45) **Date of Patent:** **** Sep. 30, 2014**

- (54) **PERSONAL COMPUTER**
- (71) Applicant: **Fujitsu Limited**, Kawasaki (JP)
- (72) Inventors: **Keiji Takahashi**, Sagamihara (JP);
Kohei Okamoto, Kawasaki (JP);
Hiroyuki Fujita, Tokyo (JP)
- (73) Assignee: **Fujitsu Limited**, Kawasaki (JP)
- (**) Term: **14 Years**
- (21) Appl. No.: **29/451,364**
- (22) Filed: **Apr. 1, 2013**
- (30) **Foreign Application Priority Data**
Oct. 26, 2012 (JP) 2012-026038
- (51) **LOC (10) Cl.** **14-02**
- (52) **U.S. Cl.**
USPC **D14/341**
- (58) **Field of Classification Search**
USPC D14/341-347, 137, 138 R, 138 AA,
D14/138 C, 138 G, 496, 203.1, 203.3, 203.4,
D14/203.7, 129, 130, 147, 218, 248, 389,
D14/388, 426, 420; D10/65, 104.1;
D18/6-7; D21/324, 329, 330;
455/556.1, 556.2, 566, 575.1, 90.3;
379/433.04, 433.01, 433.06, 916;
345/173, 901, 905; 361/679.26, 679.3,
361/679.55, 679.56
See application file for complete search history.

- (56) **References Cited**
U.S. PATENT DOCUMENTS
D424,068 S * 5/2000 Takemasa D14/374
D639,763 S * 6/2011 Kim et al. D14/138 G
D639,767 S * 6/2011 Finney et al. D14/138 G
D641,017 S * 7/2011 Meng D14/341
D650,381 S * 12/2011 Park et al. D14/341

- D652,418 S * 1/2012 Rashid et al. D14/341
- D662,932 S * 7/2012 Park et al. D14/341
- D674,384 S * 1/2013 Zhang D14/341
- D677,255 S * 3/2013 McManigal et al. D14/341
- D677,660 S * 3/2013 Groene et al. D14/341
- D684,968 S * 6/2013 Smith et al. D14/341
- D684,969 S * 6/2013 Smith et al. D14/341
- D687,827 S * 8/2013 Song et al. D14/341
- D689,048 S * 9/2013 Wang et al. D14/341
- D689,482 S * 9/2013 Akana et al. D14/341
- D690,297 S * 9/2013 Chang et al. D14/341
- D691,996 S * 10/2013 Ohshima D14/341
- D692,877 S * 11/2013 Zuege D14/341
- D693,340 S * 11/2013 Ohshima D14/341
- D696,246 S * 12/2013 Kim D14/341

(Continued)

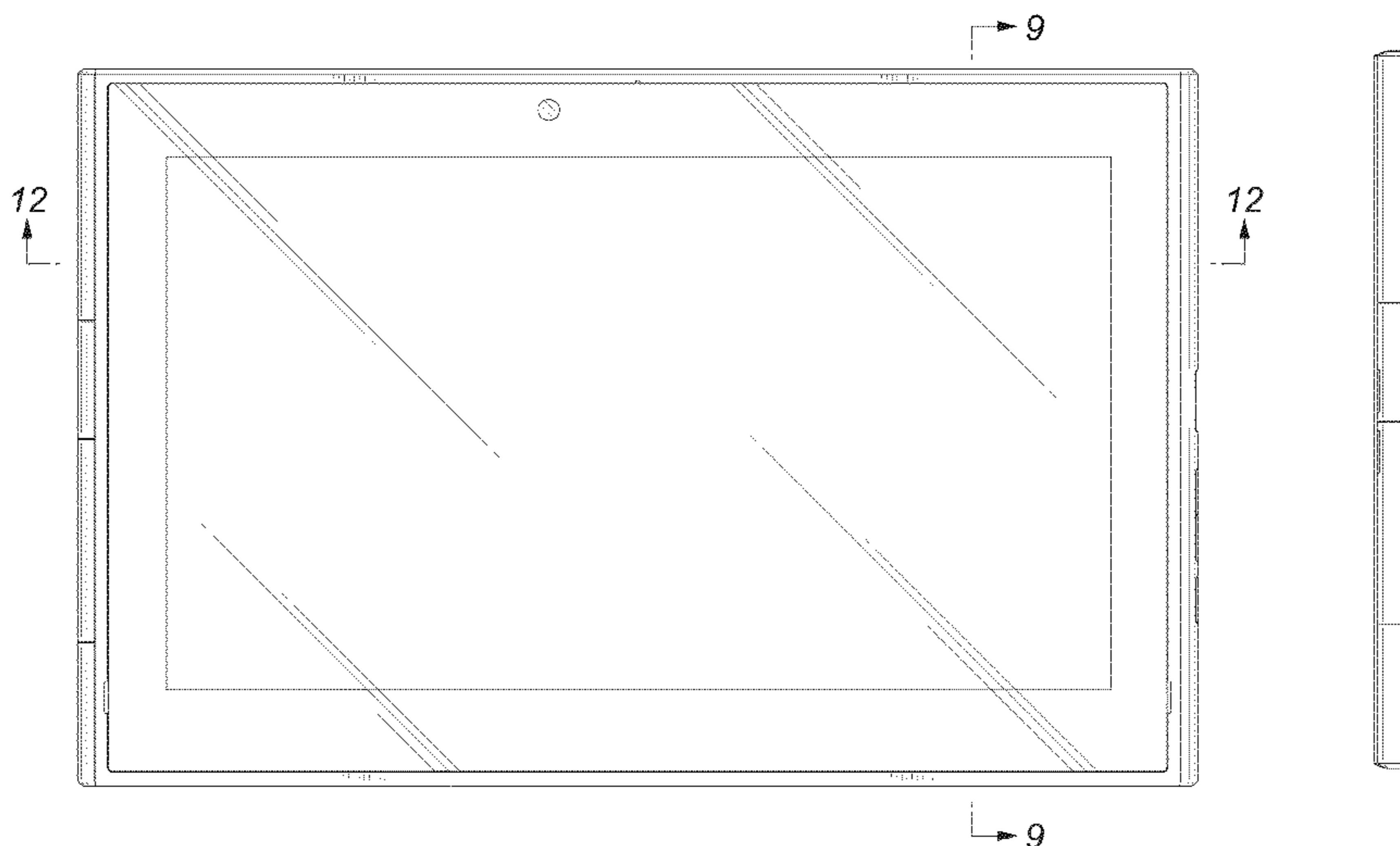
Primary Examiner — Barbara Fox
(74) *Attorney, Agent, or Firm* — Staas & Halsey LLP

(57) **CLAIM**
The ornamental design for a personal computer, as shown and described.

DESCRIPTION

FIG. 1 is a perspective view of front, top and right side of a personal computer of our new design;
 FIG. 2 is a perspective view of rear, top and right side thereof;
 FIG. 3 is a front view thereof;
 FIG. 4 is a rear view thereof;
 FIG. 5 is a left side view thereof;
 FIG. 6 is a right side view thereof;
 FIG. 7 is a top view thereof;
 FIG. 8 is a bottom view thereof;
 FIG. 9 is a cross-sectional view taken along lines 9-9 of FIG. 3;
 FIG. 10 is an enlarged view of a portion at 10-10 of FIG. 9;
 FIG. 11 is an enlarged view of a portion at 11-11 of FIG. 9;
 and,
 FIG. 12 is a cross-sectional view taken along lines 12-12 of FIG. 3.

1 Claim, 8 Drawing Sheets



(56)

References Cited

U.S. PATENT DOCUMENTS

D701,202 S *	3/2014	Choi	D14/341	
D702,229 S *	4/2014	Lim et al.	D14/341	* cited by examiner
D702,681 S *	4/2014	Sugiyama et al.	D14/341	
D703,667 S *	4/2014	Song et al.	D14/345	
D703,668 S *	4/2014	Kim et al.	D14/346	

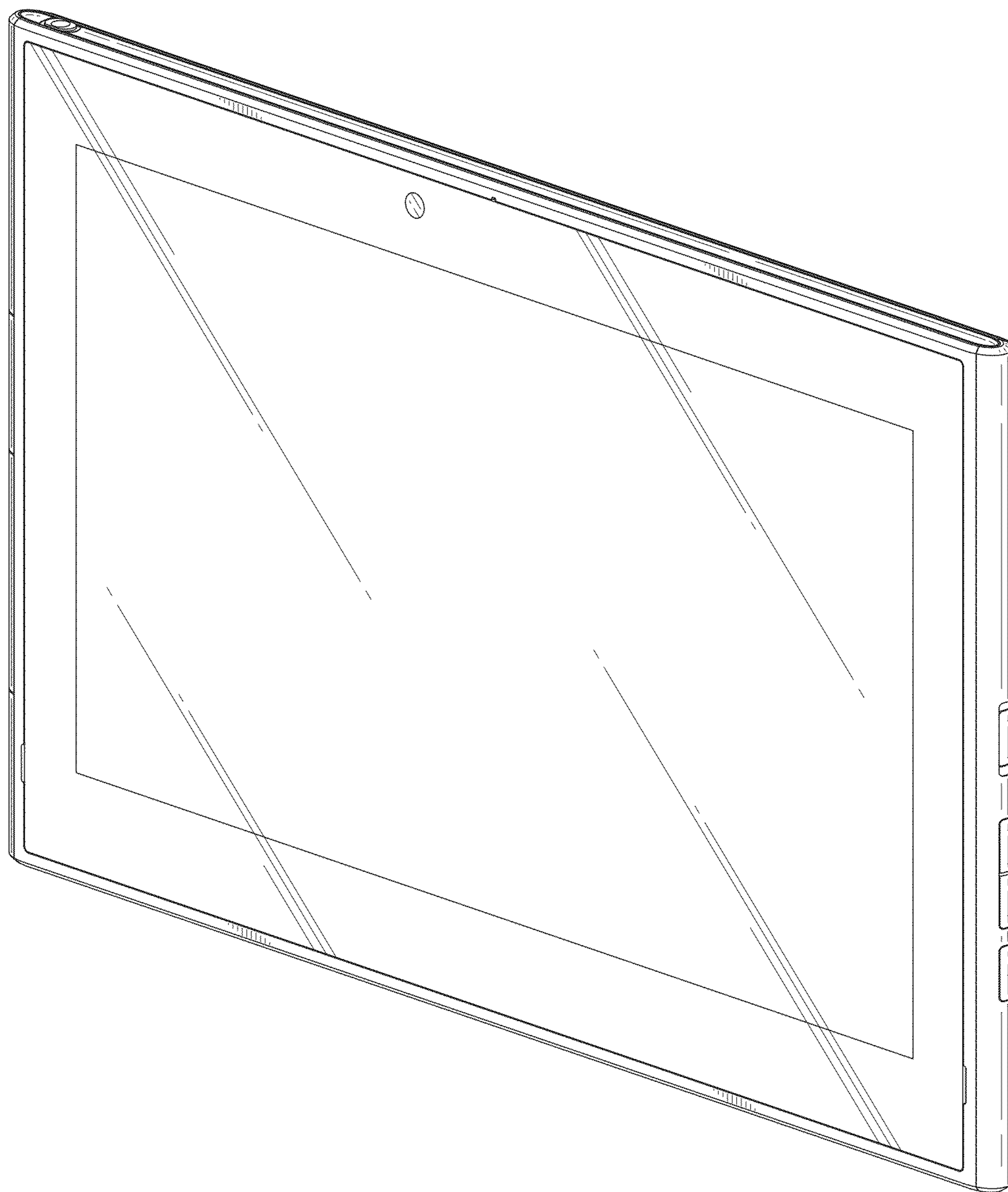


FIG. 1

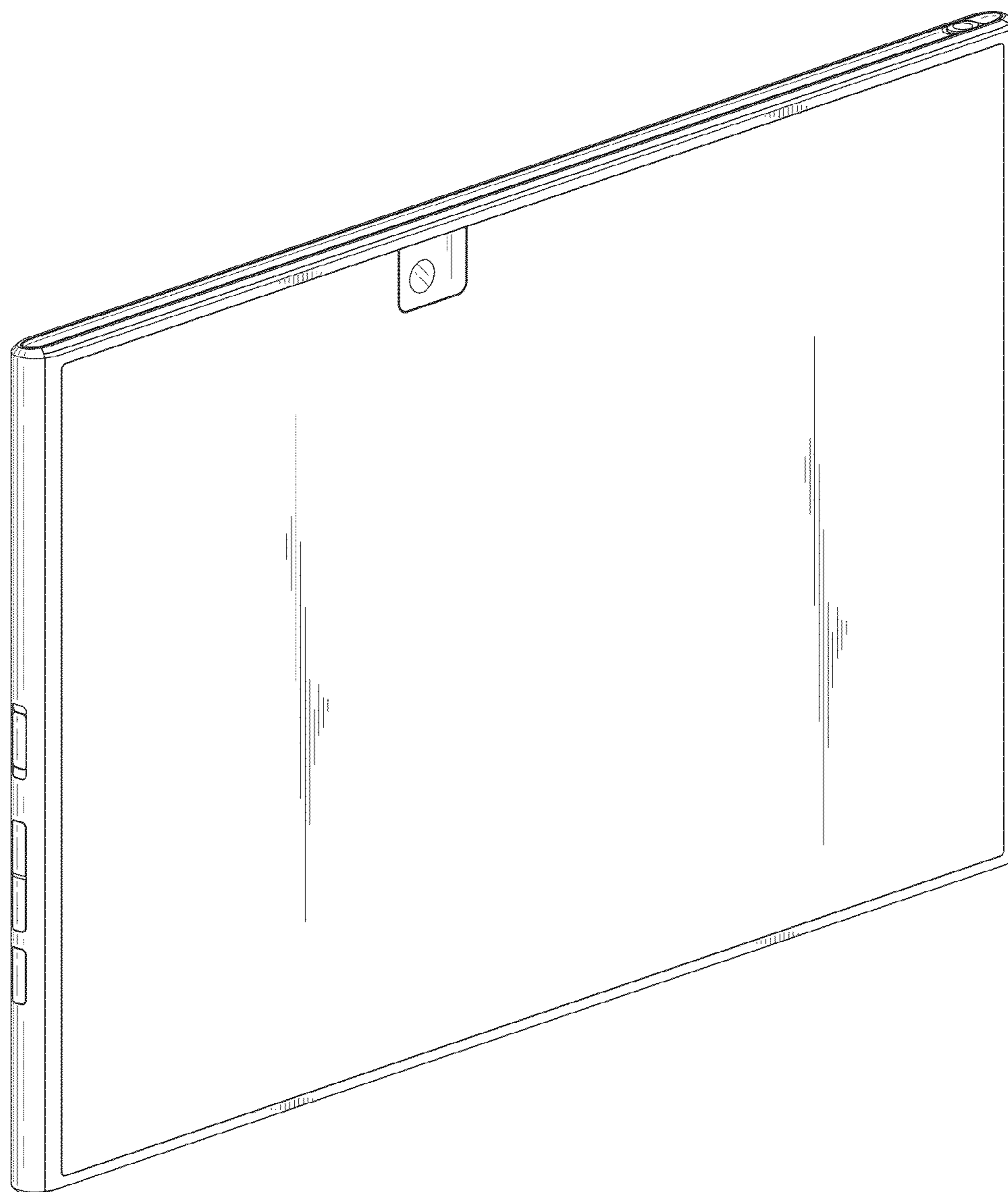


FIG. 2

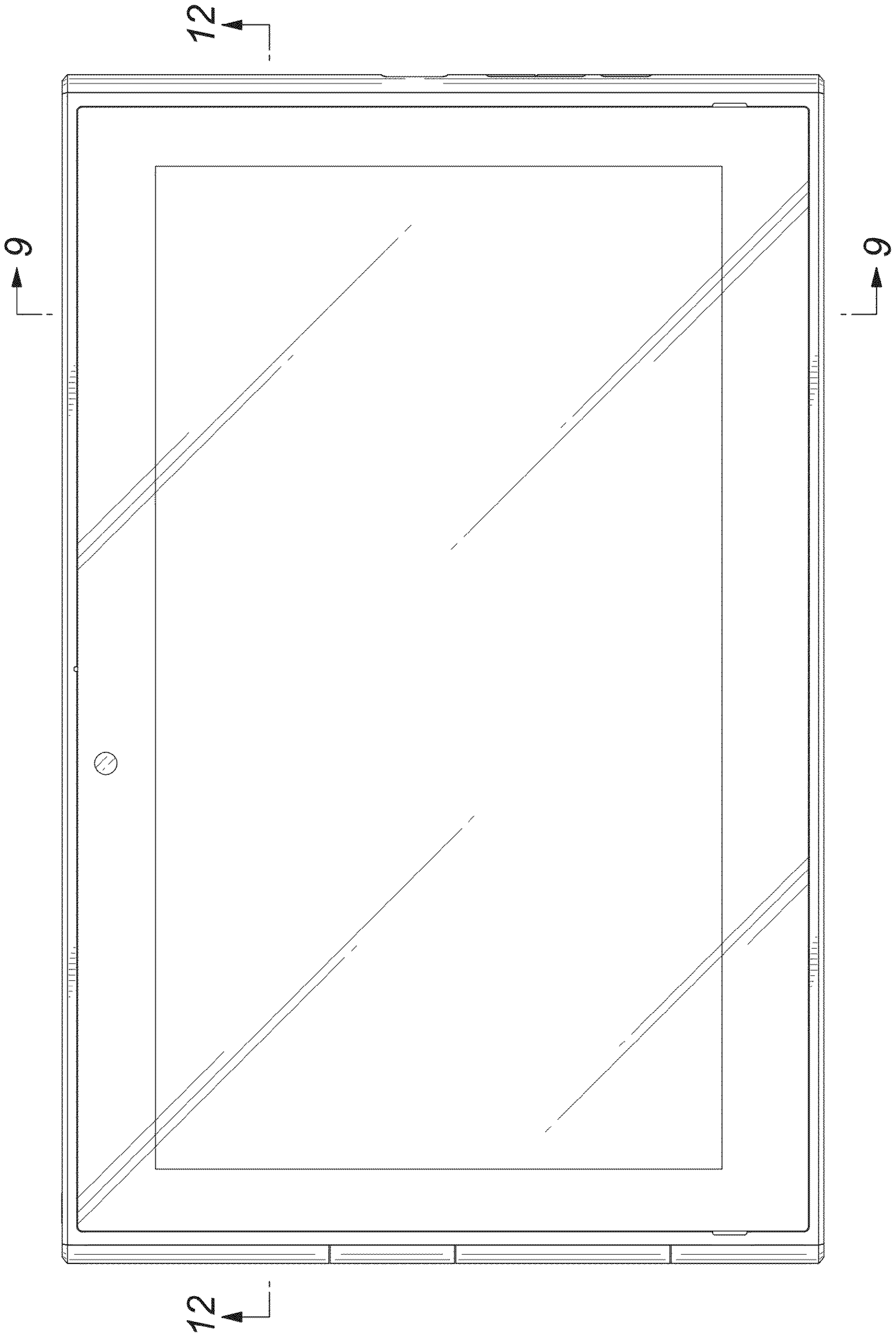


FIG. 3

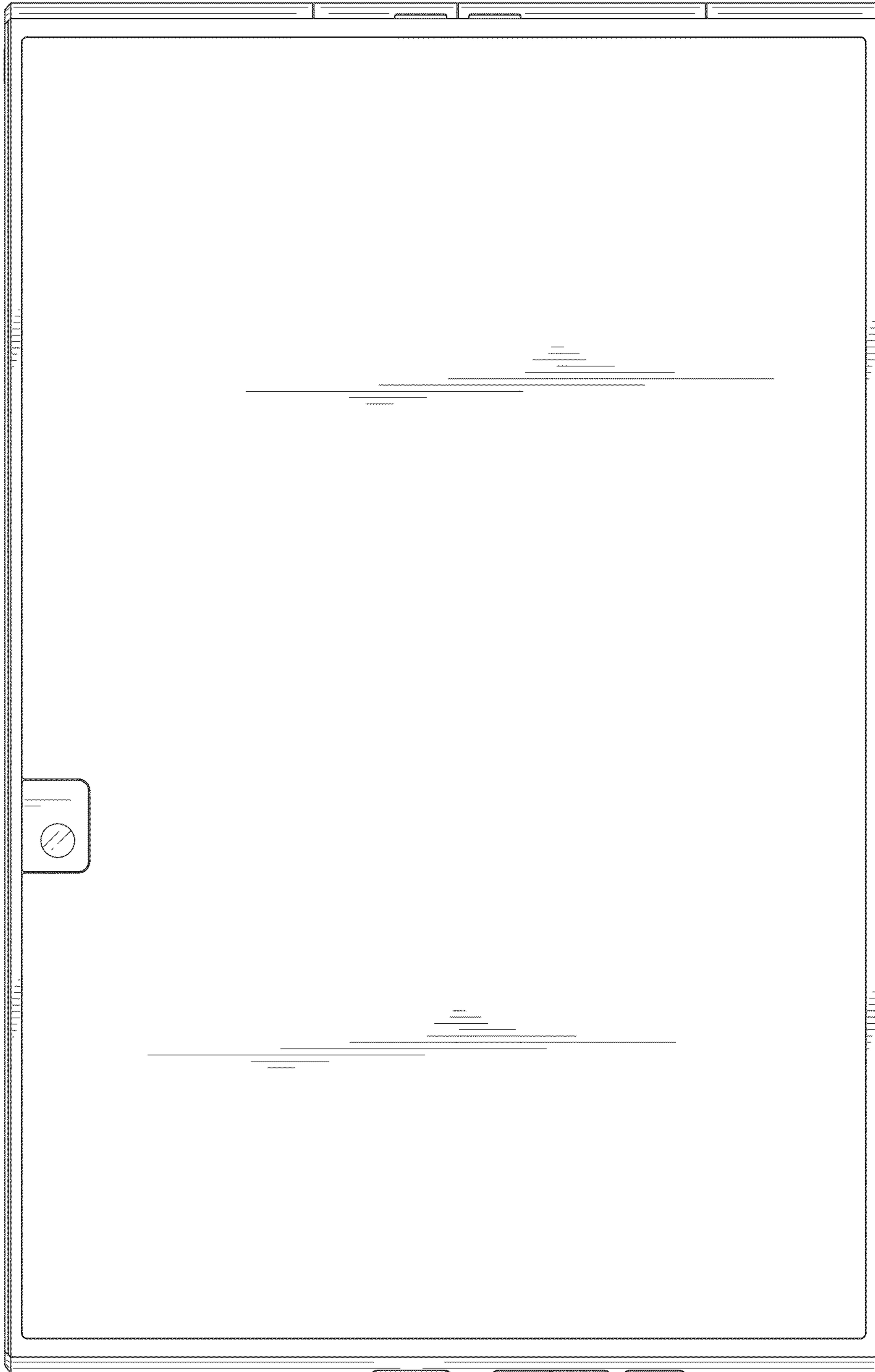


FIG. 4

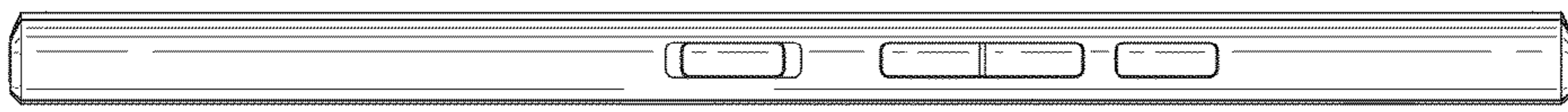


FIG. 6

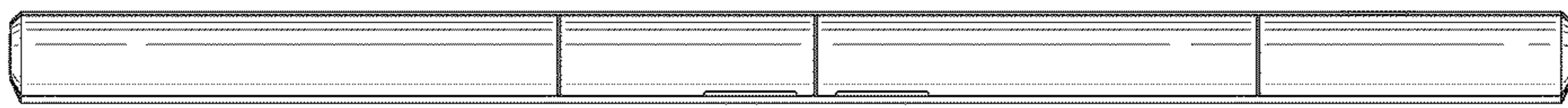


FIG. 5

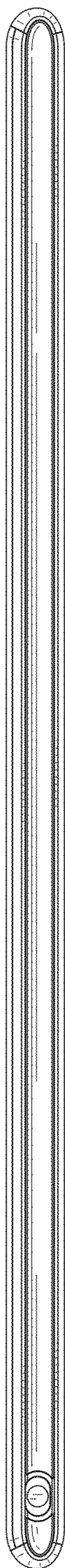


FIG. 7

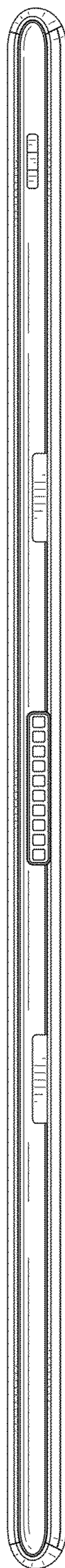


FIG. 8

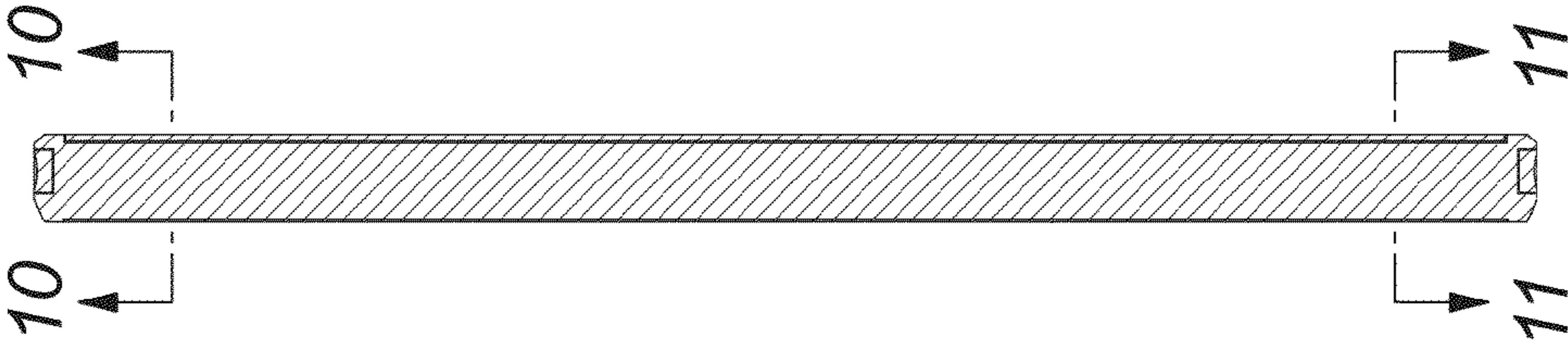


FIG. 9

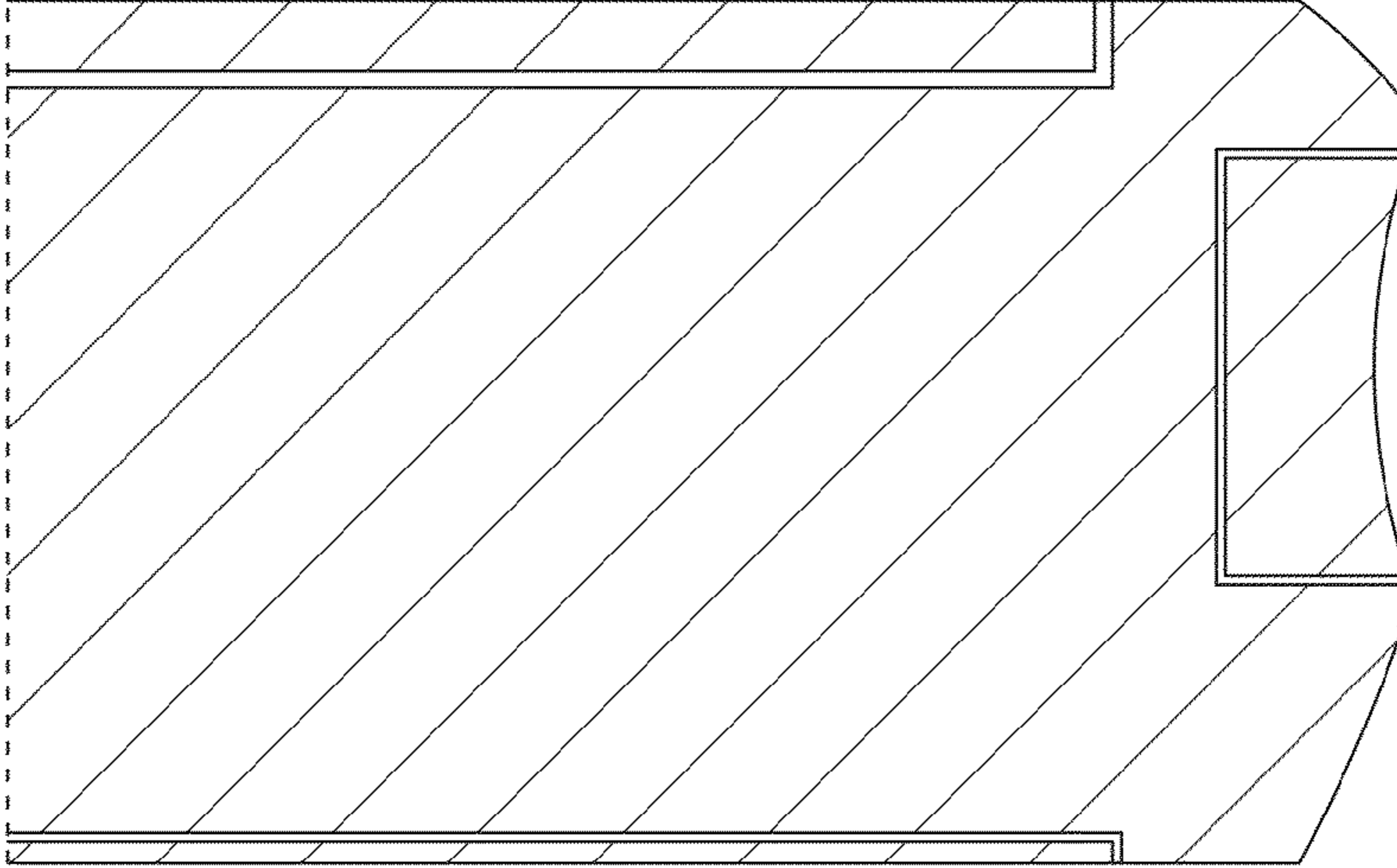


FIG. 10

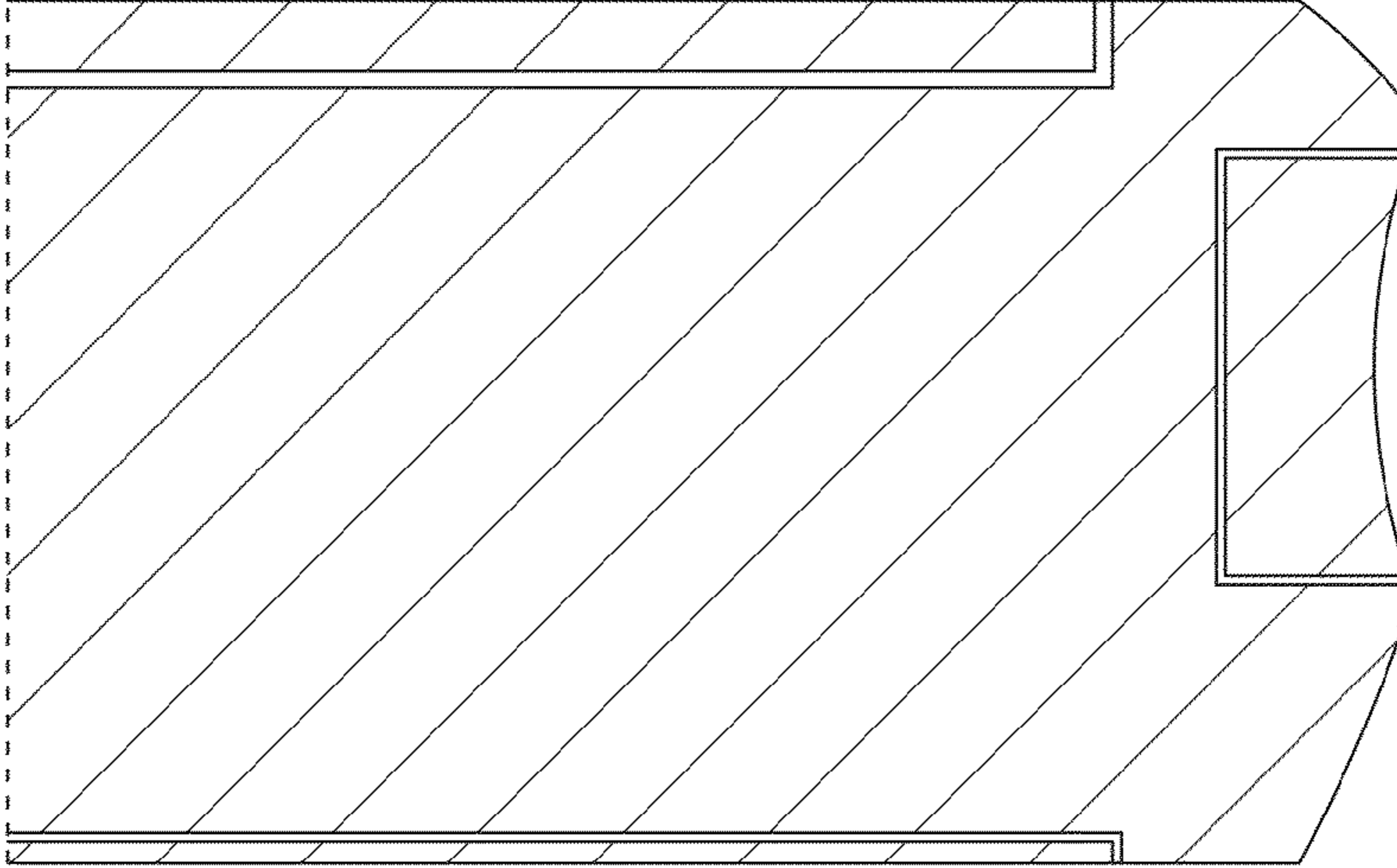


FIG. 11



FIG. 12