



US00D714281S

(12) **United States Design Patent**
Reznik

(10) **Patent No.:** **US D714,281 S**

(45) **Date of Patent:** **** Sep. 30, 2014**

(54) **HOLDER FOR AN ELECTRONIC DEVICE**

(71) Applicant: **Menachem Reznik**, Meishar (IL)

(72) Inventor: **Menachem Reznik**, Meishar (IL)

(**) Term: **14 Years**

(21) Appl. No.: **29/457,036**

(22) Filed: **Jun. 6, 2013**

(51) **LOC (10) Cl.** **14-03**

(52) **U.S. Cl.**
USPC **D14/251**; D14/447

(58) **Field of Classification Search**
USPC D14/208, 209.1, 217, 238.1, 243,
D14/250–253, 434, 440, 447, 496,
D14/203.3–203.7, 248, 240, 341–347;
D3/201, 215, 218, 226, 269, 273, 301,
D3/303; D19/90; D6/553; 455/575.1,
455/575.8; 206/305, 320; 320/108, 115;
429/96; 220/4.02; 150/165;
361/679.56, 679.3, 679.25, 816;
379/426, 446, 455, 433.1; 248/371,
248/176.3, 668; 224/411; D12/223, 407,
D12/415; D13/102, 108

See application file for complete search history.

(56) **References Cited**

U.S. PATENT DOCUMENTS

D327,383 S *	6/1992	Lam	D6/466
D361,070 S *	8/1995	Wall et al.	D14/253
D471,906 S *	3/2003	Salazar et al.	D14/253
D482,039 S *	11/2003	Chen et al.	D14/447
D520,944 S *	5/2006	Morita	D13/108

D548,229 S *	8/2007	Tanigawa et al.	D14/239
D552,185 S *	10/2007	Hussaini et al.	D21/333
D554,116 S *	10/2007	Liu et al.	D14/253
D564,508 S *	3/2008	Hering	D14/253
D592,593 S *	5/2009	Crawley	D13/108
D610,587 S *	2/2010	Bandringa	D14/447
D618,689 S *	6/2010	Shimizu	D14/434
D638,788 S *	5/2011	Daniel	D13/108
D684,144 S *	6/2013	Palance	D14/217
D697,061 S *	1/2014	Specht et al.	D14/251

* cited by examiner

Primary Examiner — Susan Bennett Hattan

Assistant Examiner — Janice Hallmark

(74) *Attorney, Agent, or Firm* — Brooks Kushman P.C.

(57) **CLAIM**

The ornamental design for a holder for an electronic device, as shown and described.

DESCRIPTION

FIG. 1 is a front perspective view of a holder for an electronic device;

FIG. 2 is a front/right side perspective view of the holder for an electronic device of FIG. 1, wherein a front/left side perspective view is a mirror image thereof;

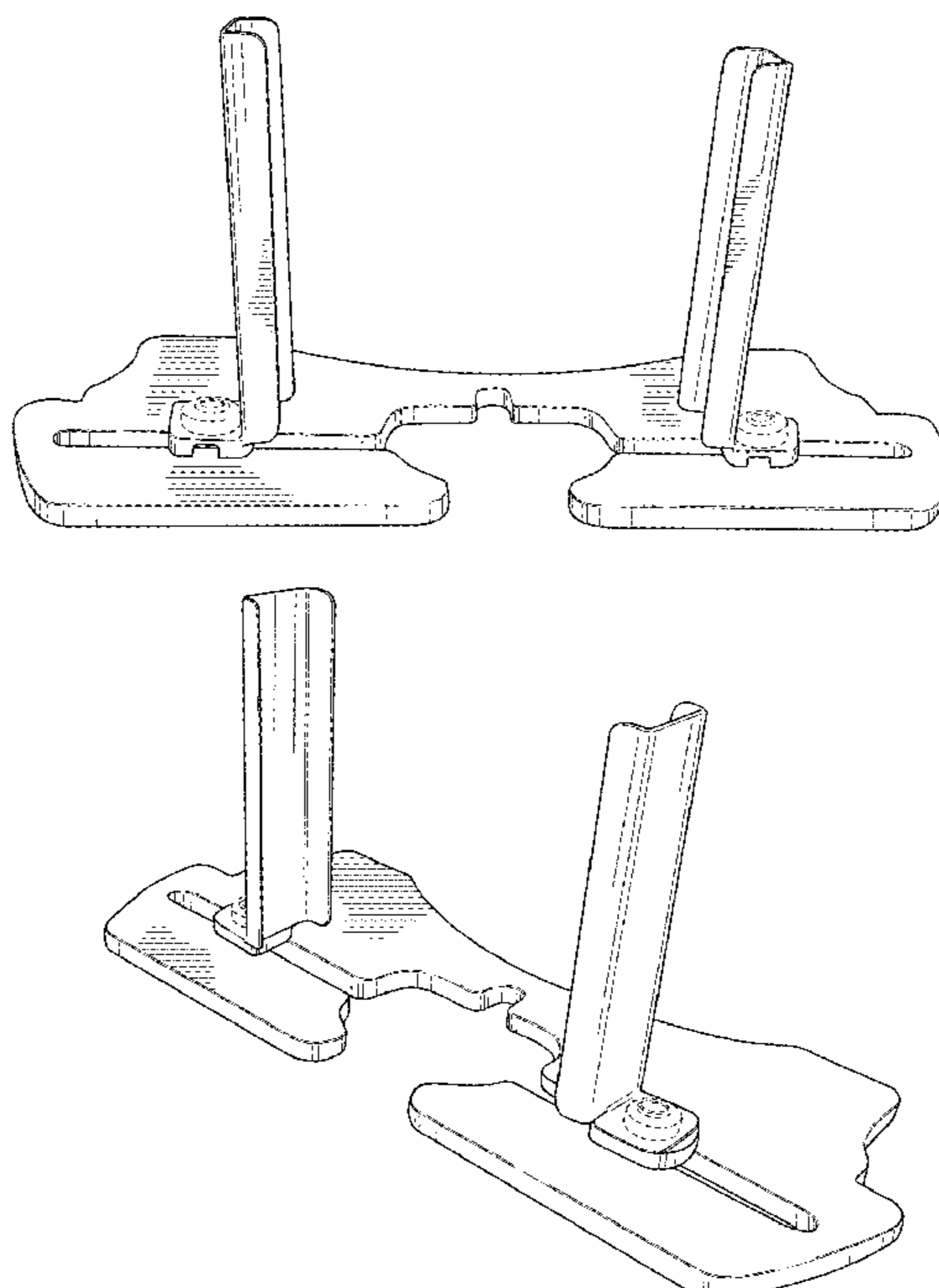
FIG. 3 is back perspective view of the holder for an electronic device of FIG. 1;

FIG. 4 is a top perspective view of the holder for an electronic device of FIG. 1; and,

FIG. 5 is a bottom perspective view of the holder for an electronic device of FIG. 1.

The broken lines in the drawings depict environmental subject matter only and form no part of the claimed design.

1 Claim, 3 Drawing Sheets



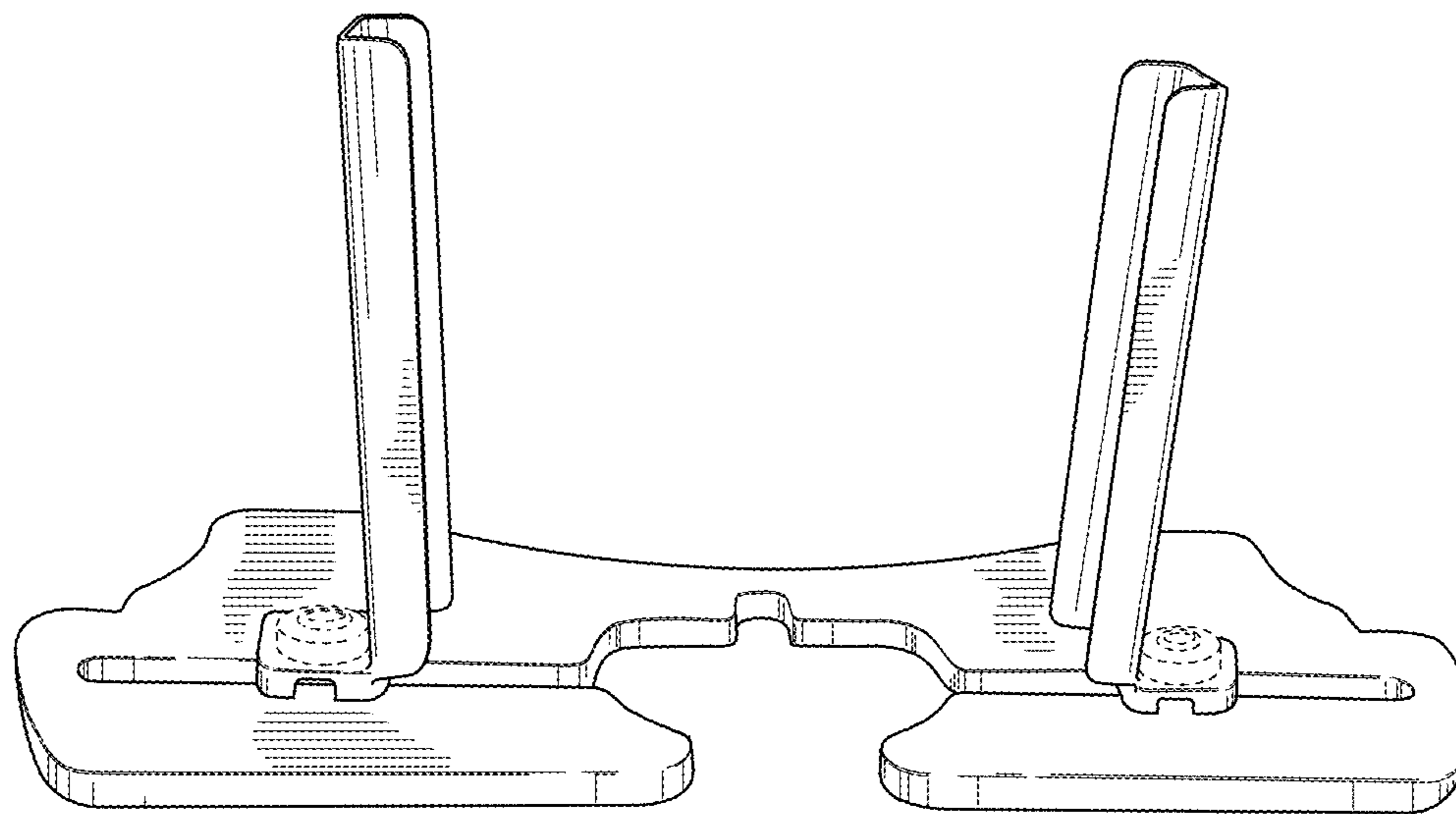


FIG. 1

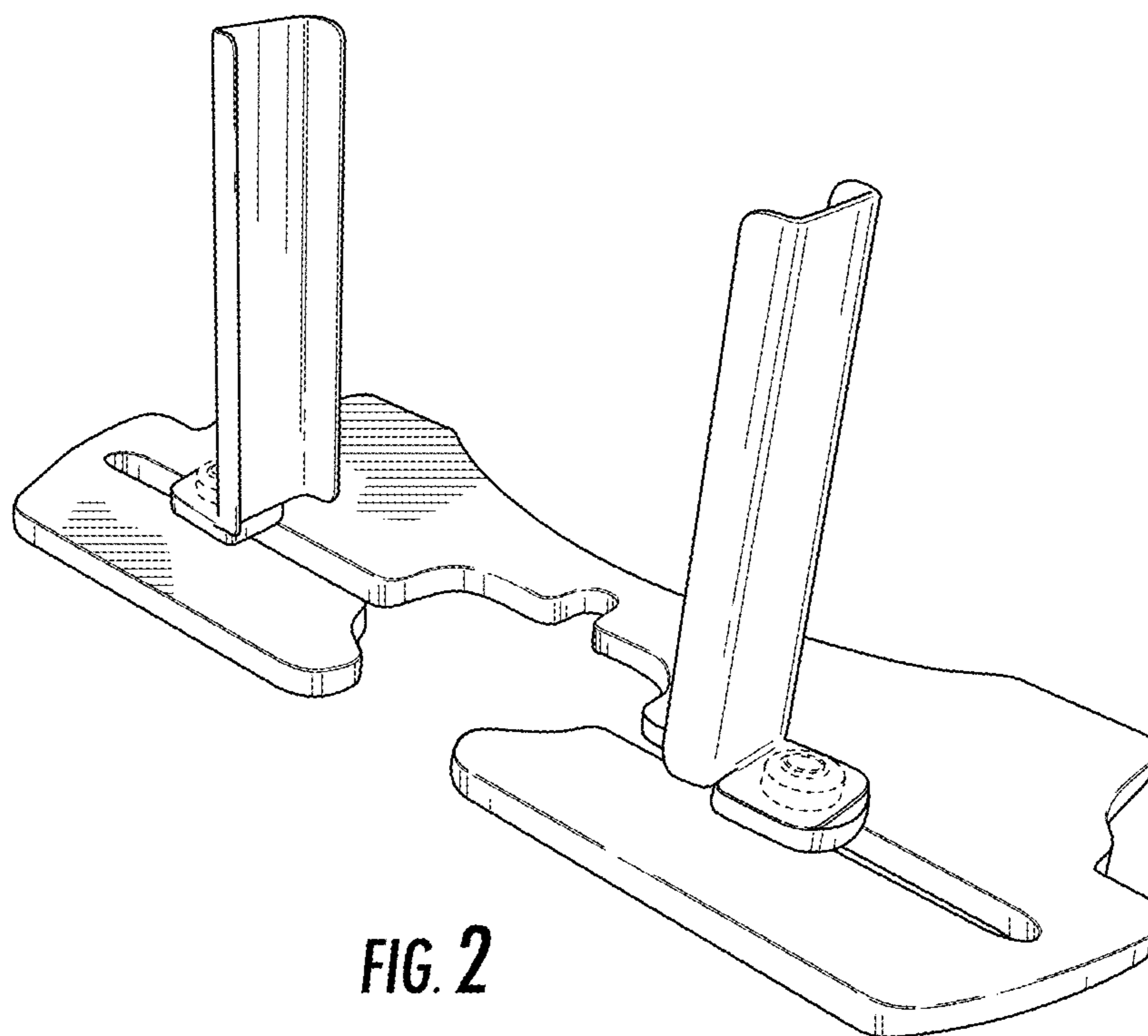


FIG. 2

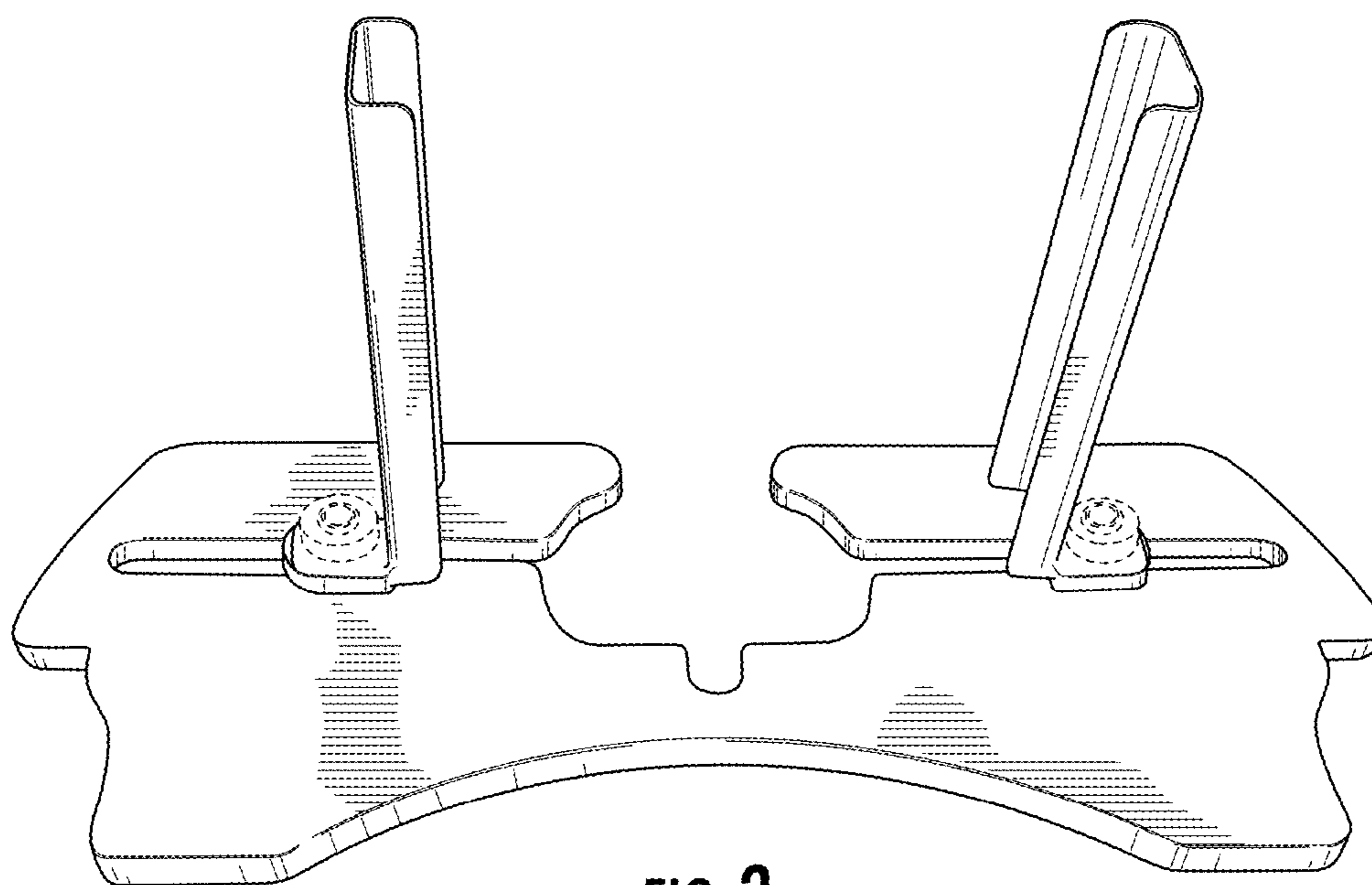


FIG. 3

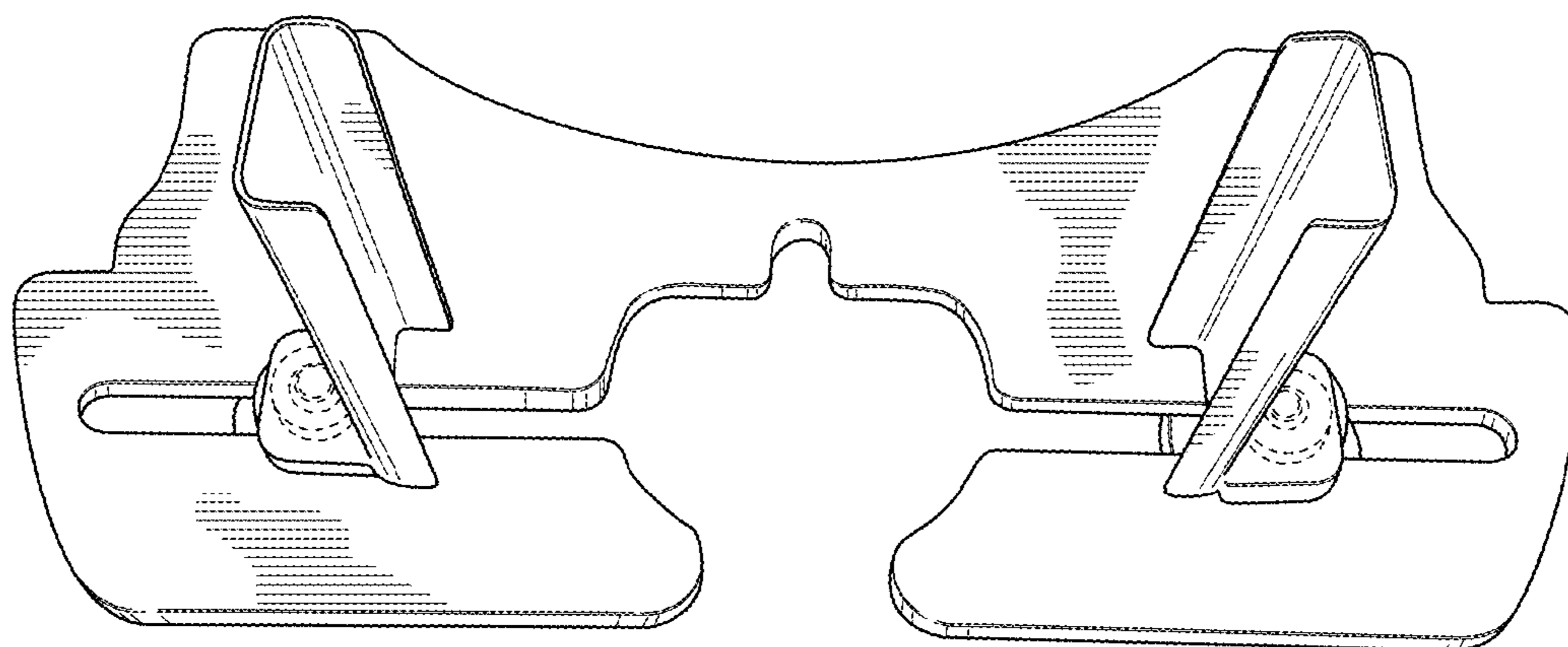


FIG. 4

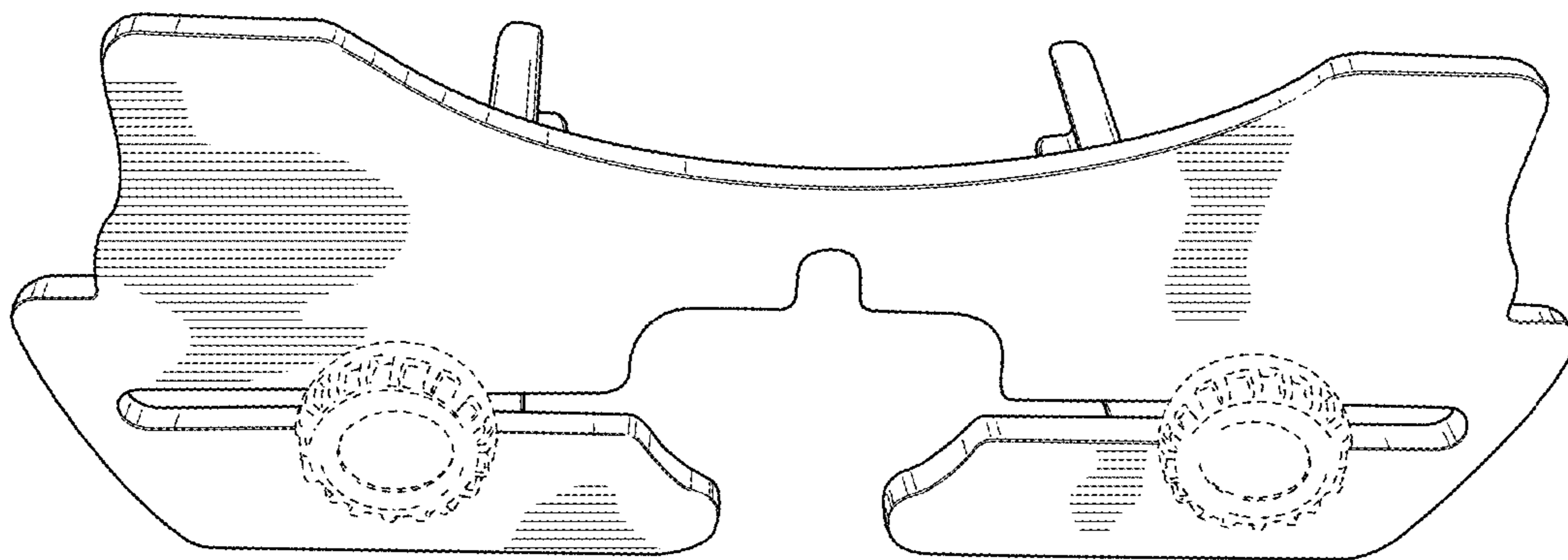


FIG. 5