



US00D714278S

(12) **United States Design Patent**  
**Case et al.**

(10) **Patent No.:** **US D714,278 S**  
(45) **Date of Patent:** **\*\* Sep. 30, 2014**

(54) **MOBILE PHONE CASE**

(71) Applicant: **Nite Ize, Inc.**, Boulder, CO (US)  
(72) Inventors: **Richard N. Case**, Boulder, CO (US);  
**Gregory M. Adelman**, Boulder, CO (US)  
(73) Assignee: **Nite Ize, Inc.**, Boulder, CO (US)

(\*\*) Term: **14 Years**

(21) Appl. No.: **29/461,939**

(22) Filed: **Jul. 29, 2013**

(51) **LOC (10) Cl.** ..... **14-03**

(52) **U.S. Cl.**  
USPC ..... **D14/250**

(58) **Field of Classification Search**

CPC ..... A45C 11/00; A45C 13/002; A45C 2011/003; A63F 13/02; B65D 85/00; G06F 1/00; G06F 2200/1633; H05K 5/03  
USPC ..... D14/250-253, 440, 203.3-203.7, 217, D14/496, 248, 238.1, 240, 447, 341-347, D14/444; D13/103, 107-108, 119; D3/201, D3/218, 247, 269, 273, 301, 303; 248/176.3, 188.8, 309.1, 371, 668; 361/220, 379.01, 679.01, 679.02, 361/679.09, 679.21, 679.25, 679.3, 679.4, 361/679.56, 679.57, 759, 807, 816; 379/433.11, 451, 455; 455/556.1, 557, 455/566, 575.1, 575.2, 575.8; 206/37, 45.2, 206/305, 320, 216; 320/108, 115; 429/96; 220/4.02; 150/165; 174/50; 235/41, 235/375, 462; 312/223.1; 396/535

See application file for complete search history.

(56) **References Cited**

U.S. PATENT DOCUMENTS

757,820 A 4/1904 Lykke  
1,251,778 A 1/1918 Humble  
1,407,406 A 2/1922 Glazebrook  
1,894,906 A 1/1933 Henry  
2,118,875 A 5/1938 Windheim  
2,175,036 A 10/1939 Sipe

(Continued)

FOREIGN PATENT DOCUMENTS

KR 100988204 B1 10/2010

OTHER PUBLICATIONS

U.S. Appl. No. 12/247,523 Final Office Action dated Aug. 16, 2012, 11 pages.

(Continued)

*Primary Examiner* — Carla Jobe Wright

(74) *Attorney, Agent, or Firm* — Squire Patton Boggs (US) LLP

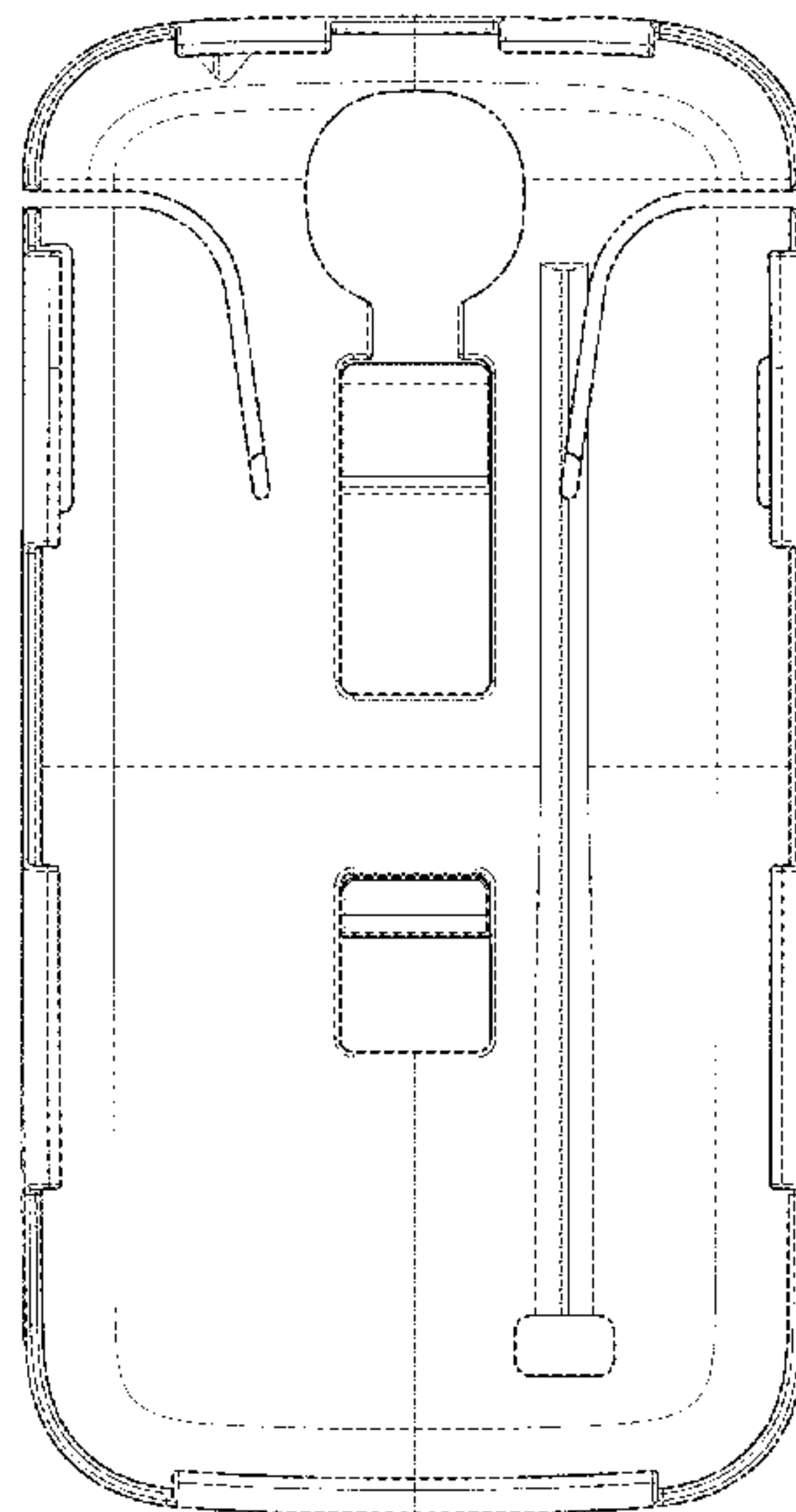
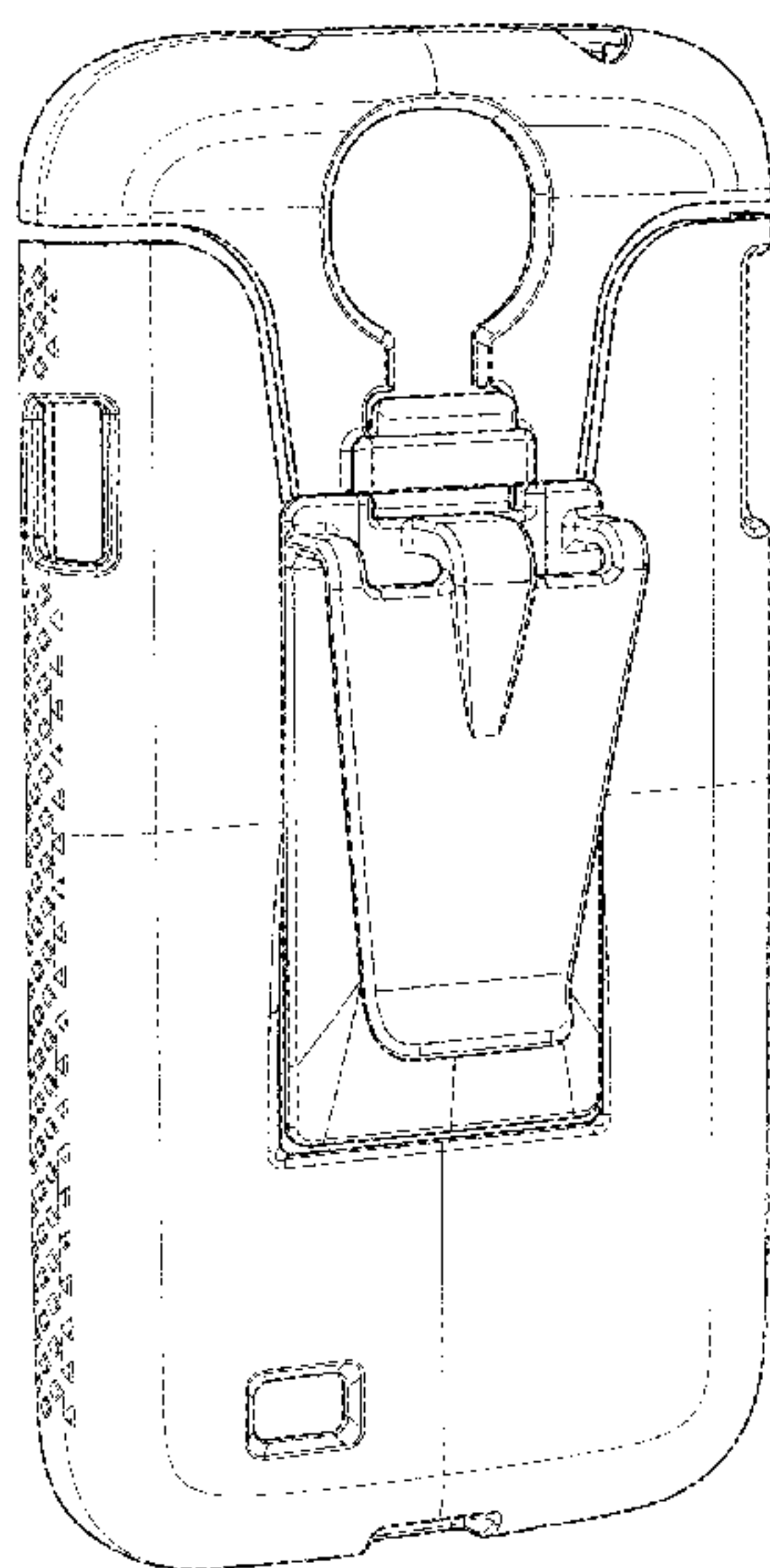
(57) **CLAIM**

The ornamental design for a mobile phone case, as shown and described.

**DESCRIPTION**

FIG. 1 is a front perspective view of a mobile phone case; FIG. 2 is a rear perspective view of the mobile phone case of FIG. 1; FIG. 3 is a front view of the mobile phone case of FIG. 1; FIG. 4 is a rear view of the mobile phone case of FIG. 1; FIG. 5 is a left view of the mobile phone case of FIG. 1; FIG. 6 is a right view of the mobile phone case of FIG. 1; FIG. 7 is a top view of the mobile phone case of FIG. 1; and, FIG. 8 is a bottom view of the mobile phone case of FIG. 1.

**1 Claim, 6 Drawing Sheets**



(56)

## References Cited

## U.S. PATENT DOCUMENTS

2,224,972	A	12/1940	Long et al.	5,787,361	A	7/1998	Chen
2,307,808	A	1/1943	Segal	D399,021	S	9/1998	Lam
2,377,688	A	6/1945	Hubbell	5,827,461	A	10/1998	Feltman
2,530,695	A	11/1950	Helmert	5,853,212	A	12/1998	Daniel
2,542,601	A	2/1951	Van Cleef	5,864,924	A	2/1999	Rodriguez
D165,253	S	11/1951	Ward	5,916,006	A	6/1999	Ganson
2,581,825	A	1/1952	Ah Fong Lau Ah You	5,944,080	A	8/1999	Podwika
3,023,483	A	3/1962	Steiner	D425,226	S	5/2000	Galli
3,214,309	A	10/1965	Di Leo et al.	D426,235	S	6/2000	Phirippidis et al.
3,257,054	A	6/1966	Miesel	6,081,695	A	6/2000	Wallace et al.
3,426,393	A	2/1969	Mead	6,105,923	A	8/2000	Robertson et al.
3,458,862	A	7/1969	Franks	6,113,170	A	9/2000	Daniel
3,543,353	A	12/1970	Meehan	6,114,036	A	9/2000	Rinehart et al.
3,564,667	A	2/1971	Parrick, III et al.	D433,642	S	11/2000	Bauman
3,757,429	A	9/1973	Sumino	D438,536	S	3/2001	Willison et al.
3,768,711	A	10/1973	Wilkinson	6,206,187	B1	3/2001	Van Winkle
3,806,358	A	4/1974	Glander et al.	6,206,542	B1	3/2001	Case et al.
3,906,139	A	9/1975	Hiraoka et al.	6,237,740	B1	5/2001	Weatherall et al.
3,917,387	A	11/1975	Ensing	6,332,052	B1	12/2001	Luther et al.
3,930,288	A	1/1976	Black et al.	D455,419	S	4/2002	Inoue
3,947,927	A	4/1976	Rosenthal	D455,815	S	4/2002	Bonzer
3,960,302	A	6/1976	Mazzoni, Jr.	6,372,344	B1	4/2002	Castellani et al.
3,997,945	A	12/1976	Robins	D465,292	S	11/2002	Ko
4,015,762	A	4/1977	Mendillo	6,473,944	B1	11/2002	Vazin
4,120,437	A	10/1978	Hara	6,478,282	B1	11/2002	Flemming
D250,631	S	12/1978	Stephenson	D466,287	S	12/2002	Tanaka
4,267,768	A	5/1981	Cieslak et al.	6,527,482	B1	3/2003	Stankus
4,463,885	A	8/1984	Ball et al.	6,563,927	B2	5/2003	Mote et al.
4,483,470	A	11/1984	Cousins	6,705,497	B1	3/2004	Schuett
4,484,378	A	11/1984	Kimura et al.	6,742,685	B2	6/2004	Williams
4,488,748	A	12/1984	Burkes	D493,280	S	7/2004	Tabata
4,531,661	A	7/1985	Santy	D499,546	S	12/2004	Smithers
D280,180	S	8/1985	Burt	6,848,663	B2	2/2005	Olive
4,540,006	A	9/1985	Collis	D508,605	S	8/2005	Hwang et al.
4,553,779	A	11/1985	Shortridge	7,011,879	B1	3/2006	Contreras et al.
4,641,454	A	2/1987	Ray et al.	D520,526	S	5/2006	Wuest et al.
4,648,414	A	3/1987	Fox et al.	D523,022	S	6/2006	Peng
4,666,417	A	5/1987	Hillman	D528,539	S	9/2006	McClaude
4,679,387	A	7/1987	Weidenhaupt et al.	D531,339	S	10/2006	Lee et al.
4,699,303	A	10/1987	Kline	7,123,801	B2	10/2006	Fitz
4,753,355	A	6/1988	Hall et al.	D533,994	S	12/2006	Hussaini et al.
4,761,053	A	8/1988	Cogelia et al.	D534,004	S	12/2006	Waniga
4,817,837	A	4/1989	Grover	D536,116	S	1/2007	Sharrah
4,834,118	A	5/1989	Goeller	7,192,069	B1	3/2007	Daniel
4,856,689	A	8/1989	Shore	7,250,213	B2	7/2007	Duncan
4,867,478	A	9/1989	Anderson	D565,290	S	4/2008	Brandenburg et al.
D304,270	S	10/1989	Goldman	7,357,540	B2	4/2008	Booty, Jr.
4,915,996	A	4/1990	Curry	7,377,828	B2	5/2008	Cheung
D308,205	S	5/1990	Tholberg	D570,844	S	6/2008	Liu et al.
D310,909	S	10/1990	Bradtl	D574,819	S	8/2008	Andre et al.
D317,611	S	6/1991	Poe	D575,056	S	8/2008	Tan
5,054,299	A	10/1991	Maveety	D579,009	S	10/2008	Su et al.
5,056,820	A	10/1991	Des Prez	D580,437	S	11/2008	Kiyomiya et al.
D323,826	S	2/1992	Suzuki et al.	D586,795	S	2/2009	Richter
5,104,017	A	4/1992	Vandagriff	D587,708	S	3/2009	Yoshida et al.
5,154,964	A	10/1992	Iwai et al.	D588,735	S	3/2009	Woodard
5,178,354	A	1/1993	Engvall	D591,044	S	4/2009	Lakhiani
5,190,336	A	3/1993	Palz	7,516,575	B2	4/2009	Cuccurullo
5,199,135	A	4/1993	Gold	D592,341	S	5/2009	Fan
5,234,370	A	8/1993	Shapero et al.	D593,750	S	6/2009	Song
5,310,376	A	5/1994	Mayuzumi et al.	D594,224	S	6/2009	Leung et al.
5,342,687	A	8/1994	Iwai et al.	D597,089	S *	7/2009	Khan et al. .... D14/250
D354,620	S	1/1995	King et al.	D597,298	S	8/2009	Lown et al.
5,437,401	A	8/1995	Seltzer	7,571,837	B2	8/2009	Orlowski
5,468,036	A	11/1995	Brown	D600,852	S	9/2009	Clepper et al.
5,498,190	A	3/1996	Ganson	7,609,512	B2	10/2009	Richardson et al.
D372,358	S	8/1996	Mathison	D603,389	S *	11/2009	Khan et al. .... D14/250
5,590,422	A	1/1997	Henderson	D603,603	S	11/2009	Laine et al.
D377,798	S	2/1997	Heine	D606,311	S	12/2009	Lown et al.
5,607,748	A	3/1997	Feltman	D606,312	S	12/2009	Lown et al.
D379,542	S	5/1997	Egashira	D606,739	S	12/2009	Fahrendorff et al.
5,664,589	A	9/1997	Black	7,630,745	B2	12/2009	Chen et al.
5,711,143	A	1/1998	Munakata et al.	D609,226	S	2/2010	Hofer et al.
5,714,211	A	2/1998	Zinbarg et al.	D609,460	S	2/2010	Riccardi
5,769,994	A	6/1998	Booz et al.	D609,853	S	2/2010	Salatto-Rose
				D610,135	S	2/2010	Hofer et al.
				7,661,620	B2	2/2010	Fields
				7,683,275	B2	3/2010	Moore et al.
				D613,498	S	4/2010	Tsai



(56)

References Cited

U.S. PATENT DOCUMENTS

D614,402 S 4/2010 Lown et al.  
 D615,078 S 5/2010 Bradley  
 D616,292 S 5/2010 Martinson  
 D616,361 S 5/2010 Huang  
 D617,093 S 6/2010 Pedersen et al.  
 D619,361 S 7/2010 Andre et al.  
 7,757,913 B2 7/2010 Fichera  
 D620,931 S 8/2010 Opman  
 D622,429 S 8/2010 Jones  
 D623,180 S 9/2010 Diebel  
 D625,303 S 10/2010 Kim  
 D628,534 S 12/2010 Daniel  
 D628,798 S 12/2010 Kalbach  
 D629,404 S 12/2010 Wu et al.  
 D630,848 S 1/2011 Long et al.  
 D630,936 S 1/2011 Carney  
 D631,058 S 1/2011 Chin et al.  
 7,901,148 B2 3/2011 Zunker  
 D635,555 S 4/2011 Giles  
 D637,592 S 5/2011 Magness et al.  
 D638,005 S 5/2011 Richardson et al.  
 D638,828 S 5/2011 Melanson et al.  
 7,980,435 B2 7/2011 Tages  
 D643,029 S 8/2011 Feng  
 D644,168 S 8/2011 Bishay et al.  
 D644,428 S \* 9/2011 Feng ..... D3/218  
 8,033,678 B2 10/2011 Patterson  
 D648,332 S 11/2011 Kim et al.  
 D649,347 S 11/2011 Smith et al.  
 D649,537 S 11/2011 Magness et al.  
 D649,539 S 11/2011 Hong  
 D650,371 S 12/2011 Wibby et al.  
 D651,204 S 12/2011 Wibby et al.  
 D652,825 S 1/2012 Bau  
 D654,069 S 2/2012 Kwon et al.  
 D654,914 S 2/2012 Martin  
 D655,081 S 3/2012 Maravilla et al.  
 D657,782 S \* 4/2012 Biller ..... D14/250  
 D658,169 S 4/2012 Mo  
 D660,857 S 5/2012 Emami  
 8,204,561 B2 6/2012 Mongan et al.  
 D662,925 S 7/2012 Mayberry et al.  
 D663,263 S 7/2012 Gupta et al.  
 D663,725 S 7/2012 Polito  
 D669,062 S 10/2012 Rothbaum et al.  
 D669,618 S 10/2012 Ormsbee et al.  
 D669,619 S 10/2012 Ormsbee et al.  
 8,286,789 B2 10/2012 Wilson et al.  
 8,297,440 B2 10/2012 Schmidt et al.  
 D670,279 S 11/2012 Veltz et al.  
 8,316,611 B2 11/2012 Ellis et al.  
 D672,735 S 12/2012 Barley et al.  
 D672,754 S 12/2012 Inada  
 D675,014 S \* 1/2013 Adelman et al. .... D3/218  
 8,356,736 B2 1/2013 Musgrave  
 D675,605 S \* 2/2013 Adelman et al. .... D14/250  
 D675,606 S \* 2/2013 Adelman et al. .... D14/250  
 D678,755 S 3/2013 Weidemann et al.  
 8,387,216 B1 3/2013 Martinson  
 D679,701 S 4/2013 Adelman et al.  
 D681,612 S 5/2013 Palacios  
 D683,136 S 5/2013 Wilson et al.  
 8,443,971 B1 \* 5/2013 Green et al. .... 206/320  
 D684,358 S 6/2013 Pegg  
 D685,990 S 7/2013 Zhang  
 D690,292 S 9/2013 Bibla et al.  
 8,616,422 B2 12/2013 Adelman et al.  
 2002/0028336 A1 3/2002 Jaccoud  
 2002/0118535 A1 8/2002 Nostrant  
 2003/0019894 A1 1/2003 Caldana

2003/0103624 A1 6/2003 Hu  
 2004/0089688 A1 5/2004 Perez  
 2005/0035161 A1 2/2005 Shioda  
 2005/0093205 A1 5/2005 Martin et al.  
 2005/0211357 A1 9/2005 Ren  
 2005/0274211 A1 12/2005 Edgman  
 2005/0274425 A1 12/2005 Ostrander et al.  
 2006/0058070 A1 3/2006 Chang  
 2007/0163904 A1 \* 7/2007 Martin et al. .... 206/316.1  
 2008/0096620 A1 4/2008 Lee et al.  
 2008/0124544 A1 5/2008 Alexander et al.  
 2008/0127460 A1 6/2008 Severen et al.  
 2008/0223389 A1 9/2008 Harvie  
 2008/0254281 A1 10/2008 Chen et al.  
 2009/0000086 A1 1/2009 Bing  
 2009/0045310 A1 2/2009 Koesema, Jr.  
 2009/0095854 A1 4/2009 Forbes et al.  
 2009/0140016 A1 6/2009 Case et al.  
 2010/0021155 A1 1/2010 Orzeck et al.  
 2010/0115732 A1 5/2010 Honeycutt  
 2010/0203931 A1 8/2010 Hyncek et al.  
 2010/0224519 A1 9/2010 Kao  
 2010/0294908 A1 11/2010 Mish et al.  
 2010/0300909 A1 \* 12/2010 Hung ..... 206/320  
 2011/0031287 A1 2/2011 Le Gette et al.  
 2011/0203954 A1 \* 8/2011 Kroupa ..... 206/320  
 2011/0228459 A1 9/2011 Richardson et al.  
 2011/0286217 A1 11/2011 Martinson et al.  
 2012/0074006 A1 \* 3/2012 Monaco et al. .... 206/320  
 2012/0088558 A1 \* 4/2012 Song ..... 455/575.1  
 2013/0026316 A1 1/2013 Case et al.  
 2013/0032617 A1 \* 2/2013 Adelman et al. .... 224/191  
 2013/0118932 A1 5/2013 Green et al.  
 2013/0126531 A1 \* 5/2013 Hyncek et al. .... 220/315  
 2013/0174382 A1 7/2013 Martinson  
 2014/0076750 A1 \* 3/2014 Monaco et al. .... 206/216

OTHER PUBLICATIONS

U.S. Appl. No. 12/247,523 Non-Final Office Action dated Jan. 31, 2012, 7 pages.  
 U.S. Appl. No. 12/247,523 Non-Final Office Action dated Jul. 13, 2011, 9 pages.  
 U.S. Appl. No. 13/196,725 Non-Final Office Action dated Dec. 3, 2013, 6 pages.  
 U.S. Appl. No. 13/196,762 Non-Final Office Action dated Mar. 26, 2013, 13 pages.  
 U.S. Appl. No. 13/784,455 Final Office Action dated Nov. 8, 2013, 11 pages.  
 U.S. Appl. No. 13/784,455 Non-Final Office Action dated May 22, 2013, 9 pages.  
 U.S. Appl. No. 29/433,070 Non-Final Office Action dated Mar. 24, 2014, 7 pages.  
 Acor Volara 4E foam padding, <URL:http://www.acor.com/volara.htm>, retrieved from Internet on Nov. 15, 2012.  
 ACOR, ACPR present Volara 4E, Mar. 2, 2008; http://acor.com/volara.htm.  
 Cruzelite Razr Maxx case review, posted on Oct. 3, 2012, <URL:http://forums.androidcentral.com/droid-razr-maxx/213784-cruzerlite-razr-maxx-case-review.html>, retrieved from Internet on Nov. 14, 2012.  
 International Search Report dated Dec. 9, 2011, in related PCT Application No. PCT/US2011/046304, 3 pages.  
 International Search Report dated Oct. 18, 2012, in co-pending PCT Application No. PCT/US12/49309, 4 pages.  
 Nite Ize Connect Mobile Mount, Posted Aug. 10, 2012, by Daniel Turk, <URL:http://www.maclife.com/article/reviews/best\_case\_scenario\_nite\_ize\_connect\_case\_and\_mobile\_mount>, retrieved from Internet on Nov. 14, 2012.

\* cited by examiner

FIG. 1

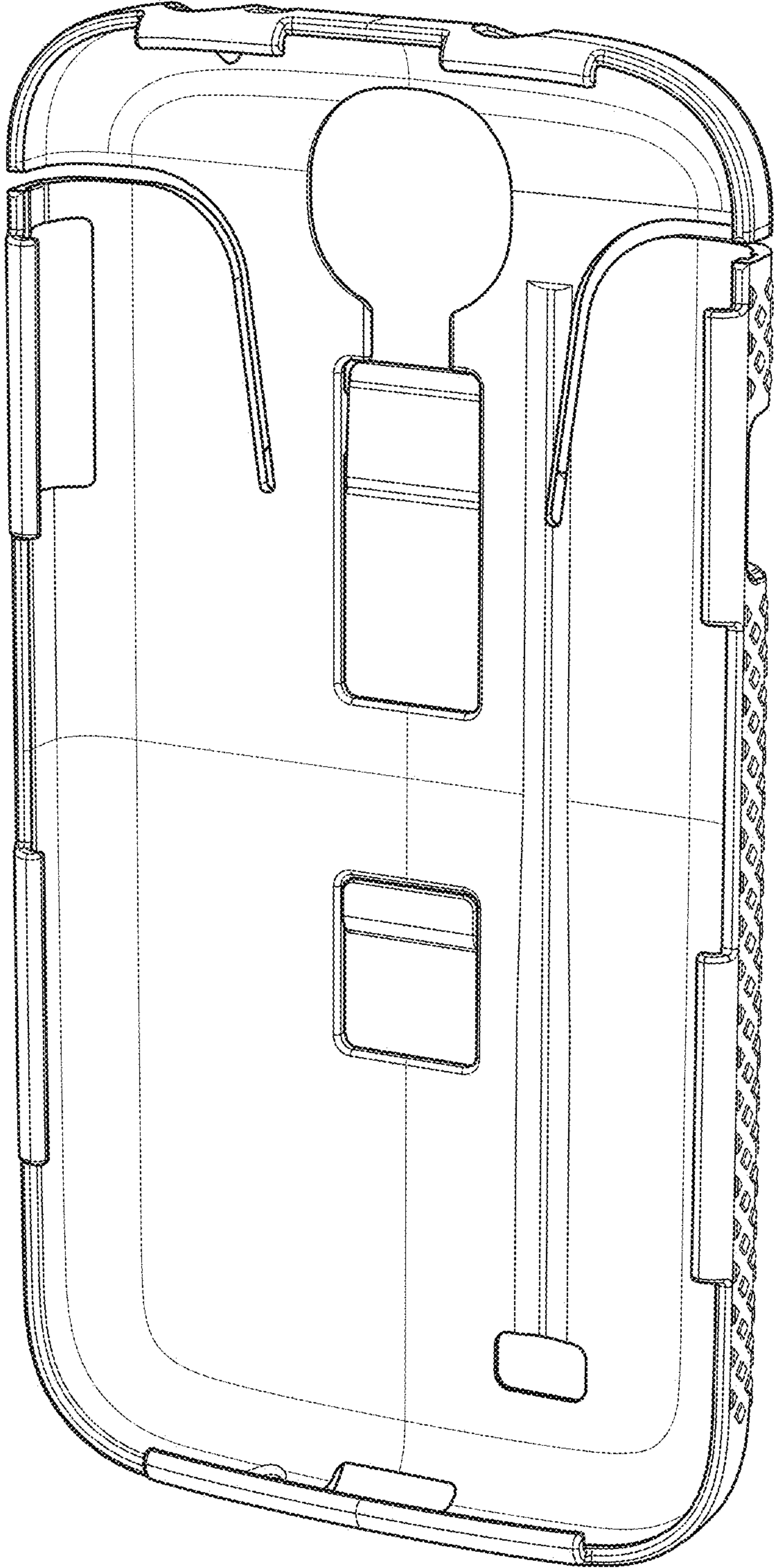




FIG. 2

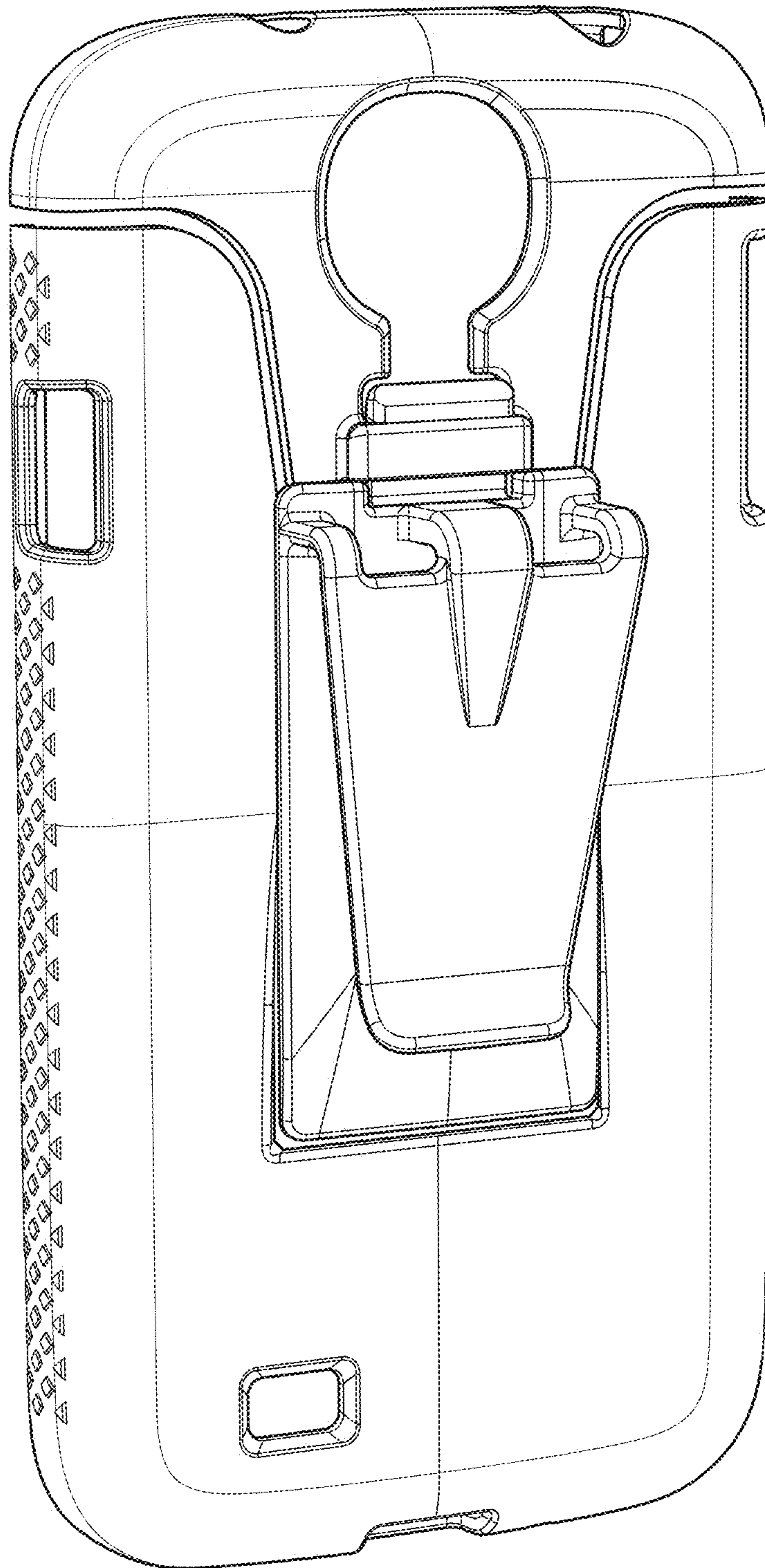


FIG. 3

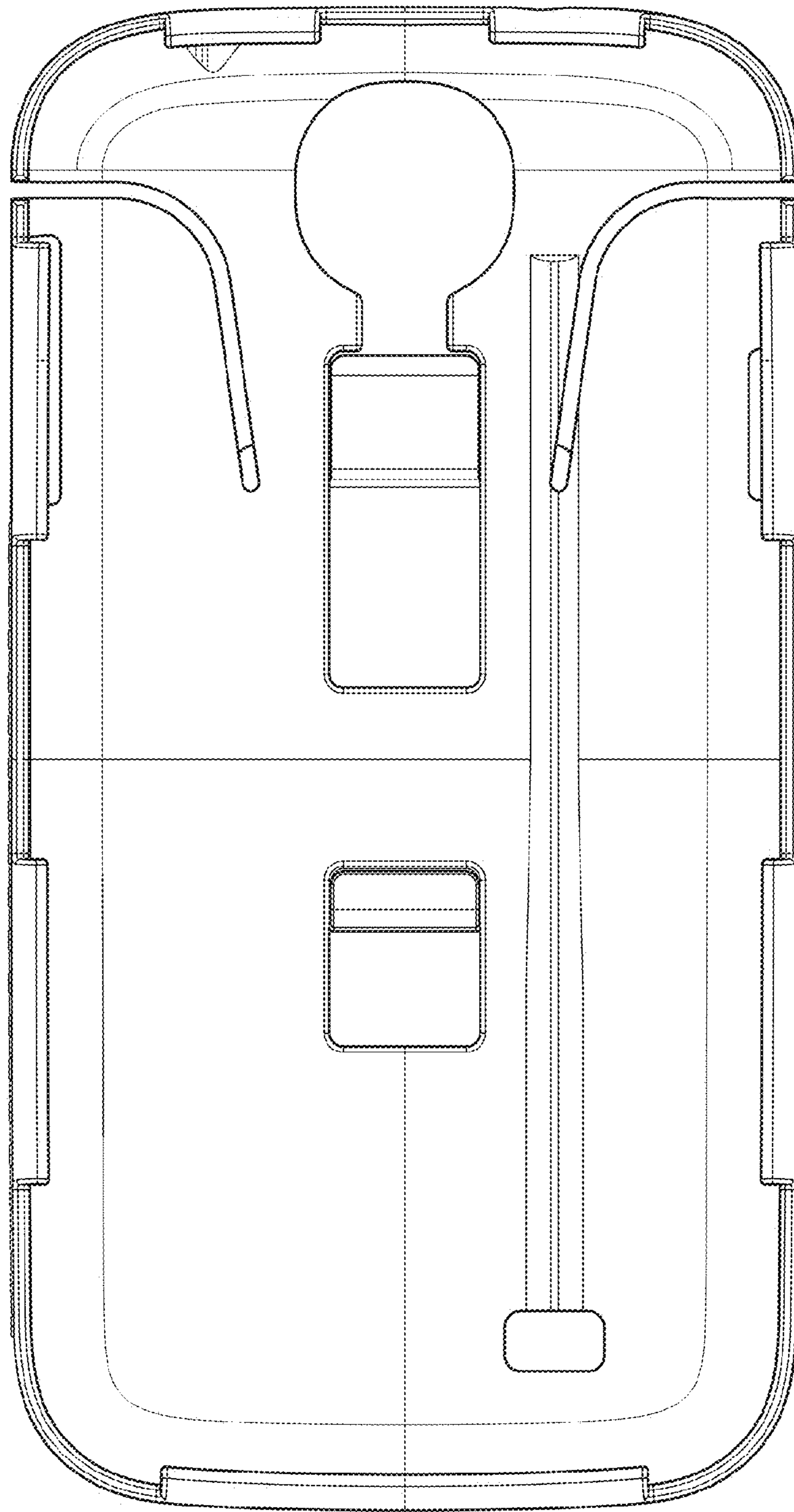
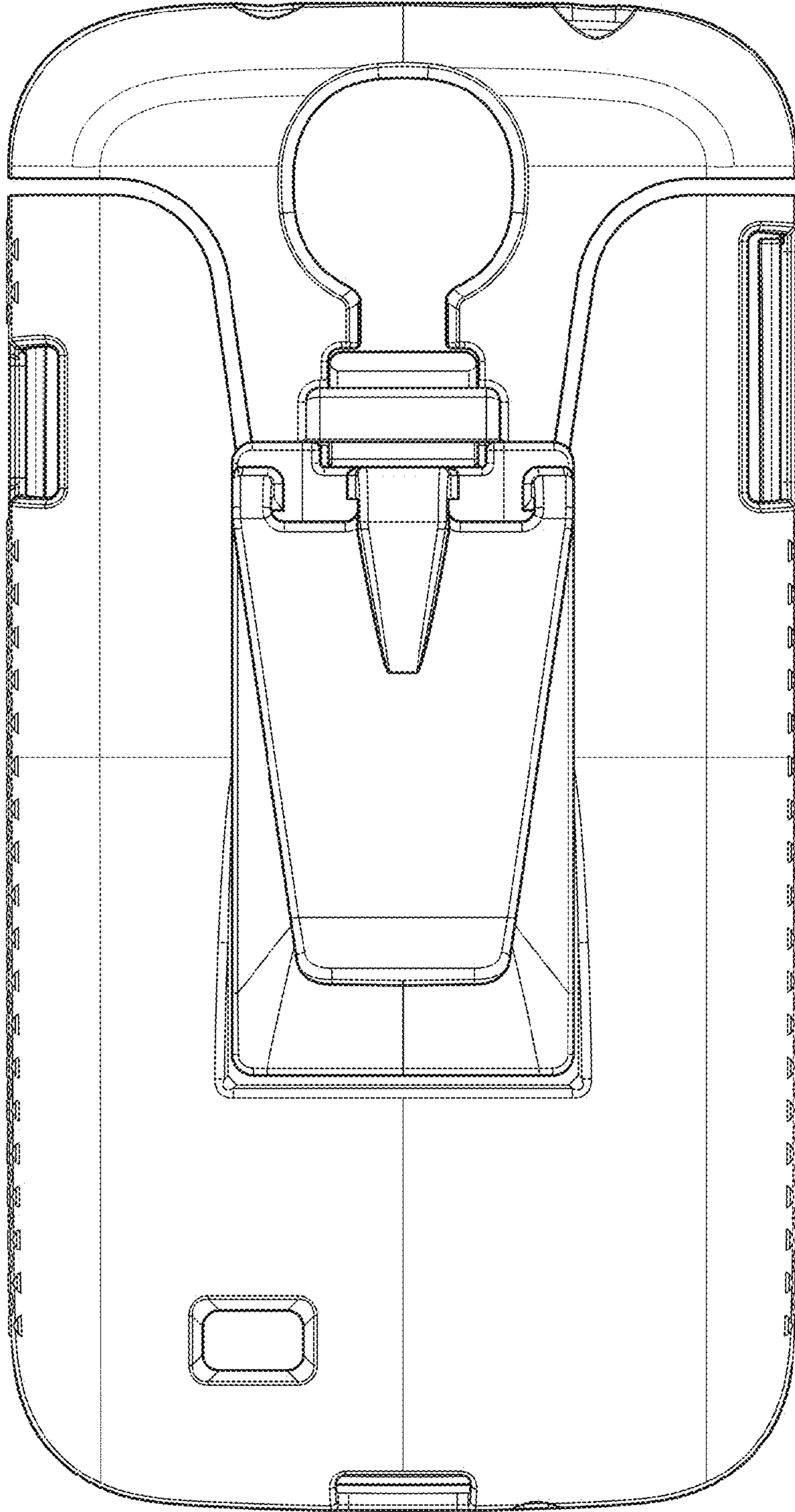
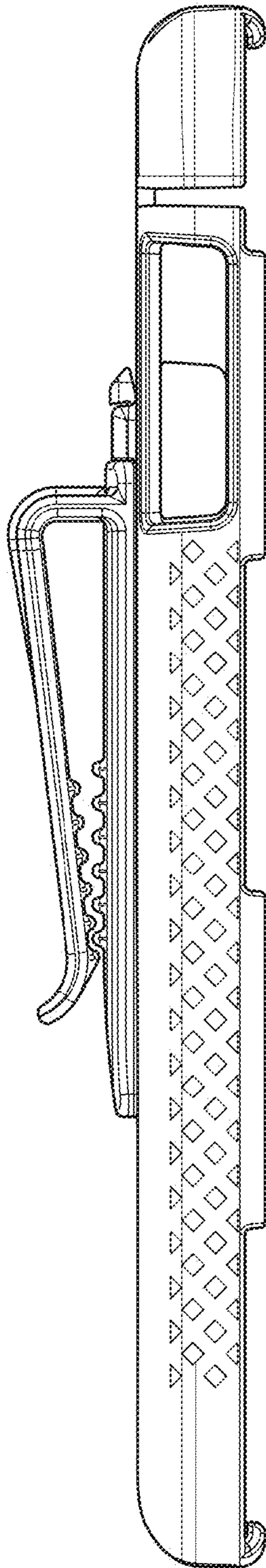


FIG. 4

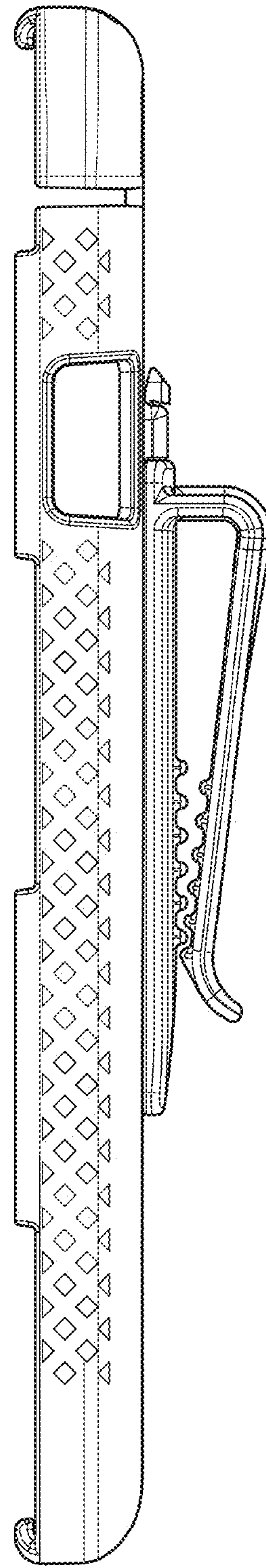




**FIG. 5**

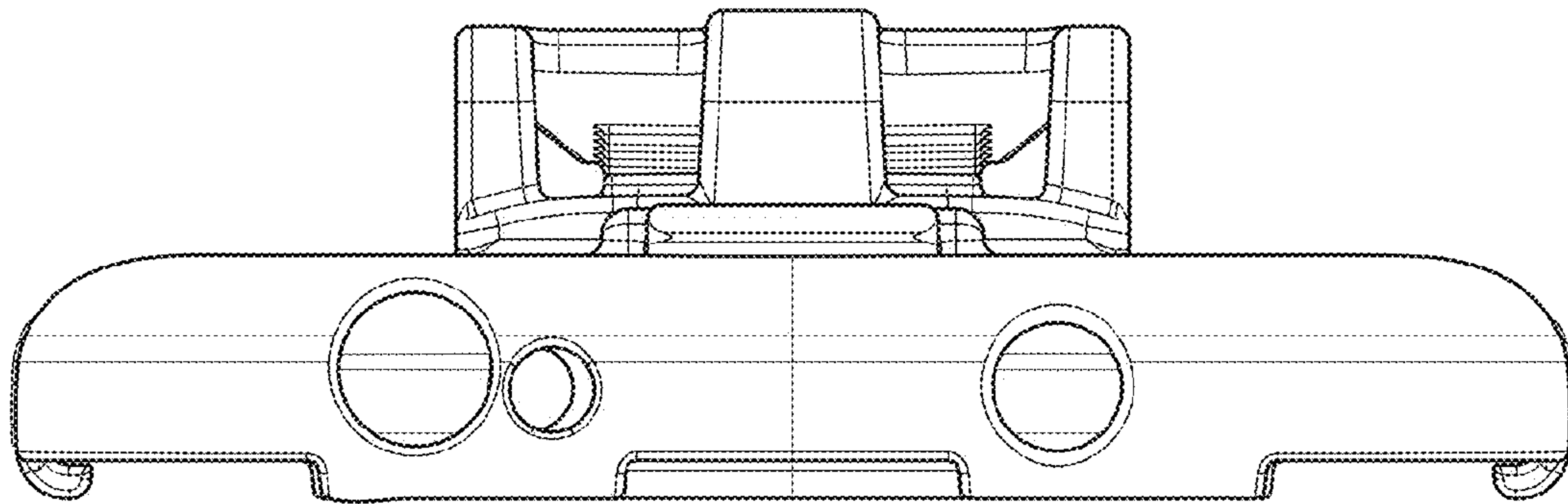


**FIG. 6**





**FIG. 7**



**FIG. 8**

