



US00D714267S

(12) **United States Design Patent**
Kallas et al.

(10) **Patent No.:** **US D714,267 S**
(45) **Date of Patent:** **** Sep. 30, 2014**

(54) **HOLDER FOR MUSIC ACCESSORIES**

(71) Applicants: **Ryan Kallas**, Bainbridge Island, WA (US); **J. Herschel Blankenship**, Bainbridge Island, WA (US)

(72) Inventors: **Ryan Kallas**, Bainbridge Island, WA (US); **J. Herschel Blankenship**, Bainbridge Island, WA (US)

(73) Assignee: **Access Products, LLC**, Bainbridge, WA (US)

(**) Term: **14 Years**

(21) Appl. No.: **29/421,803**

(22) Filed: **Sep. 26, 2012**

(51) **LOC (10) Cl.** **14-01**

(52) **U.S. Cl.**
USPC **D14/229**

(58) **Field of Classification Search**
USPC D14/224, 225, 226, 229; D8/355, 394, D8/396; D16/248; D17/22; 84/730; 248/55, 57, 183.1, 183.2, 278.11, 248/229.12, 229.15, 229.25, 289.31, 278.1; 381/365, 368

See application file for complete search history.

(56) **References Cited**

U.S. PATENT DOCUMENTS

2,298,176	A *	10/1942	Schwartz	403/77
3,278,207	A *	10/1966	Barish et al.	403/55
D268,672	S *	4/1983	McPherson	D14/229
D278,233	S *	4/1985	Hardy	D14/229
4,647,434	A *	3/1987	Ayers et al.	422/144
D289,835	S *	5/1987	Schoenig et al.	D6/462
5,118,058	A *	6/1992	Richter	248/183.2
D432,812	S *	10/2000	Rivera	D6/419
D450,339	S *	11/2001	Eason	D16/244
6,328,270	B1 *	12/2001	Elberbaum	248/288.31
6,375,135	B1 *	4/2002	Eason et al.	248/166
D464,953	S *	10/2002	Lenz et al.	D14/229
D464,954	S *	10/2002	Lenz et al.	D14/229

D464,955	S *	10/2002	Lenz et al.	D14/229
6,588,716	B1 *	7/2003	Heid	248/125.8
6,595,704	B2 *	7/2003	Ambrose	396/428
6,922,475	B2 *	7/2005	Hsieh	381/368
D519,990	S *	5/2006	Lazor	D14/229
7,100,881	B2 *	9/2006	Worrall	248/278.1
D579,928	S *	11/2008	Murata	D14/229
D581,907	S *	12/2008	Crous	D14/229
D617,781	S *	6/2010	Kallas et al.	D14/226
D618,222	S *	6/2010	Kallas et al.	D14/229
8,342,468	B1 *	1/2013	Strickland	248/311.2
8,398,315	B2 *	3/2013	Johnson	396/422
8,571,250	B2 *	10/2013	Royer et al.	381/368
8,609,970	B2 *	12/2013	May	84/723

(Continued)

Primary Examiner — Thomas Johannes

Assistant Examiner — Holly E Thurman

(74) *Attorney, Agent, or Firm* — J. Bennett Mullinax LLC

(57) **CLAIM**

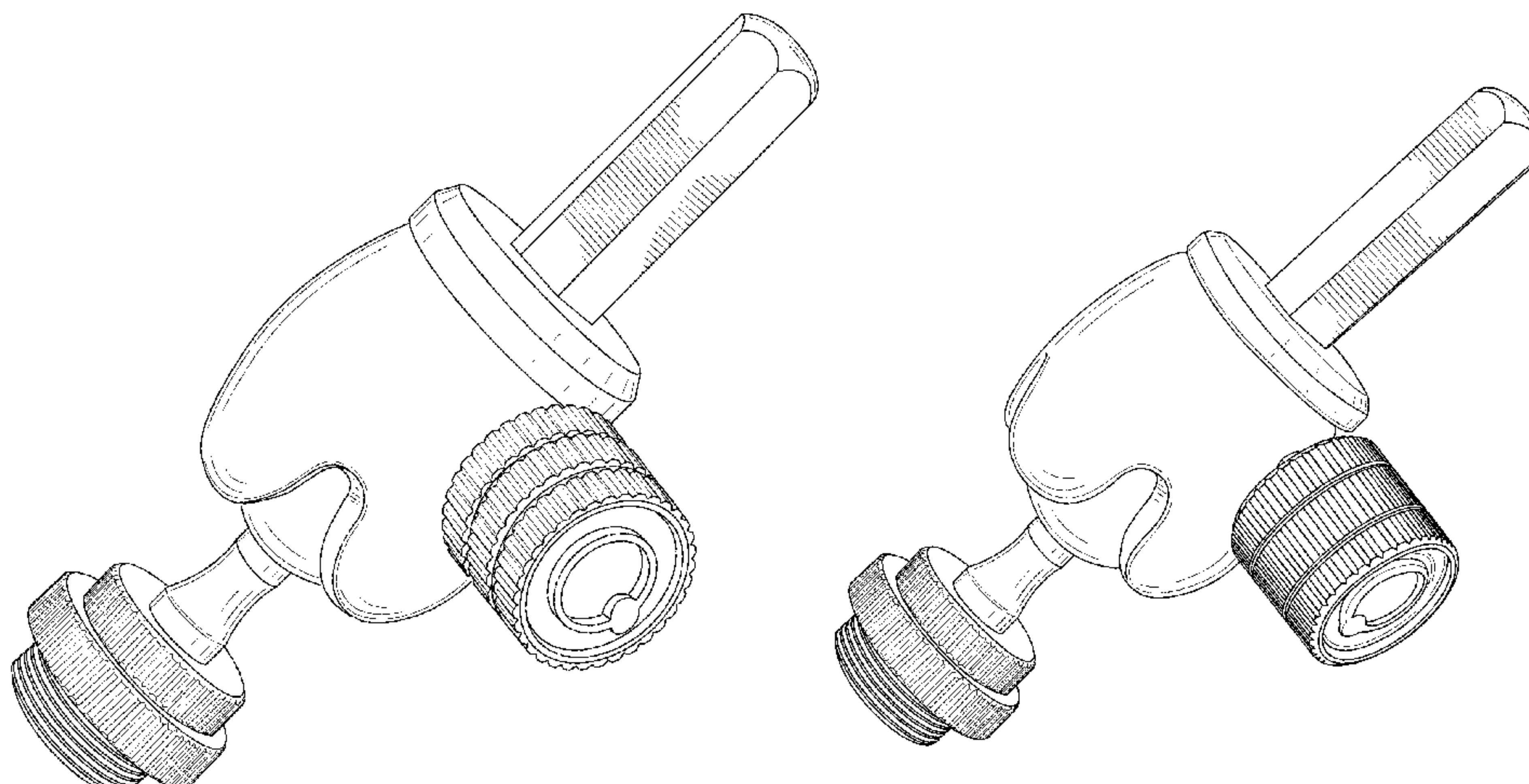
The ornamental design for a holder for music accessories, as shown and described.

DESCRIPTION

FIG. 1 is a front view of a holder for music accessories showing our new design;
 FIG. 2 is a back view thereof;
 FIG. 3 is a right side view thereof;
 FIG. 4 is a left side view thereof;
 FIG. 5 is a top view thereof;
 FIG. 6 is a bottom view thereof;
 FIG. 7 is a top perspective view thereof;
 FIG. 8 is a front view of an alternate usage configuration;
 FIG. 9 is a back view thereof;
 FIG. 10 is a right side view thereof;
 FIG. 11 is a left side view thereof;
 FIG. 12 is a top view thereof;
 FIG. 13 is a bottom view thereof; and,
 FIG. 14 is a top perspective view thereof.

The broken lines shown in the drawing disclosure are for illustrative purposes only and form no part of the claimed design.

1 Claim, 14 Drawing Sheets



(56)

References Cited

U.S. PATENT DOCUMENTS

2003/0035561	A1*	2/2003	Hsieh	381/361			
2007/0080268	A1*	4/2007	Worrell	248/177.1			
2009/0039215	A1*	2/2009	Hilderman et al.	248/187.1			
2011/0020055	A1*	1/2011	Kallas et al.	403/115			
2011/0072956	A1*	3/2011	Wall	89/1.11			
2013/0264450	A1*	10/2013	Bigeh	248/288.31			

* cited by examiner

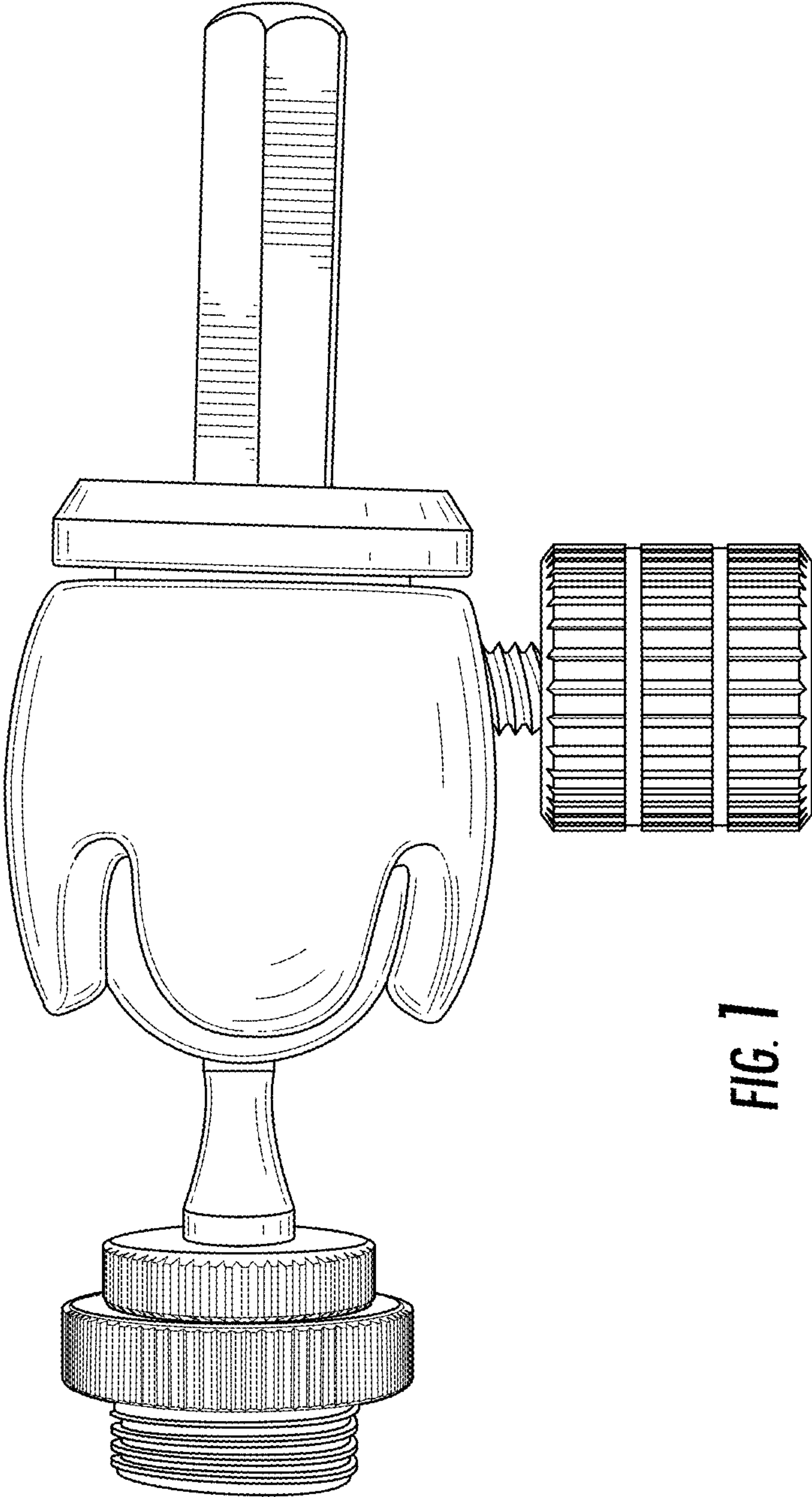


FIG. 1

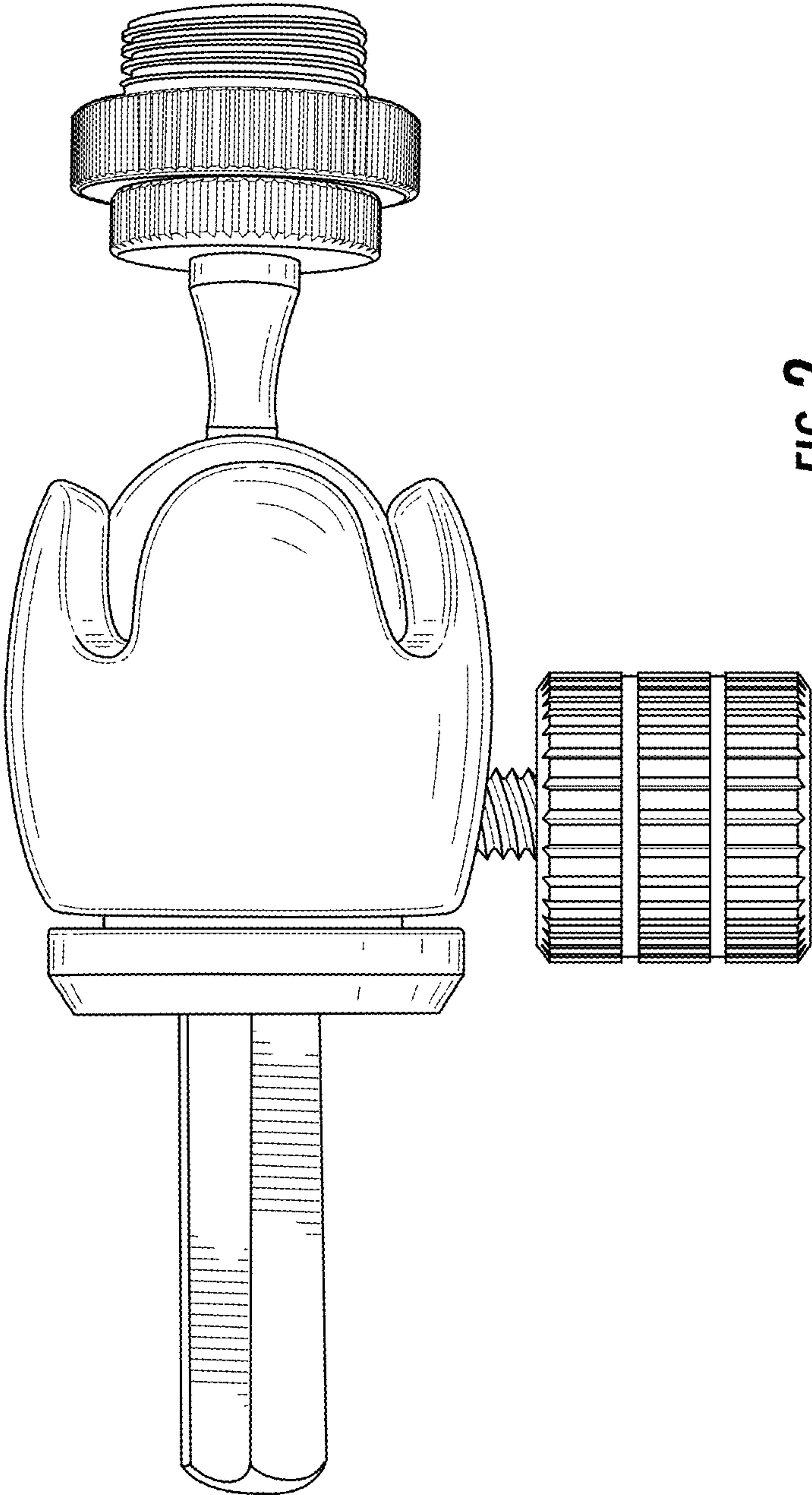


FIG. 2

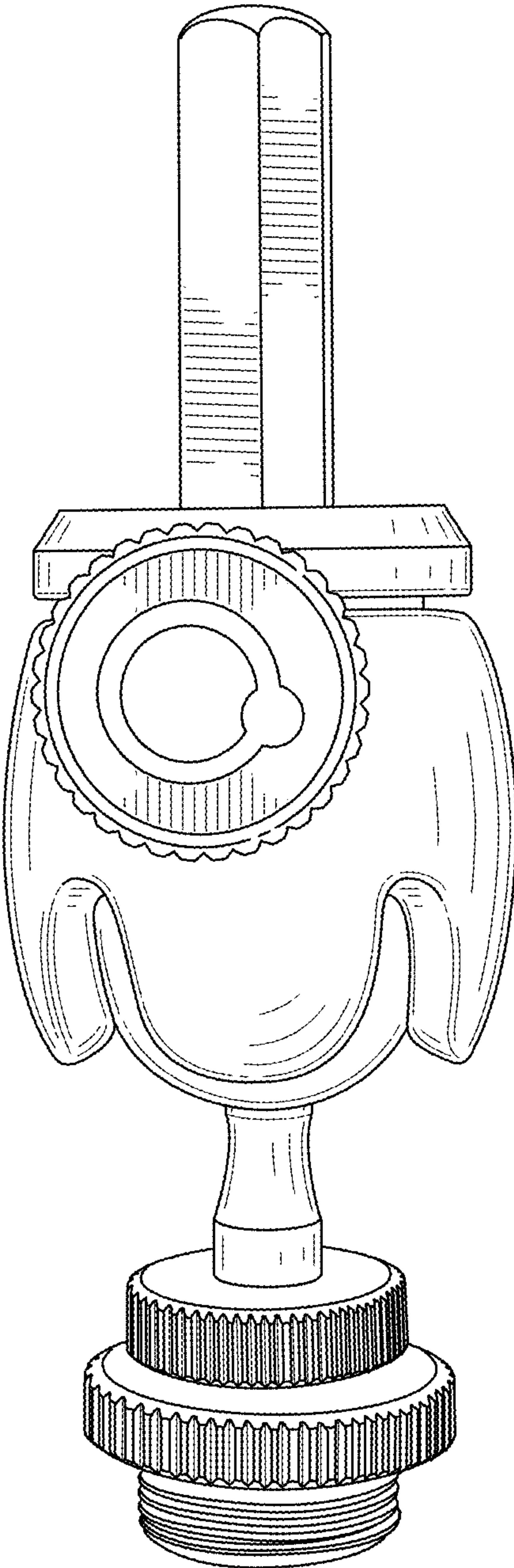


FIG. 3

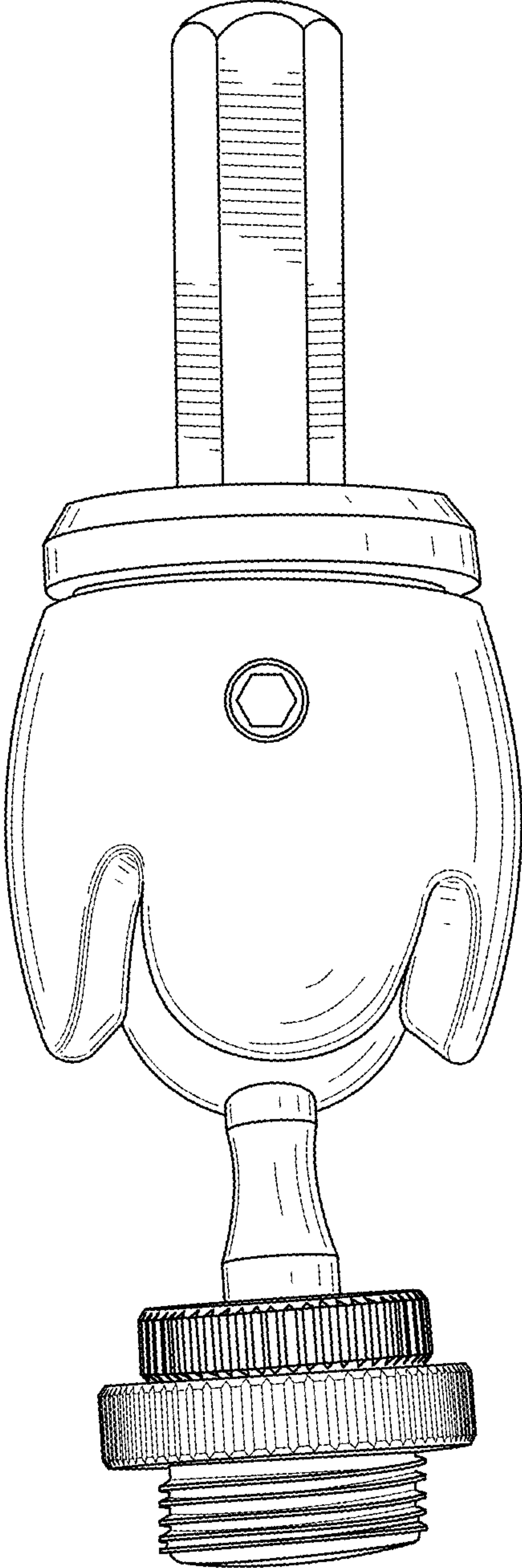


FIG. 4

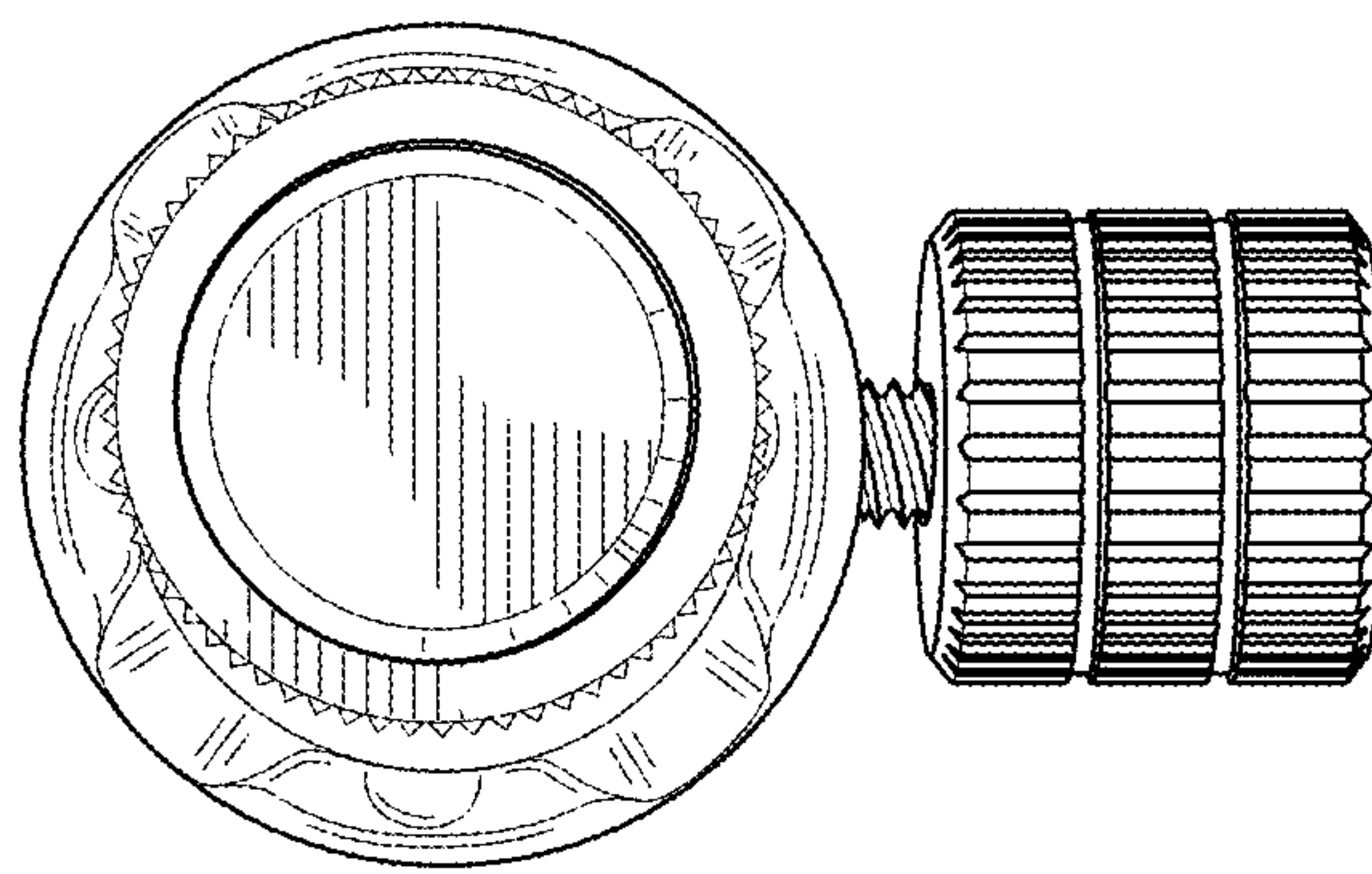


FIG. 5

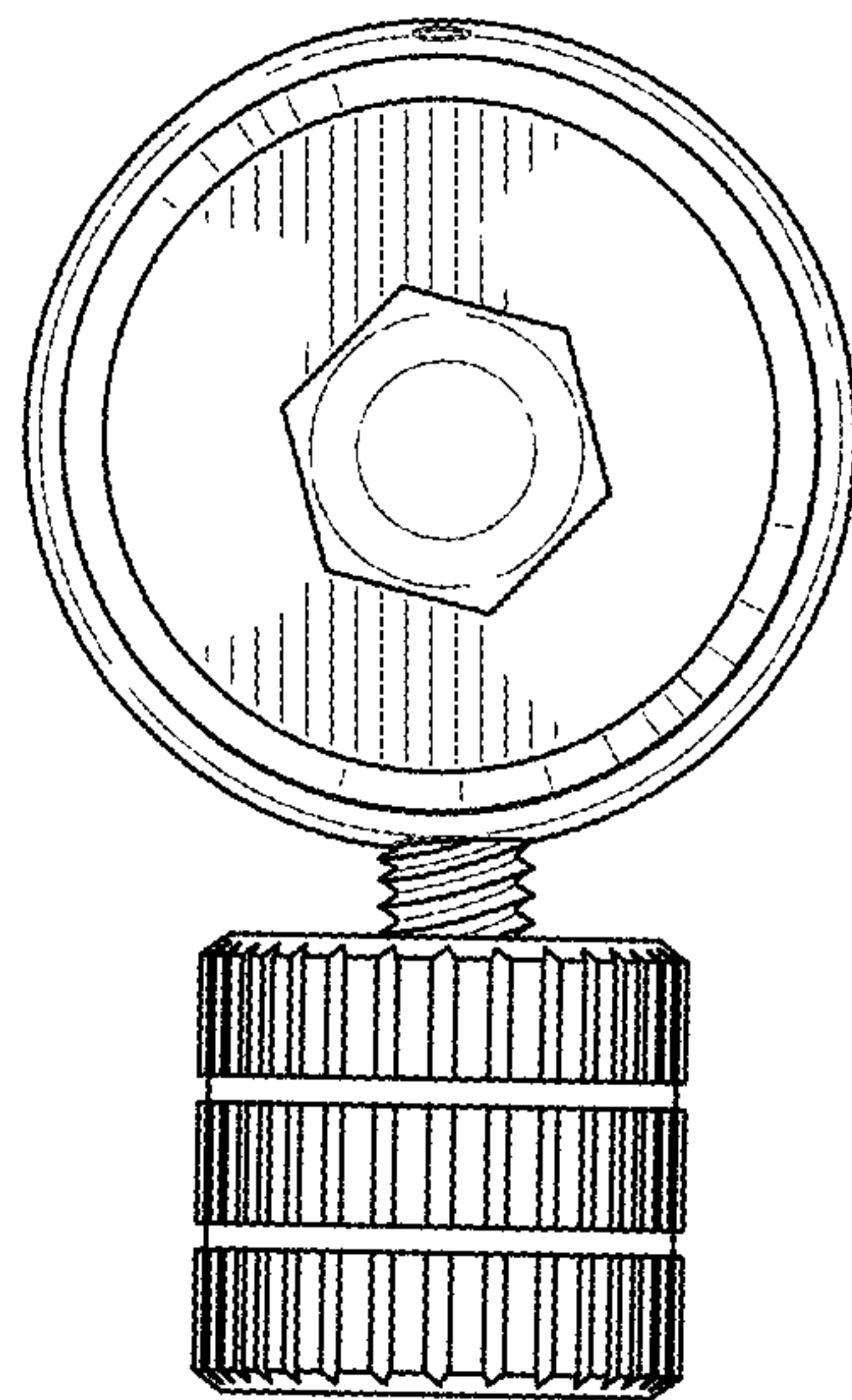


FIG. 6

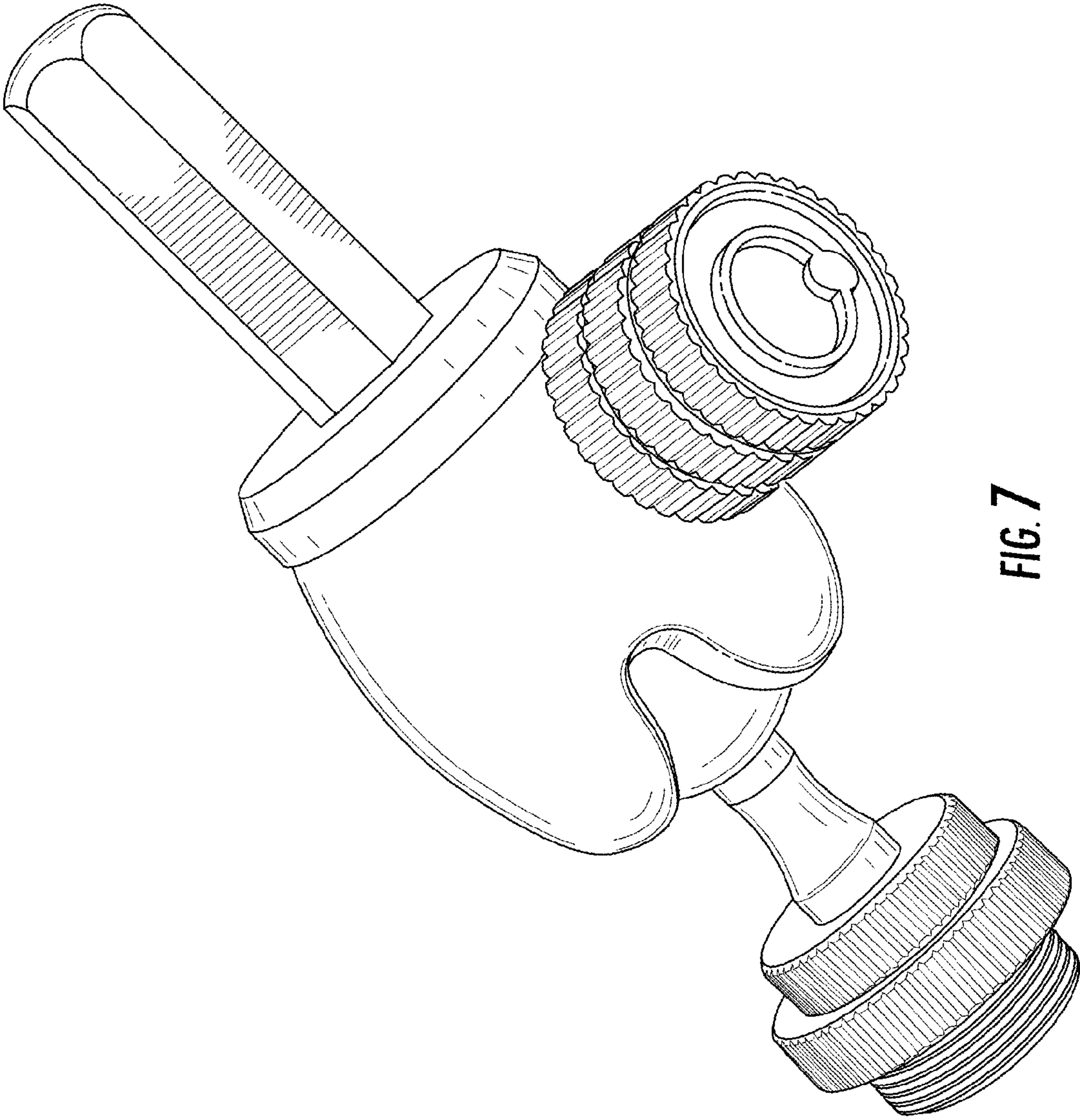


FIG. 7

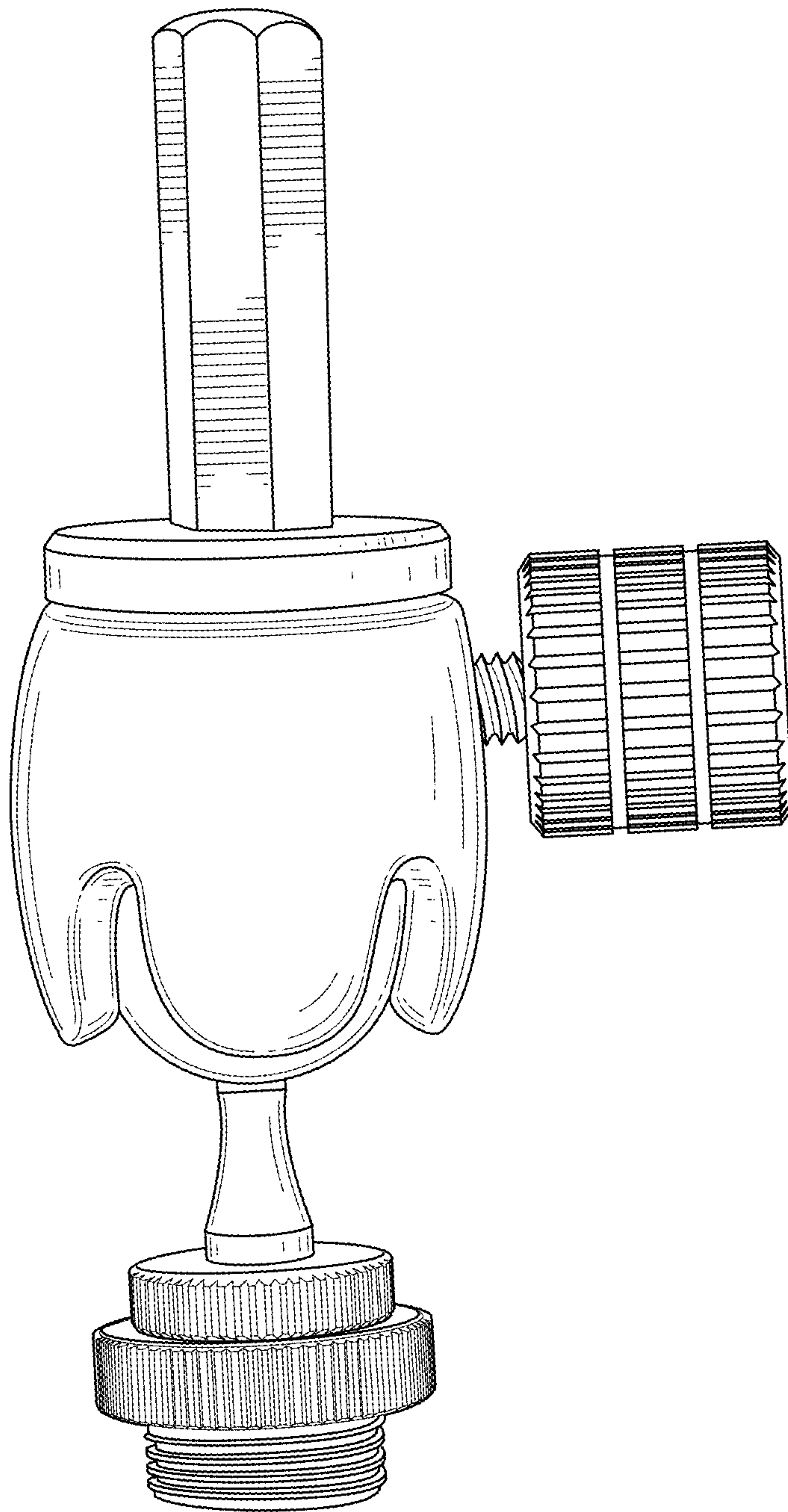


FIG. 8

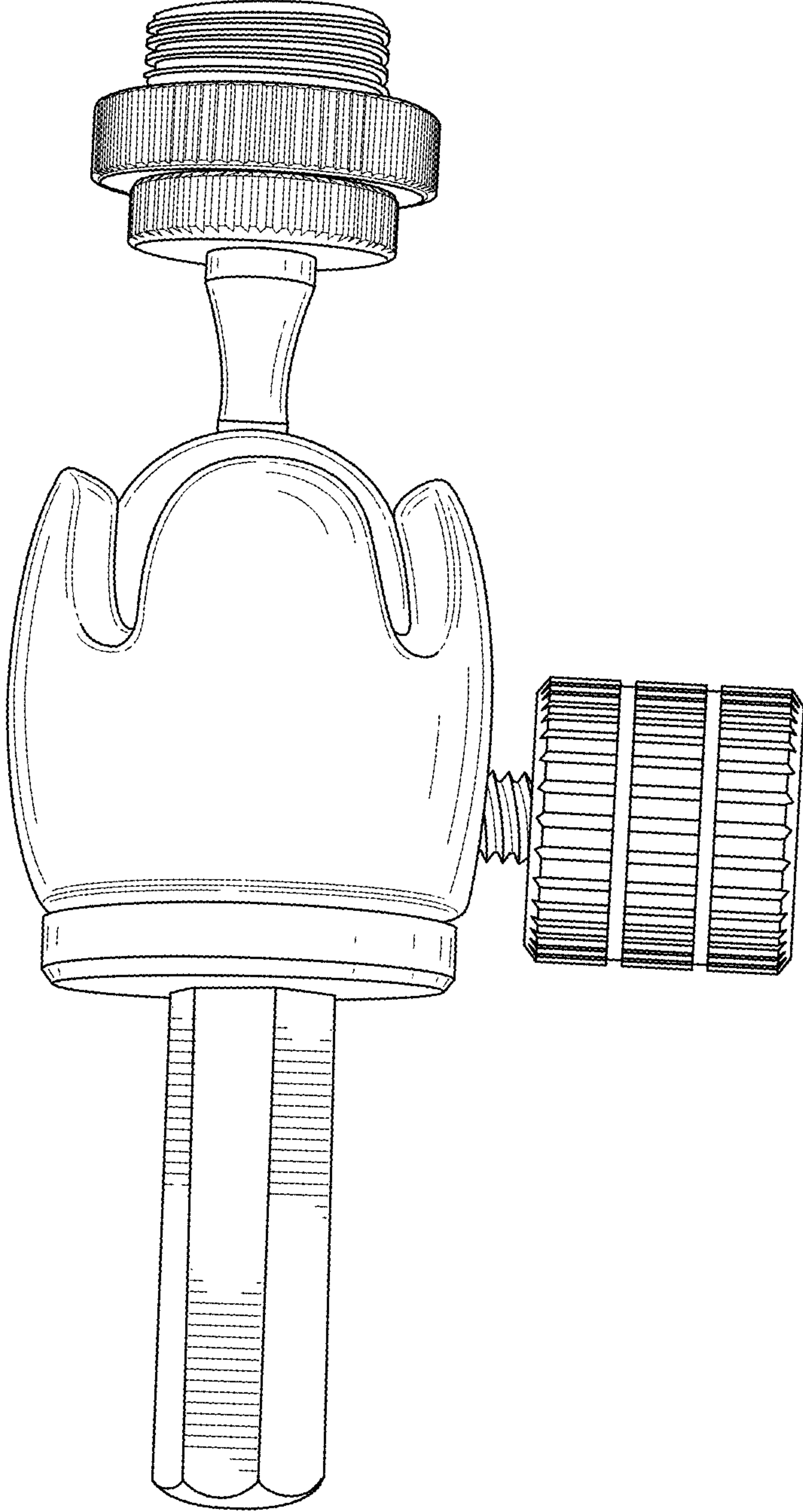


FIG. 9

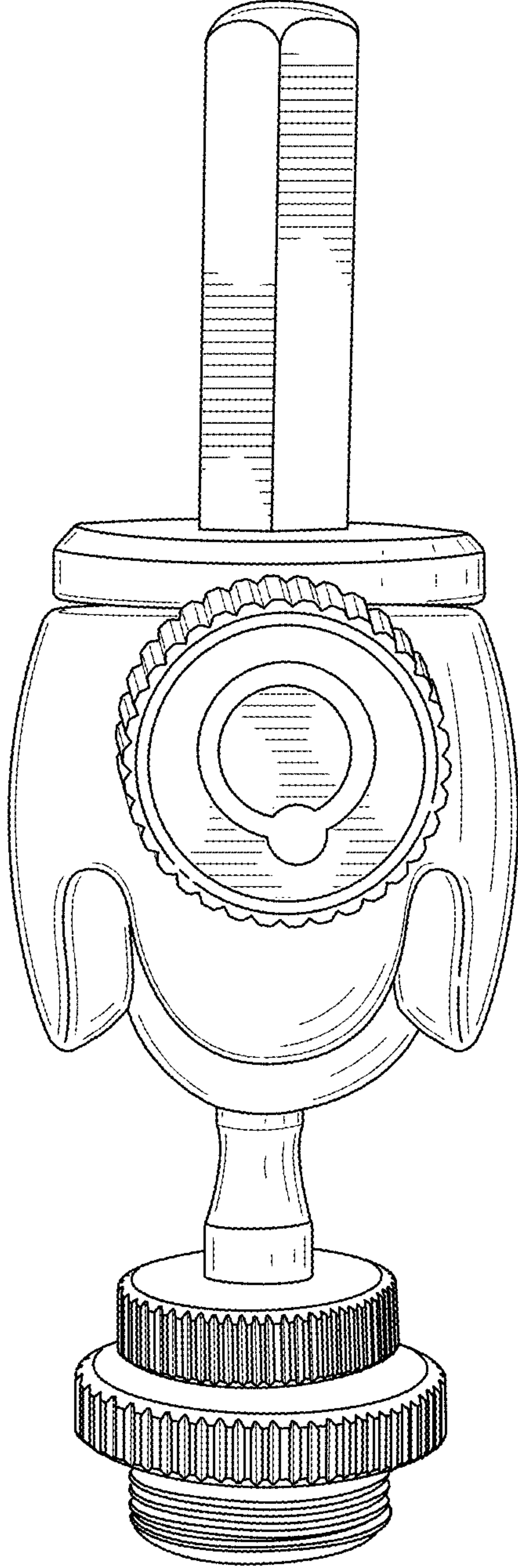


FIG. 10

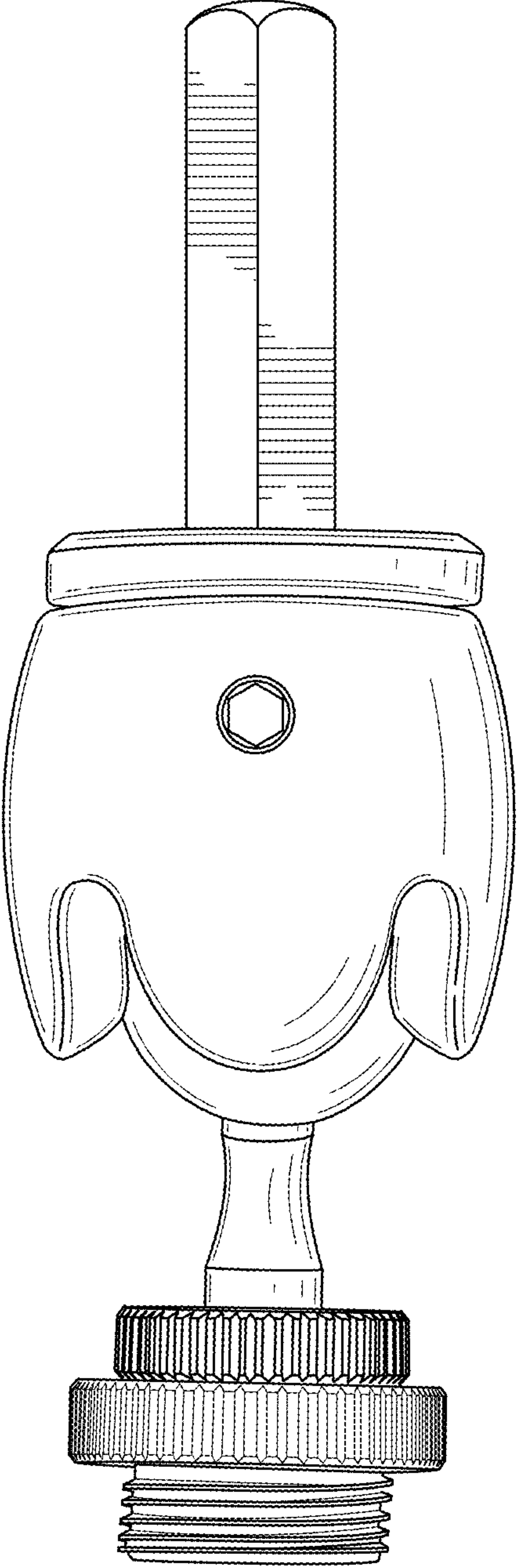


FIG. 11

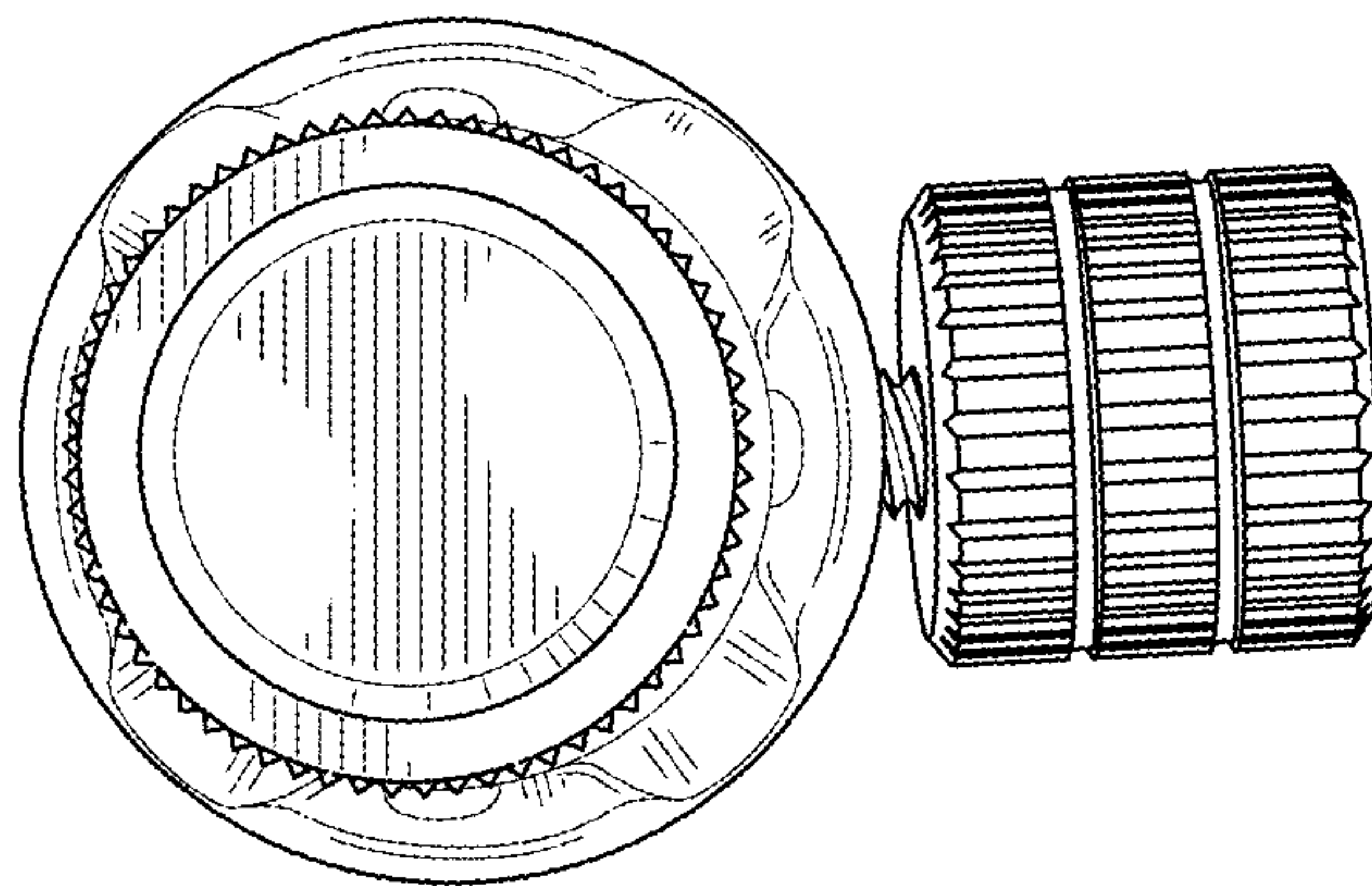


FIG. 12

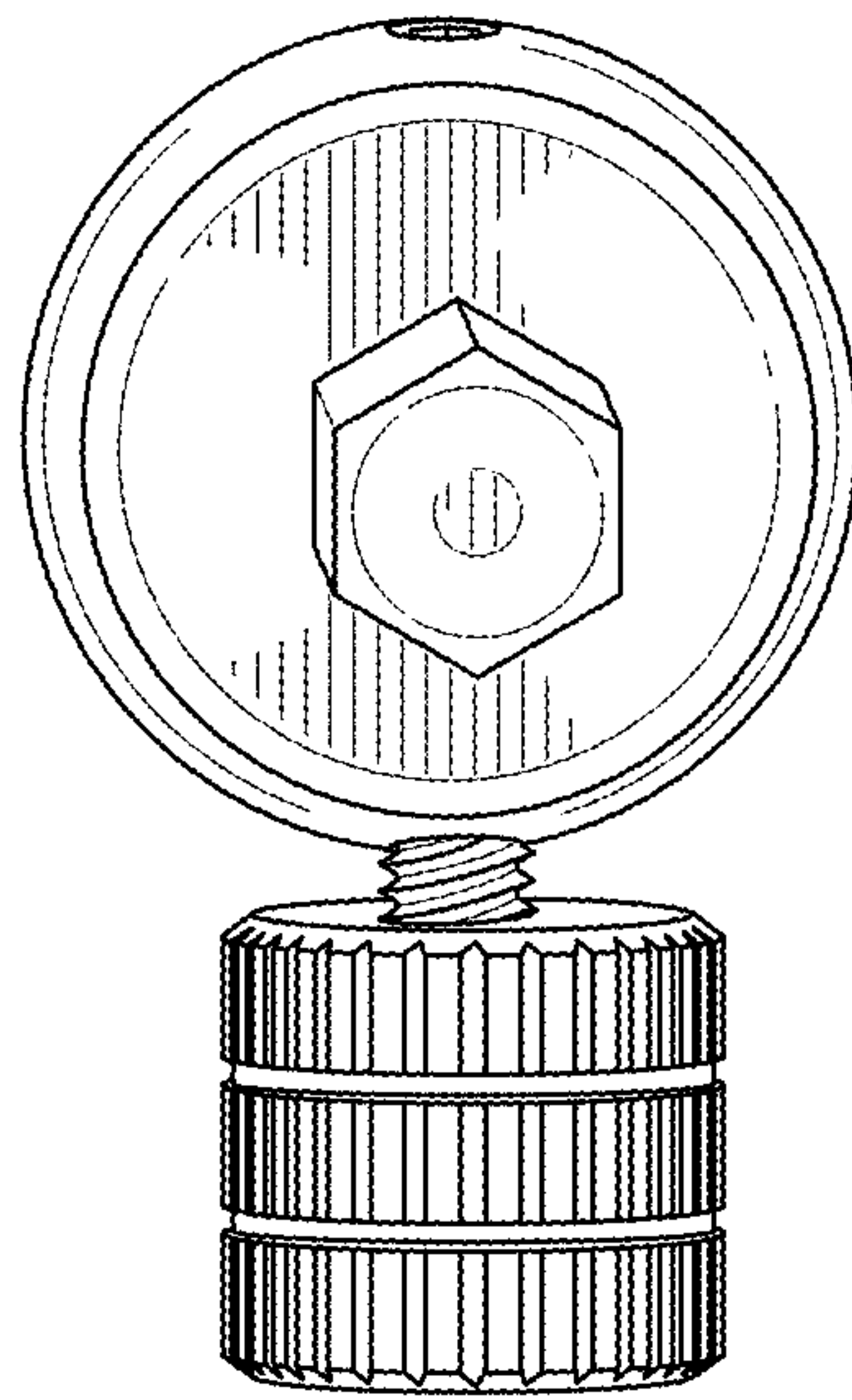


FIG. 13

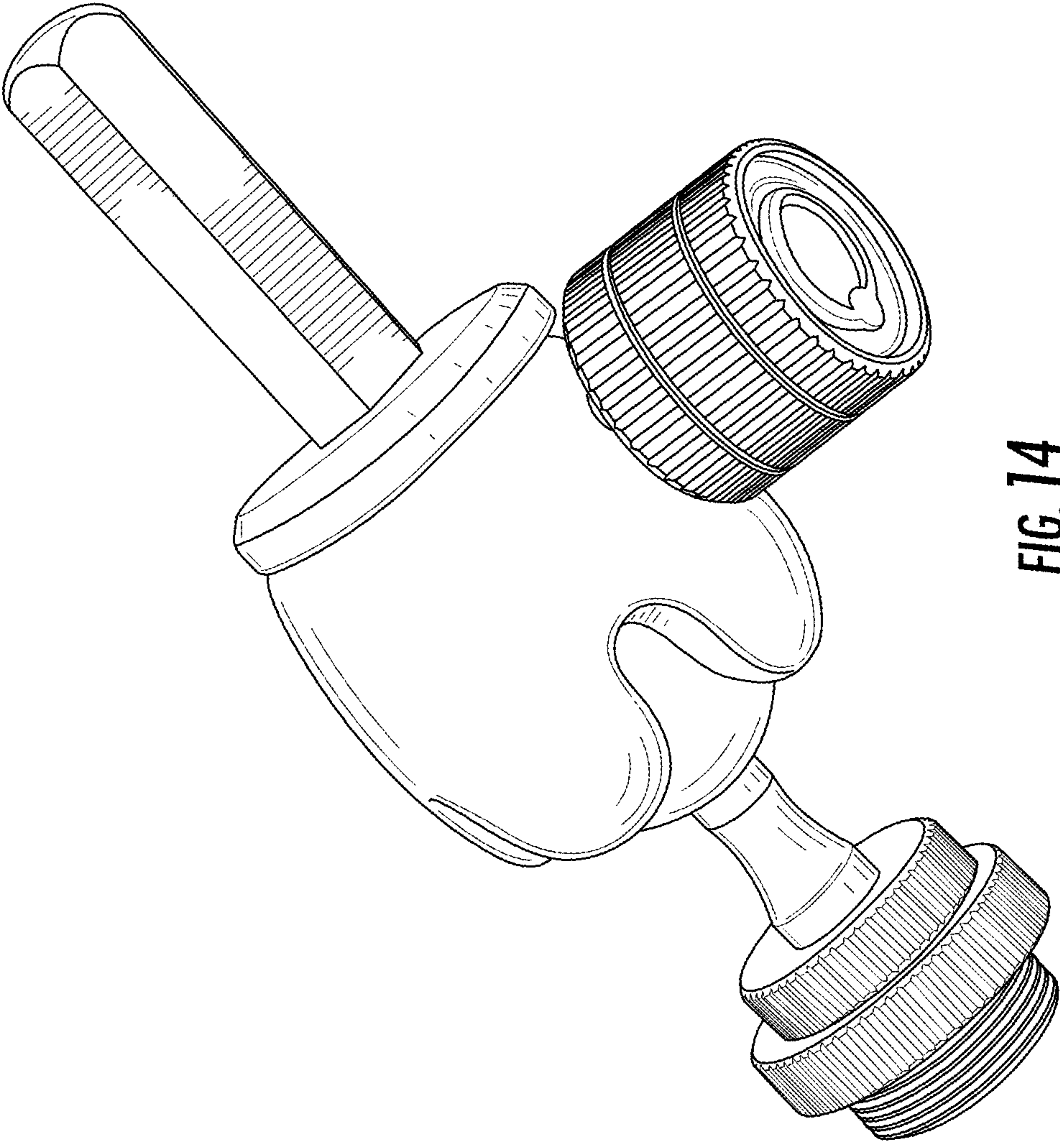


FIG. 14