



US00D714265S

(12) **United States Design Patent**  
**Håkansson**

(10) **Patent No.:** **US D714,265 S**

(45) **Date of Patent:** **\*\* Sep. 30, 2014**

(54) **PUSH-TO-TALK COMMUNICATION DEVICE  
HAVING RAISED BUTTONS**

(56)

**References Cited**

U.S. PATENT DOCUMENTS

(71) Applicant: **3M Innovative Properties Company**,  
St. Paul, MN (US)

D433,396 S	*	11/2000	Wong	.....	D14/137
D446,511 S	*	8/2001	Kanno et al.	.....	D14/167
D454,869 S	*	3/2002	Becker et al.	.....	D14/248
D485,549 S	*	1/2004	Ma et al.	.....	D14/223
D510,536 S	*	10/2005	Li	.....	D10/106.1
D557,234 S	*	12/2007	Kim	.....	D14/138 AD
D567,232 S		4/2008	Darbut		
D568,290 S	*	5/2008	Wikel	.....	D14/205
D645,028 S		9/2011	Pescetto		

(72) Inventor: **Johan Håkansson**, Hultamarken (SE)

\* cited by examiner

(73) Assignee: **3M Innovative Properties Company**,  
St. Paul, MN (US)

(\*\*) Term: **14 Years**

*Primary Examiner* — Thomas Johannes

*Assistant Examiner* — Holly E Thurman

(21) Appl. No.: **29/435,065**

(74) *Attorney, Agent, or Firm* — Kristofor L. Storvick

(22) Filed: **Oct. 19, 2012**

(57)

**CLAIM**

The ornamental design for a push-to-talk communication device having raised buttons, as shown and described.

(30) **Foreign Application Priority Data**

**DESCRIPTION**

Apr. 27, 2012 (EM) ..... 1324016

(51) **LOC (10) Cl.** ..... **14-01**

(52) **U.S. Cl.**

USPC ..... **D14/225**; D14/137

(58) **Field of Classification Search**

USPC ..... D14/137, 205–206, 223, 224, 225, 226,  
D14/227, 228, 229; 381/90, 91, 122, 16,  
381/361, 357; 181/242, 355; 174/653

See application file for complete search history.

FIG. 1 is a front perspective view showing my new design for a push-to-talk communication device having raised buttons.

FIG. 2 is a front view thereof;

FIG. 3 is a rear view thereof;

FIG. 4 is a left side view thereof;

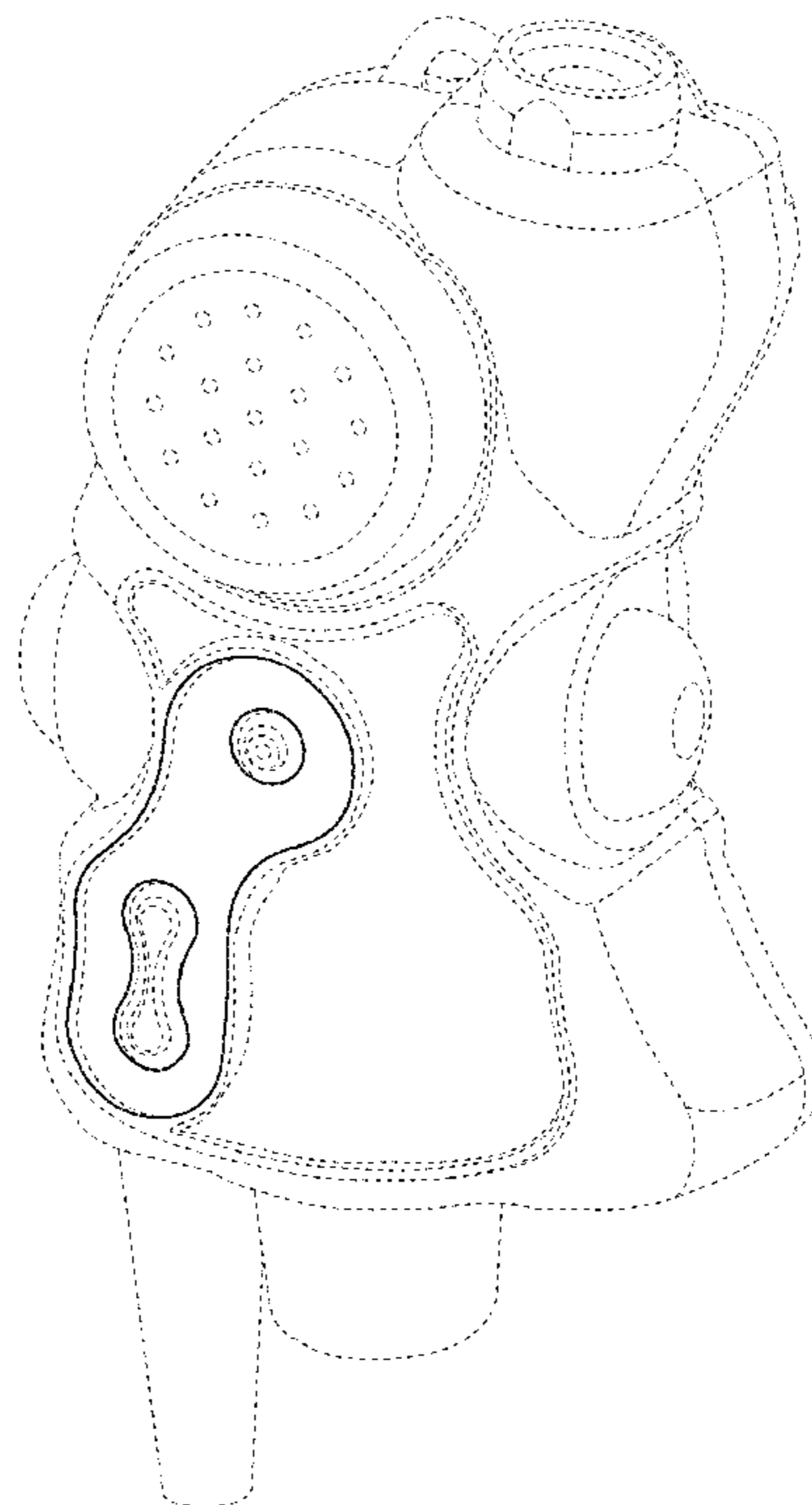
FIG. 5 is a right side view thereof;

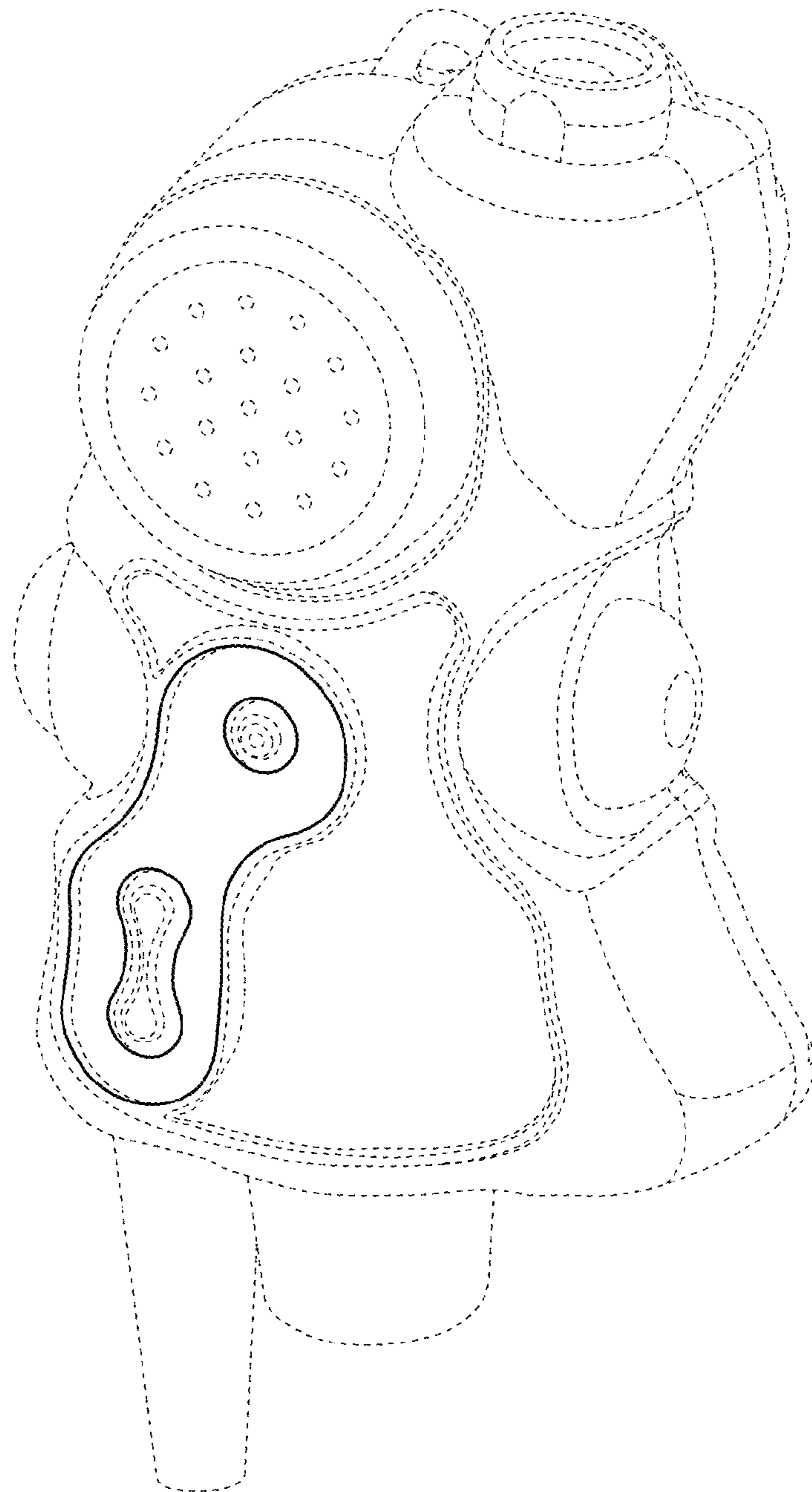
FIG. 6 is a top view thereof; and,

FIG. 7 is a bottom view thereof.

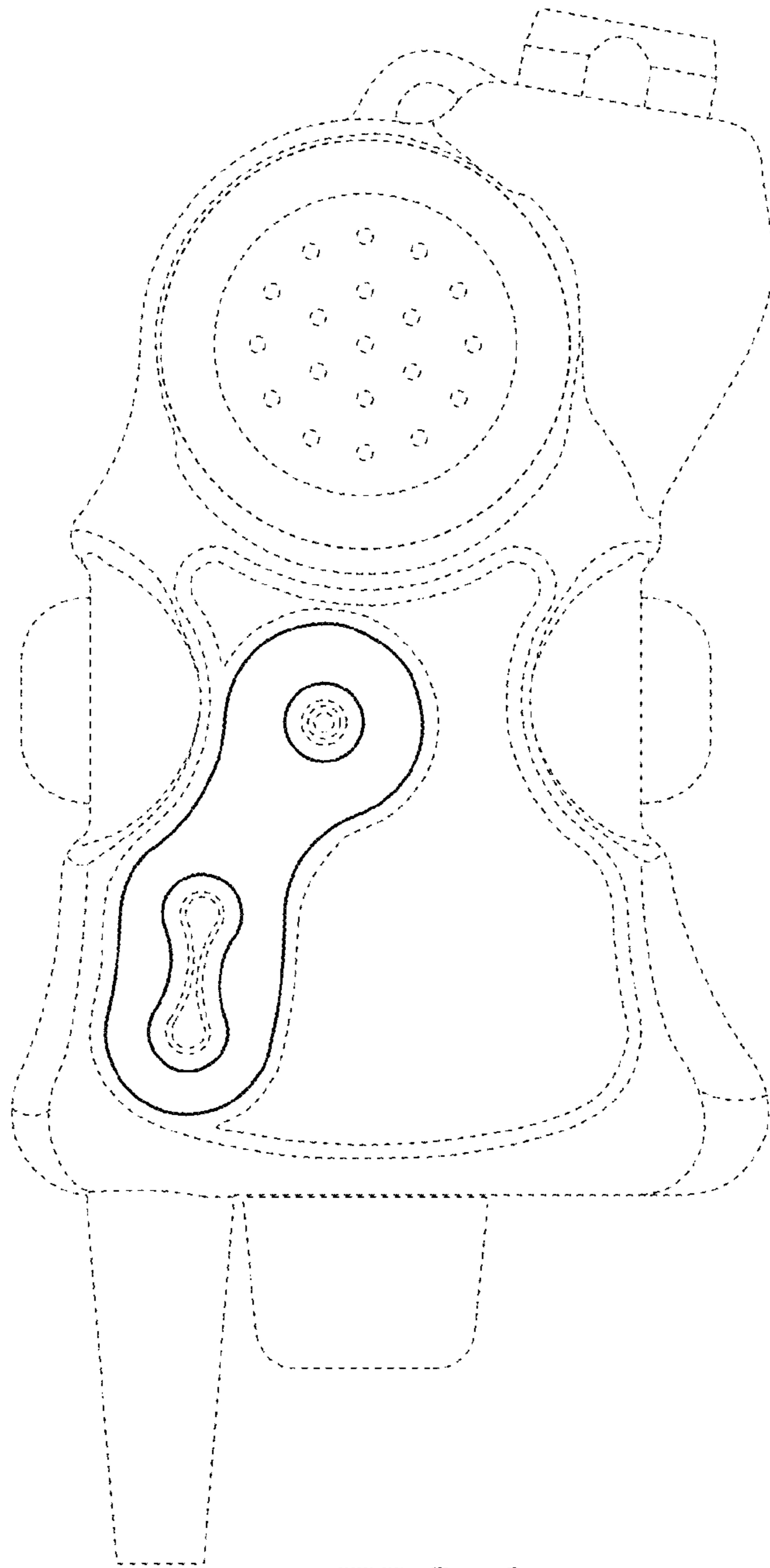
The broken lines depict unclaimed portions of the push-to-talk communication device having raised buttons, which form no part of the claimed design.

**1 Claim, 5 Drawing Sheets**

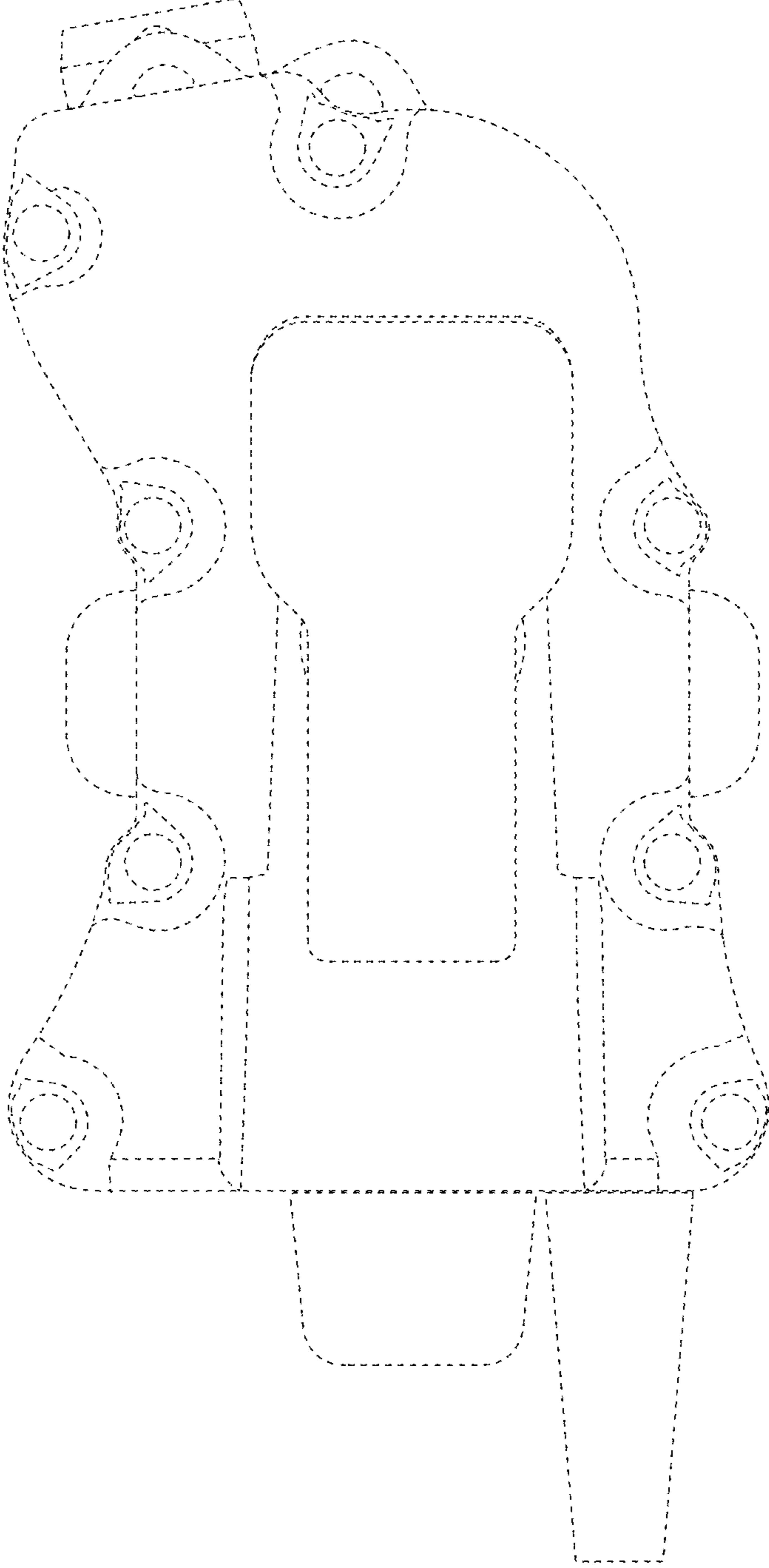




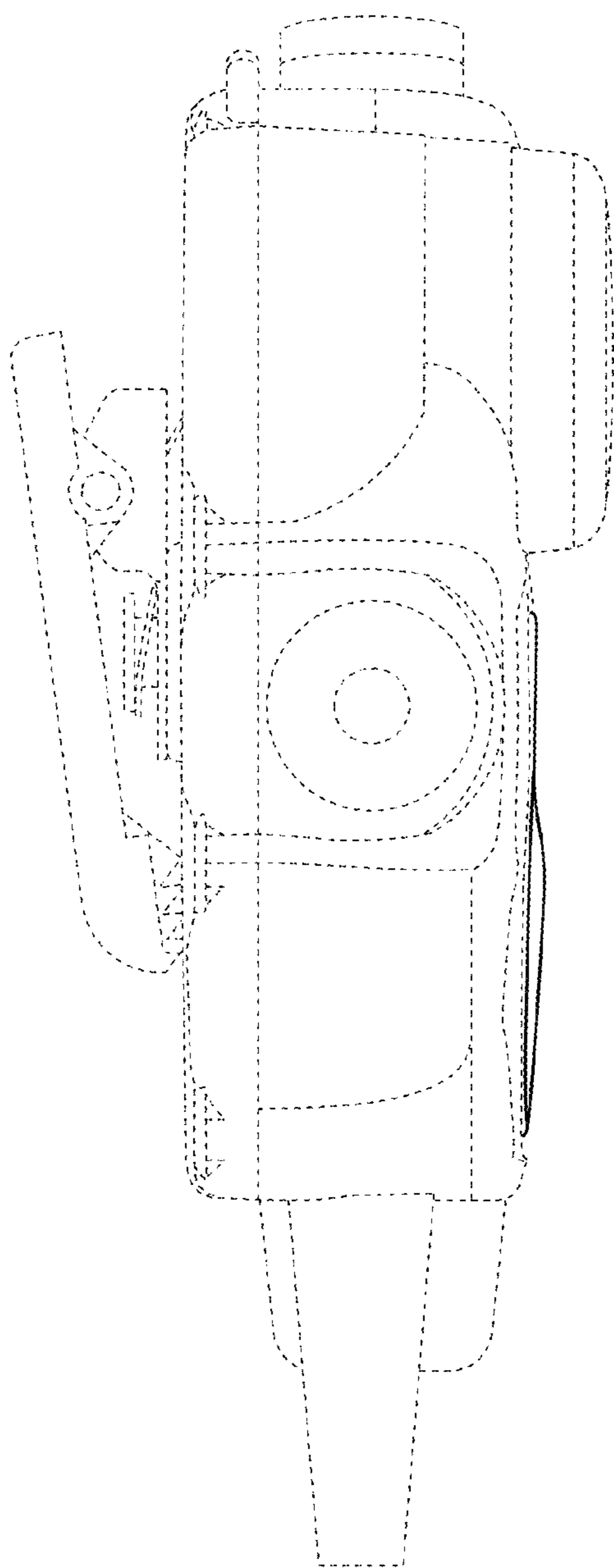
**FIG. 1**



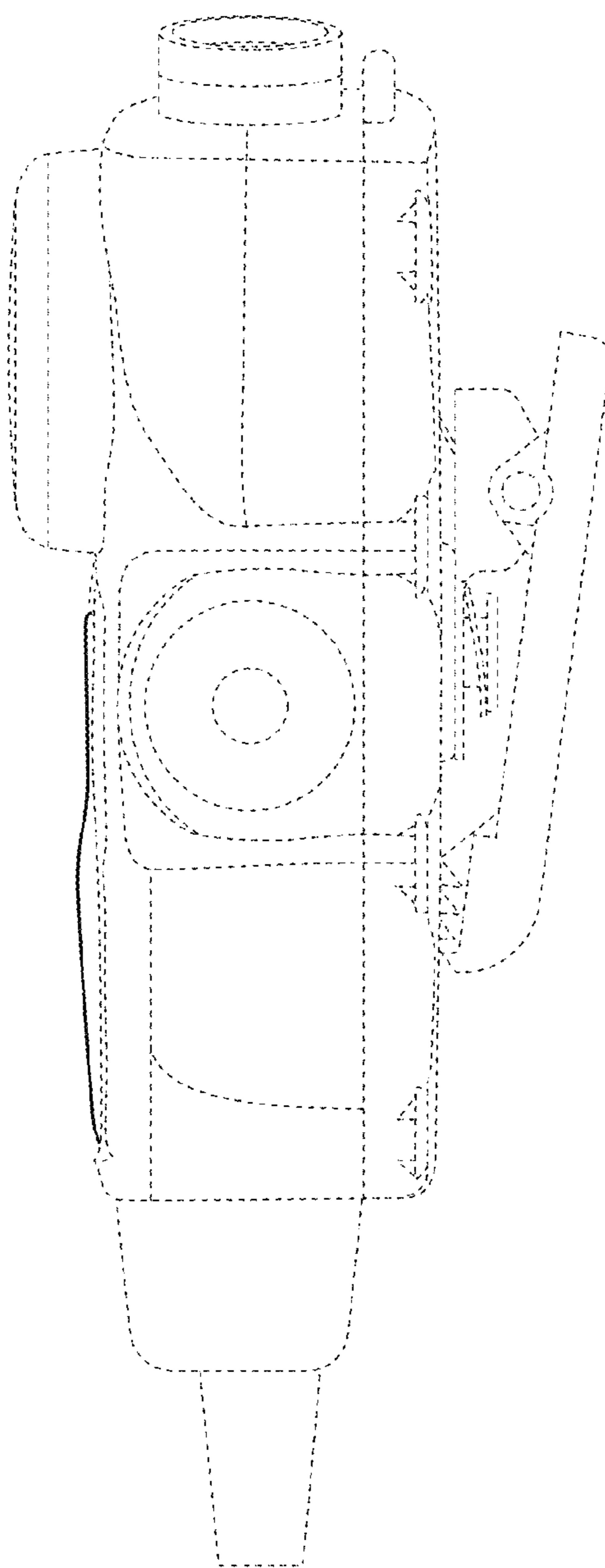
**FIG. 2**



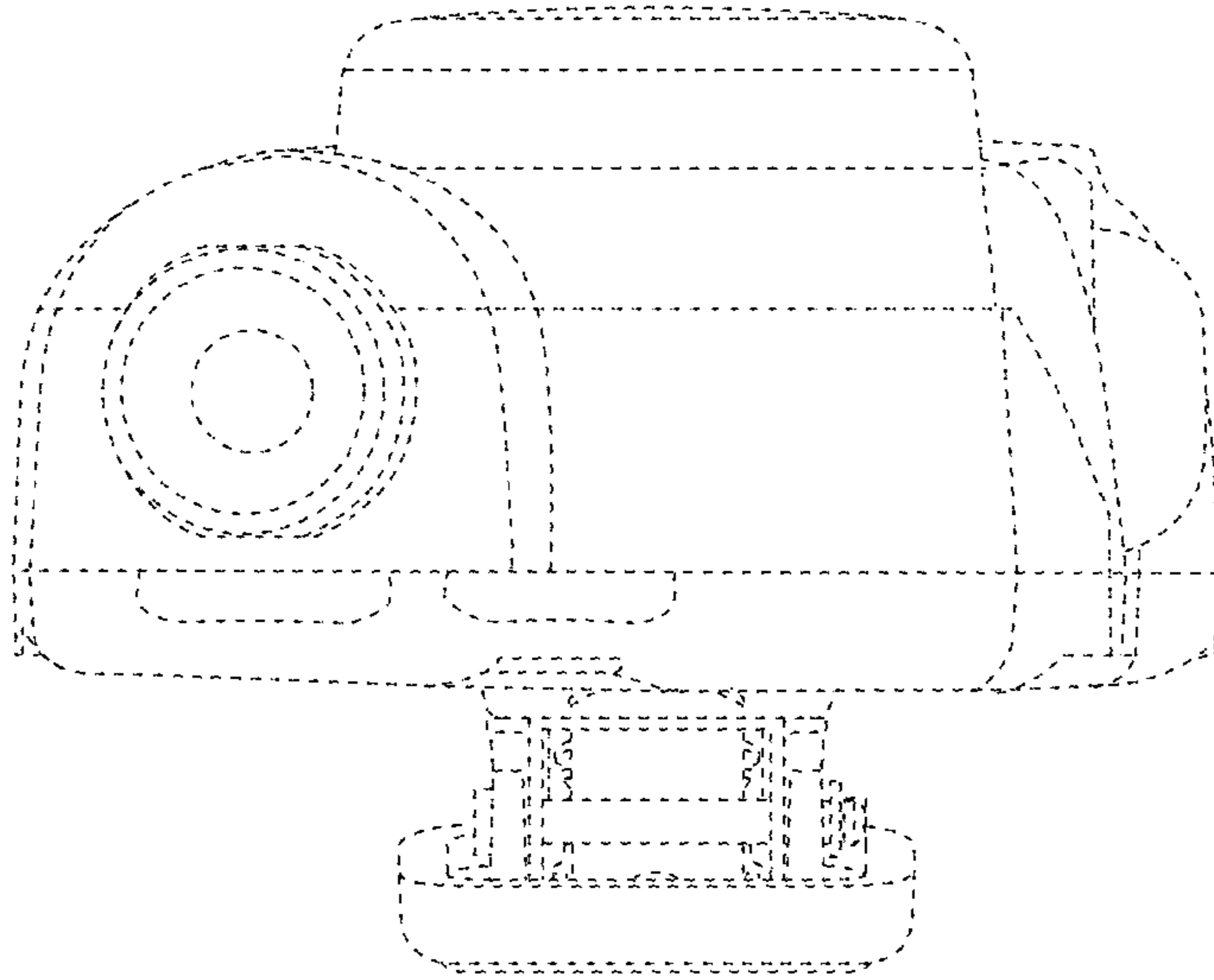
**FIG. 3**



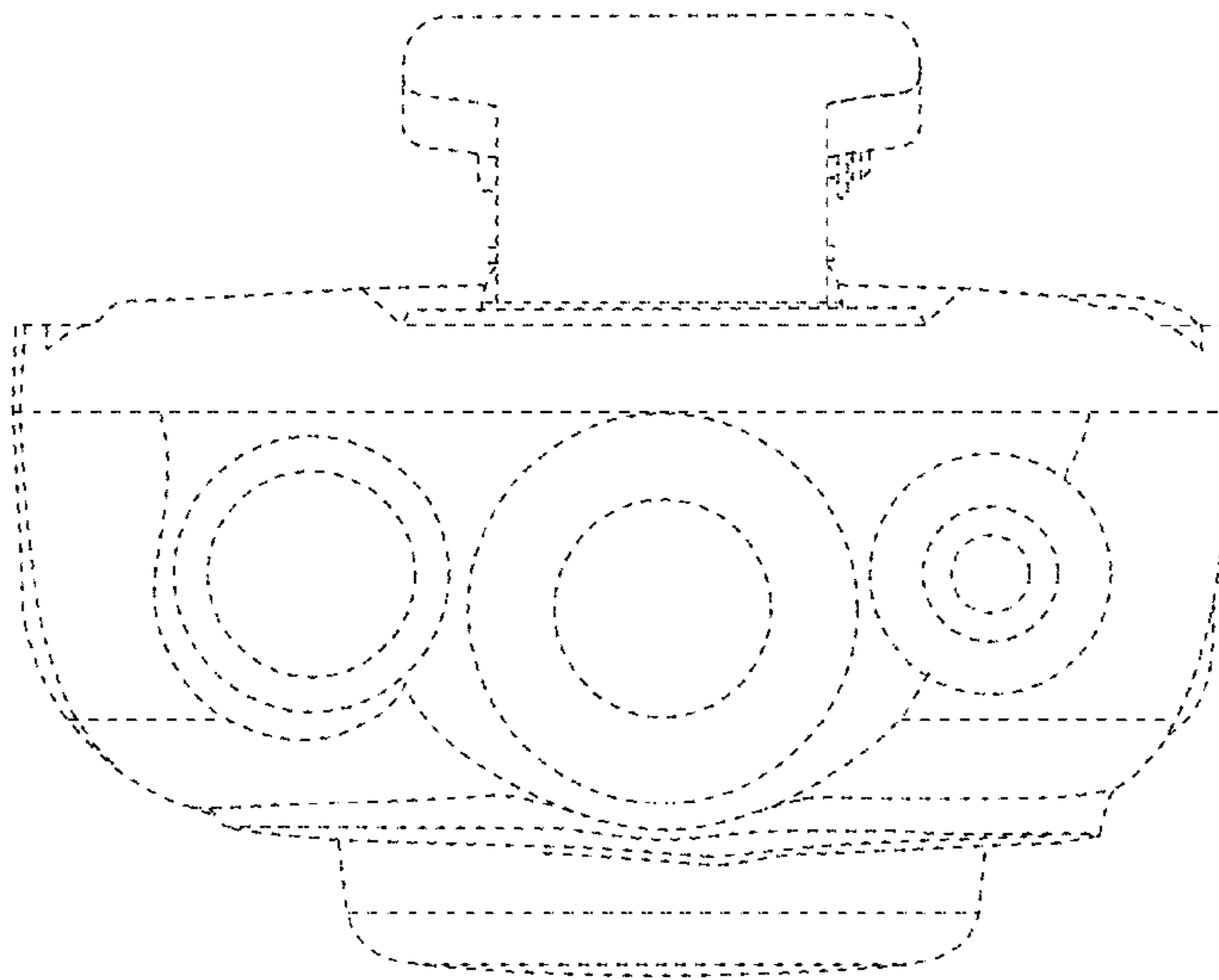
**FIG. 4**



**FIG. 5**



**FIG. 6**



**FIG. 7**