



US00D714264S

(12) **United States Design Patent**  
**Håkansson**

(10) **Patent No.:** **US D714,264 S**

(45) **Date of Patent:** **\*\* Sep. 30, 2014**

(54) **PUSH-TO-TALK COMMUNICATION DEVICE  
HAVING HAND-HOLDING PORTIONS**

(71) Applicant: **3M Innovative Properties Company,**  
St. Paul, MN (US)

(72) Inventor: **Johan Håkansson,** Hultamarken (SE)

(73) Assignee: **3M Innovative Properties Company,**  
St. Paul, MN (US)

(\*\*) Term: **14 Years**

(21) Appl. No.: **29/435,062**

(22) Filed: **Oct. 19, 2012**

(30) **Foreign Application Priority Data**

Apr. 27, 2012 (EM) ..... 1324016

(51) **LOC (10) Cl.** ..... **14-01**

(52) **U.S. Cl.**  
USPC ..... **D14/225; D14/137**

(58) **Field of Classification Search**  
USPC ..... D14/137, 205–206, 223, 224, 225, 226,  
D14/227, 228, 229; 381/90, 91, 122, 16,  
381/361, 357; 181/242, 355; 174/653  
See application file for complete search history.

(56) **References Cited**

**U.S. PATENT DOCUMENTS**

D202,109 S \* 8/1965 de Kam ..... D14/137  
D378,369 S \* 3/1997 Behlke ..... D14/137

D529,021 S \* 9/2006 Jensen et al. .... D14/223  
D566,693 S \* 4/2008 Jensen et al. .... D14/223  
D567,232 S 4/2008 Darbut  
D645,028 S 9/2011 Pescetto  
D662,090 S \* 6/2012 Richards et al. .... D14/226  
D676,833 S \* 2/2013 Garcia et al. .... D14/223  
D699,227 S \* 2/2014 Erickson ..... D14/225

\* cited by examiner

*Primary Examiner* — Thomas Johannes

*Assistant Examiner* — Holly E Thurman

(74) *Attorney, Agent, or Firm* — Kristofor L. Storvick

(57) **CLAIM**

The ornamental design for a push-to-talk communication device having hand-holding portions, as shown and described.

**DESCRIPTION**

FIG. 1 is a front perspective view showing my new design for a push-to-talk communication device having hand-holding portions.

FIG. 2 is a front view thereof;

FIG. 3 is a rear view thereof;

FIG. 4 is a left side view thereof;

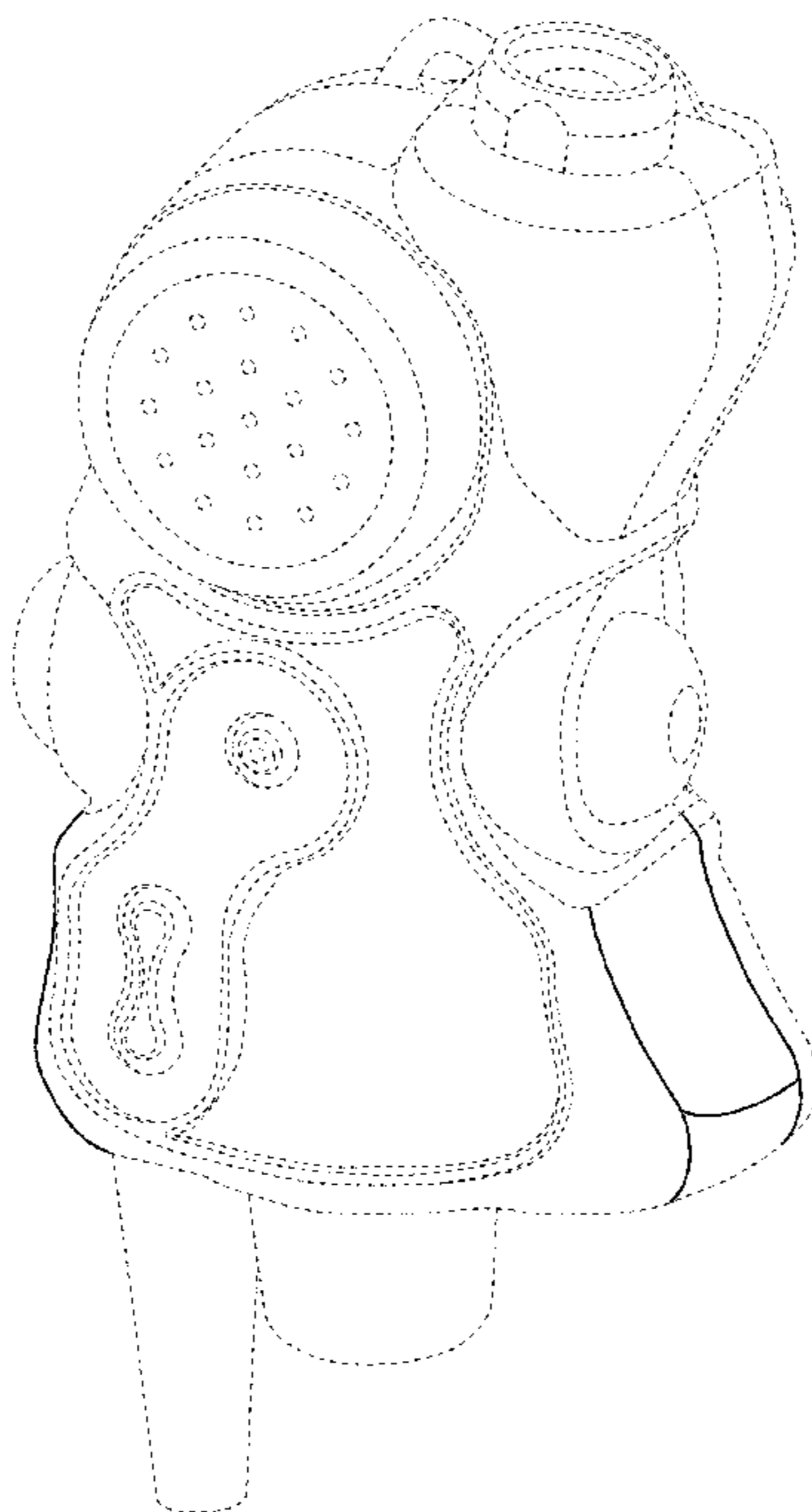
FIG. 5 is a right side view thereof;

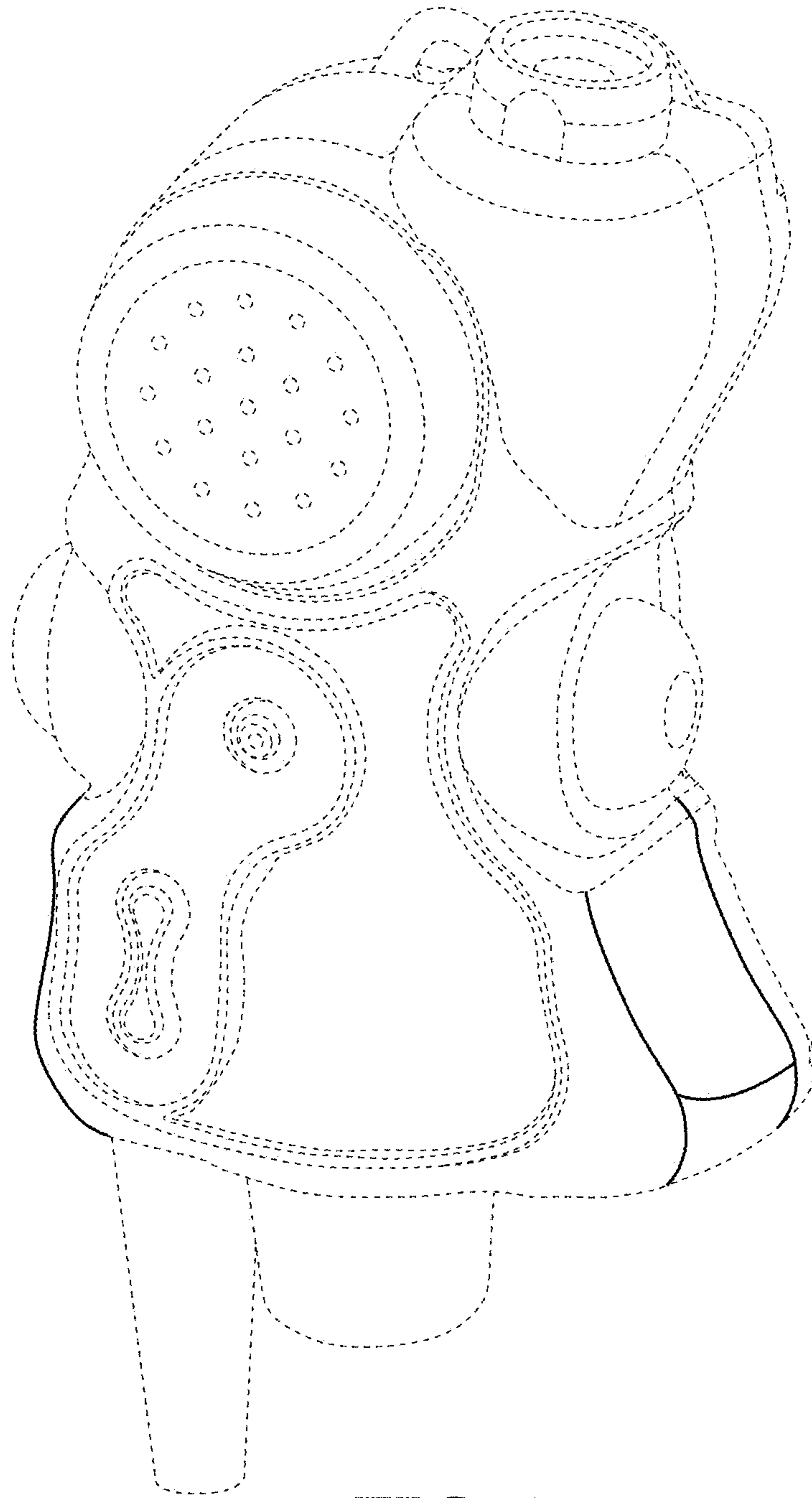
FIG. 6 is a top view thereof; and,

FIG. 7 is a bottom view thereof.

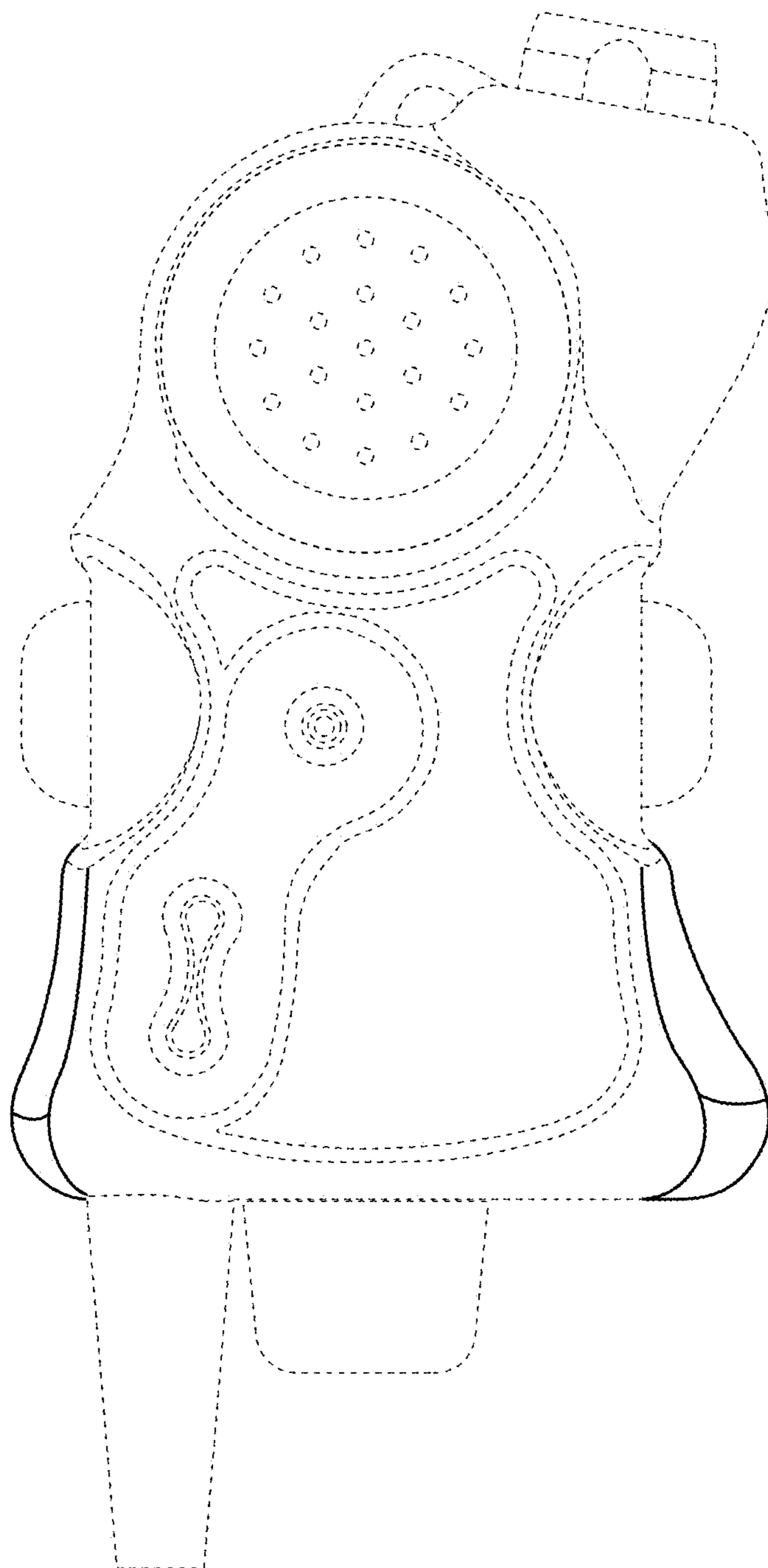
The broken lines depict unclaimed portions of the push-to-talk communication device having hand-holding portions, which form no part of the claimed design.

**1 Claim, 5 Drawing Sheets**

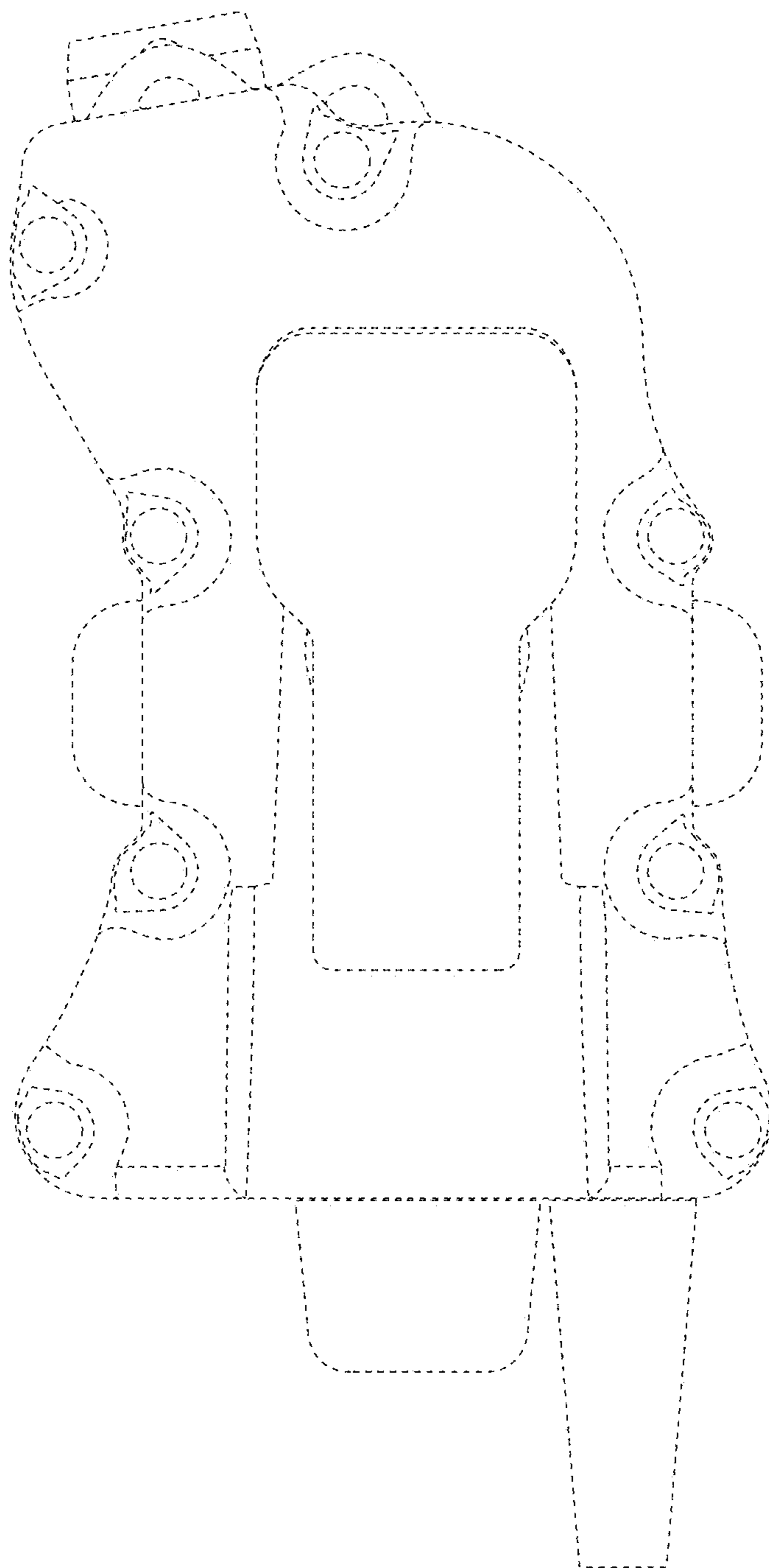




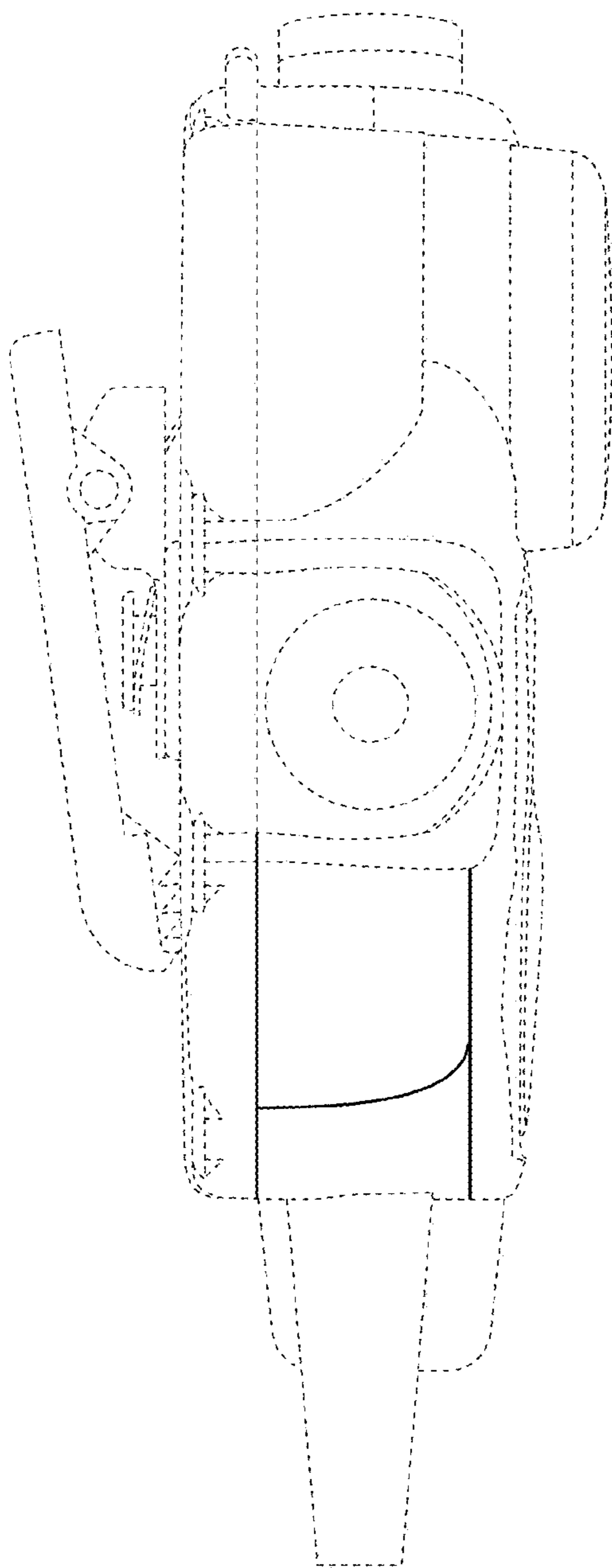
**FIG. 1**



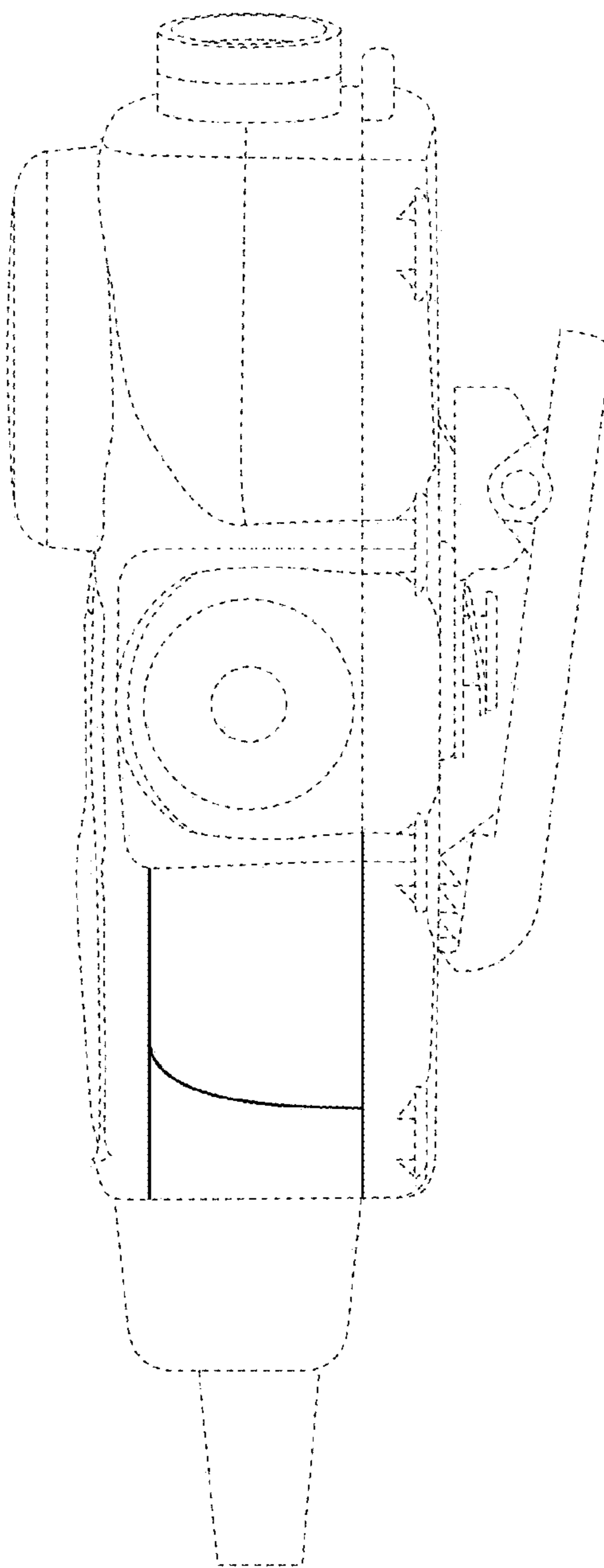
**FIG. 2**



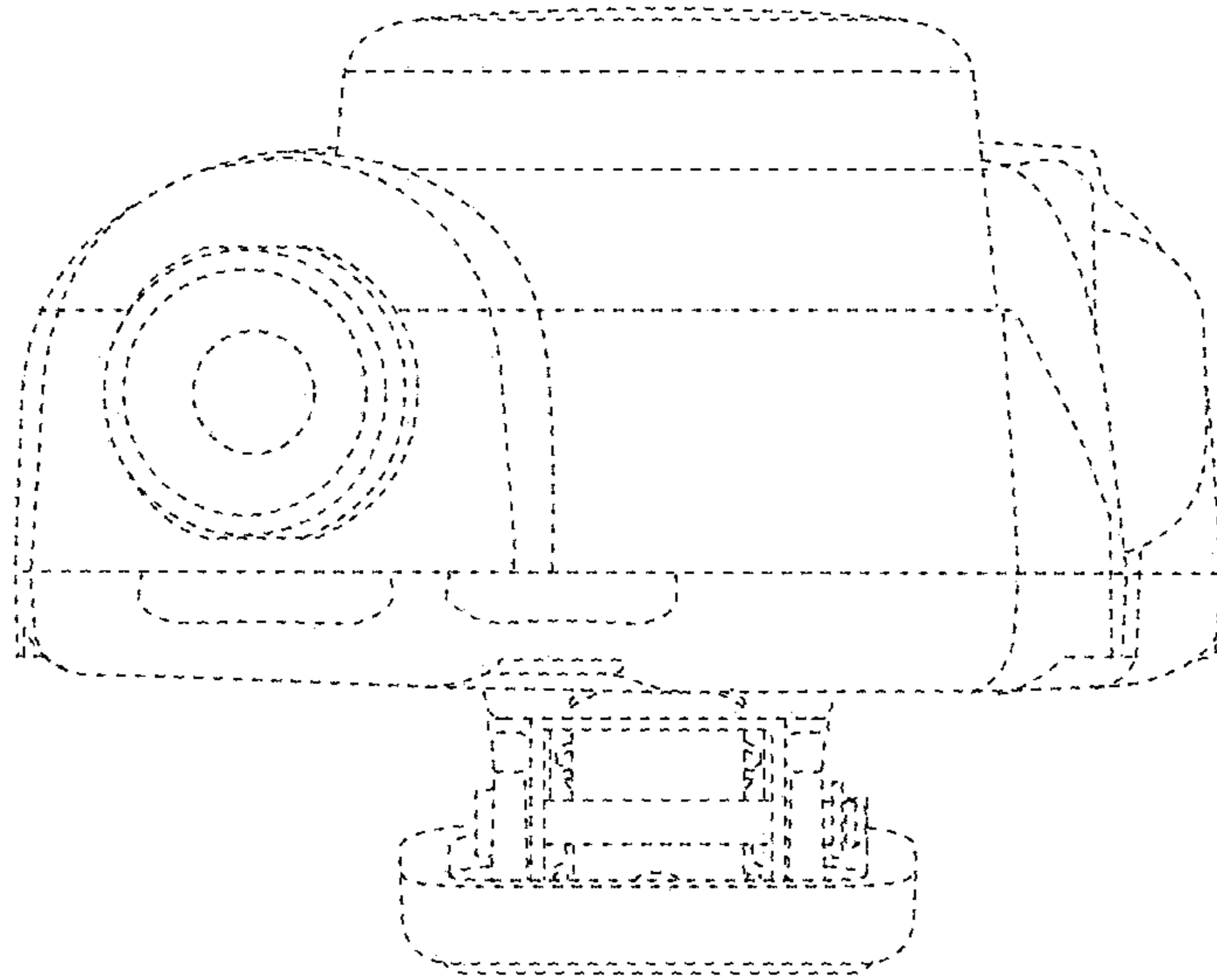
**FIG. 3**



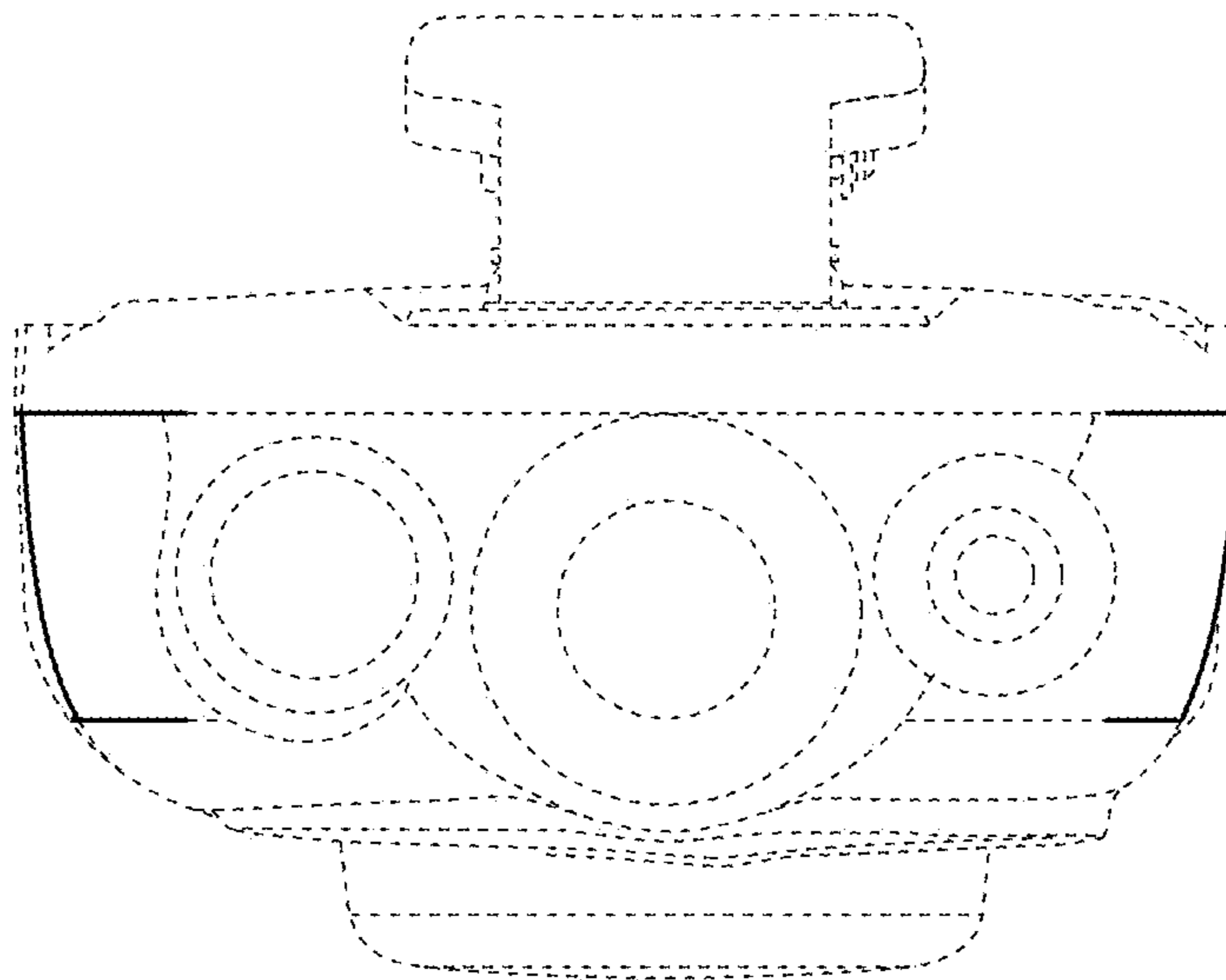
**FIG. 4**



**FIG. 5**



**FIG. 6**



**FIG. 7**