



US00D714263S

(12) **United States Design Patent**
Håkansson

(10) **Patent No.:** **US D714,263 S**

(45) **Date of Patent:** **** Sep. 30, 2014**

(54) **PUSH-TO-TALK COMMUNICATION DEVICE
HAVING A CONNECTOR SUPPORT**

(56)

References Cited

U.S. PATENT DOCUMENTS

(71) Applicant: **3M Innovative Properties Company**,
St. Paul, MN (US)

(72) Inventor: **Johan Håkansson**, Hultamarken (SE)

(73) Assignee: **3M Innovative Properties Company**,
St. Paul, MN (US)

(**) Term: **14 Years**

(21) Appl. No.: **29/435,060**

(22) Filed: **Oct. 19, 2012**

(30) **Foreign Application Priority Data**

Apr. 27, 2012 (EM) 1324016

(51) **LOC (10) Cl.** **14-01**

(52) **U.S. Cl.**

USPC **D14/225**; D14/137

(58) **Field of Classification Search**

CPC H04R 1/08; H04R 1/406; H04R 1/222;
H04R 1/083; H04R 1/38; H04R 3/00; H04R
3/005; H04R 3/04; H04M 1/03; H04H 20/49;
H04H 20/88; H04J 9/00; H02G 3/0675;
H02G 3/0616; H02G 3/22

USPC D14/137, 205–206, 223, 224, 225, 226,
D14/227, 228, 229; 381/91, 122, 16, 361,
381/357; 181/242; 174/653

See application file for complete search history.

D195,128 S *	4/1963	Neumiller	D14/137
D264,335 S *	5/1982	Huntington	D14/225
D346,804 S *	5/1994	Tokiyama	D14/226
D374,011 S *	9/1996	Baxter	D14/206
D378,369 S *	3/1997	Behlke	D14/137
D530,313 S *	10/2006	Leng et al.	D14/225
D567,232 S	4/2008	Darbut		
D576,157 S *	9/2008	Nishizawa	D14/225
D603,848 S *	11/2009	Lassally	D14/225
D615,533 S *	5/2010	Emge et al.	D14/225
D645,028 S	9/2011	Pescetto		
D662,086 S *	6/2012	Komiyama	D14/223
D662,090 S *	6/2012	Richards et al.	D14/226
2010/0166244 A1 *	7/2010	Hackbarth	381/361

* cited by examiner

Primary Examiner — Thomas Johannes

Assistant Examiner — Holly E Thurman

(74) *Attorney, Agent, or Firm* — Kristofor L. Storvick

(57)

CLAIM

The ornamental design for a push-to-talk communication device having a connector support, as shown and described.

DESCRIPTION

FIG. 1 is a front perspective view showing my new design for a push-to-talk communication device having a connector support.

FIG. 2 is a front view thereof;

FIG. 3 is a rear view thereof;

FIG. 4 is a left side view thereof;

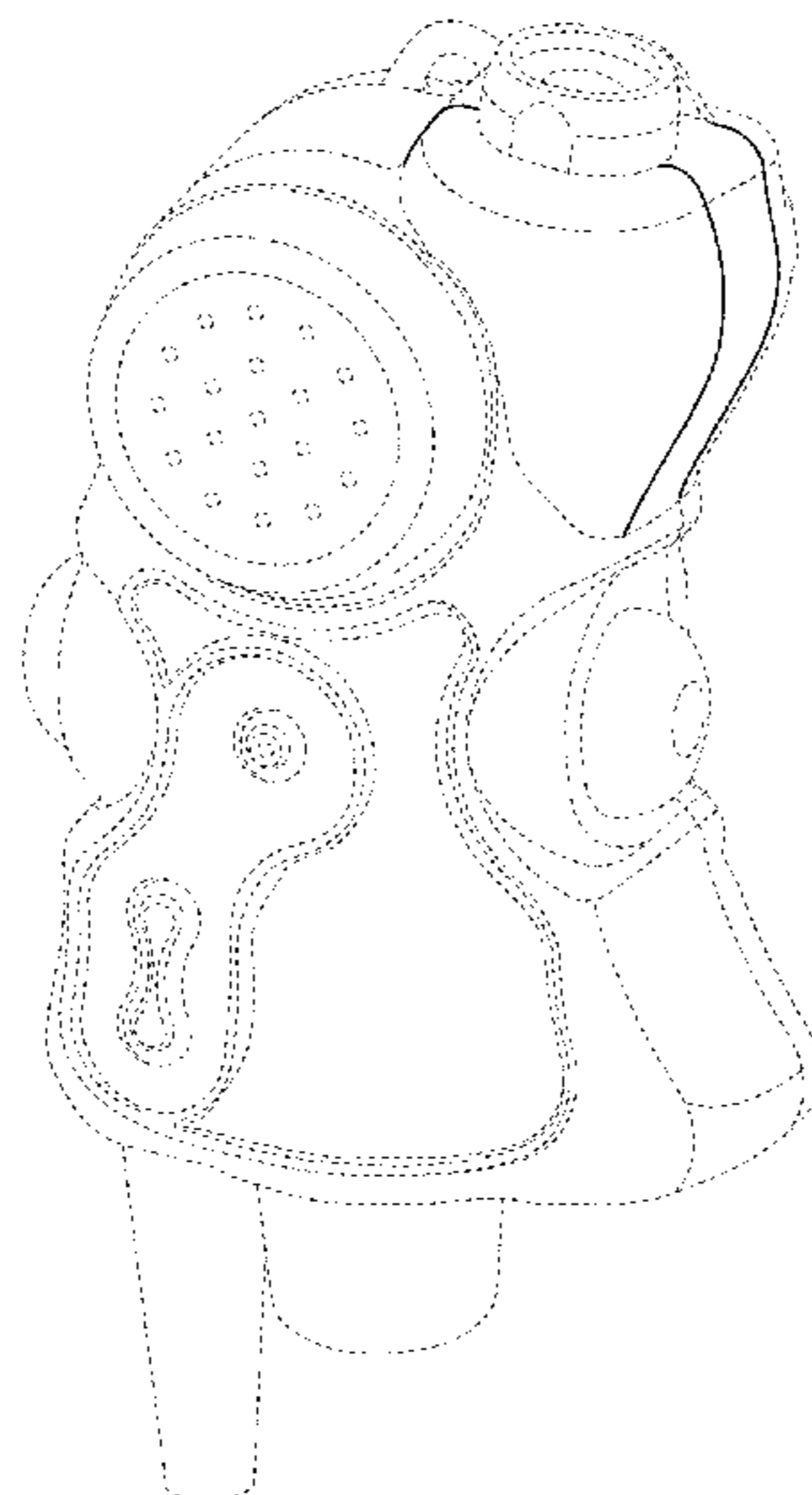
FIG. 5 is a right side view thereof;

FIG. 6 is a top view thereof; and,

FIG. 7 is a bottom view thereof.

The broken lines depict unclaimed portions of the push-to-talk communication device having a connector support, which form no part of the claimed design.

1 Claim, 5 Drawing Sheets



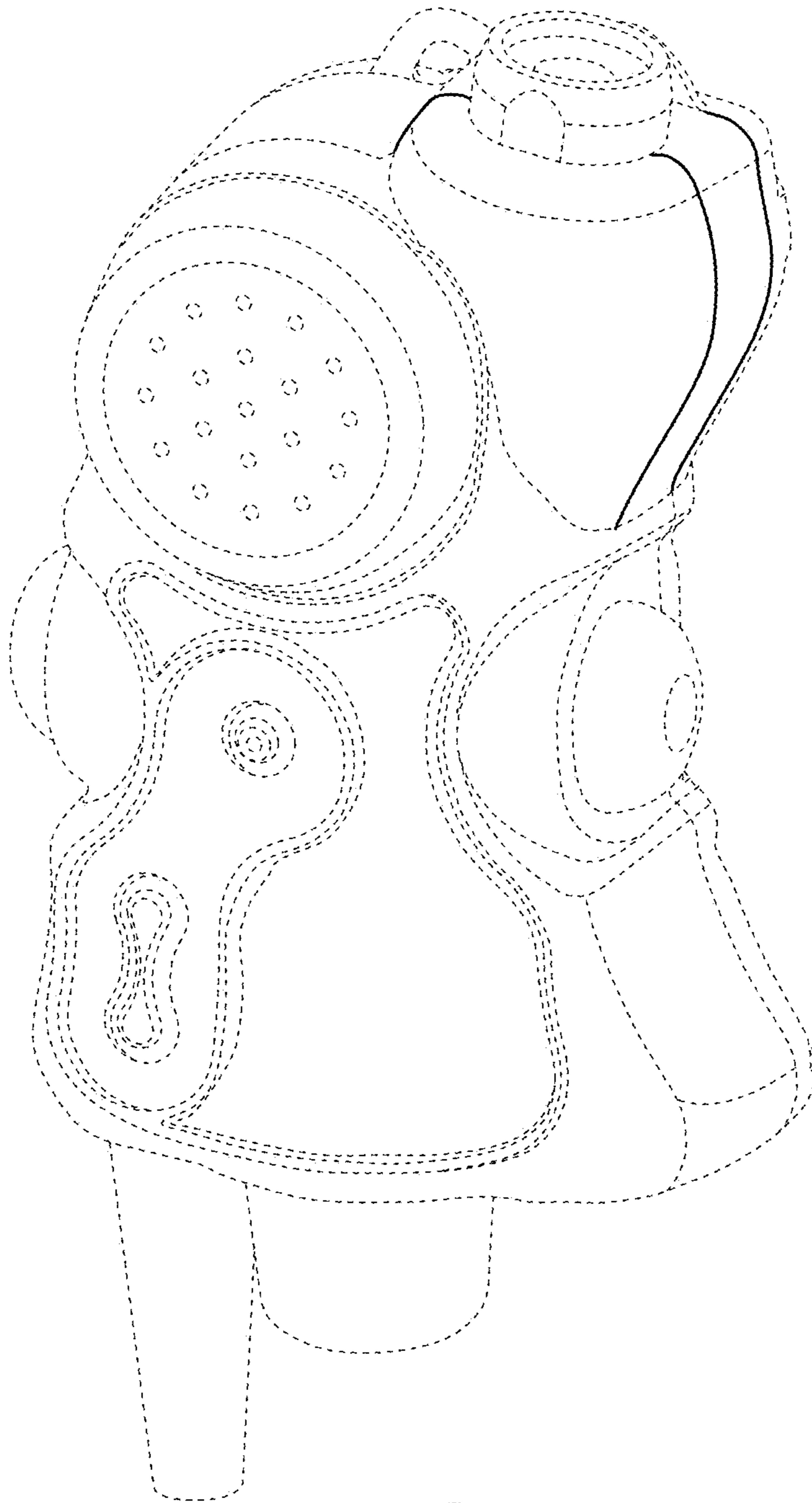


FIG. 1

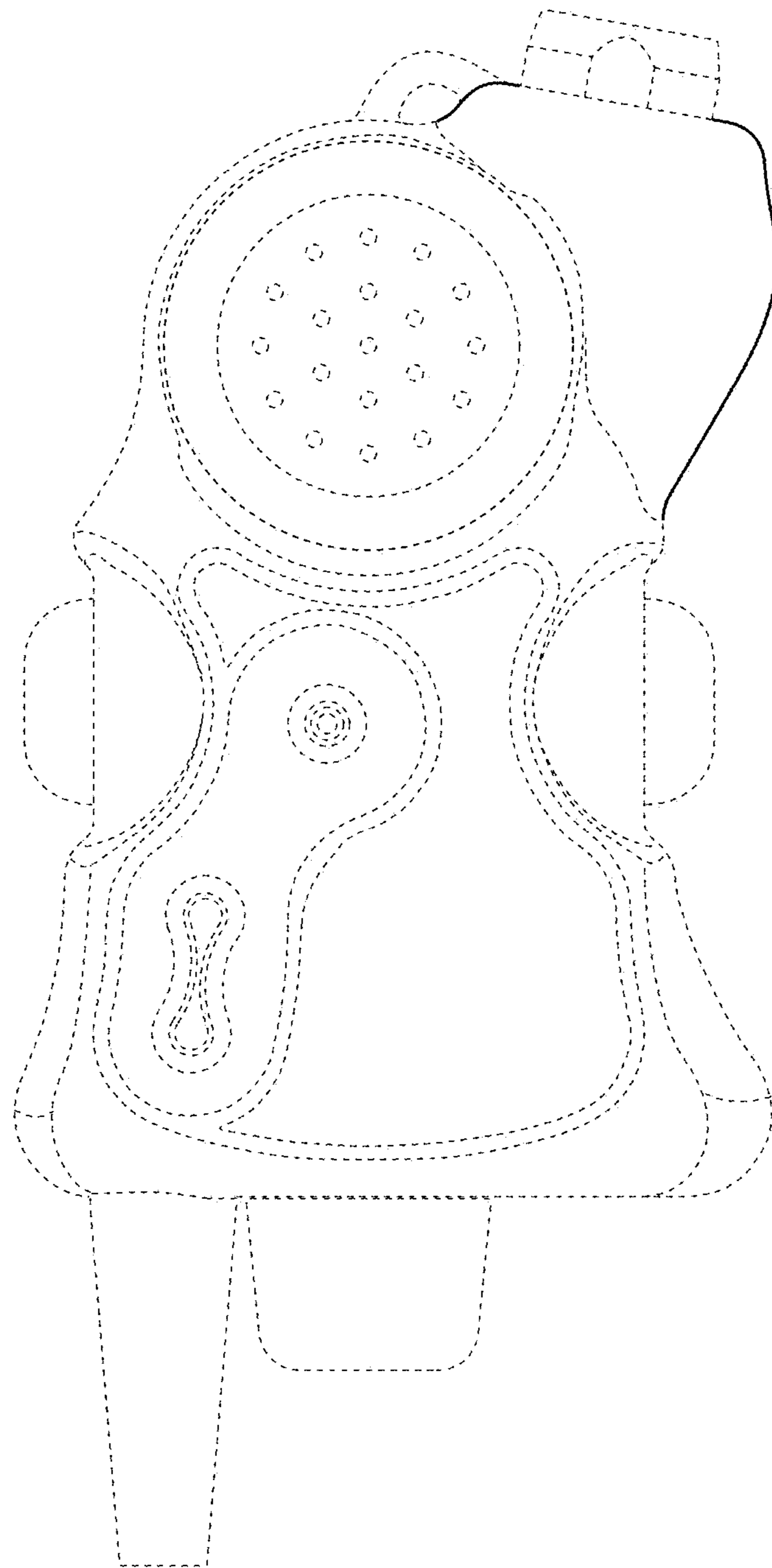


FIG. 2

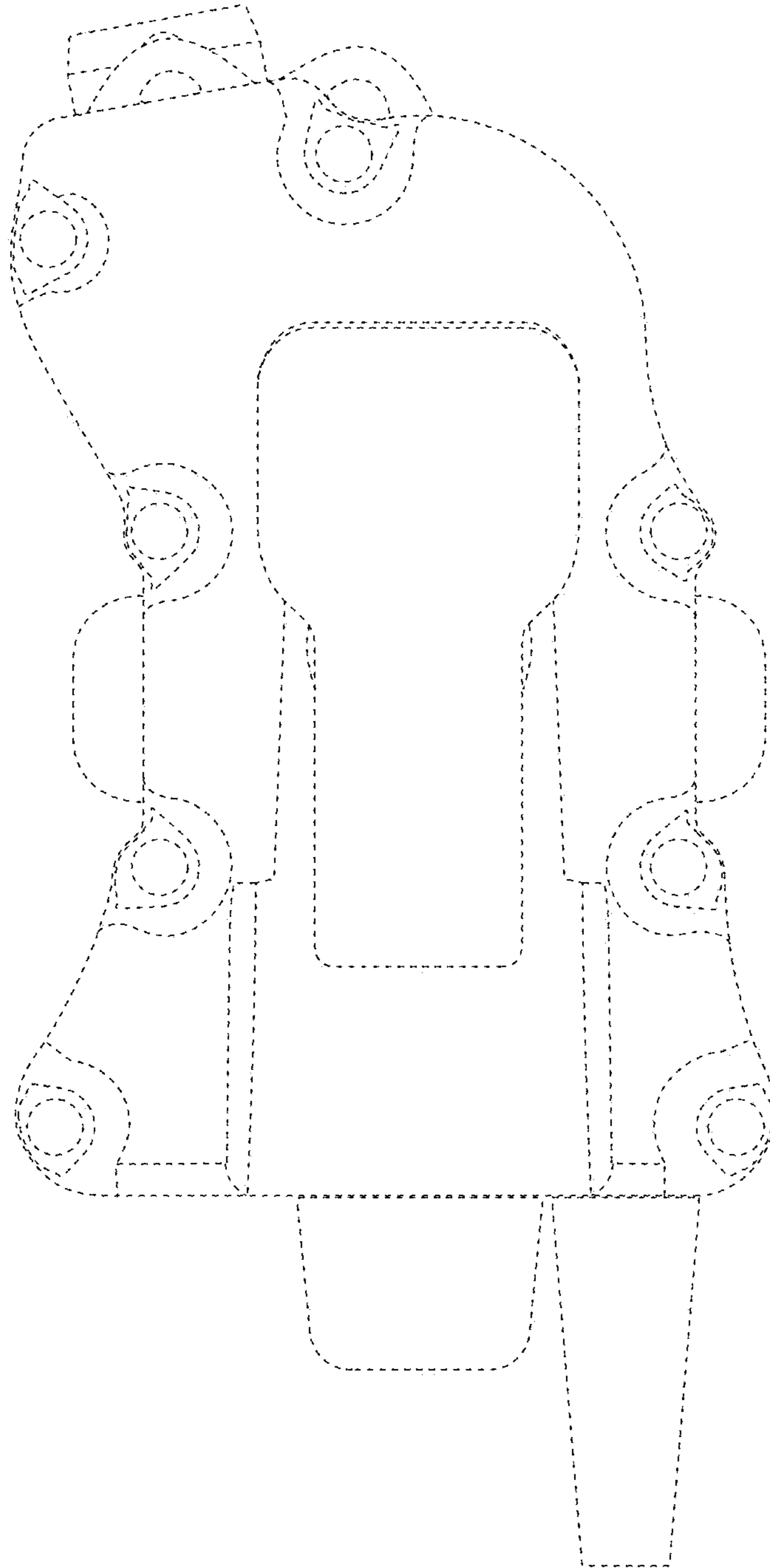


FIG. 3

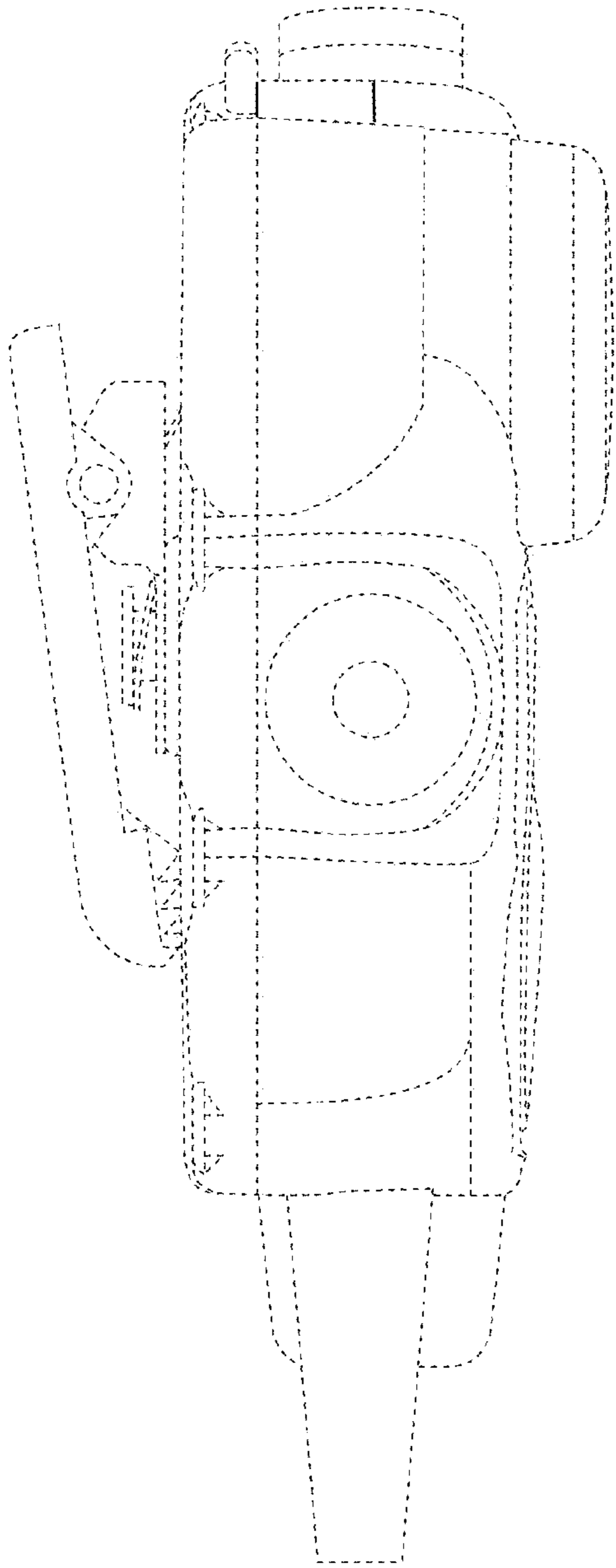


FIG. 4

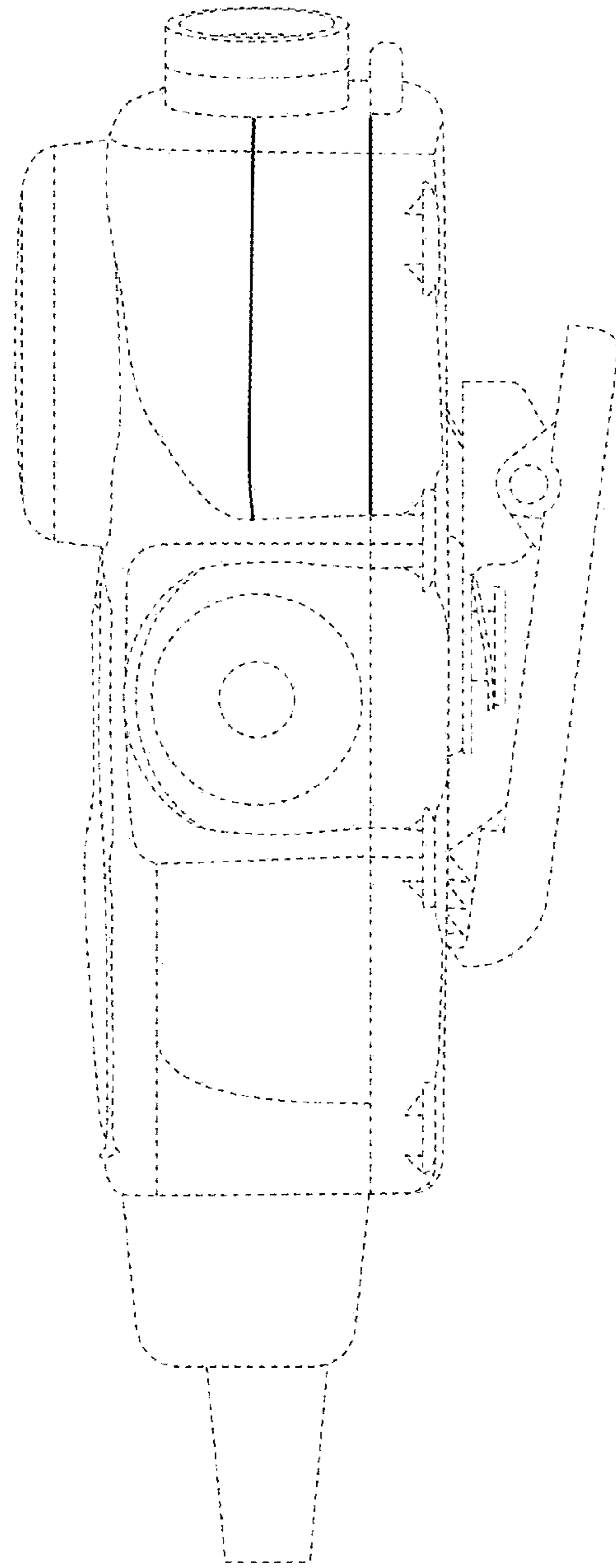


FIG. 5

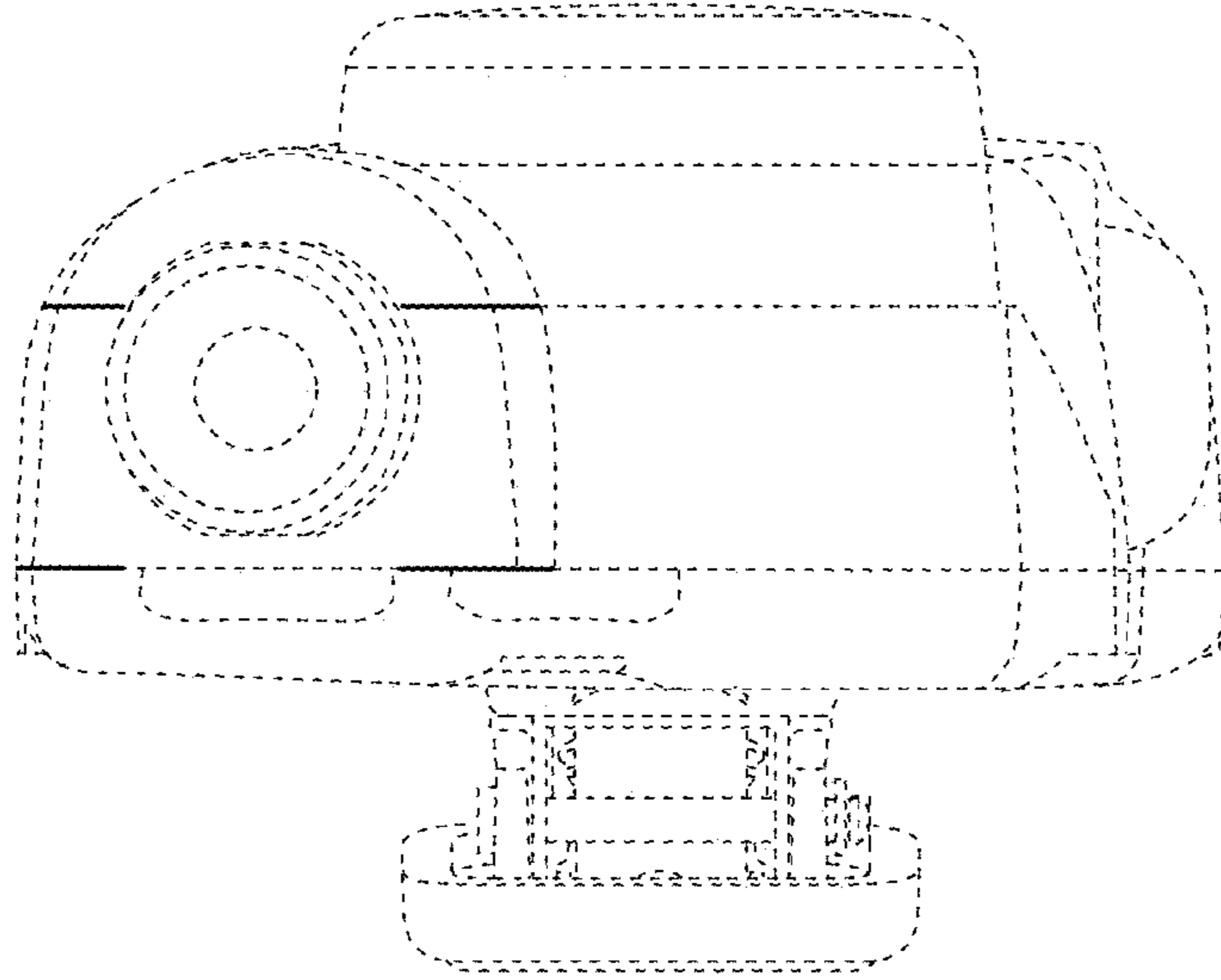


FIG. 6

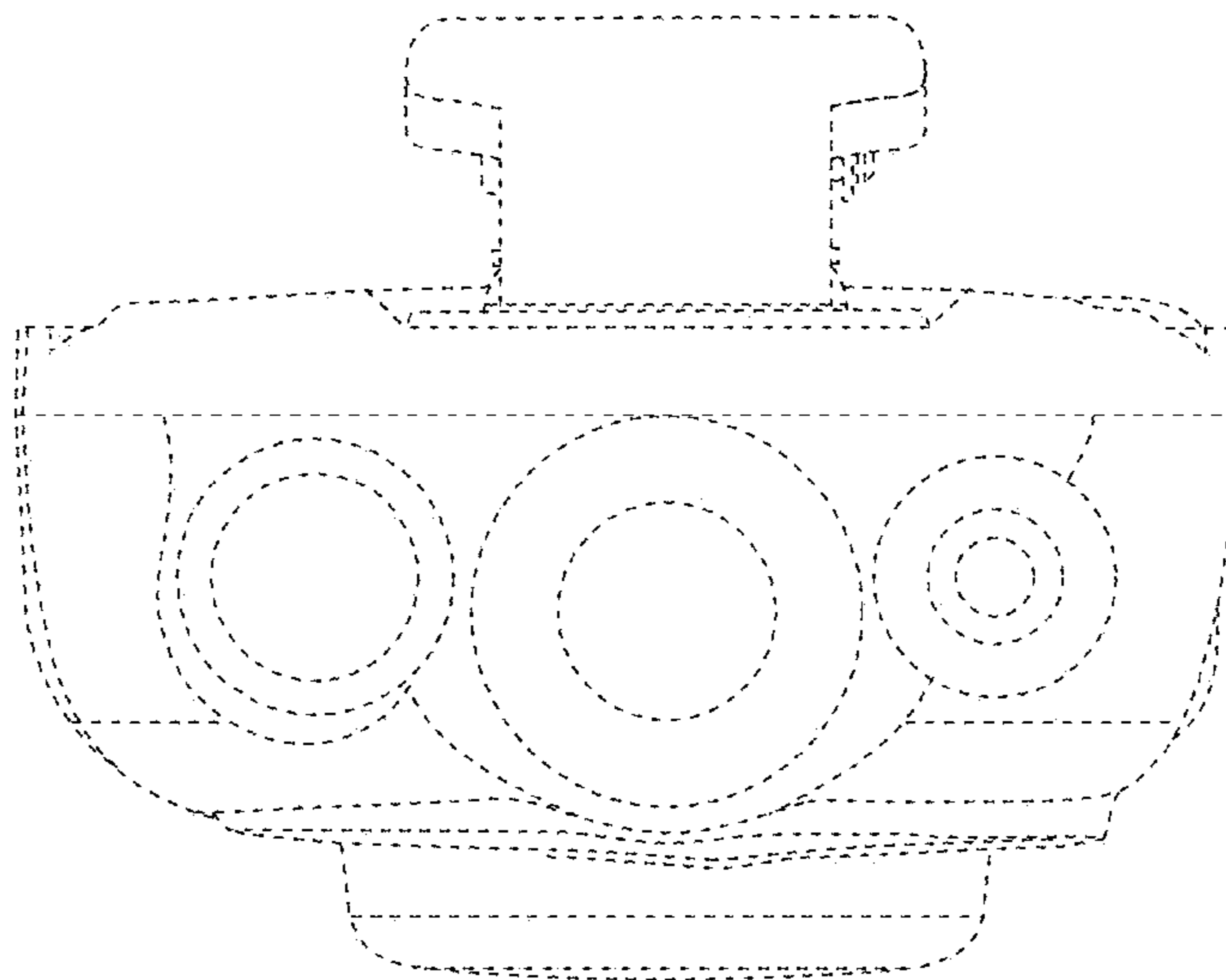


FIG. 7