



US00D714261S

(12) **United States Design Patent**  
**Brandis**

(10) **Patent No.:** **US D714,261 S**

(45) **Date of Patent:** **\*\* \*Sep. 30, 2014**

- (54) **WIRELESS HEADSET**
- (71) Applicant: **Sennheiser Communications A/S**,  
Solroed Strand (DK)
- (72) Inventor: **Michael Brandis**, Nuremberg (DE)
- (73) Assignee: **Sennheiser Communications A/S**,  
Solrod Strand (DK)
- (\*) Notice: This patent is subject to a terminal disclaimer.
- (\*\*) Term: **14 Years**
- (21) Appl. No.: **29/454,704**
- (22) Filed: **May 13, 2013**

D552,602 S *	10/2007	Sade et al.	.....	D14/223
D554,626 S *	11/2007	Christopher	.....	D14/223
D555,151 S *	11/2007	Eklund	.....	D14/223
D559,836 S *	1/2008	Lee	.....	D14/223
D561,743 S *	2/2008	Huang et al.	.....	D14/223
D562,309 S *	2/2008	Choi et al.	.....	D14/223
D562,310 S *	2/2008	Moon et al.	.....	D14/223
D566,105 S *	4/2008	Yang et al.	.....	D14/223
D573,582 S *	7/2008	Ma	.....	D14/205
D574,366 S *	8/2008	Sade et al.	.....	D14/223
D590,813 S *	4/2009	Bradford et al.	.....	D14/223
D590,814 S *	4/2009	Bradford	.....	D14/223
D602,475 S *	10/2009	Martin	.....	D14/223
D606,521 S *	12/2009	Birger	.....	D14/223
D617,779 S *	6/2010	Nylen	.....	D14/223
D618,221 S *	6/2010	Fahrendorff et al.	.....	D14/223
D619,998 S *	7/2010	Birger	.....	D14/223
D623,629 S *	9/2010	Lau	.....	D14/223
D625,711 S *	10/2010	Yang	.....	D14/223
D630,620 S *	1/2011	Lee et al.	.....	D14/223
D634,305 S *	3/2011	Hoggarth	.....	D14/223

(Continued)

- (30) **Foreign Application Priority Data**
- Nov. 12, 2012 (EM) ..... 002134049-0002
- (51) **LOC (10) Cl.** ..... **14-01**
- (52) **U.S. Cl.**
- USPC ..... **D14/223**
- (58) **Field of Classification Search**
- CPC ..... H04R 25/00
- USPC ..... D14/223, 206; 181/129, 130, 135;  
379/430, 431; 381/380, 381, 370, 374,  
381/322, 328; 455/90.3, 575.1, 569.1
- See application file for complete search history.

*Primary Examiner* — Paula Greene  
(74) *Attorney, Agent, or Firm* — Birch, Stewart, Kolasch & Birch, LLP

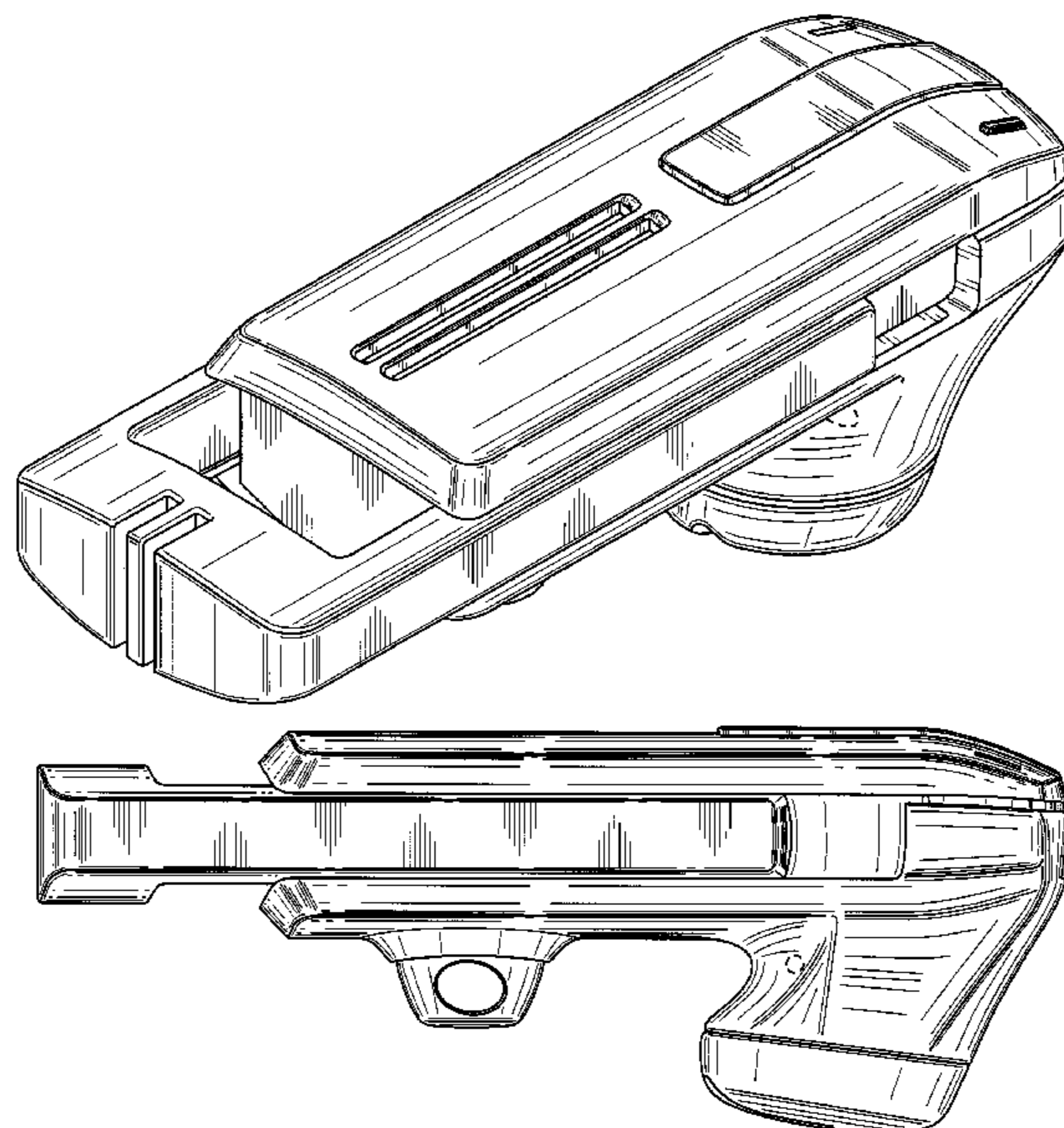
- (56) **References Cited**
- U.S. PATENT DOCUMENTS
- D461,791 S \* 8/2002 Ma ..... D14/206
- 6,868,284 B2 \* 3/2005 Bae ..... 455/575.2
- D508,485 S \* 8/2005 Katsumata ..... D14/223
- D533,540 S \* 12/2006 Murray ..... D14/205
- D552,596 S \* 10/2007 Christopher ..... D14/205

(57) **CLAIM**  
The ornamental design for an wireless headset, as shown and described.

**DESCRIPTION**

FIG. 1 is a perspective view of the wireless headset; FIG. 2 is a front view of the wireless headset; FIG. 3 is a rear view of the wireless headset; FIG. 4 is a left side view of the wireless headset; FIG. 5 is a right side view of the wireless headset; FIG. 6 is a top side view of the wireless headset; and, FIG. 7 is a bottom view of the wireless headset. The broken lines in the drawings are for purposes of illustration and form no part of the claimed design.

**1 Claim, 6 Drawing Sheets**



# US D714,261 S

Page 2

---

(56)

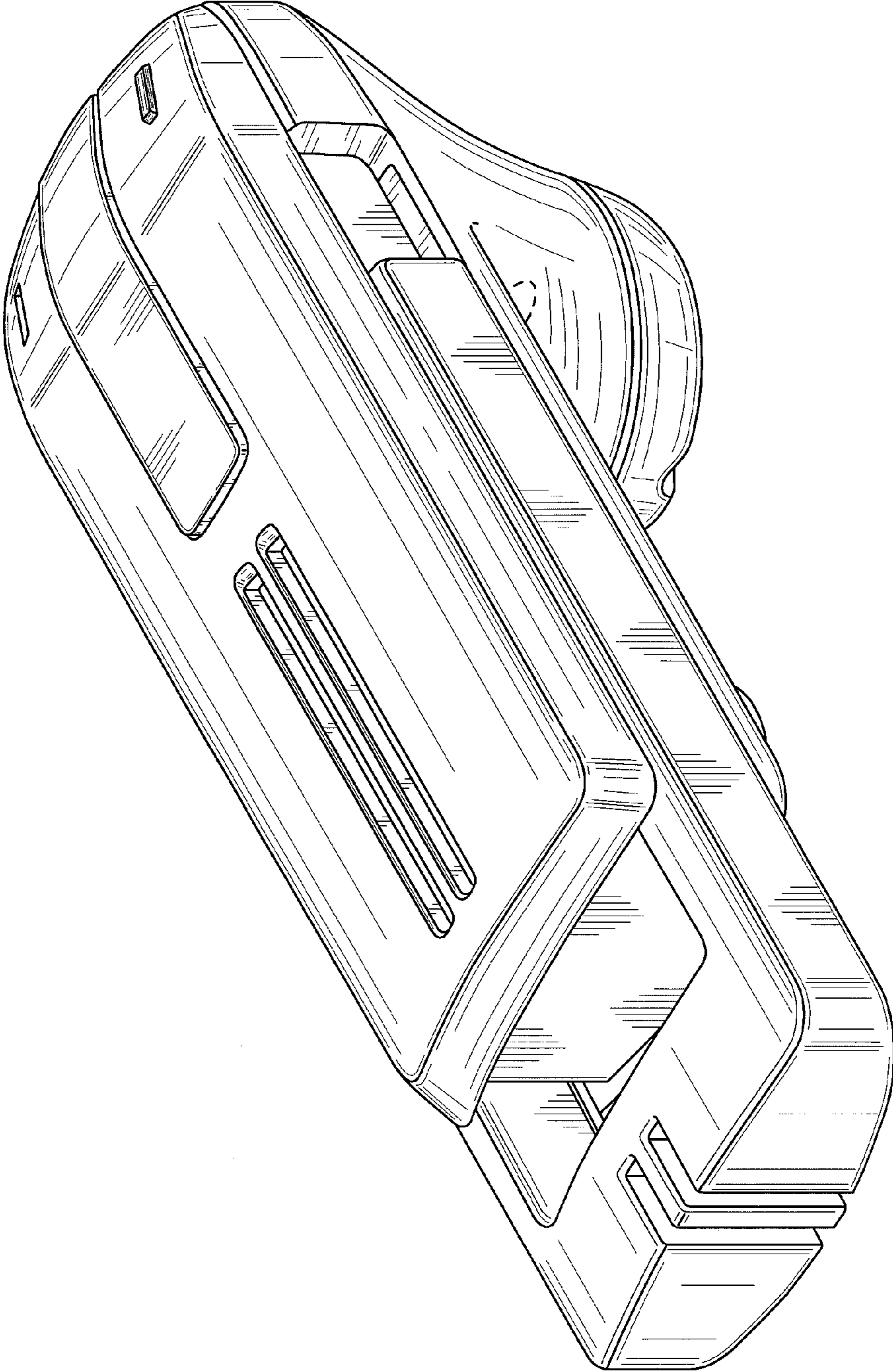
## References Cited

### U.S. PATENT DOCUMENTS

7,925,037 B2 \* 4/2011 Te Riet ..... 381/381  
8,139,781 B2 \* 3/2012 Cheng et al. .... 381/74  
D662,088 S \* 6/2012 Brandis et al. .... D14/223

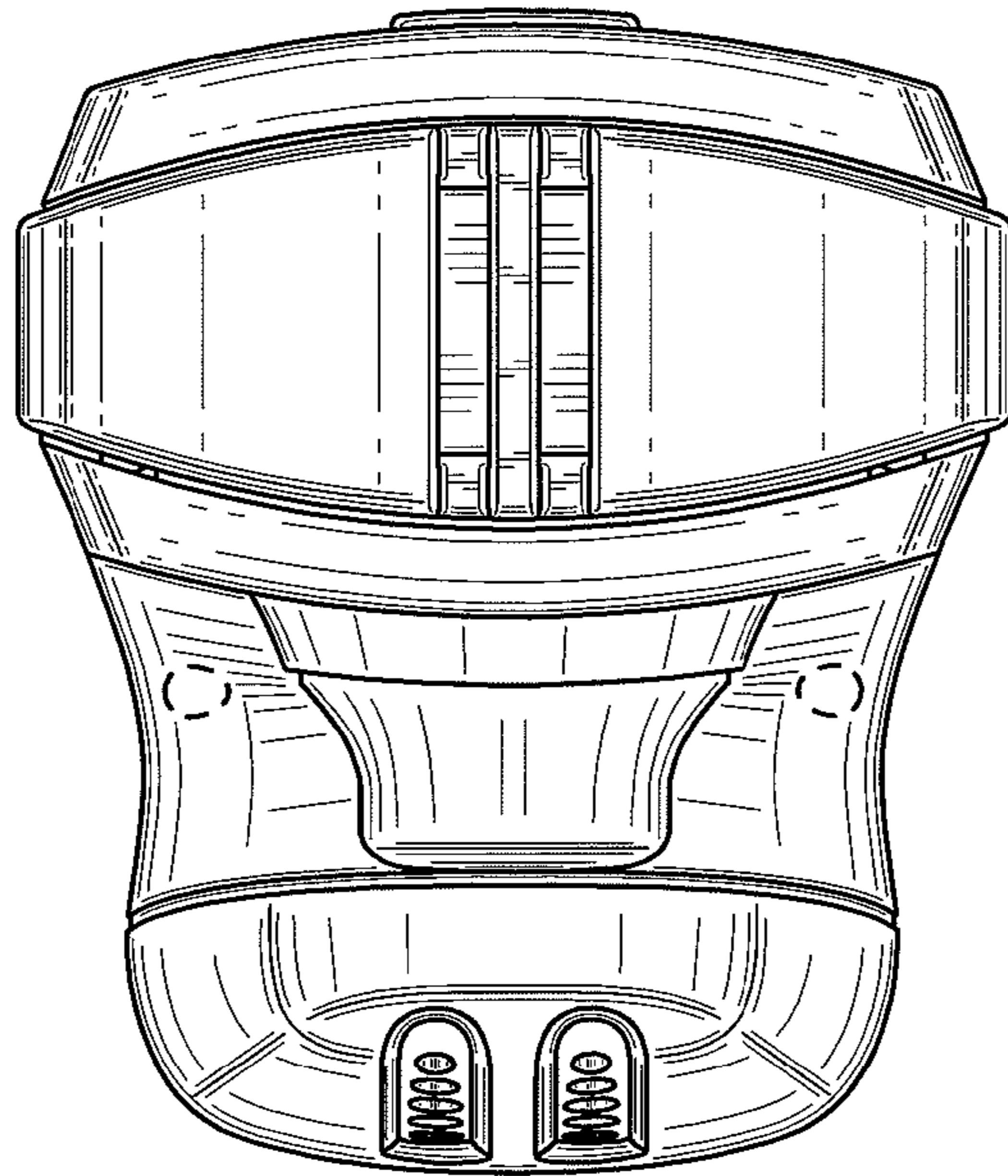
D669,887 S \* 10/2012 Maddern ..... D14/223  
D690,288 S \* 9/2013 Son ..... D14/223  
D696,647 S \* 12/2013 Houghton et al. .... D14/223  
2011/0261988 A1 \* 10/2011 Kromann et al. .... 381/380

\* cited by examiner

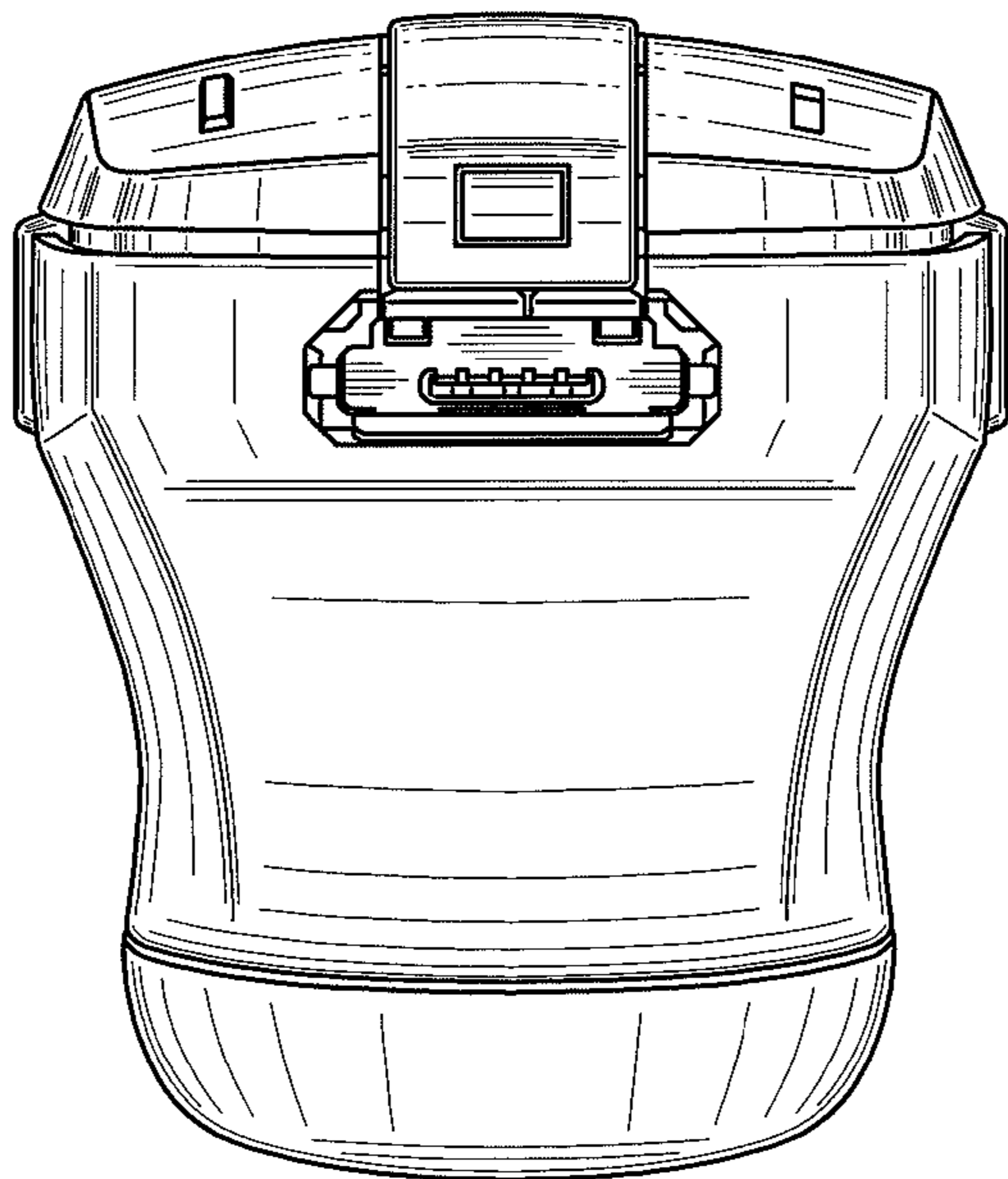


**FIG. 1**

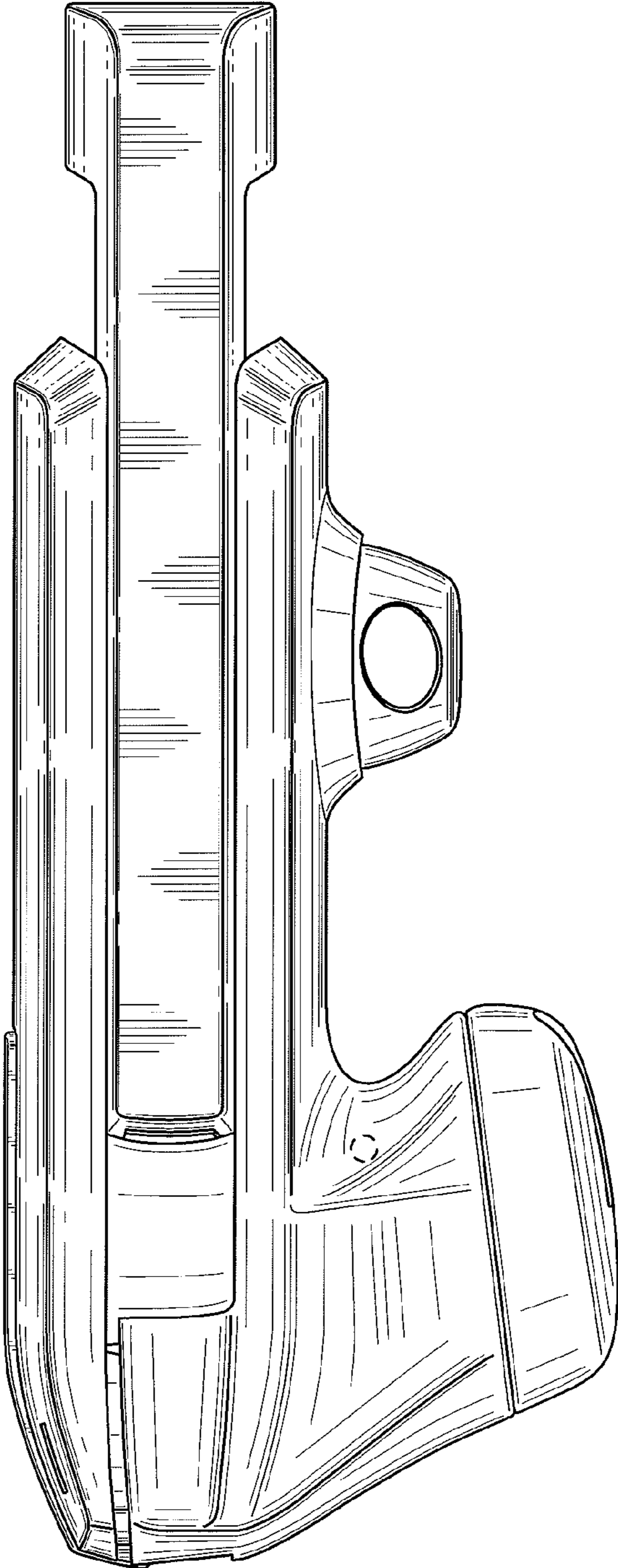




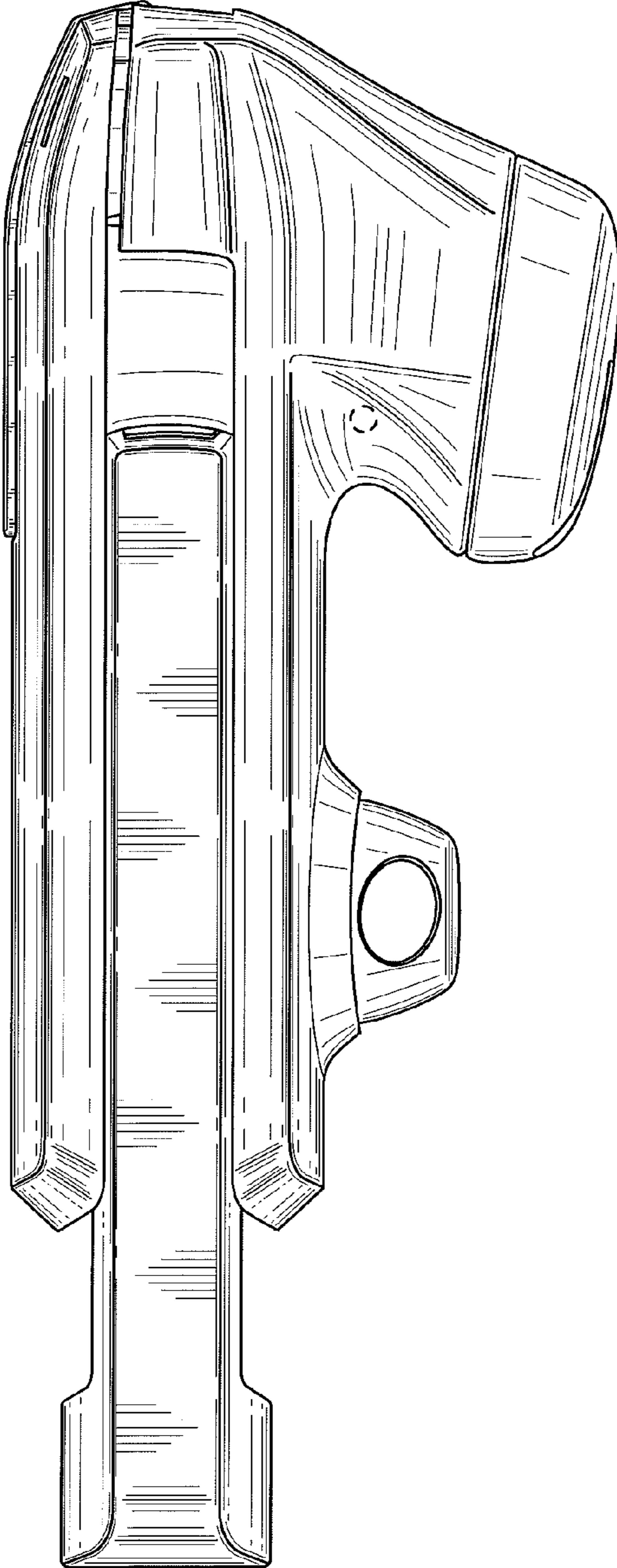
**FIG. 2**



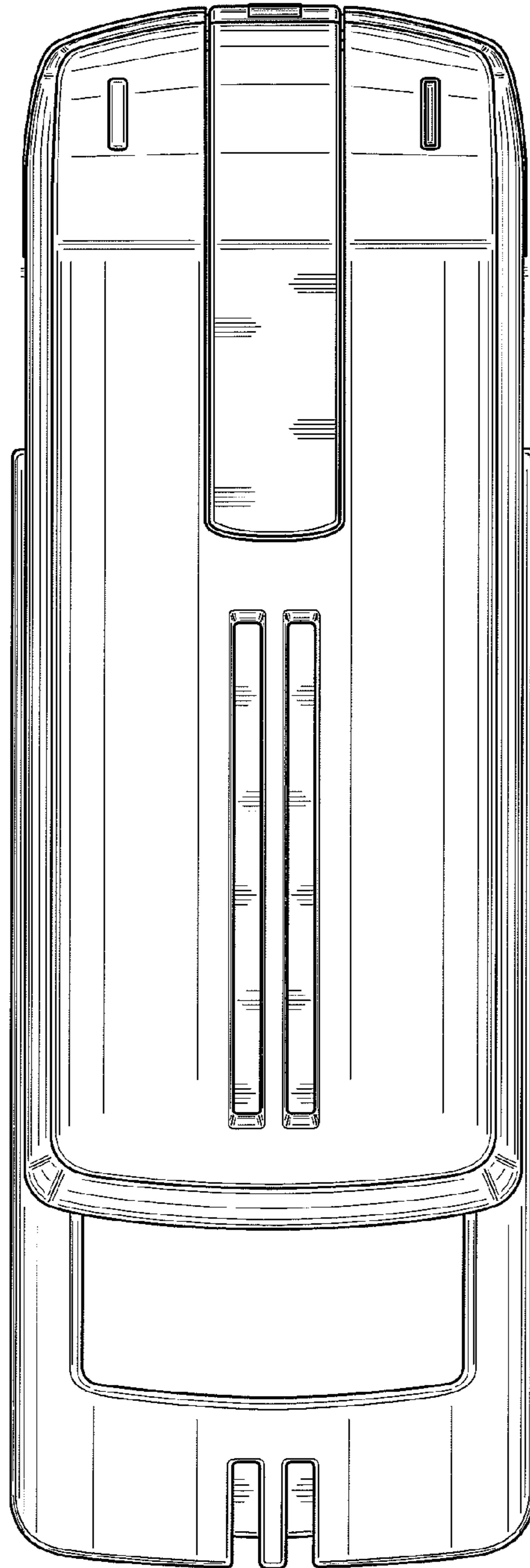
**FIG. 3**



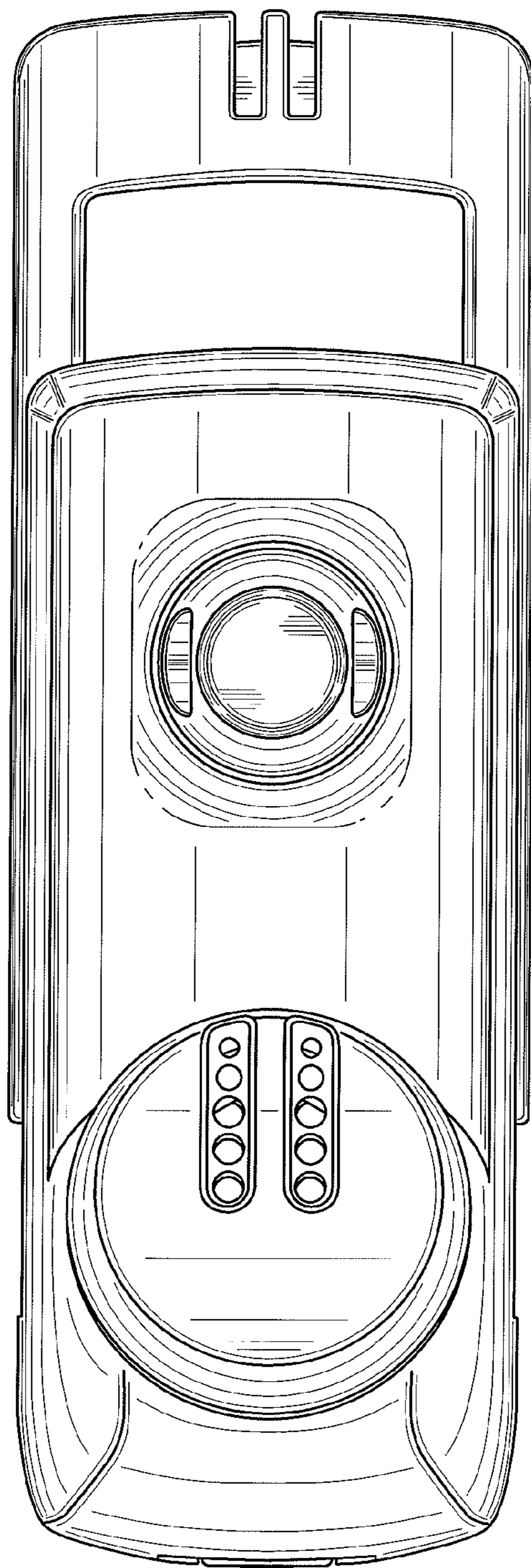
**FIG. 4**



**FIG. 5**



**FIG. 6**



**FIG. 7**