



US00D714255S

(12) **United States Design Patent**
Sparks et al.

(10) **Patent No.:** **US D714,255 S**

(45) **Date of Patent:** **** Sep. 30, 2014**

(54) **HEADSET**

(71) Applicant: **Microsoft Corporation**, Redmond, WA
(US)

(72) Inventors: **Bryan A. Sparks**, Sammamish, WA
(US); **Monika Wolf**, Redmond, WA
(US); **Eric Joseph Wahl**, Kirkland, WA
(US); **Aditha M. Adams**, Seattle, WA
(US); **Audrey C. C. Louchart**, Seattle,
WA (US)

(73) Assignee: **Microsoft Corporation**, Redmond, WA
(US)

(**) Term: **14 Years**

(21) Appl. No.: **29/464,512**

(22) Filed: **Aug. 16, 2013**

(51) **LOC (10) Cl.** **14-01**

(52) **U.S. Cl.**
USPC **D14/206; D14/205**

(58) **Field of Classification Search**
CPC H04R 1/1066
USPC D14/206, 205, 372, 188, 192, 230, 225,
D14/226; D29/110, 112, 122; D24/186,
D24/191, 106; 181/129, 130, 135; 379/430,
379/431; 381/375, 376, 361, 374; 132/273,
132/275; D28/41; 128/864, 866; 2/171,
2/DIG. 11

See application file for complete search history.

(56) **References Cited**

U.S. PATENT DOCUMENTS

4,597,469 A * 7/1986 Nagashima 181/129
D300,133 S * 3/1989 Daidoh et al. D14/205
D310,081 S * 8/1990 Daido et al. D14/205
D316,551 S * 4/1991 Ichikawa D14/205
D350,354 S * 9/1994 Nakamura D14/205

D371,558 S * 7/1996 Yoshizawa D14/205
6,016,574 A * 1/2000 Chen 2/209
D430,140 S * 8/2000 Roman D14/205
D461,931 S * 8/2002 Kelly D28/41
D463,857 S * 10/2002 Dix et al. D24/106
6,560,346 B2 * 5/2003 Ohta et al. 381/382
D518,479 S * 4/2006 Skulley D14/225
D530,307 S * 10/2006 Rath D14/206
D534,156 S * 12/2006 Obata D14/205
D539,788 S * 4/2007 Thompson et al. D14/225
D540,777 S * 4/2007 Rausch et al. D14/205
D541,256 S * 4/2007 Rausch et al. D14/205
D588,100 S * 3/2009 Densho et al. D14/205

(Continued)

Primary Examiner — Paula Greene

(74) *Attorney, Agent, or Firm* — Banner & Witcoff, Ltd.

(57) **CLAIM**

The ornamental design for a headset, as shown and described.

DESCRIPTION

FIG. 1 is a front perspective view of a headset showing our new design;

FIG. 2 is a front view thereof;

FIG. 3 is a rear view thereof;

FIG. 4 is a right side view thereof;

FIG. 5 is a left side view thereof;

FIG. 6 is a top view thereof;

FIG. 7 is a bottom view thereof;

FIG. 8 is a front perspective view of the headset of FIGS. 1-7 showing a portion of the headset in a second positional state;

FIG. 9 is a front view thereof;

FIG. 10 is a rear view thereof;

FIG. 11 is a right side view thereof;

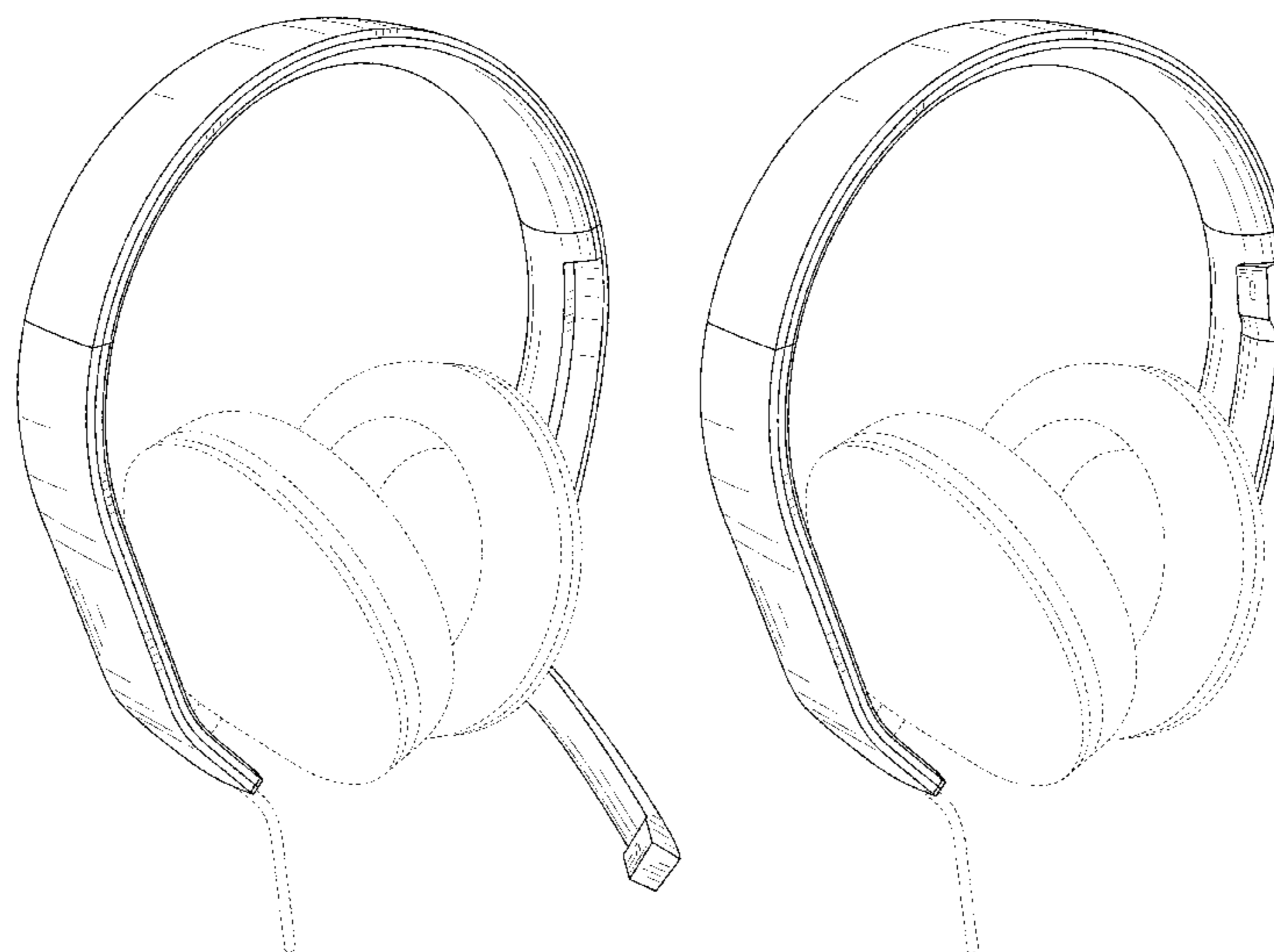
FIG. 12 is a left side view thereof;

FIG. 13 is a top view thereof; and,

FIG. 14 is a bottom view thereof.

The broken line showing of the remainder of the headset and the earcups is for environmental purposes only and forms no part of the claimed design.

1 Claim, 13 Drawing Sheets



US D714,255 S

Page 2

(56)

References Cited

U.S. PATENT DOCUMENTS

D654,471 S 2/2012 Fischer

D654,472 S 2/2012 Fischer
D663,717 S * 7/2012 Hutchieson D14/206
D697,495 S * 1/2014 Lian D14/205

* cited by examiner

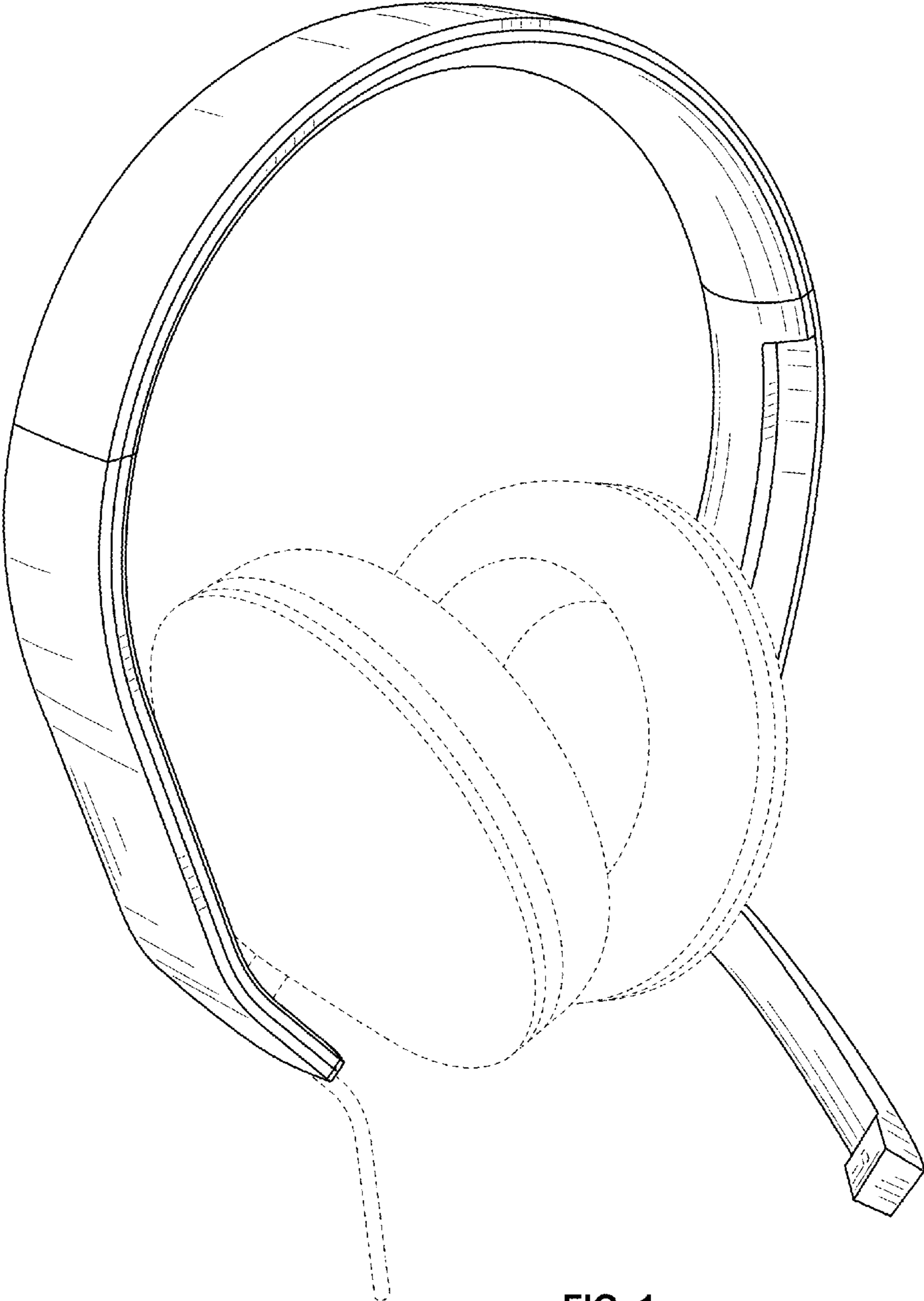


FIG. 1

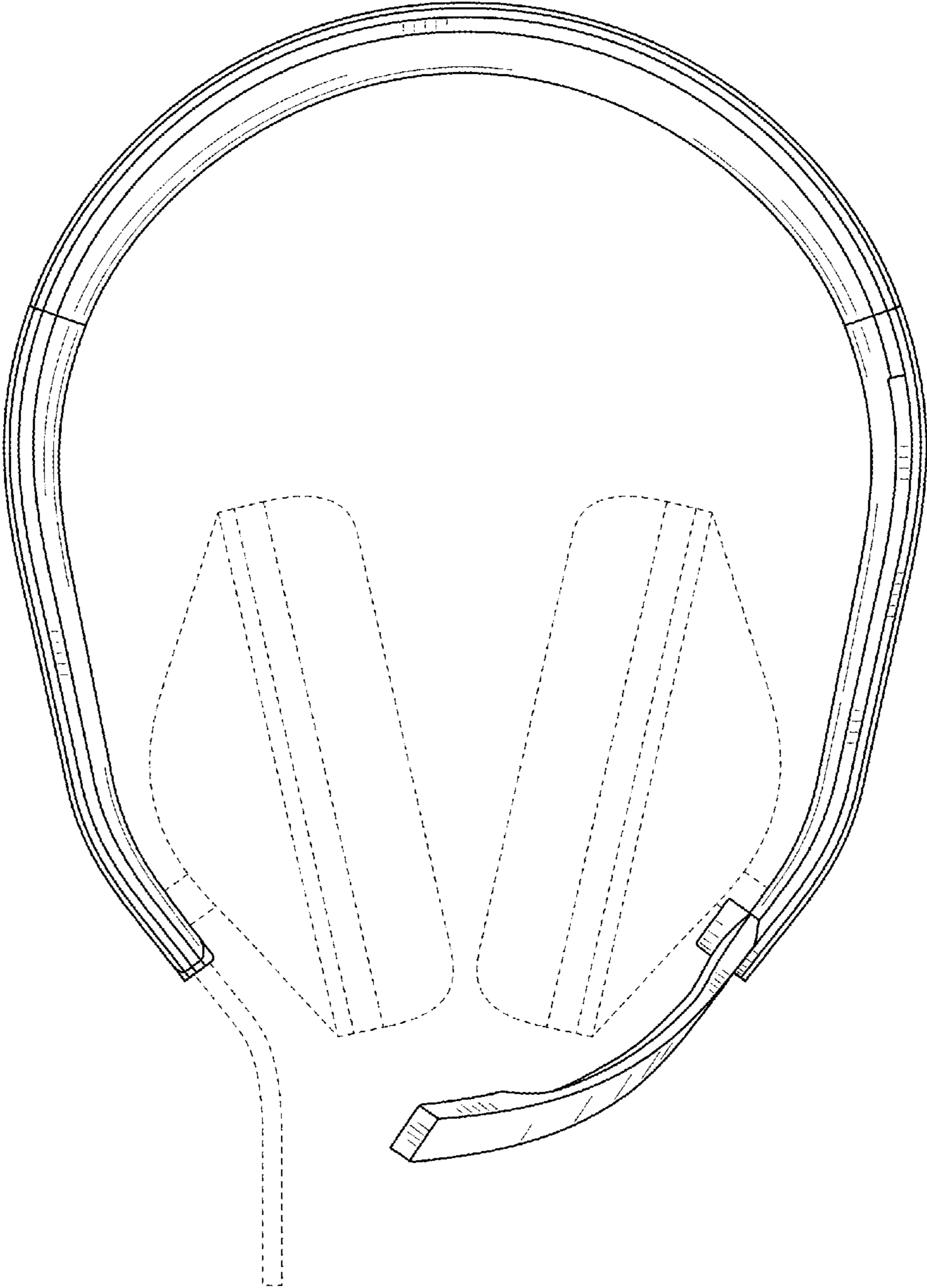


FIG. 2

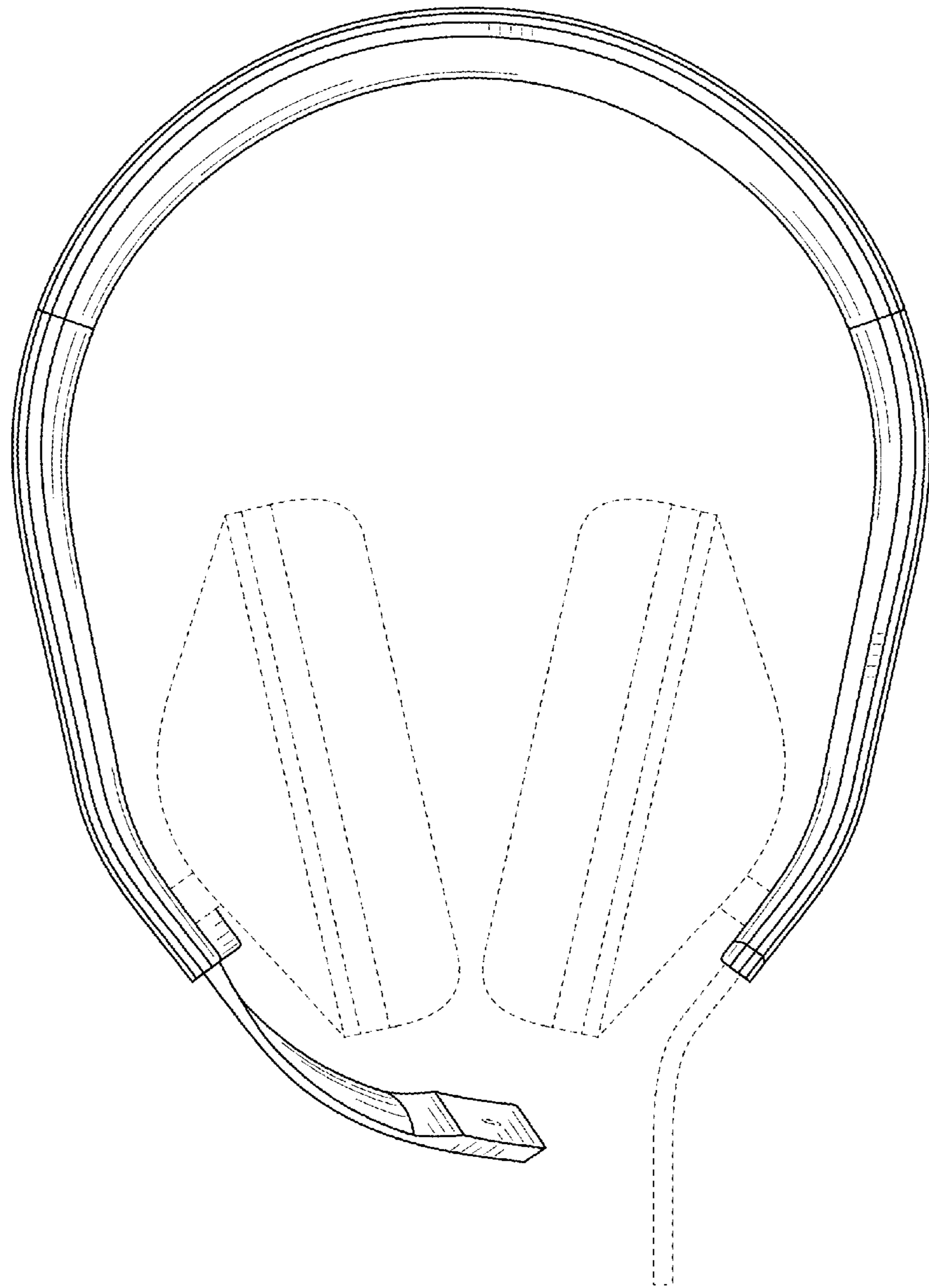


FIG. 3

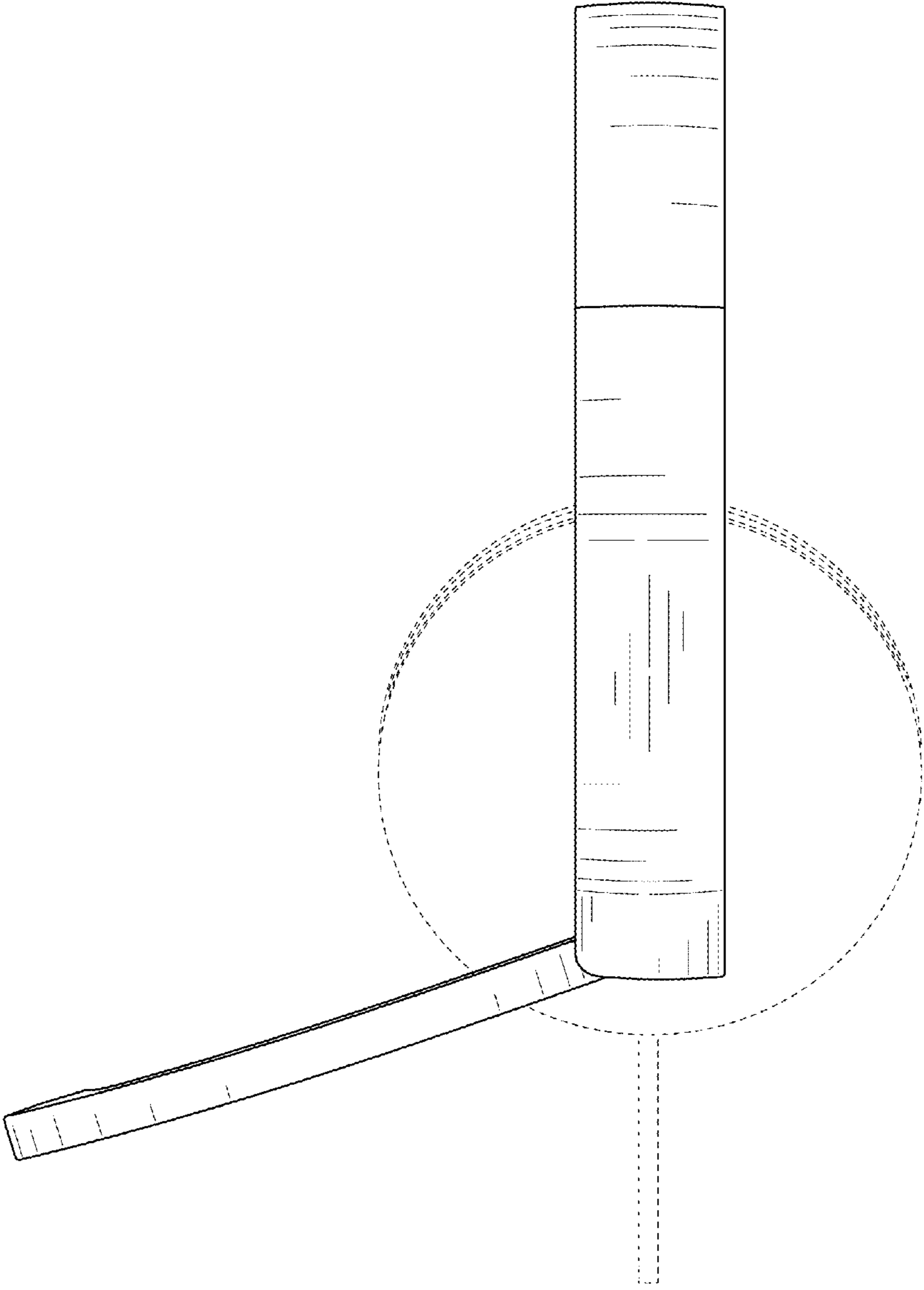


FIG. 4

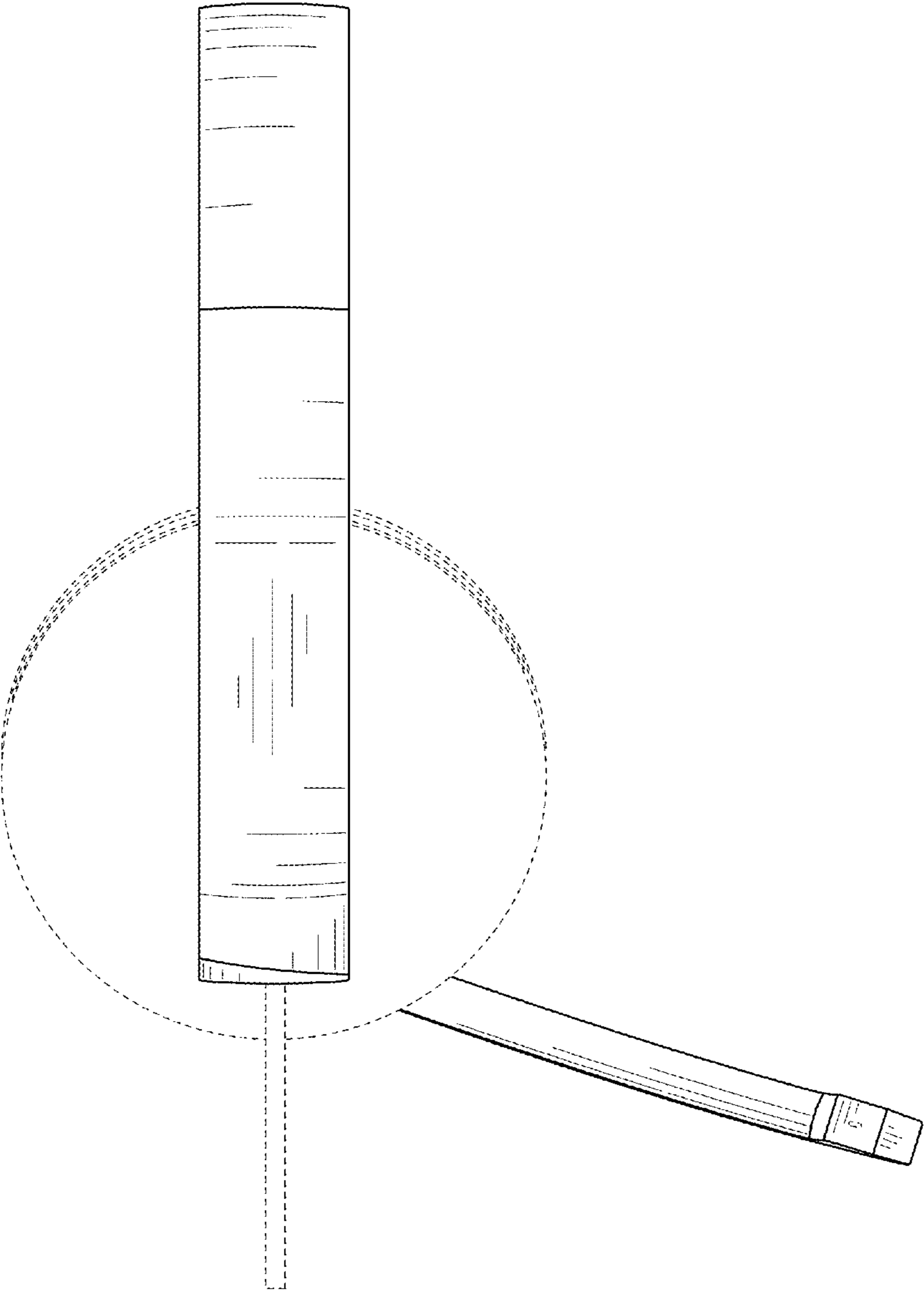


FIG. 5

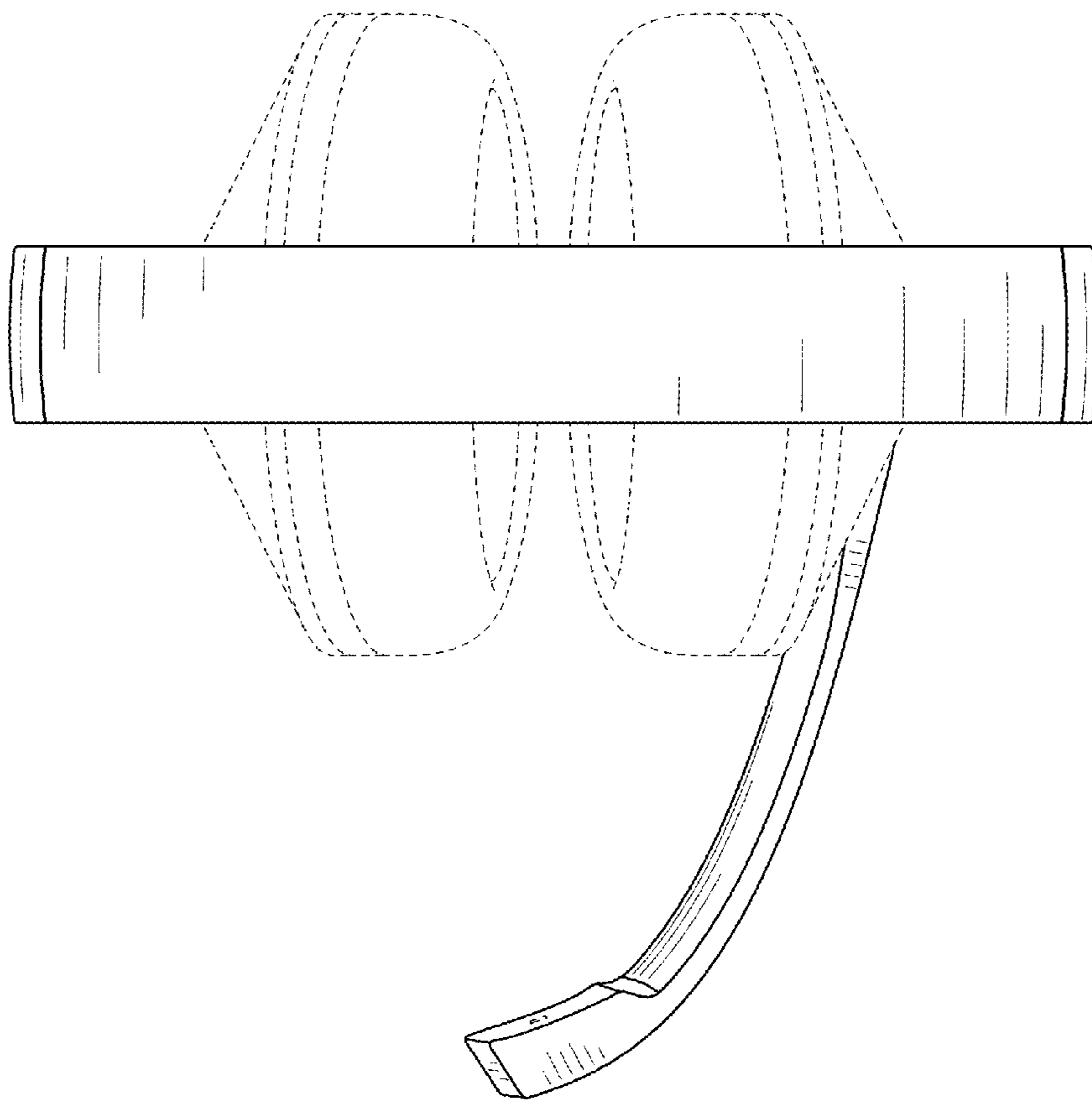


FIG. 6

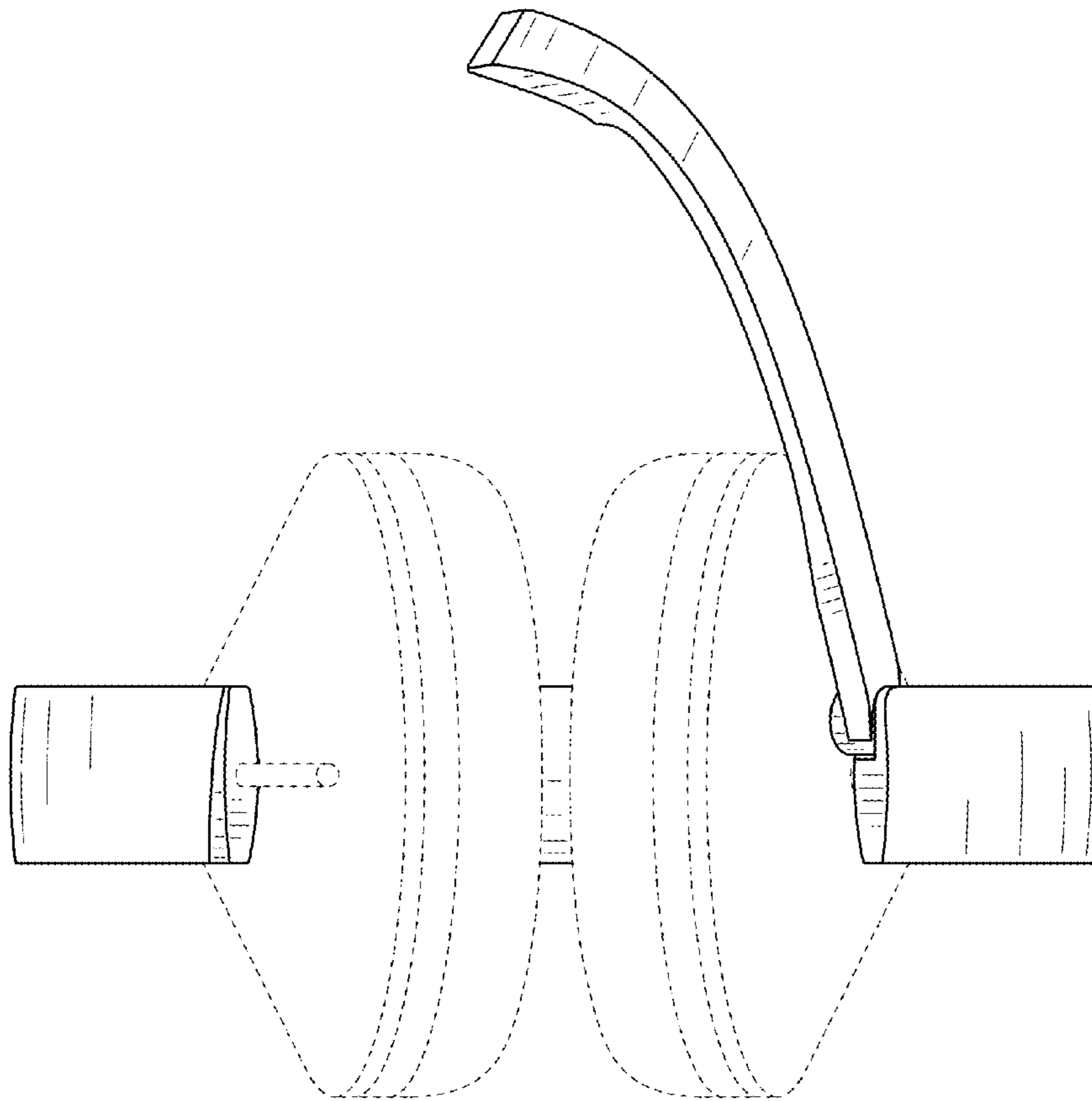


FIG. 7

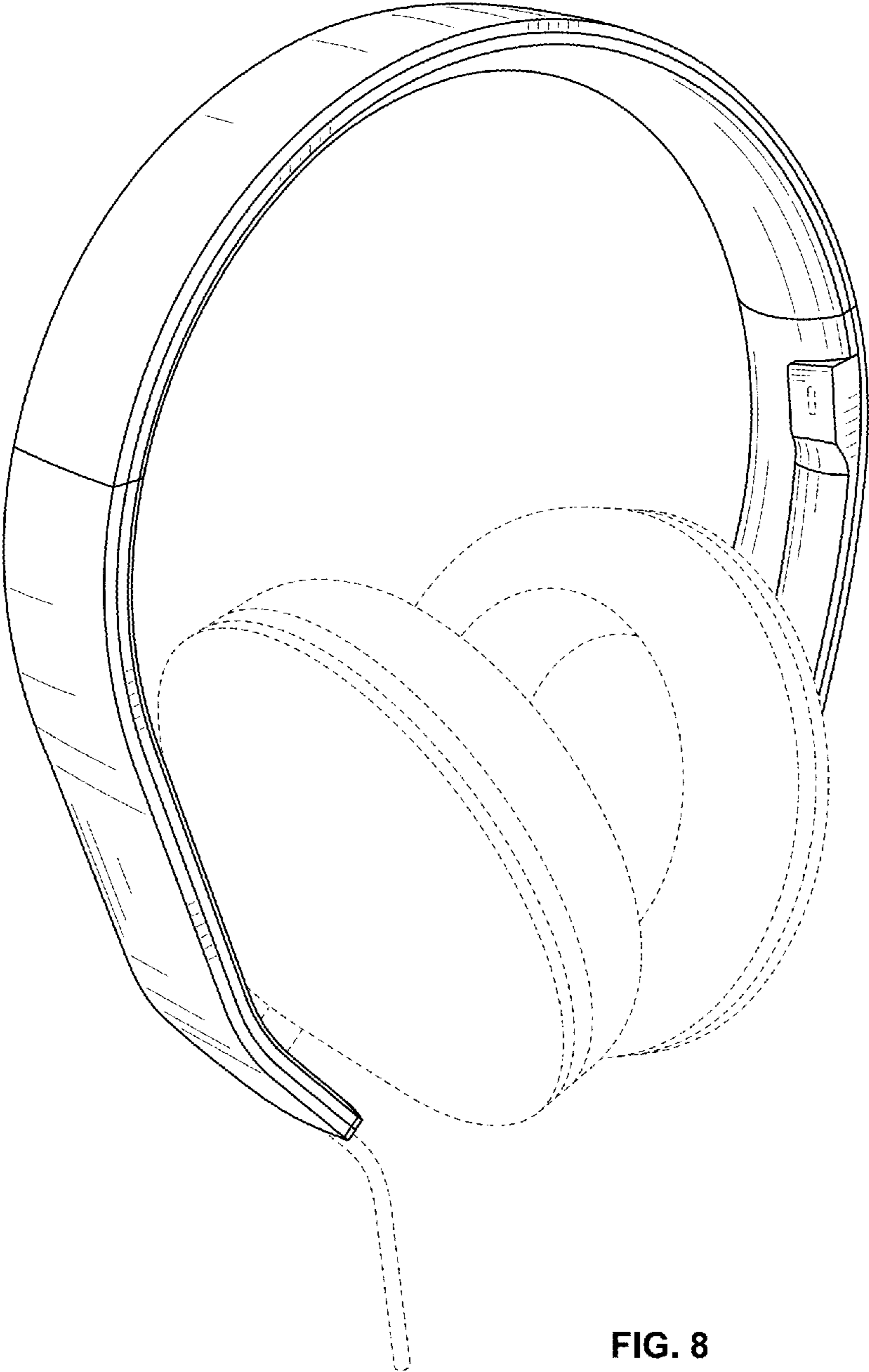


FIG. 8

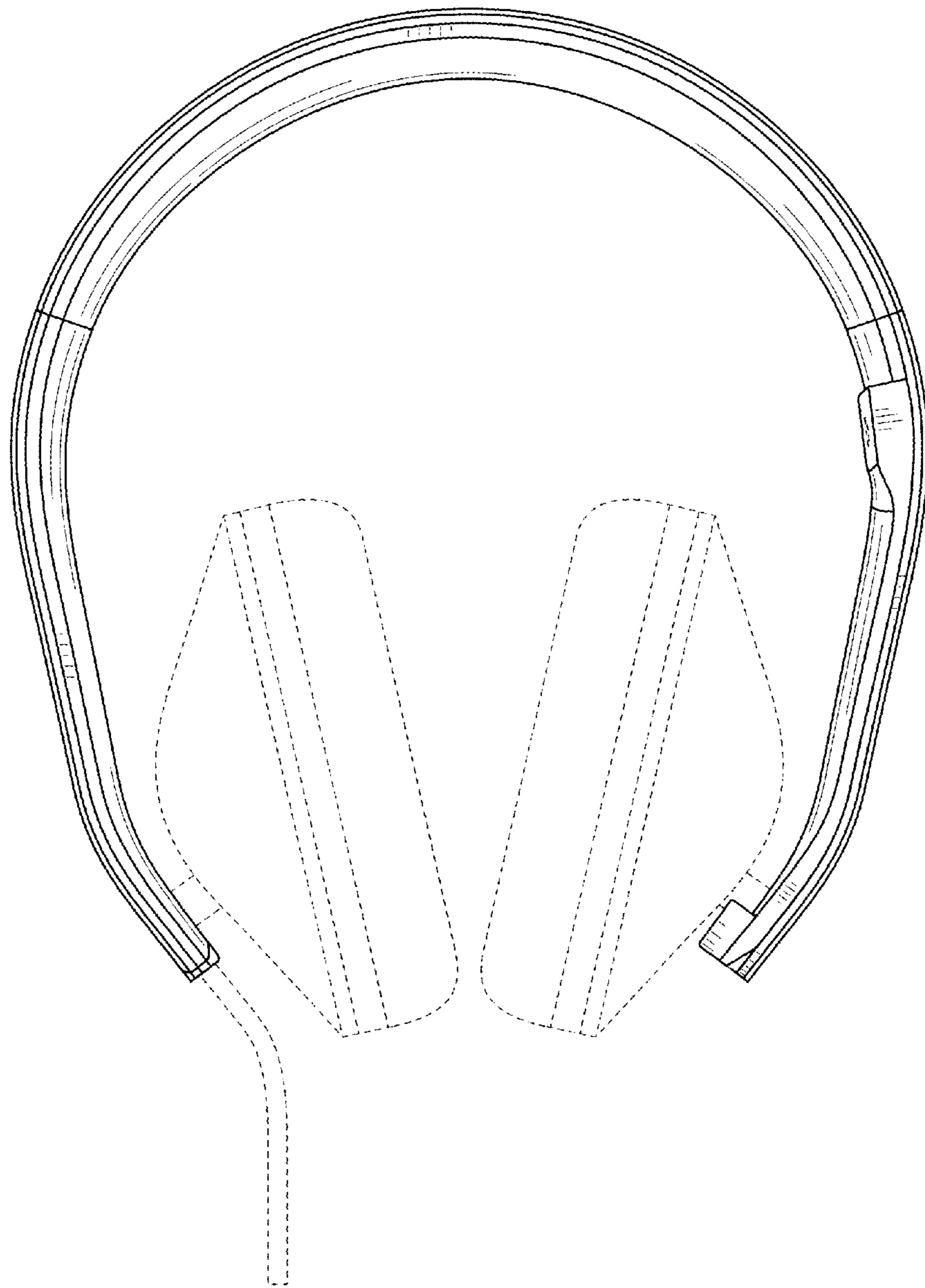


FIG. 9

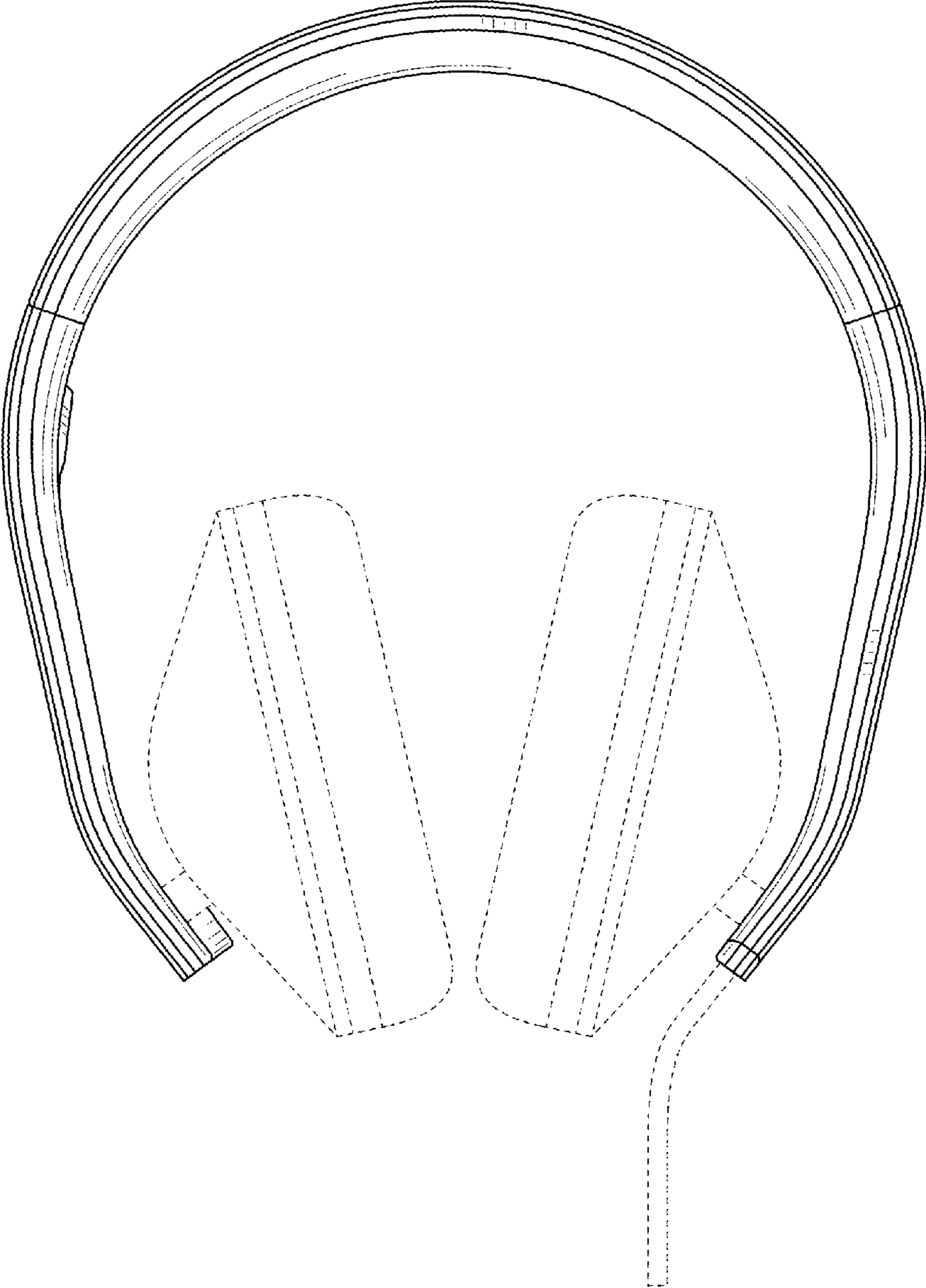


FIG. 10

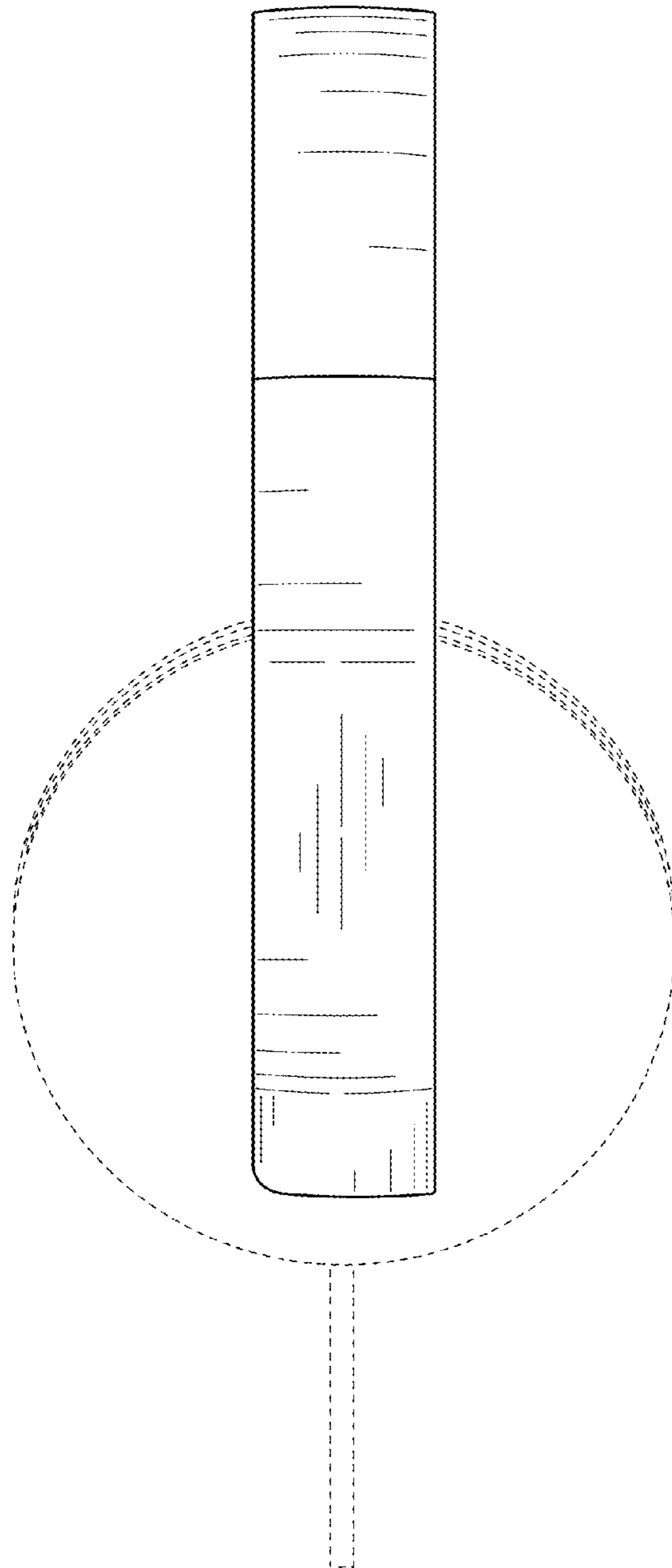


FIG. 11

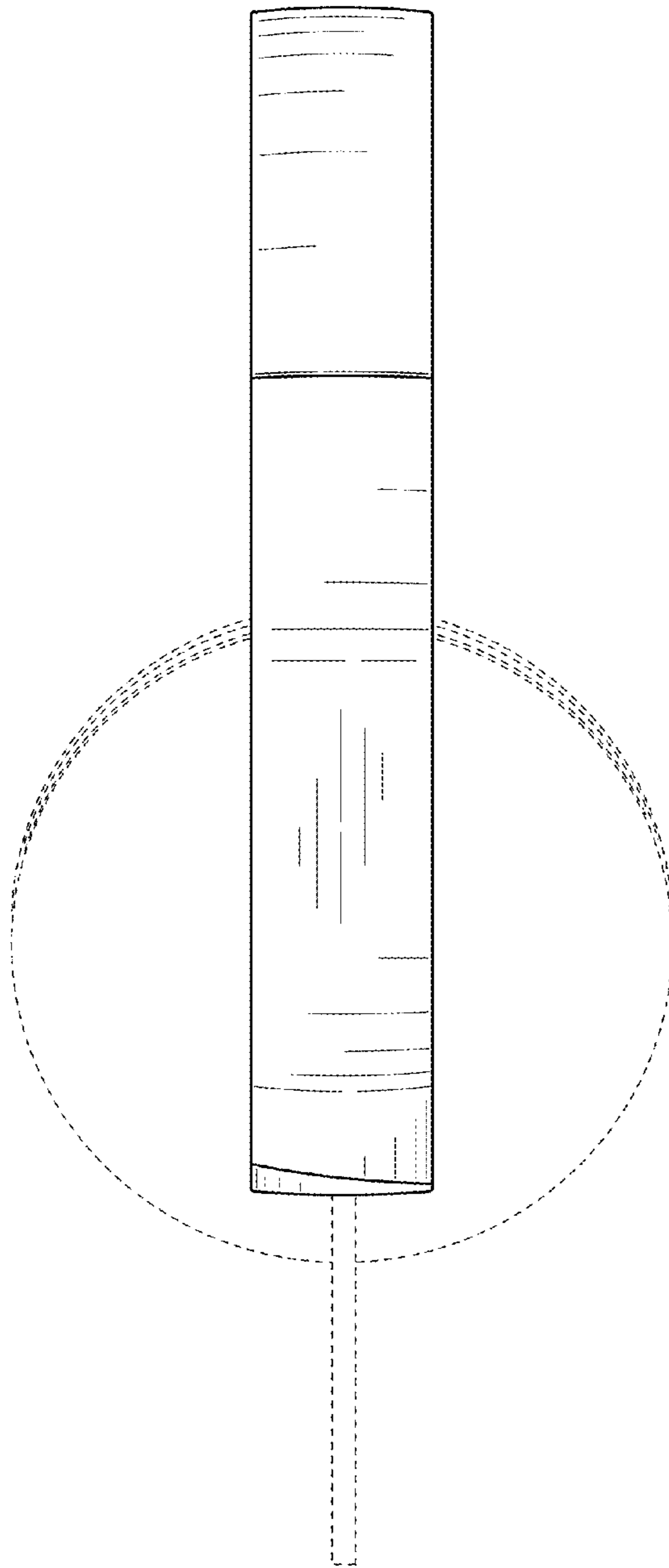


FIG. 12

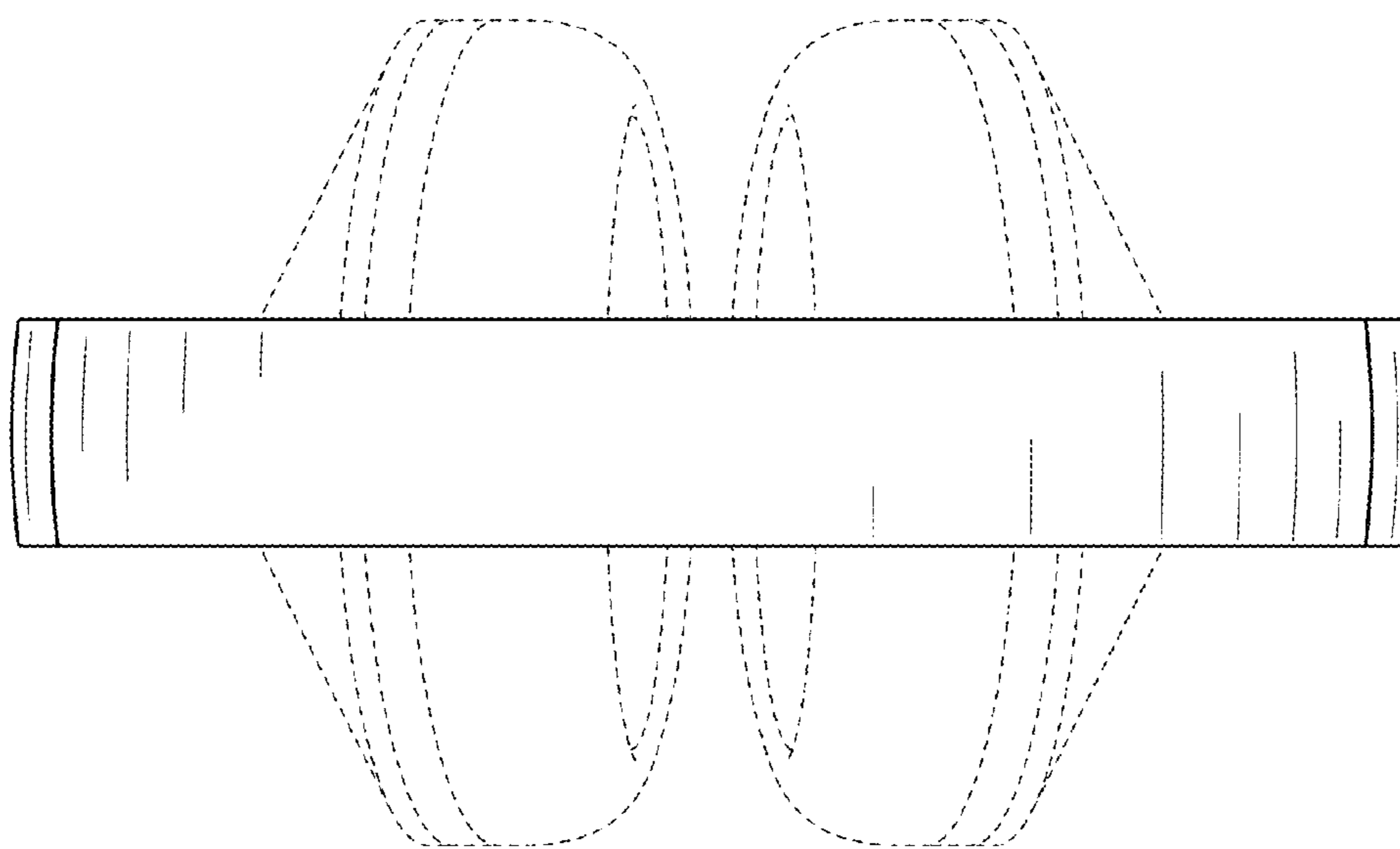


FIG. 13

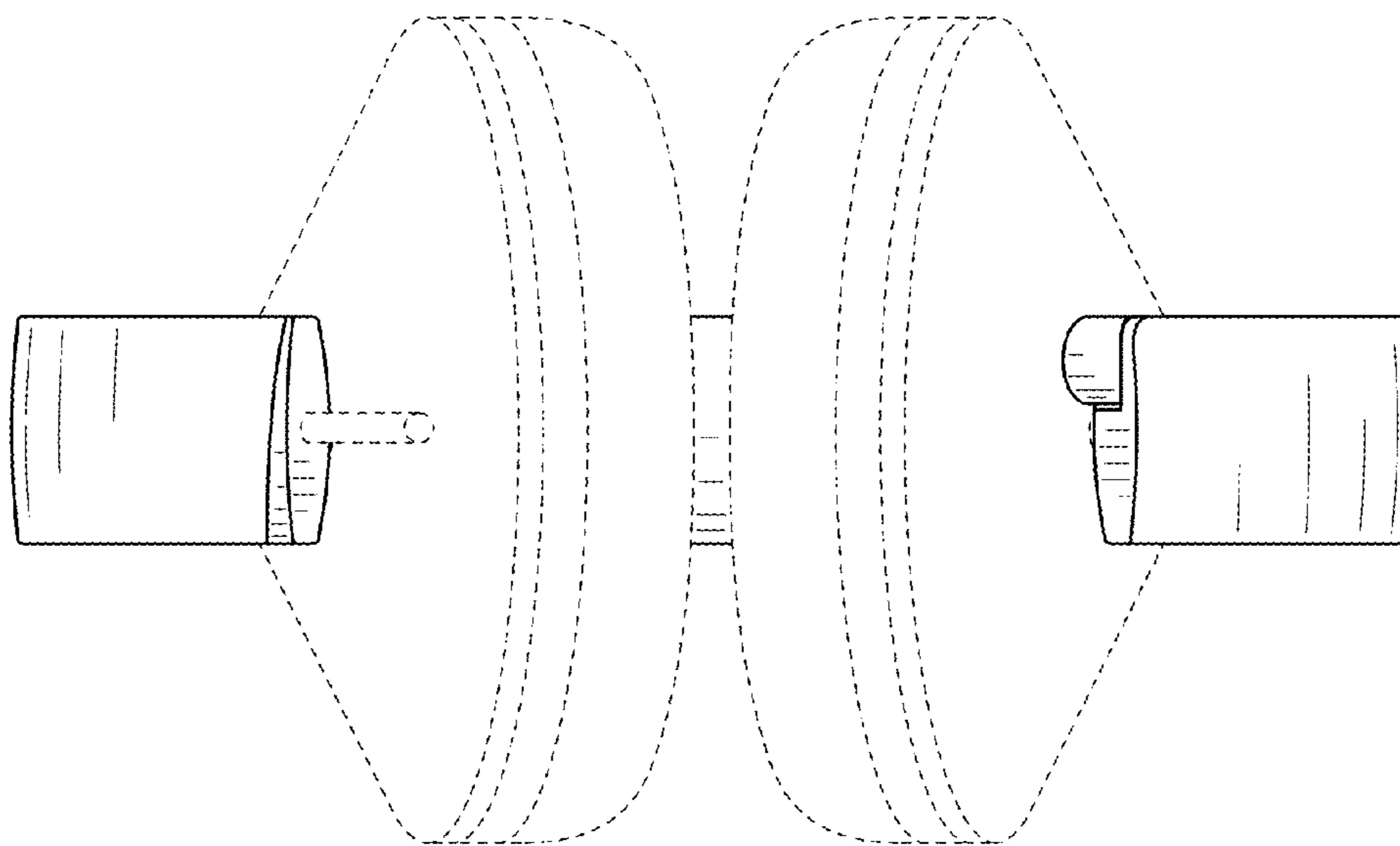


FIG. 14