



US00D714253S

(12) **United States Design Patent**  
**Aglassinger et al.**

(10) **Patent No.:** **US D714,253 S**

(45) **Date of Patent:** **\*\* Sep. 30, 2014**

(54) **EQUIPMENT FOR REPRODUCTION OF SOUND**

(71) Applicant: **Robert Bosch GmbH**, Stuttgart (DE)

(72) Inventors: **Hans-Peter Aglassinger**, Esslingen (DE); **Ulrich Warth**, Stuttgart (DE)

(73) Assignee: **Robert Bosch GmbH**, Stuttgart (DE)

(\*\*) Term: **14 Years**

(21) Appl. No.: **29/466,783**

(22) Filed: **Sep. 11, 2013**

(30) **Foreign Application Priority Data**

Mar. 12, 2013 (EM) ..... 002201020

(51) **LOC (10) Cl.** ..... **14-03**

(52) **U.S. Cl.**  
USPC ..... **D14/188**

(58) **Field of Classification Search**  
USPC ..... D13/103, 106, 184; D14/132, 133, 137, D14/138 AB, 155, 188, 193, 196, 203.4, D14/210, 211, 213, 214, 221, 242, 243, 257, D14/258, 265, 315, 321, 345, 348, 351, 353, D14/358, 433, 496, 498, 500-503; D26/72, D26/104, 118; 359/258; 375/222; 379/25, 379/93.09, 93.19, 156, 220.01, 221.09, 338, 379/339, 441; 455/557; 711/100, 115; 720/270, 658, 691; 725/111

See application file for complete search history.

(56) **References Cited**

U.S. PATENT DOCUMENTS

D264,843 S *	6/1982	Karas et al. ....	D14/313
D338,671 S *	8/1993	Ito et al. ....	D14/160
D404,396 S *	1/1999	Mackie et al. ....	D14/188
D467,226 S *	12/2002	Lee .....	D13/123
D535,944 S *	1/2007	Albano et al. ....	D13/110
D560,133 S *	1/2008	Heller .....	D10/106.1
D580,911 S *	11/2008	Andre et al. ....	D14/214
D597,530 S *	8/2009	Andre et al. ....	D14/214
D640,668 S *	6/2011	Chern .....	D14/214
D675,160 S *	1/2013	Tanaka et al. ....	D13/123
D689,051 S *	9/2013	Lee et al. ....	D14/358

\* cited by examiner

*Primary Examiner* — Stella Reid

*Assistant Examiner* — Janice Lim

(74) *Attorney, Agent, or Firm* — Maginot, Moore & Beck

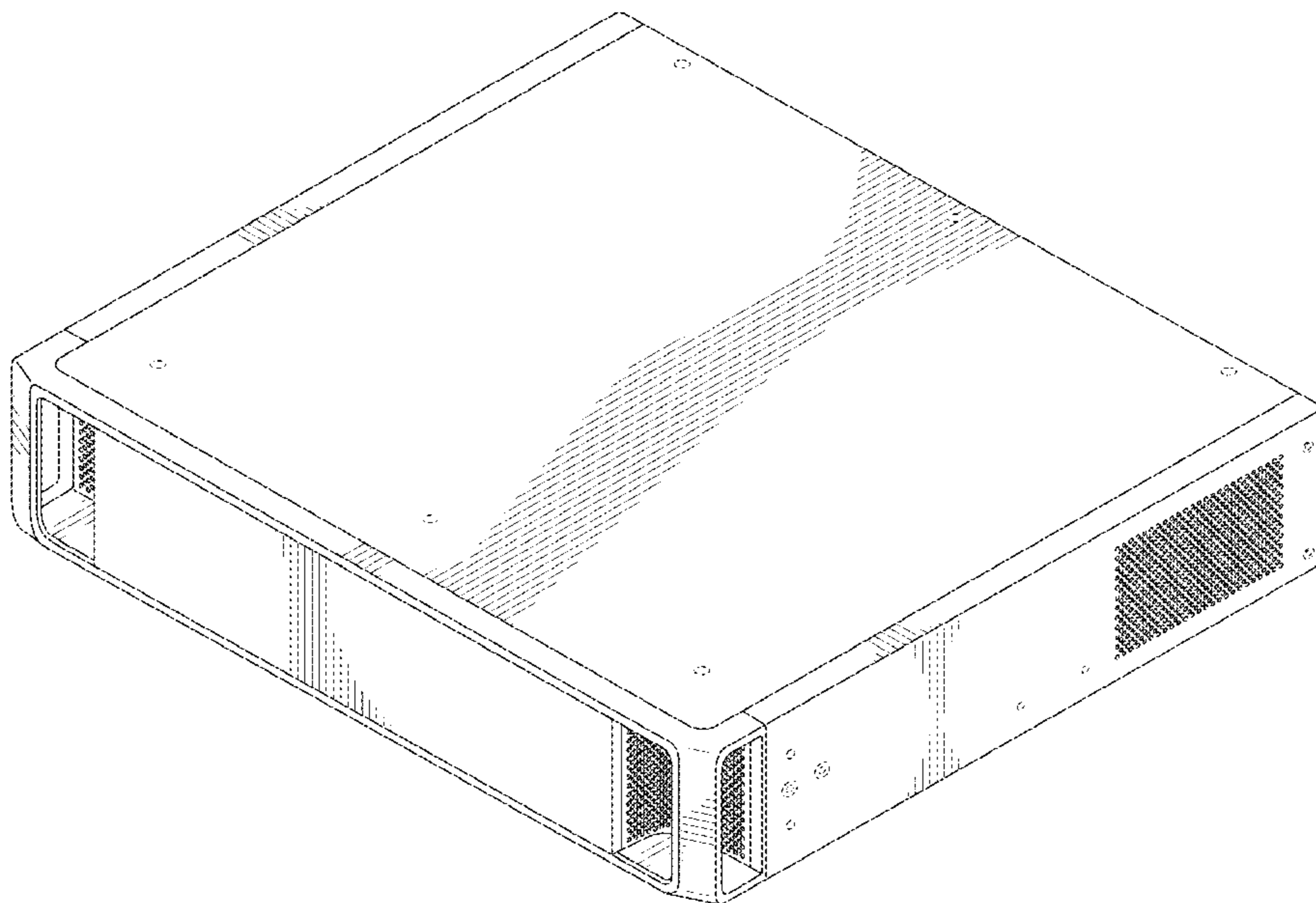
(57) **CLAIM**

The ornamental design for equipment for reproduction of sound, as shown and described.

**DESCRIPTION**

FIG. 1 is a perspective view of equipment for reproduction of sound showing our new design;  
FIG. 2 is a front elevational view showing the design for the equipment for reproduction of sound of FIG. 1;  
FIG. 3 is a rear elevational view showing the design for the equipment for reproduction of sound of FIG. 1;  
FIG. 4 is a right side elevational view showing the design for the equipment for reproduction of sound of FIG. 1;  
FIG. 5 is a left side elevational view showing the design for the equipment for reproduction of sound of FIG. 1;  
FIG. 6 is a top plan view showing the design for the equipment for reproduction of sound of FIG. 1; and,  
FIG. 7 is a bottom plan view showing the design for the equipment for reproduction of sound of FIG. 1.

**1 Claim, 7 Drawing Sheets**



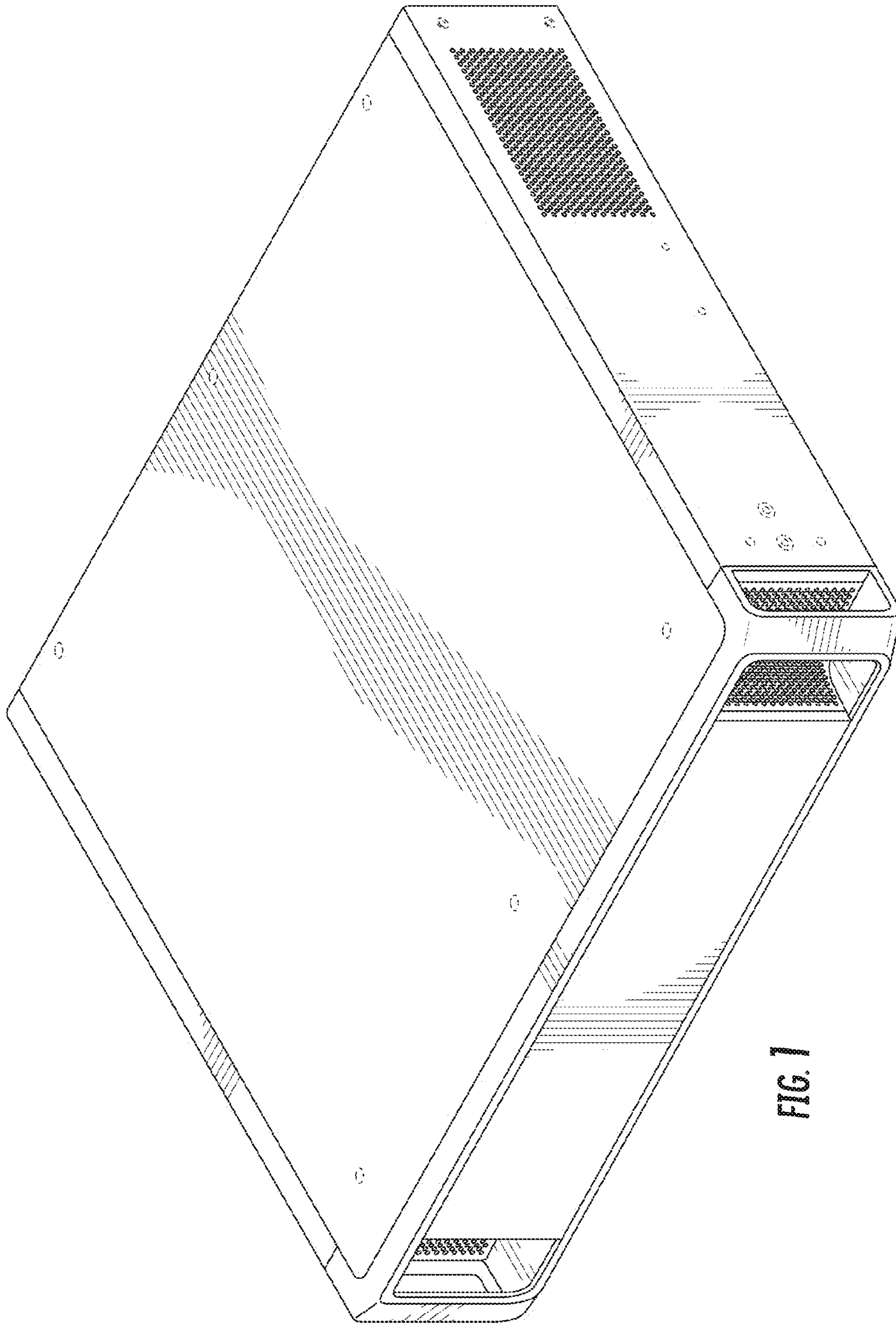


FIG. 1

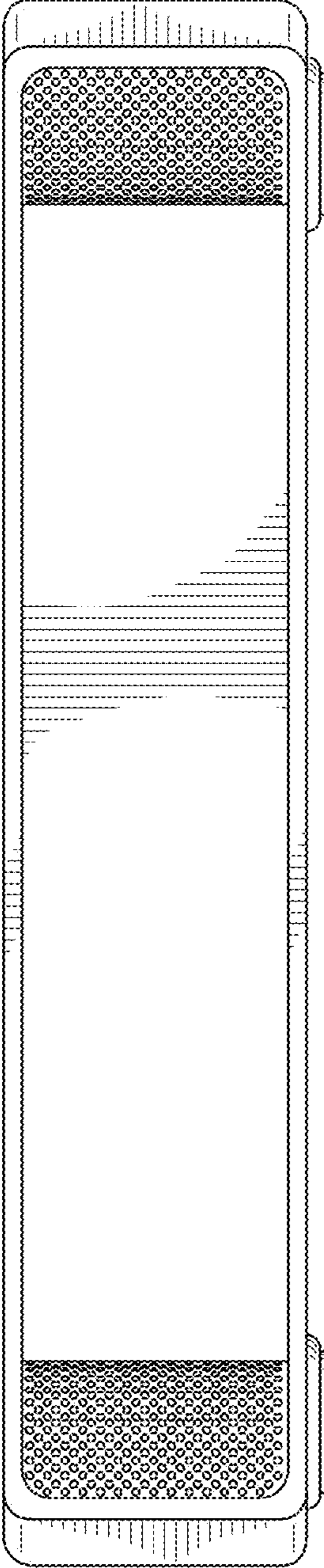


FIG. 2

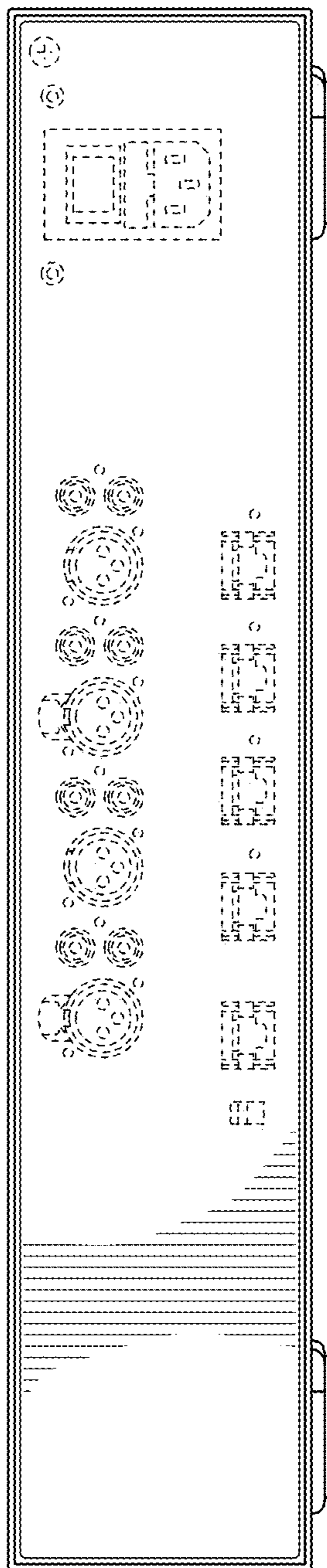


FIG. 3

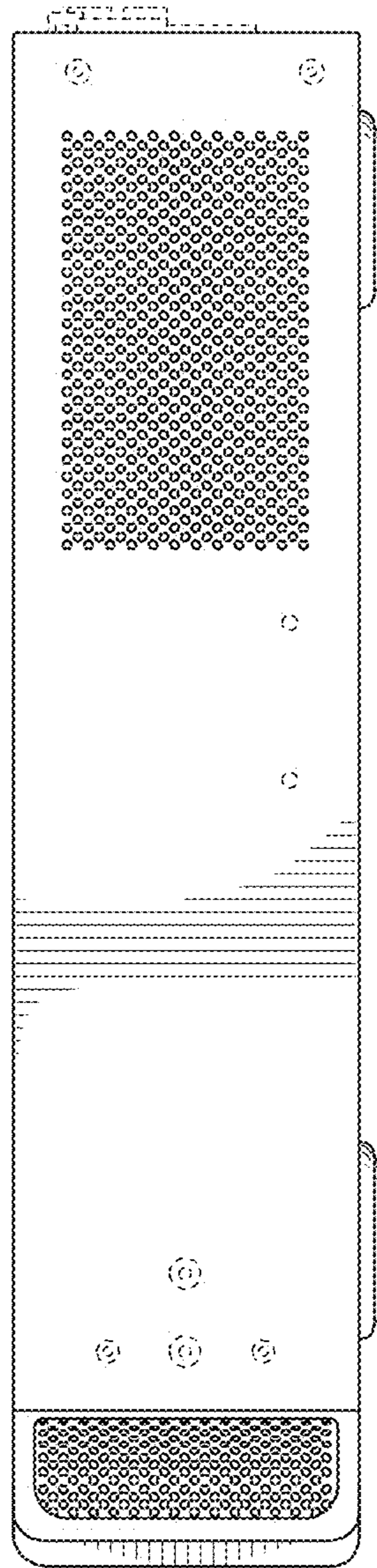


FIG. 4

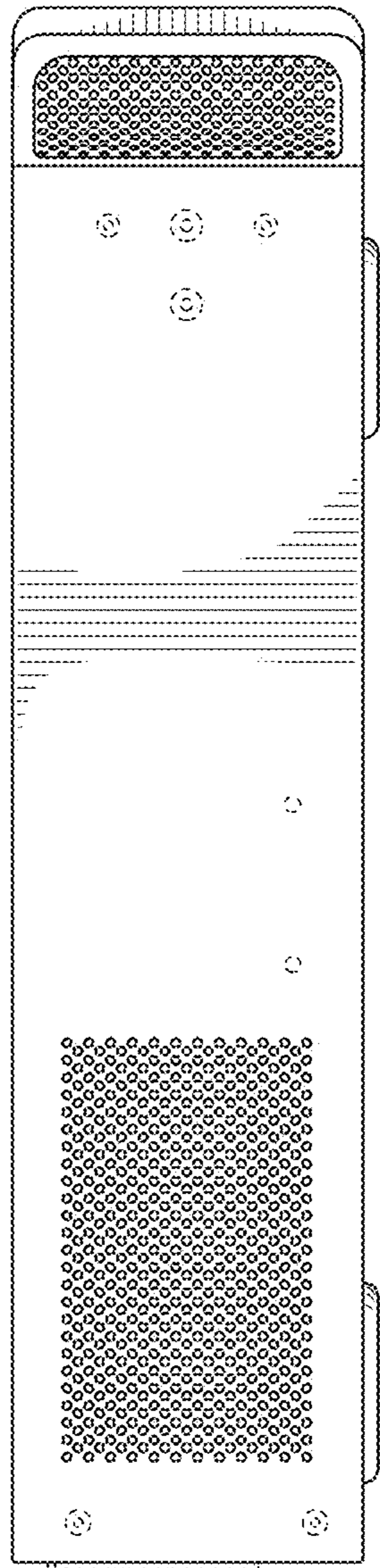


FIG. 5

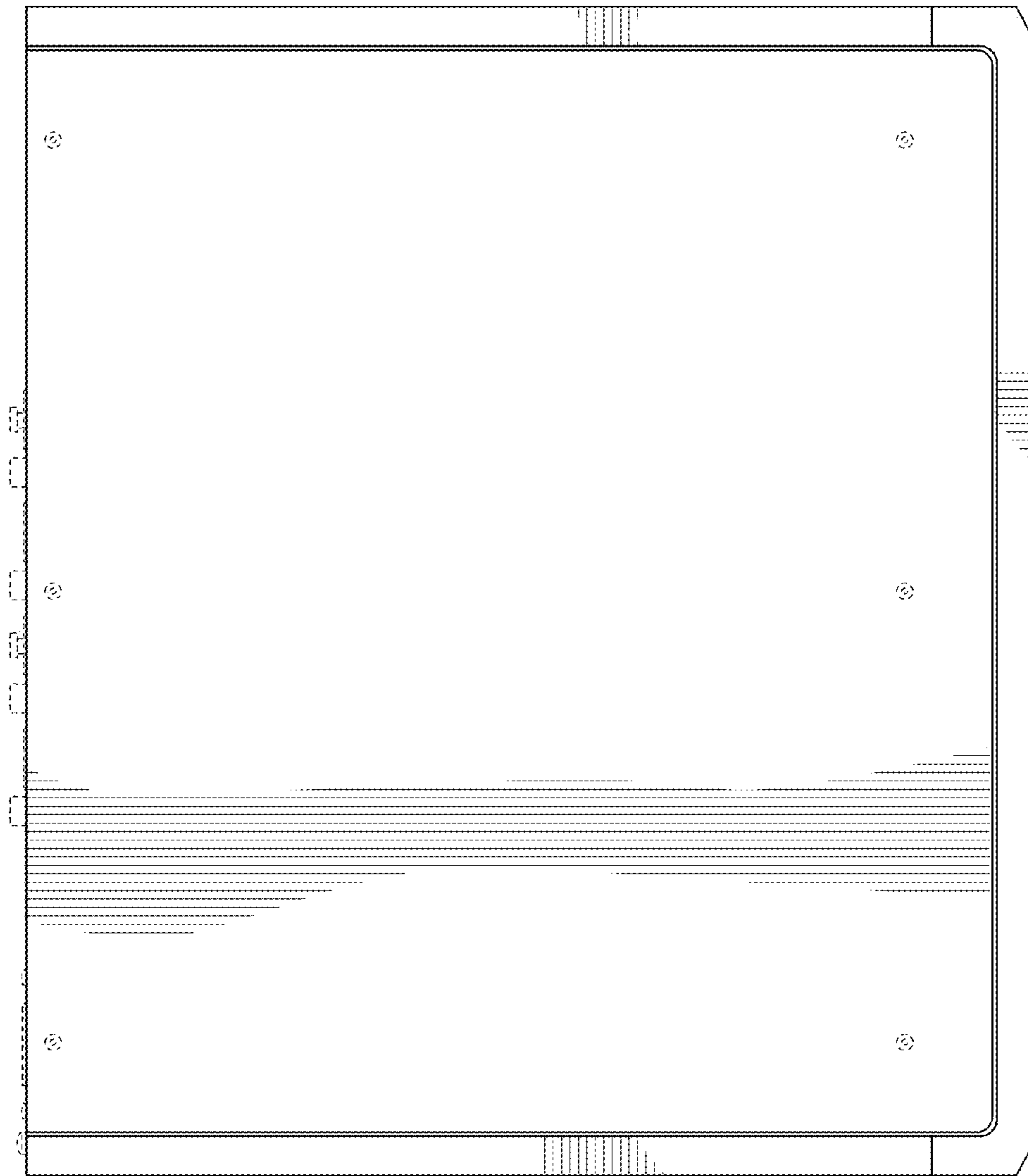


FIG. 6

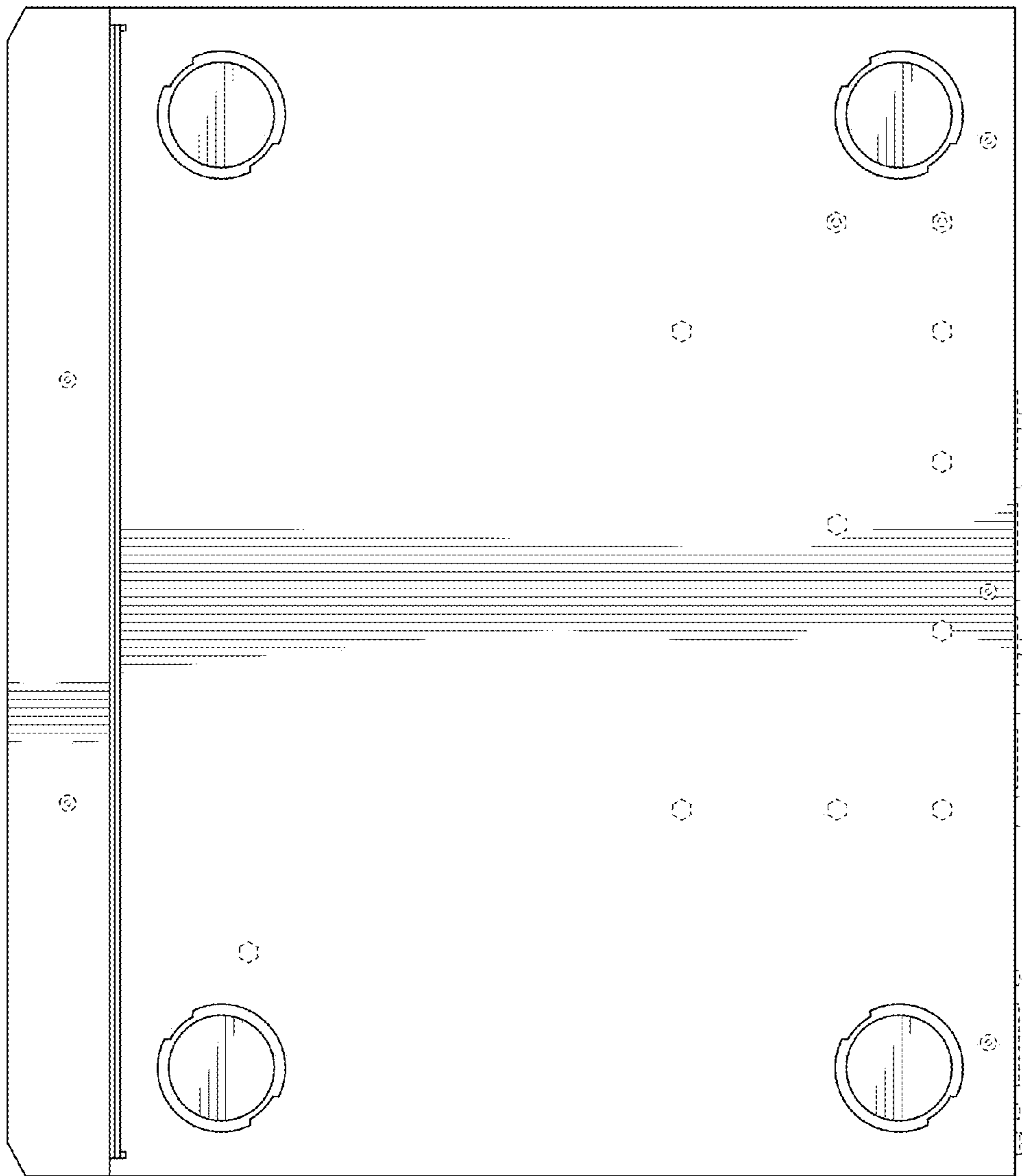


FIG. 7