



US00D714252S

(12) **United States Design Patent**
Liu

(10) **Patent No.:** **US D714,252 S**

(45) **Date of Patent:** **** Sep. 30, 2014**

(54) **RECEIVER**

(71) Applicant: **Shenzhen Aetertek Technology Co., Ltd.**, Guangdong (CN)

(72) Inventor: **Yunbing Liu**, Guangdong (CN)

(73) Assignee: **Shenzhen Aetertek Technology Co., Ltd.**, Shenzhen (CN)

(**) Term: **14 Years**

(21) Appl. No.: **29/444,624**

(22) Filed: **Feb. 1, 2013**

(51) **LOC (10) Cl.** **14-03**

(52) **U.S. Cl.**
USPC **D14/188**

(58) **Field of Classification Search**
USPC D3/201, 273; D13/103, 106, 184;
D14/132, 133, 137, 138 AB, 155, 188,
D14/193, 196, 203.4, 210, 211, 213, 214,
D14/221, 242, 243, 257, 258, 265, 315, 321,
D14/345, 348, 351, 353, 358, 433, 496, 498,
D14/500-503; D16/200, 206; D26/72, 104,
D26/118; 359/258; 375/222; 379/25, 93.09,
379/93.19, 156, 220.01, 221.09, 338, 339,
379/441; 455/557; 711/100, 115; 720/270,
720/658, 691; 725/111

See application file for complete search history.

(56) **References Cited**

U.S. PATENT DOCUMENTS

D301,084 S *	5/1989	Mathews	D2/639
D346,583 S *	5/1994	Mohri	D13/108
D356,587 S *	3/1995	Shuler et al.	D16/218
D403,660 S *	1/1999	Poon	D13/106
D409,136 S *	5/1999	Sumita et al.	D13/103
D559,859 S *	1/2008	Kim	D14/496
D638,787 S *	5/2011	Tanaka et al.	D13/103
D654,906 S *	2/2012	Warden et al.	D14/214

* cited by examiner

Primary Examiner — Stella Reid
Assistant Examiner — Janice Lim

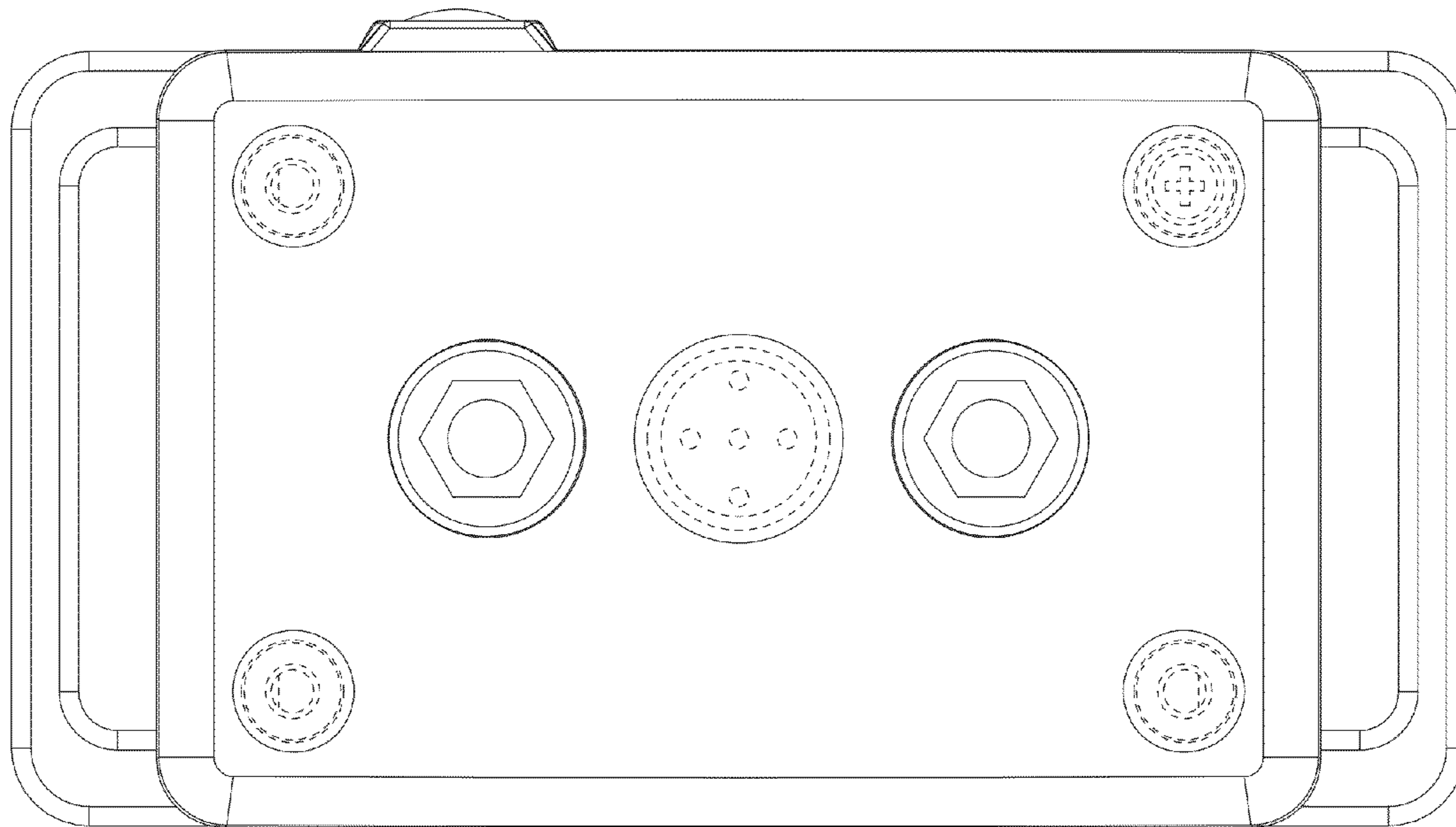
(57) **CLAIM**

The ornamental design for a receiver, as shown and described.

DESCRIPTION

FIG. 1 is a front view of a receiver, showing my new design; FIG. 2 is a back view of the receiver of FIG. 1; FIG. 3 is a left side view of the receiver of FIG. 1; FIG. 4 is a right side view of the receiver of FIG. 1; FIG. 5 is a top view of the receiver of FIG. 1; FIG. 6 is a bottom view of the receiver of FIG. 1; FIG. 7 is a top perspective view of the receiver of FIG. 1; and, FIG. 8 is a bottom perspective view of the receiver of FIG. 1. The broken line portions of FIGS. 1, 5, and 7 are included to show unclaimed subject matter only and form no part of the claimed design.

1 Claim, 8 Drawing Sheets



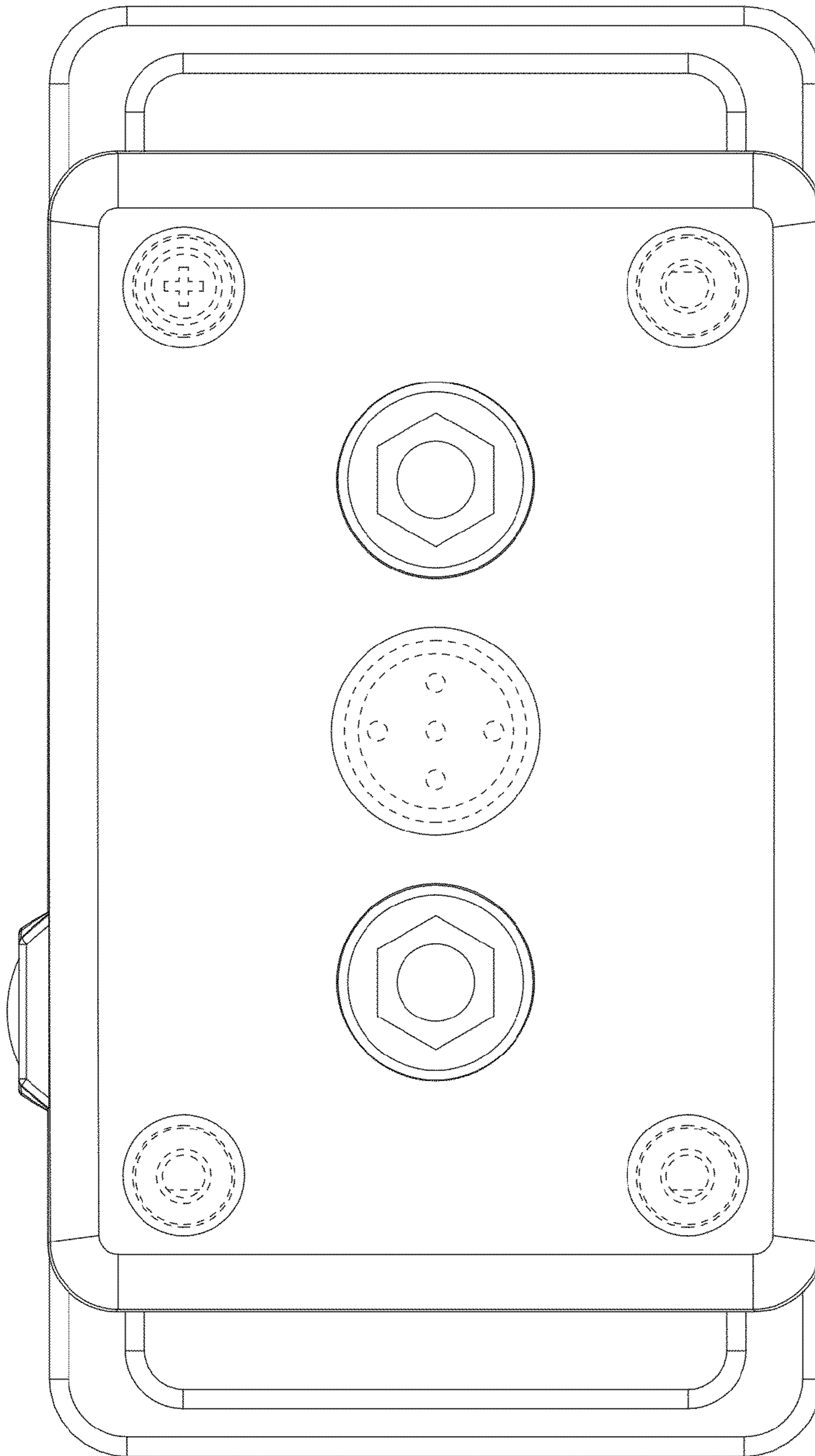


Fig. 1

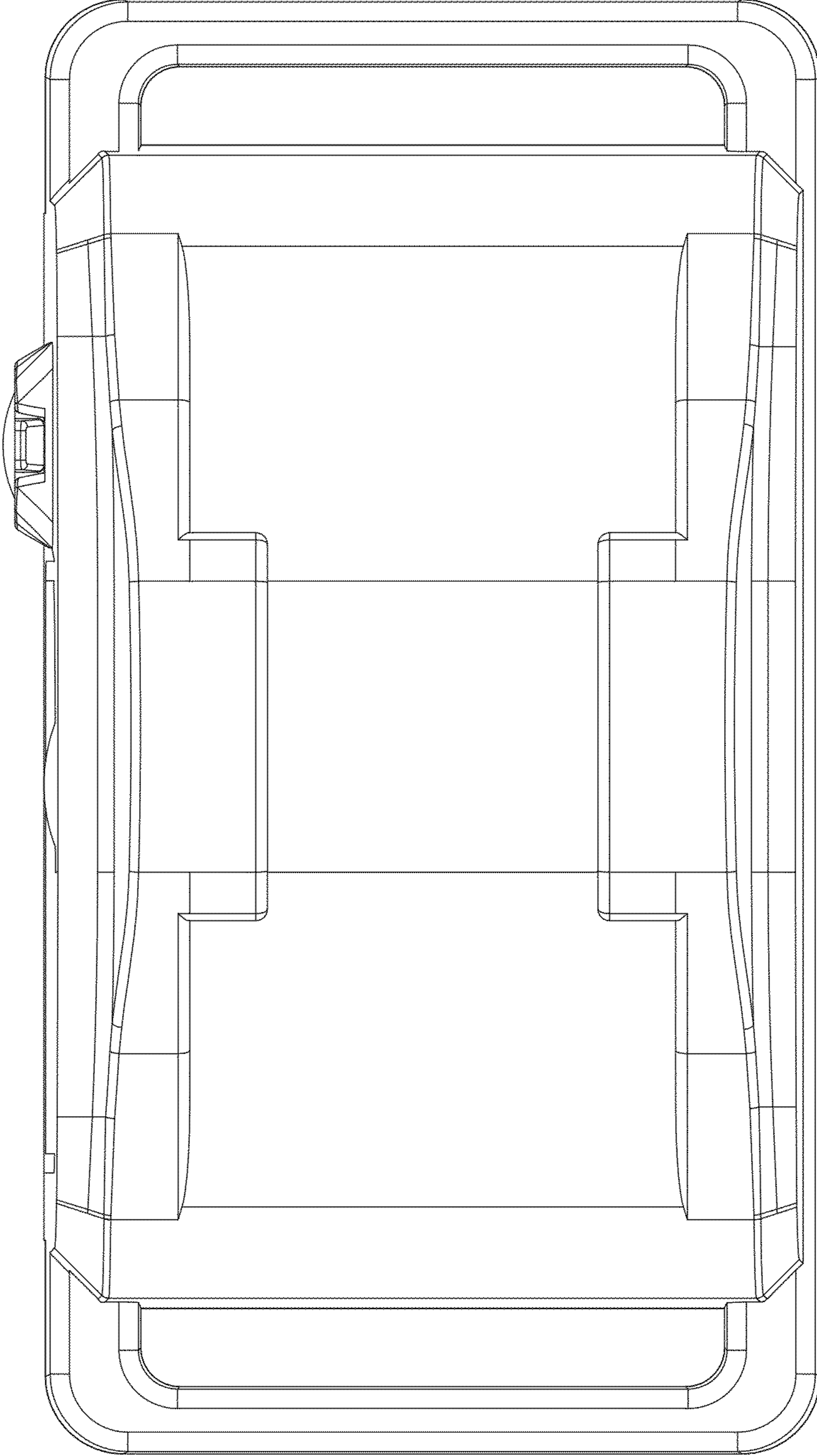


Fig. 2

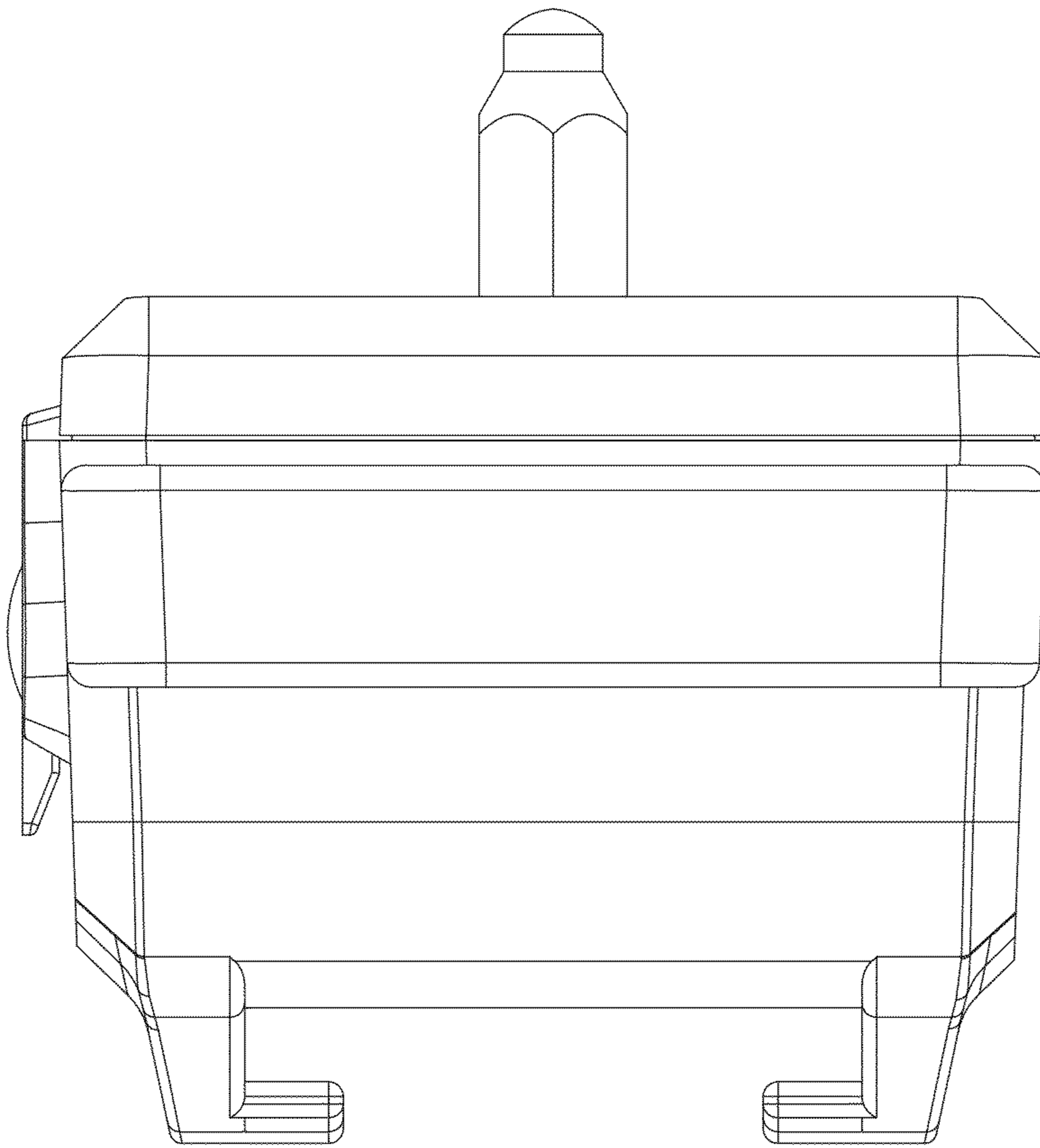


Fig. 3

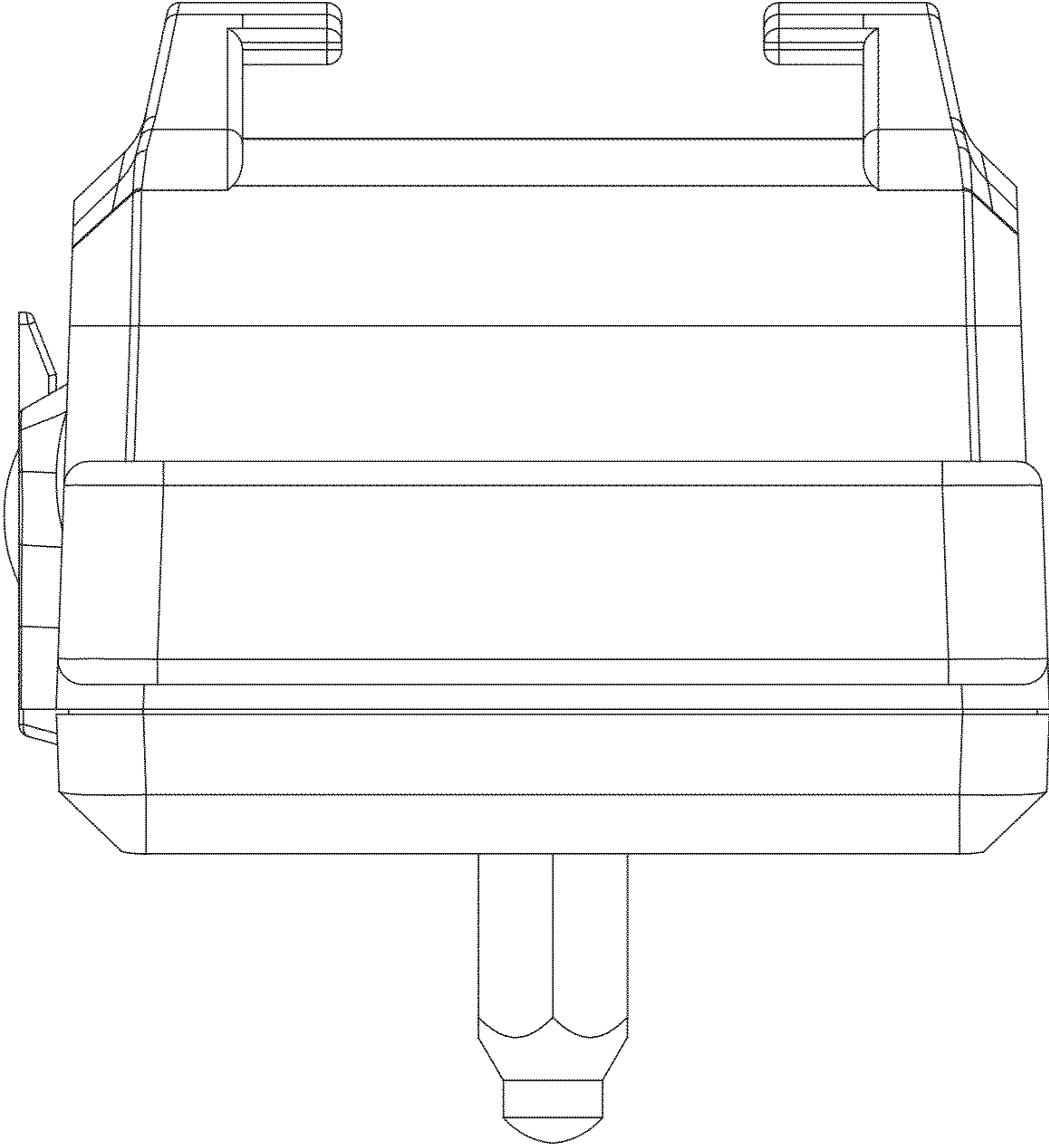


Fig. 4

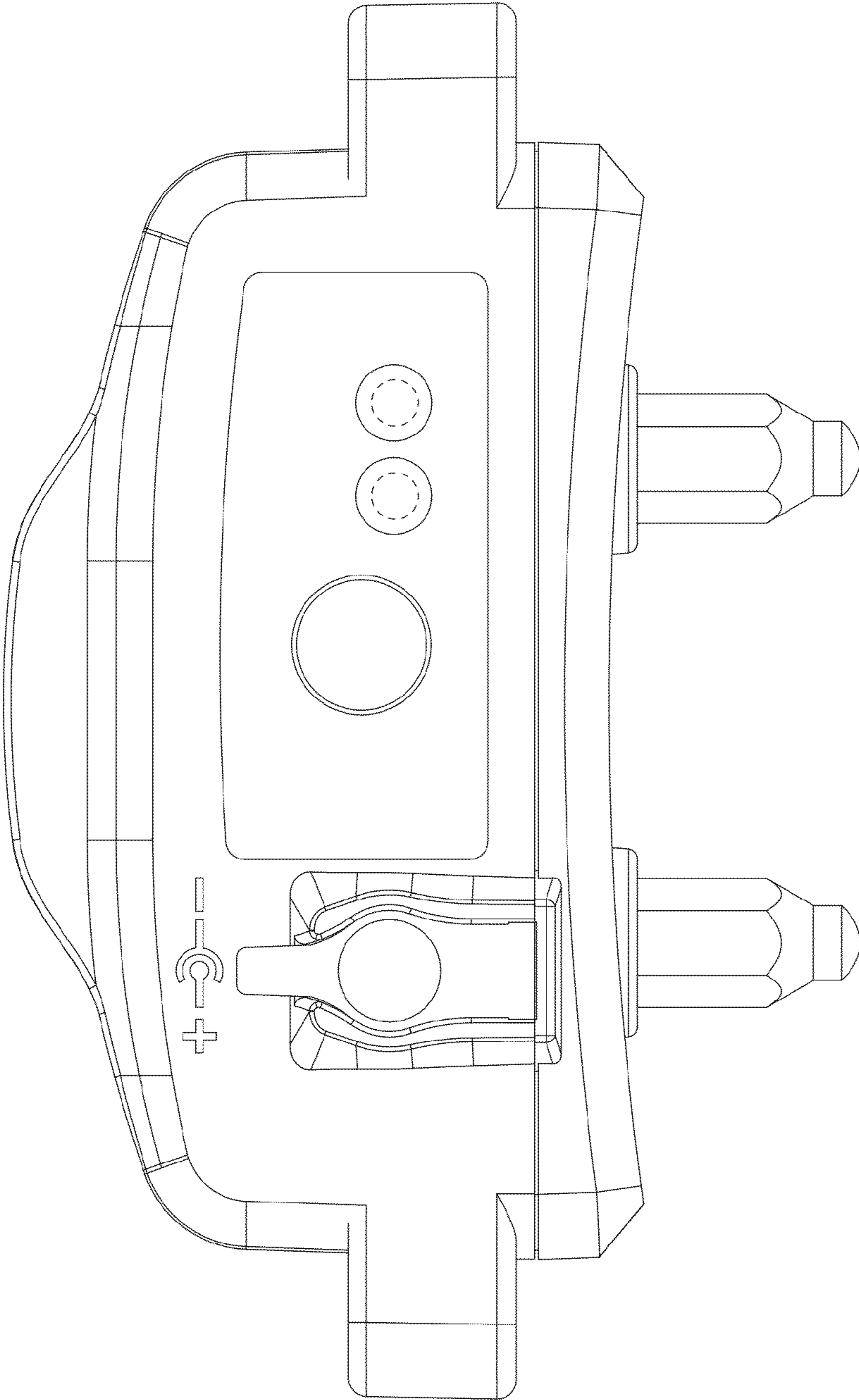


Fig. 5

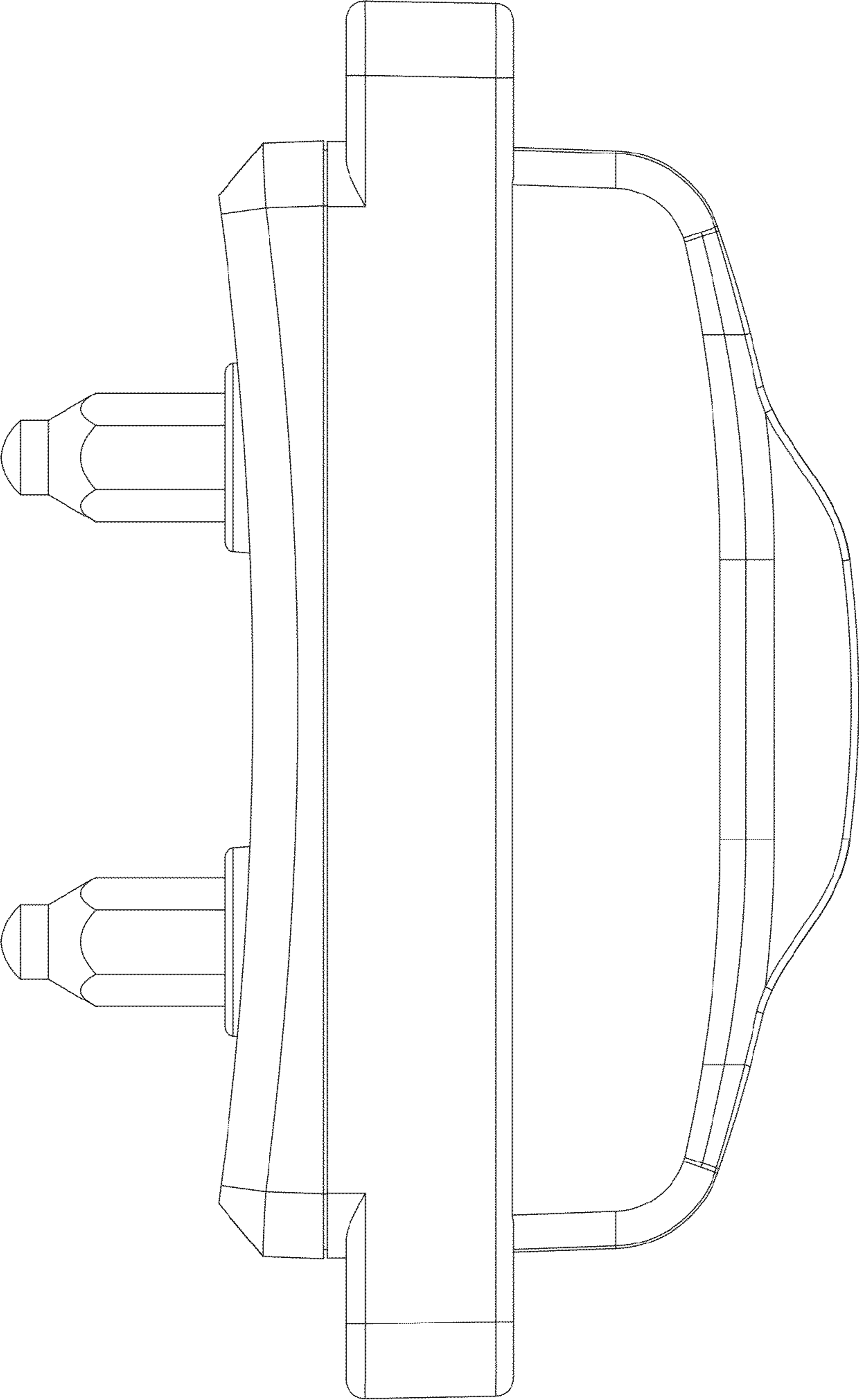


Fig. 6

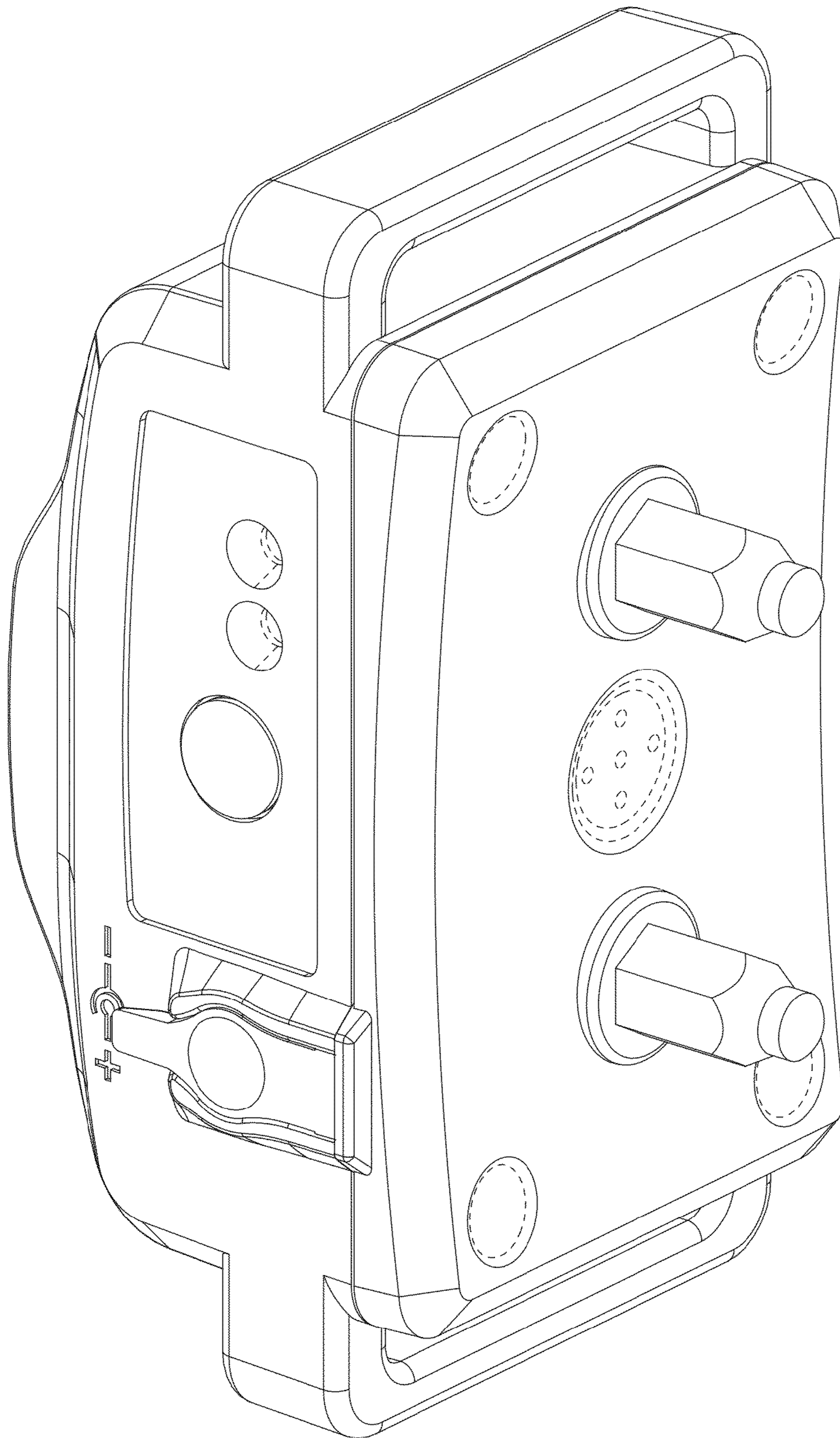


Fig. 7

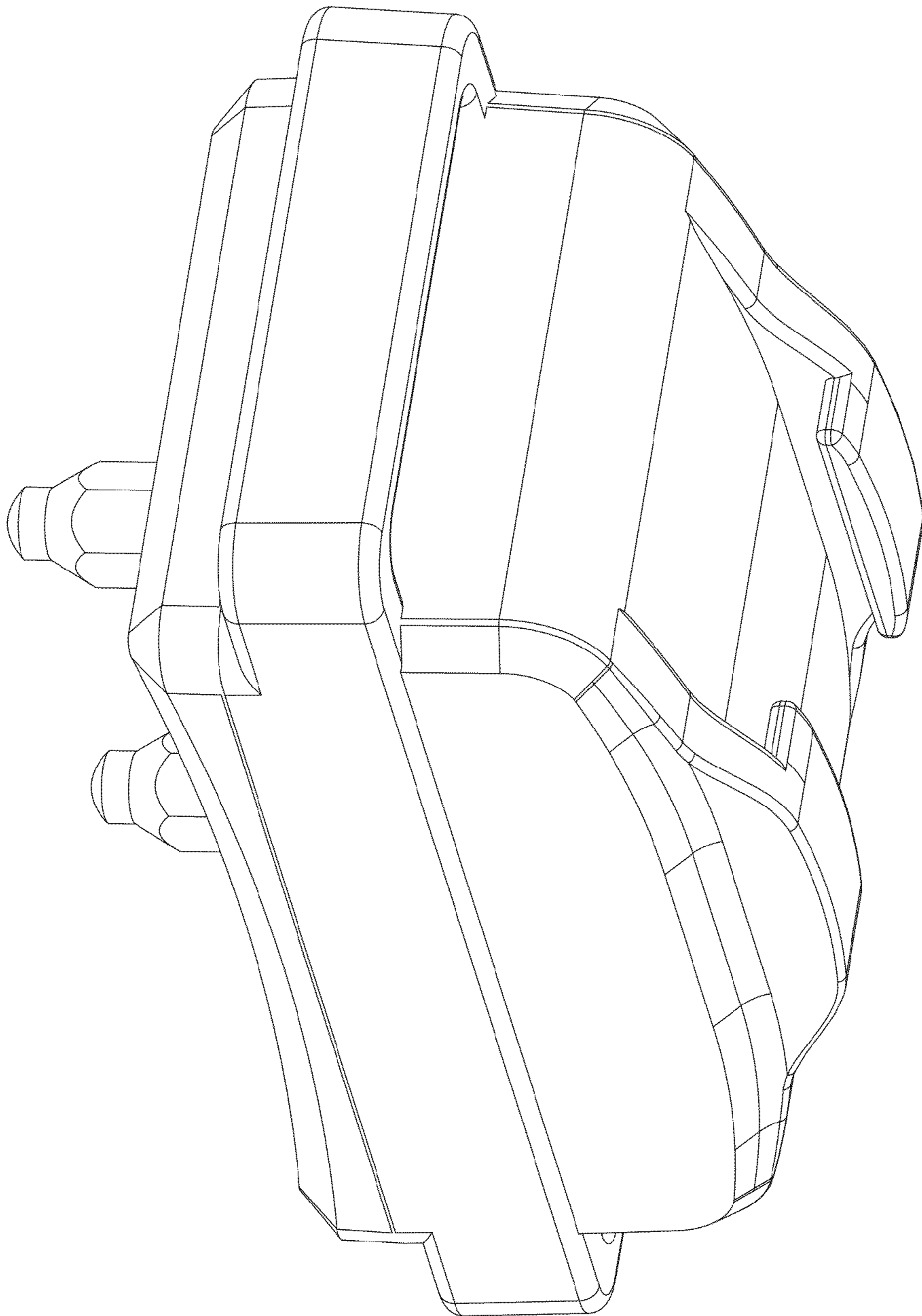


Fig. 8