



US00D714248S

(12) **United States Design Patent**  
**Chang**

(10) **Patent No.:** **US D714,248 S**

(45) **Date of Patent:** **\*\* Sep. 30, 2014**

(54) **PORTABLE CONFERENCE SPEAKERPHONE**

(71) Applicants: **Lite-On Electronics (Guangzhou) Limited**, Guangzhou (CN); **Lite-On Technology Corporation**, Taipei (TW)

(72) Inventor: **An-Chi Chang**, Taipei (TW)

(73) Assignees: **Lite-On Electronics (Guangzhou) Limited**, Guangzhou (CN); **Lite-On Technology Corporation**, Taipei (TW)

(\*\*) Term: **14 Years**

(21) Appl. No.: **29/444,729**

(22) Filed: **Feb. 2, 2013**

(30) **Foreign Application Priority Data**

Jan. 7, 2013 (TL) ..... 102300161

(51) **LOC (10) Cl.** ..... **14-03**

(52) **U.S. Cl.**  
USPC ..... **D14/140**

(58) **Field of Classification Search**  
USPC ..... D14/140, 130, 150, 142, 356, 358, 240, D14/242, 172, 204, 209.1, 213, 216, 221; D13/184, 199; 181/198, 199; 381/300, 381/311, 26, 28, 332, 334-336, 355, 381/361-364, 386-387

See application file for complete search history.

(56) **References Cited**

**U.S. PATENT DOCUMENTS**

D378,578 S \* 3/1997 Eberhardt ..... D10/104.1  
7,159,789 B2 \* 1/2007 Schwendinger et al. .... 236/1 C  
7,159,790 B2 \* 1/2007 Schwendinger et al. .... 236/1 C  
D584,289 S \* 1/2009 Lee ..... D14/216

D610,572 S \* 2/2010 Skurdal ..... D14/216  
D625,295 S \* 10/2010 Nogueira et al. .... D14/218  
8,320,602 B2 \* 11/2012 Liu et al. .... 381/381  
D691,965 S \* 10/2013 Bedolla et al. .... D13/162  
D697,054 S \* 1/2014 Li et al. .... D14/216  
2005/0279840 A1 \* 12/2005 Schwendinger et al. .... 236/1 C  
2013/0173064 A1 \* 7/2013 Fadell et al. .... 700/276  
2013/0338839 A1 \* 12/2013 Rogers et al. .... 700/278  
2014/0005837 A1 \* 1/2014 Fadell et al. .... 700/276

**OTHER PUBLICATIONS**

<http://www.cravingtech.com/meelectronics-air-fi-as1-review.html>, Michael Aulia, Jul. 2012.\*

\* cited by examiner

*Primary Examiner* — Thomas Johannes

*Assistant Examiner* — Holly E Thurman

(74) *Attorney, Agent, or Firm* — Li & Cai Intellectual Property (USA) Office

(57) **CLAIM**

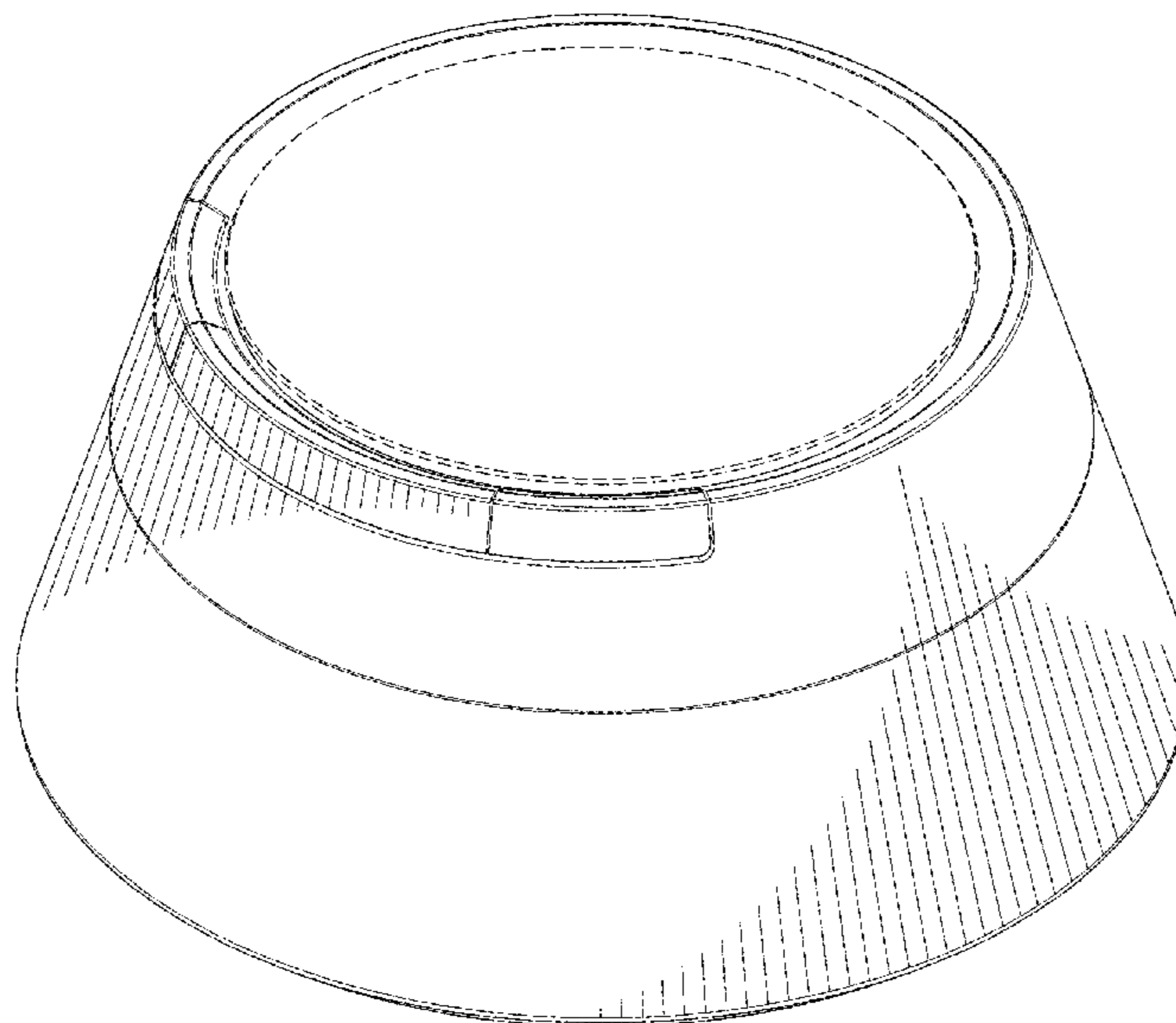
The ornamental design for a portable conference speakerphone, as shown and described.

**DESCRIPTION**

FIG. 1 is a perspective view of a portable conference speakerphone showing my new design;  
FIG. 2 is a front view thereof;  
FIG. 3 is a rear view thereof;  
FIG. 4 is a left side view thereof;  
FIG. 5 is a right side view thereof;  
FIG. 6 is a top view thereof;  
FIG. 7 is a bottom view thereof; and,  
FIG. 8 is a perspective view viewed from another visual angle.

The broken lines in the drawings are for illustrative purpose only and form no part of the claimed design.

**1 Claim, 6 Drawing Sheets**



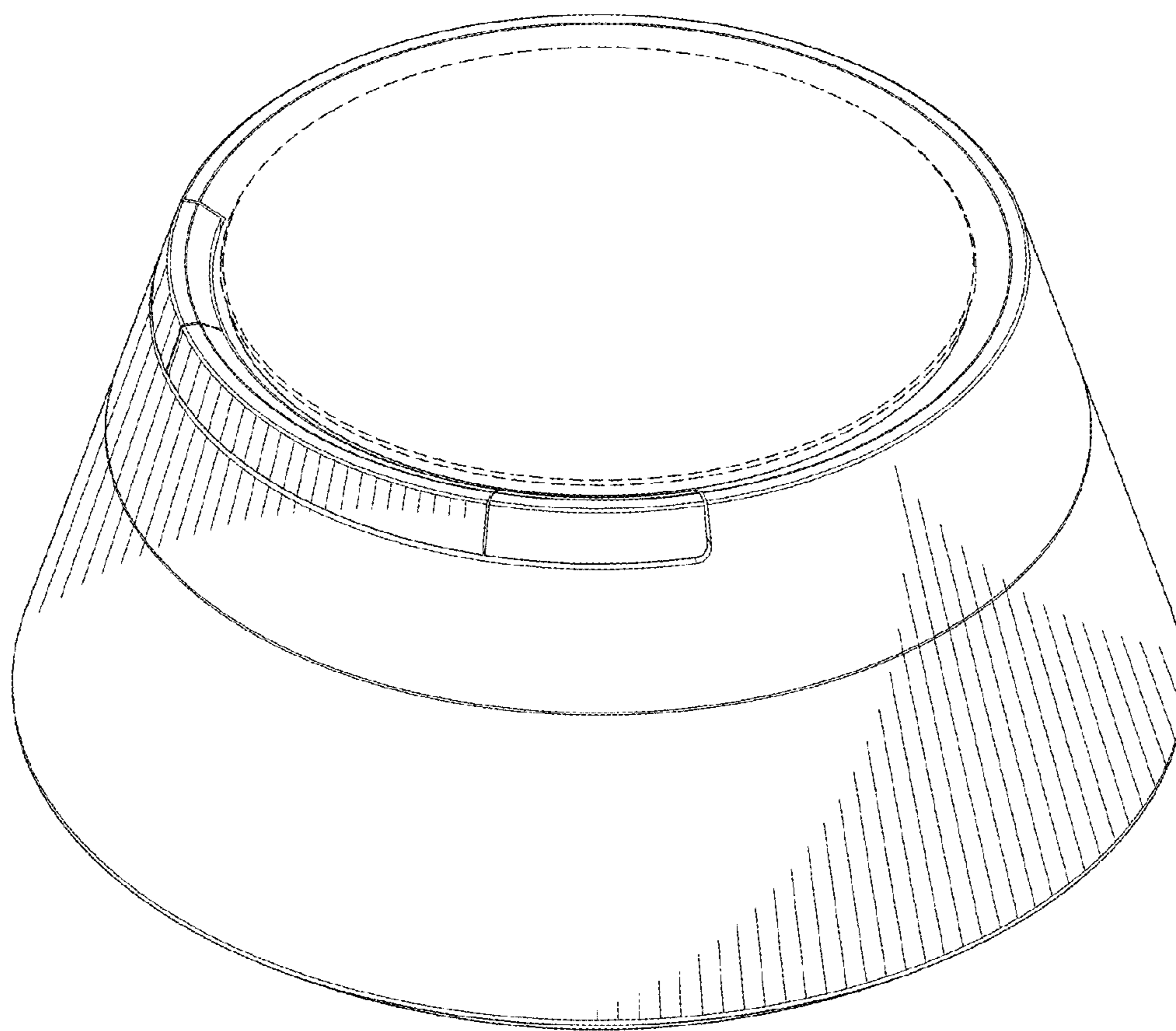


FIG.1

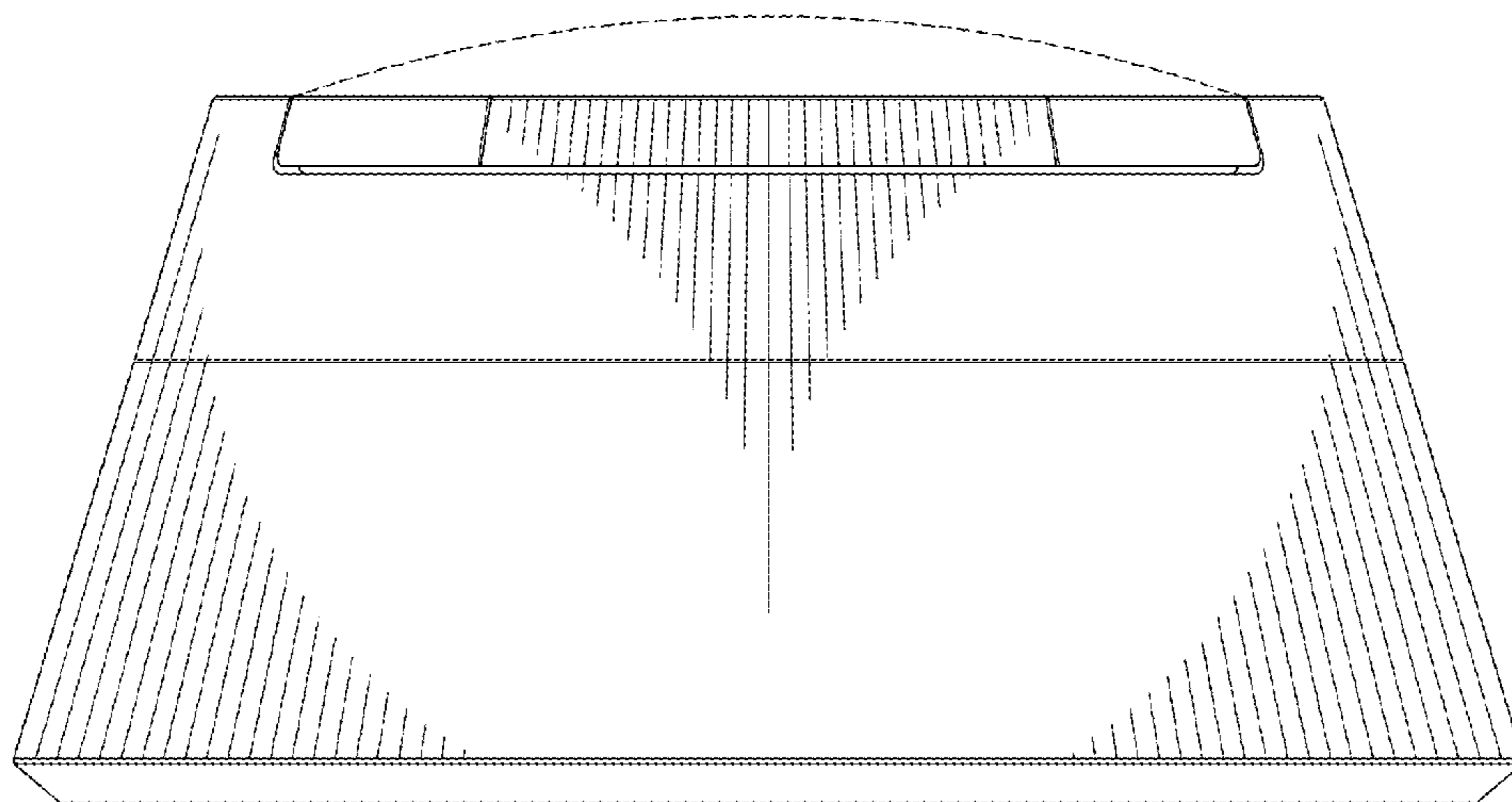


FIG. 2

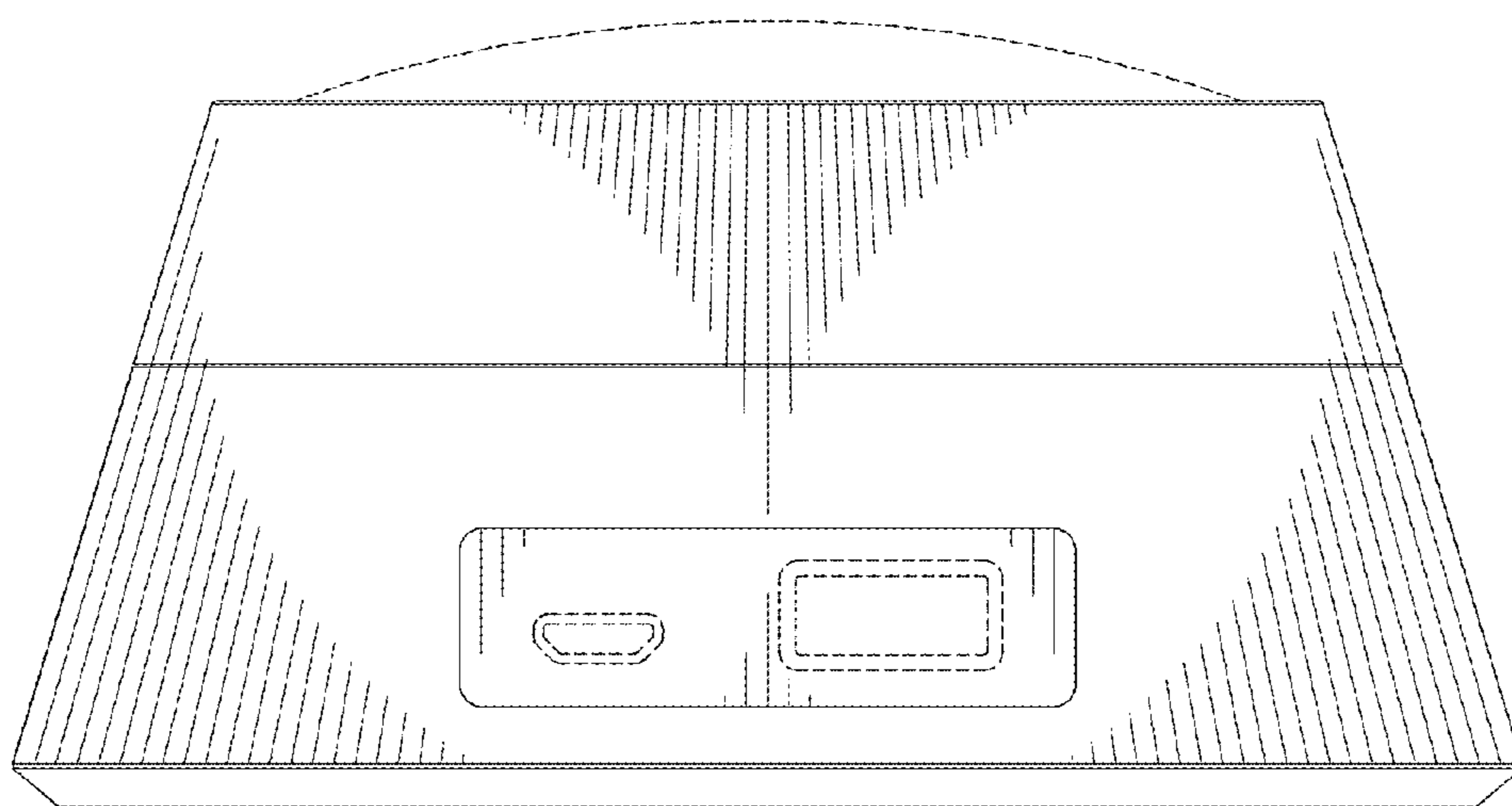


FIG. 3

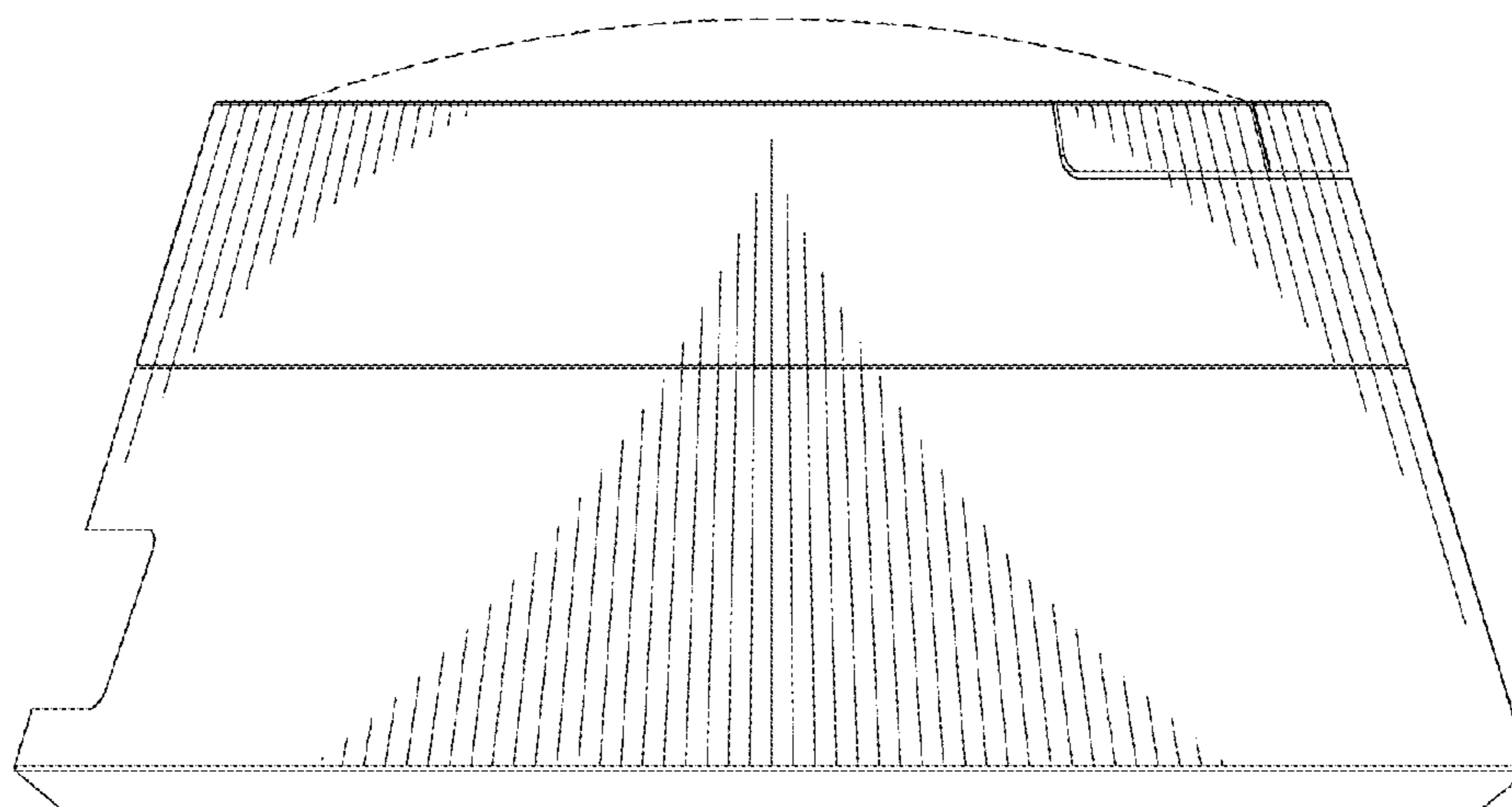


FIG. 4

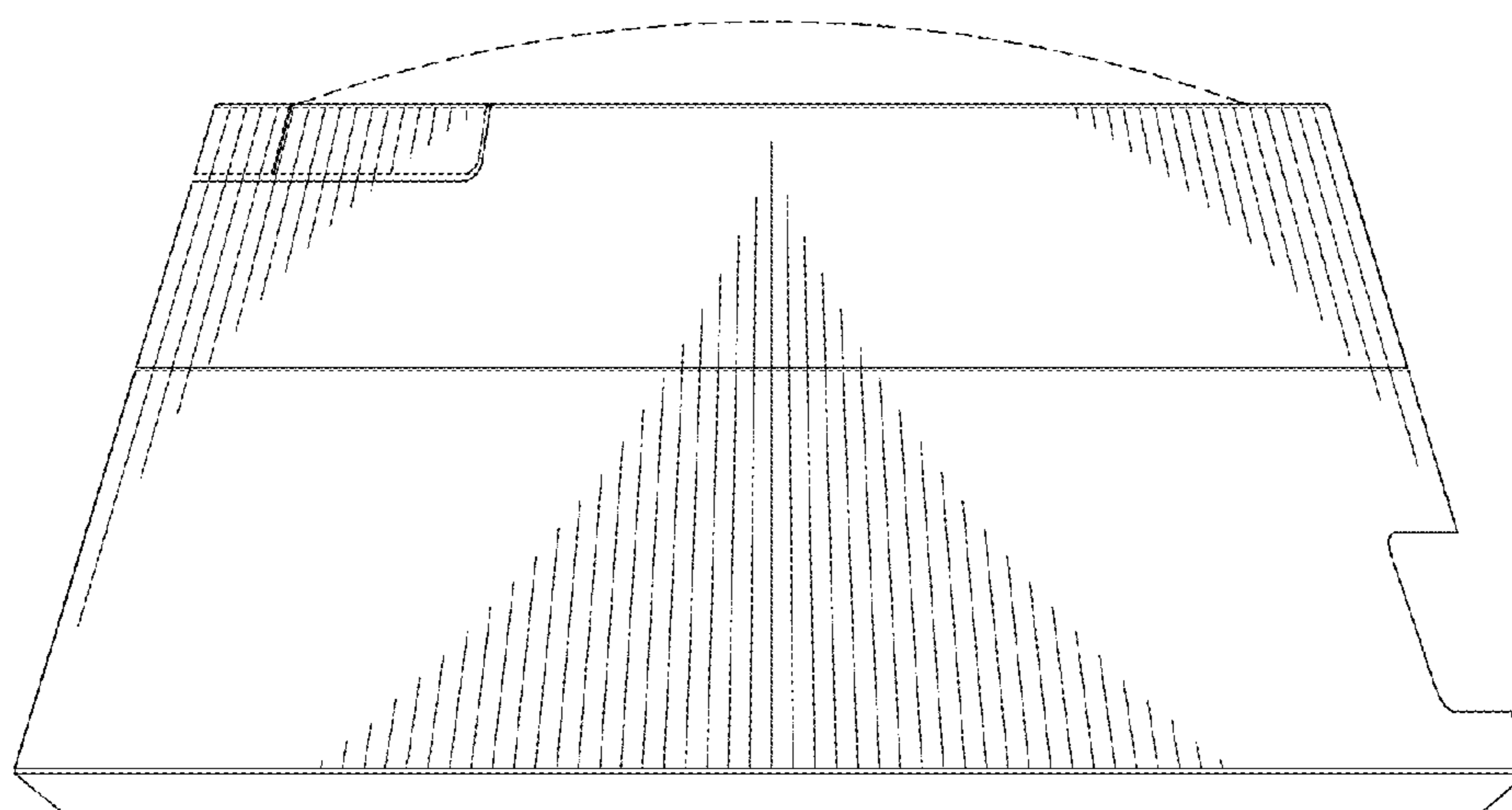


FIG. 5

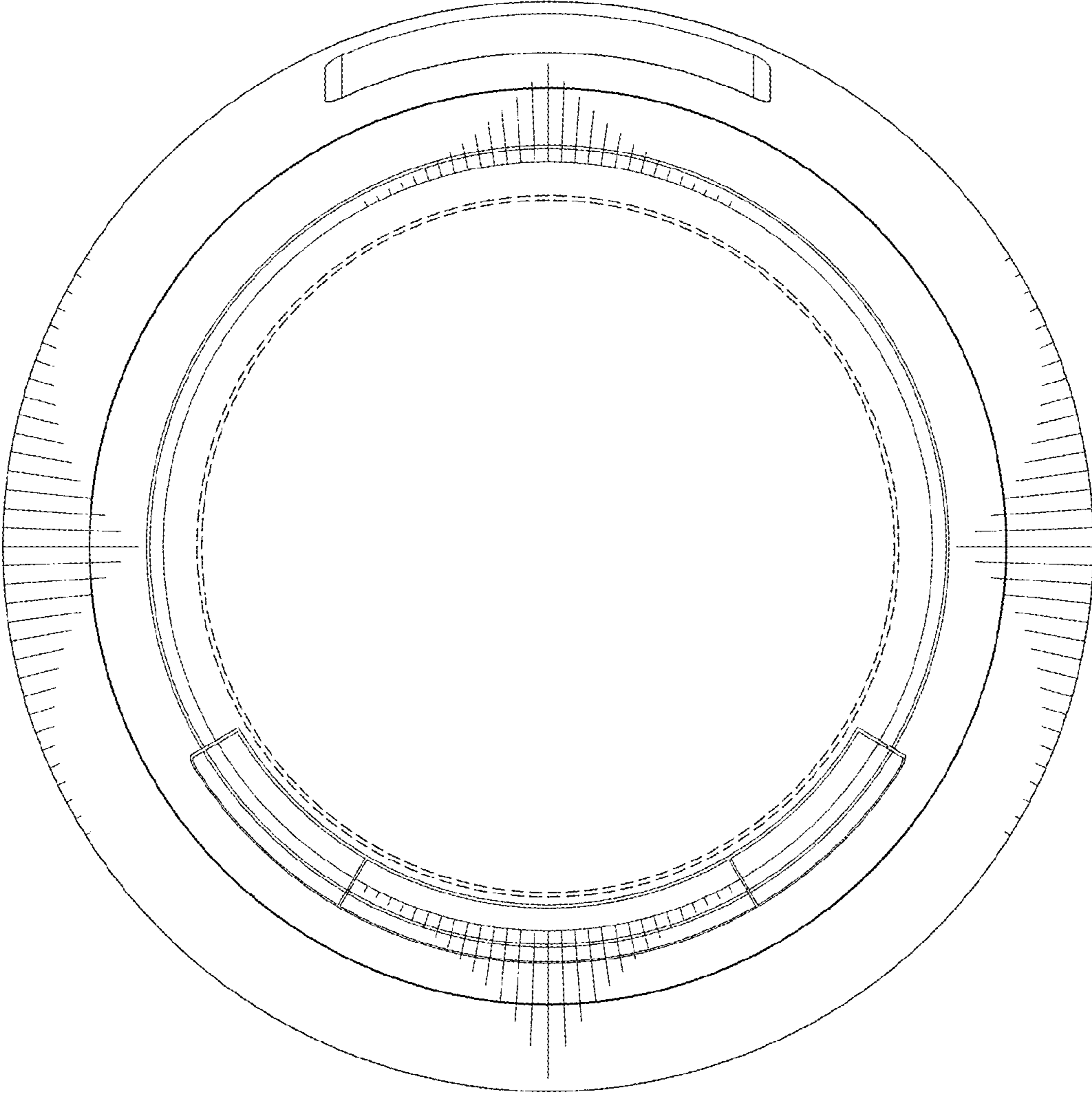


FIG.6

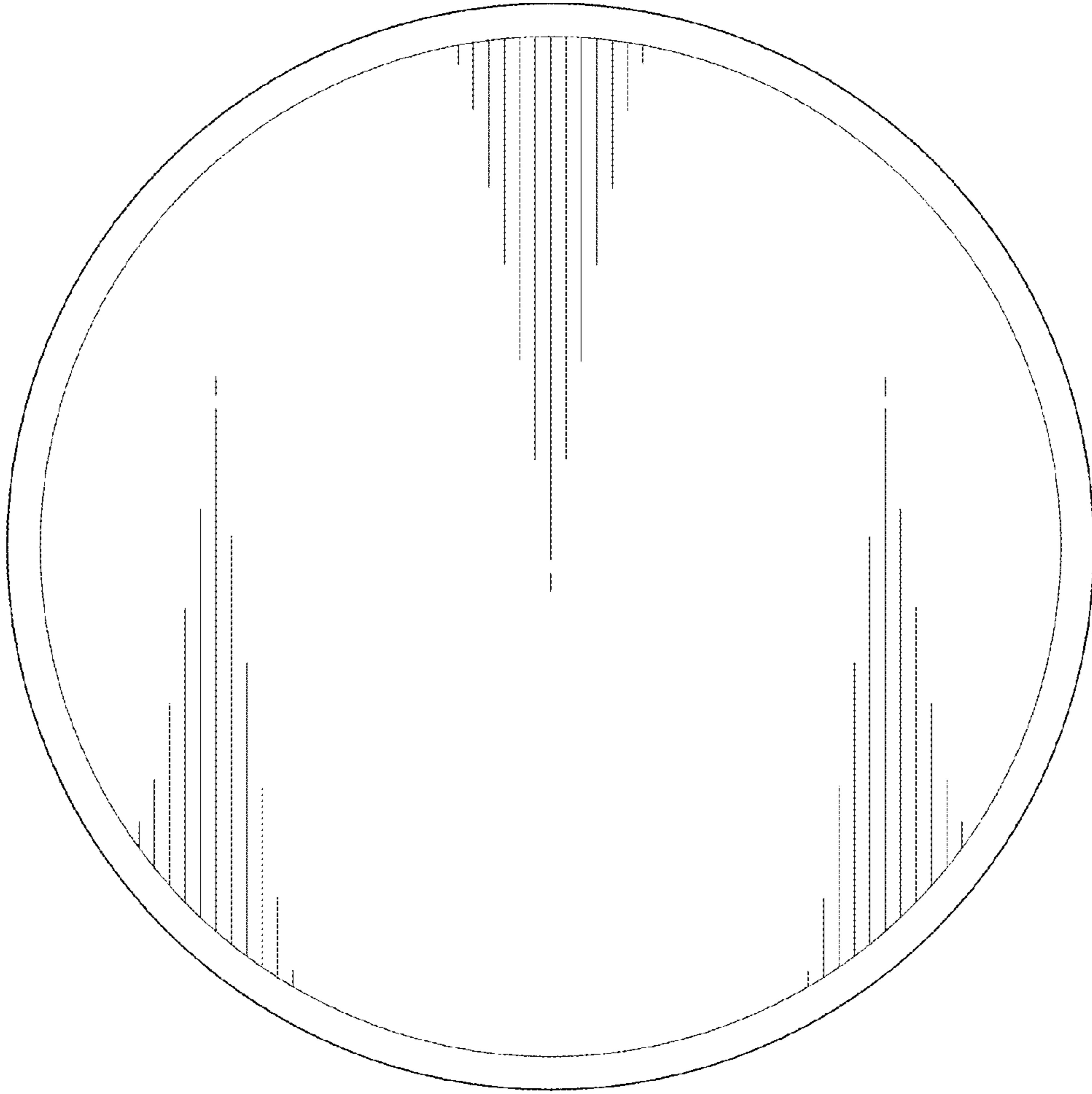


FIG.7

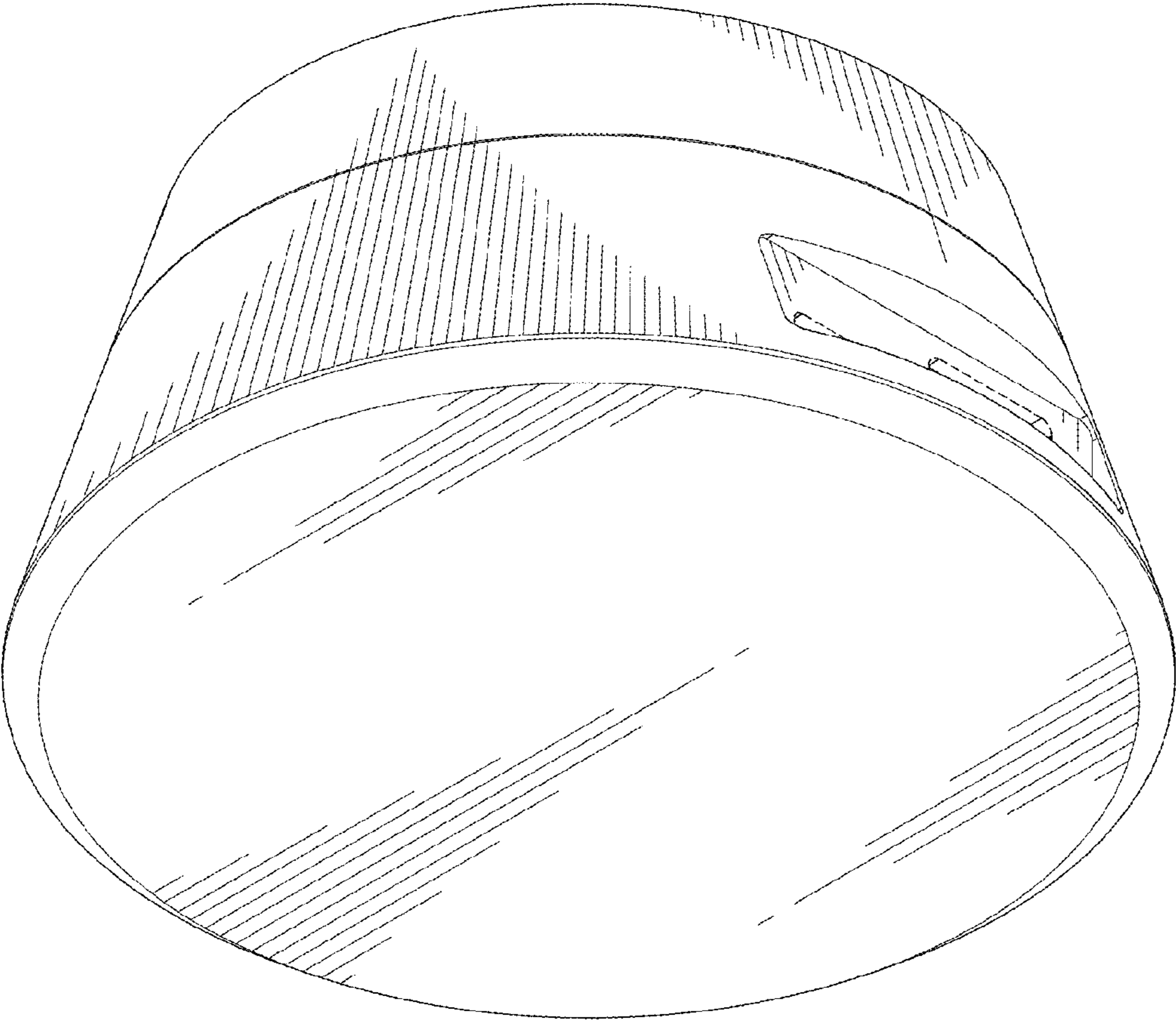


FIG.8