



US00D714247S

(12) **United States Design Patent**  
**Mita et al.**

(10) **Patent No.:** **US D714,247 S**

(45) **Date of Patent:** **\*\* Sep. 30, 2014**

(54) **SPEAKERPHONE**

(75) Inventors: **Masayoshi Mita**, Nagoya (JP); **Shino Iida**, Ichinomiya (JP)

(73) Assignee: **Brother Industries, Ltd.**, Nagoya (JP)

(\*\*) Term: **14 Years**

(21) Appl. No.: **29/430,294**

(22) Filed: **Aug. 23, 2012**

(30) **Foreign Application Priority Data**

Mar. 21, 2012 (JP) ..... 2012-006285

(51) **LOC (10) Cl.** ..... **14-03**

(52) **U.S. Cl.**  
USPC ..... **D14/140**

(58) **Field of Classification Search**

USPC ..... D14/140, 130, 140.3, 150, 142, 356,  
D14/358, 233, 240, 242, 300, 348, 388, 433,  
D14/140.7-140.9; D13/184, 199, 110,  
D13/137.2, 137.1-137.3; 360/69;  
379/220.1, 220.14, 25, 93.09, 900,  
379/338, 329, 433.12; 381/124; 607/36  
See application file for complete search history.

(56) **References Cited**

**U.S. PATENT DOCUMENTS**

D461,842 S \* 8/2002 Hattori ..... D18/19  
D571,235 S \* 6/2008 Stevens et al. .... D10/65

D592,083 S \* 5/2009 Stevens et al. .... D10/65  
D598,305 S \* 8/2009 Li et al. .... D10/50  
D601,814 S \* 10/2009 Lissola ..... D6/308  
D611,364 S \* 3/2010 Lenz et al. .... D10/65  
D639,267 S \* 6/2011 DeLorenzo et al. .... D14/142  
D640,150 S \* 6/2011 Hansen et al. .... D10/65  
D648,233 S \* 11/2011 Lenz et al. .... D10/65  
D648,234 S \* 11/2011 Lenz et al. .... D10/65  
D659,113 S \* 5/2012 Rayn ..... D14/203.7  
D659,567 S \* 5/2012 Stevens et al. .... D10/65  
D695,735 S \* 12/2013 Kitchen et al. .... D14/341

\* cited by examiner

*Primary Examiner* — Thomas Johannes

*Assistant Examiner* — Holly E Thurman

(74) *Attorney, Agent, or Firm* — Oliff PLC

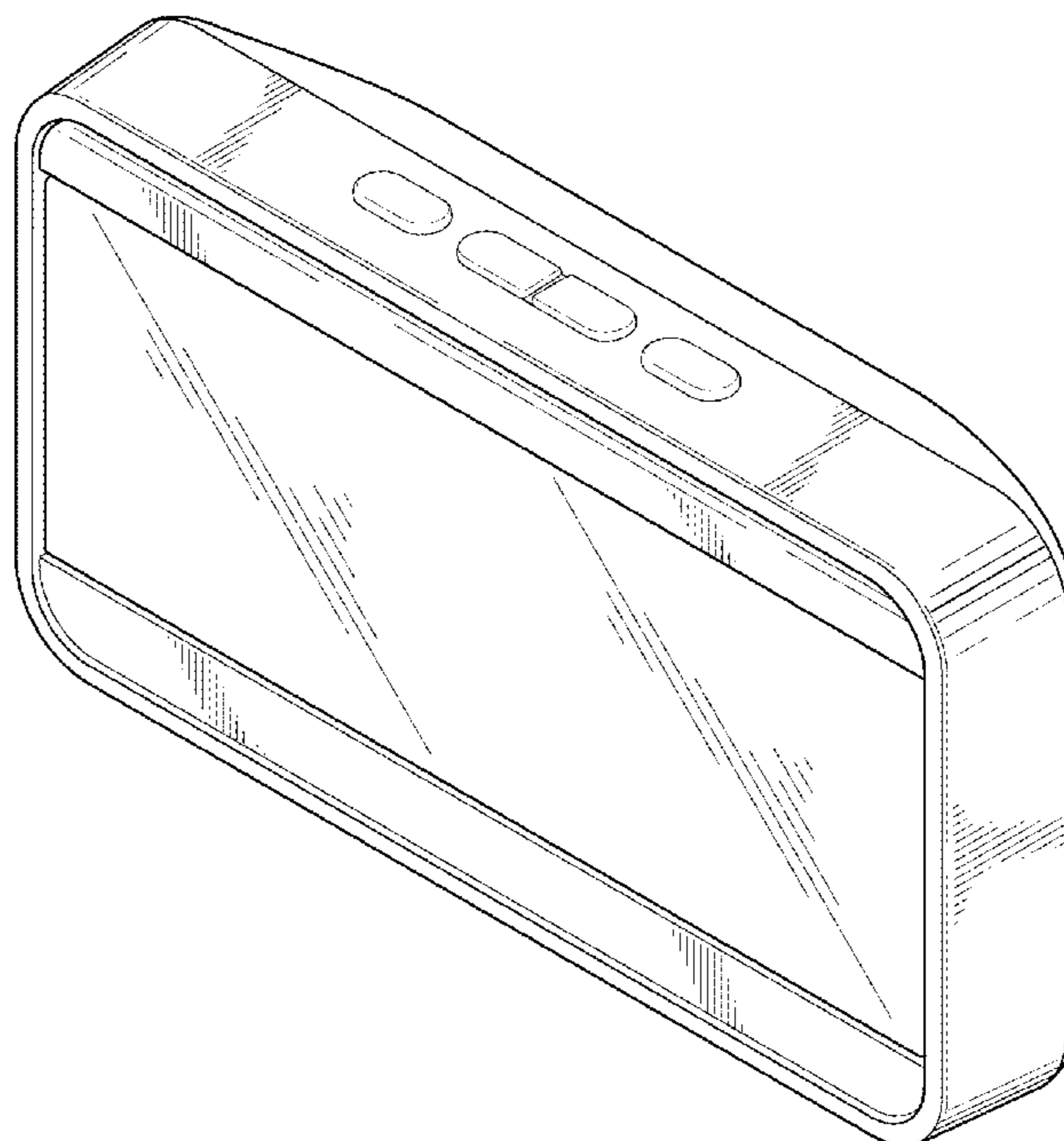
(57) **CLAIM**

The ornamental design for a speakerphone, as shown and described.

**DESCRIPTION**

FIG. 1 is a front perspective view of a speakerphone;  
FIG. 2 is a front view thereof;  
FIG. 3 is a top view thereof;  
FIG. 4 is a right-side view thereof;  
FIG. 5 is a left-side view thereof;  
FIG. 6 is a rear view thereof;  
FIG. 7 is a bottom view thereof; and,  
FIG. 8 is a rear perspective view thereof.  
The broken lines depict environmental subject matter only and form no part of the claimed design.

**1 Claim, 5 Drawing Sheets**



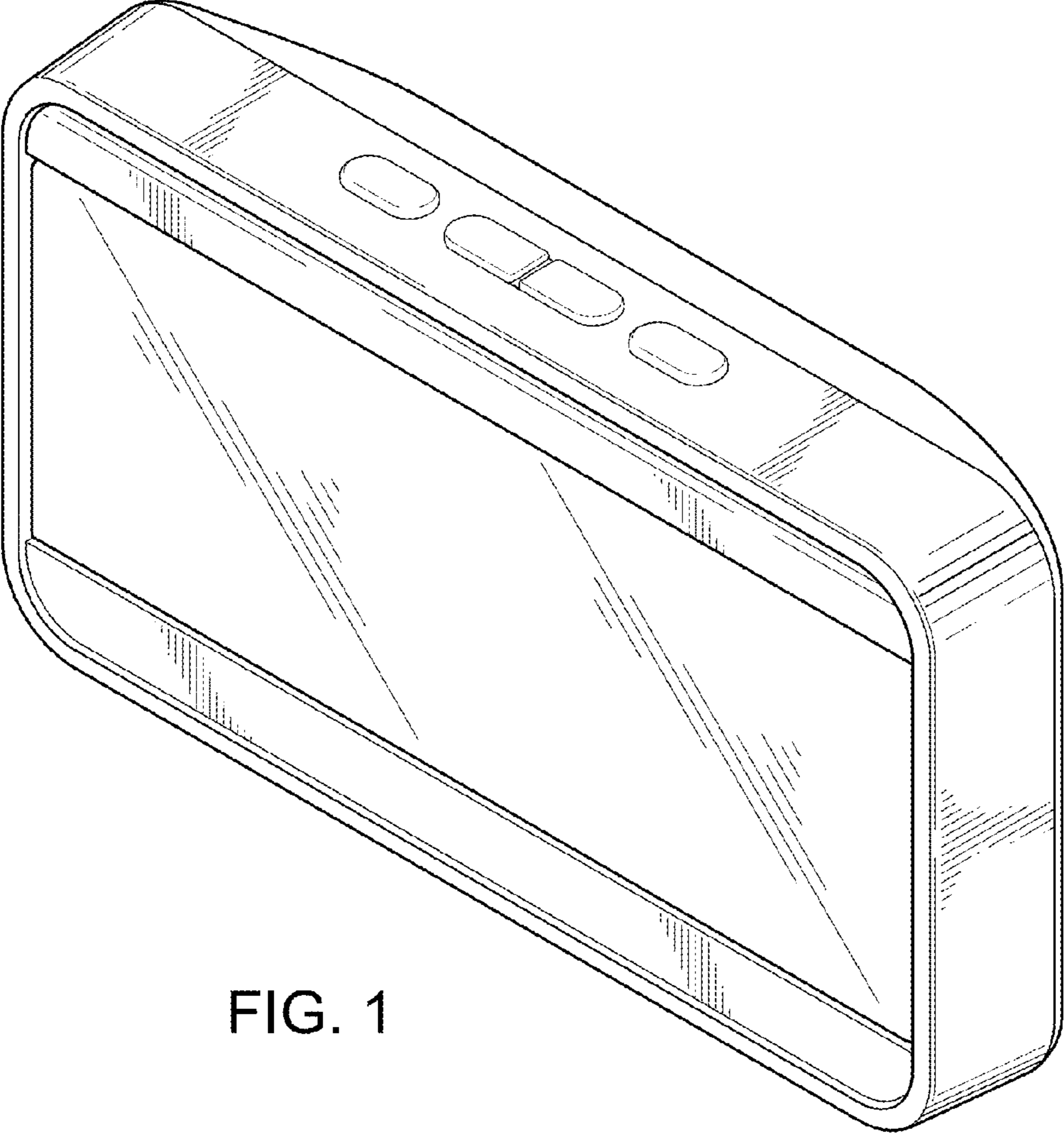


FIG. 1

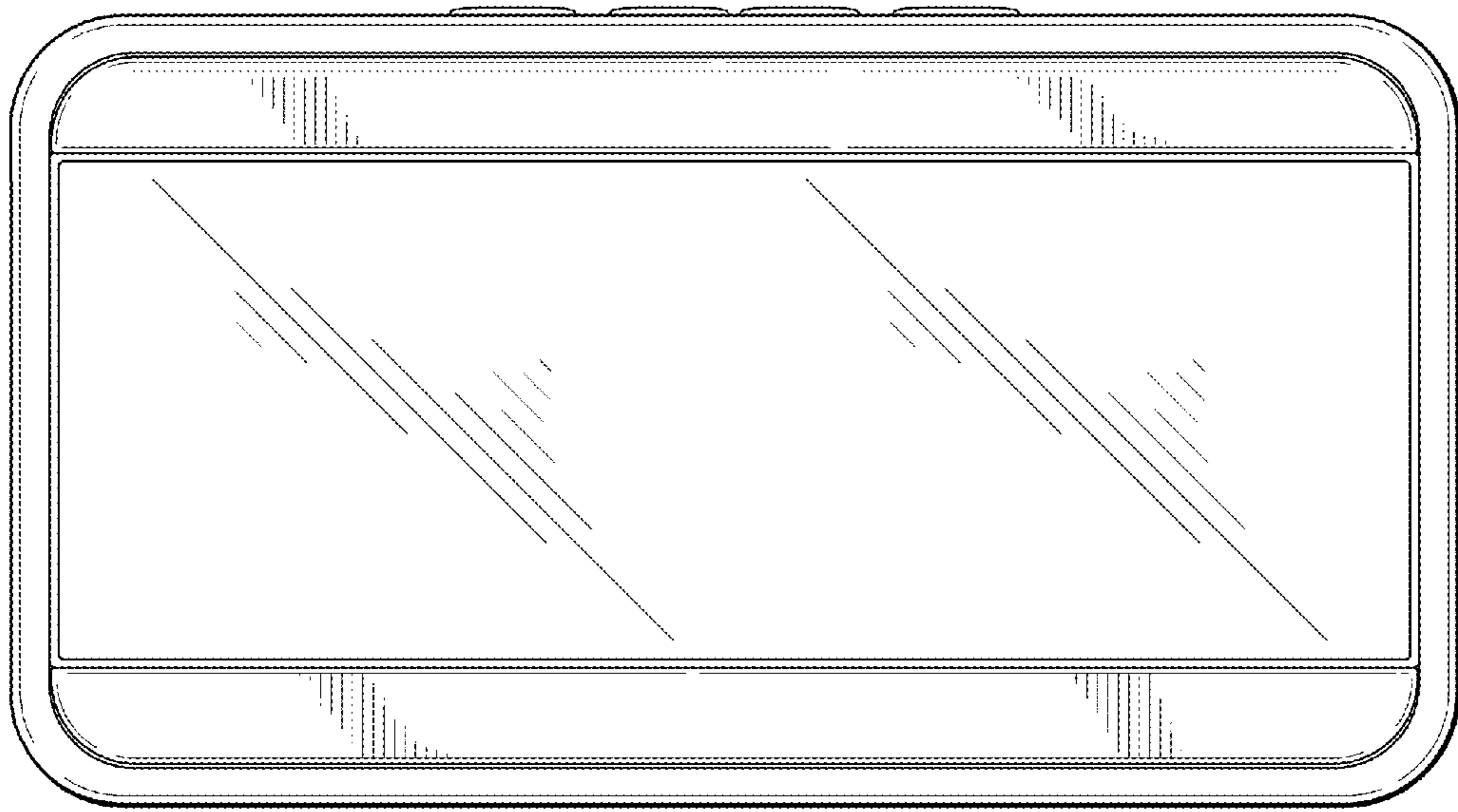


FIG. 2

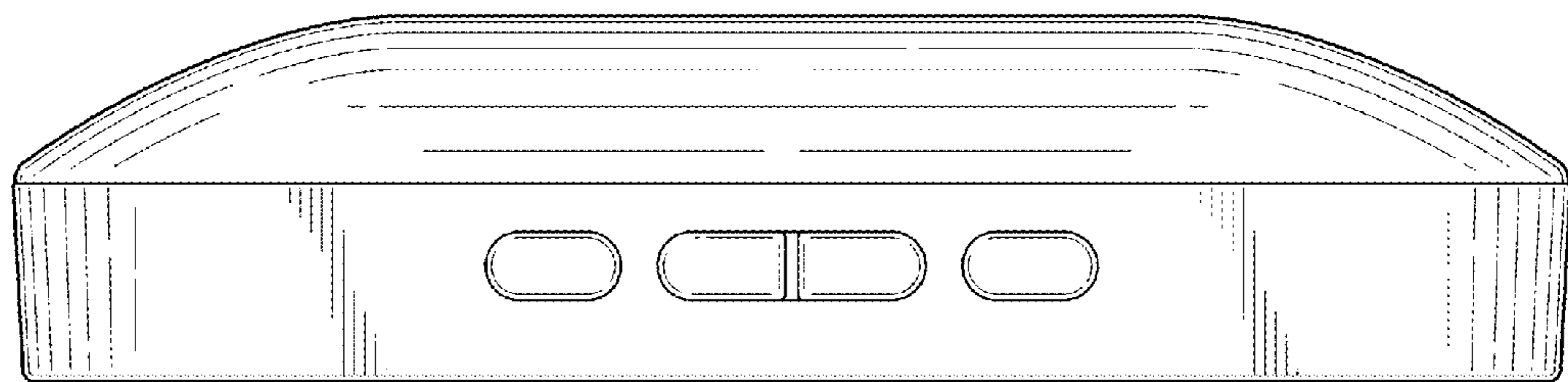


FIG. 3

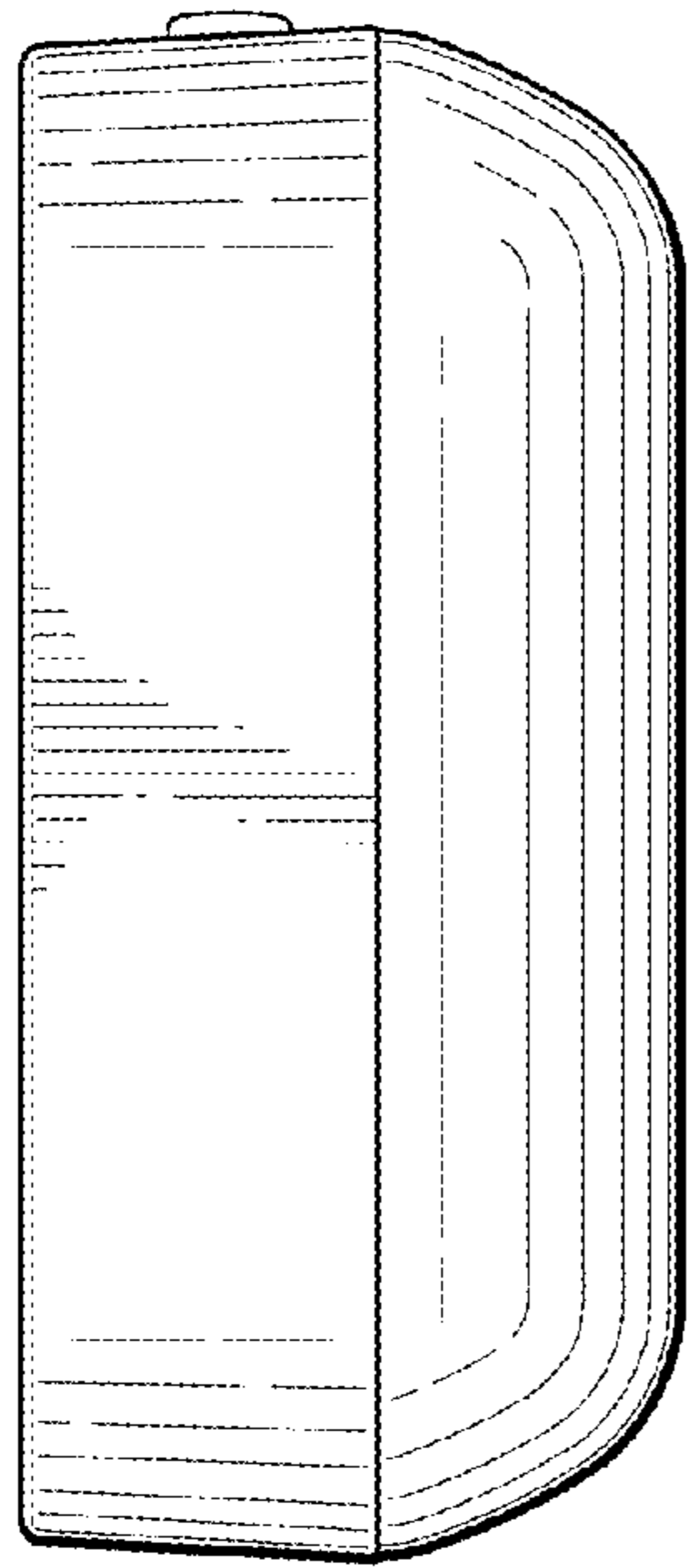


FIG. 4

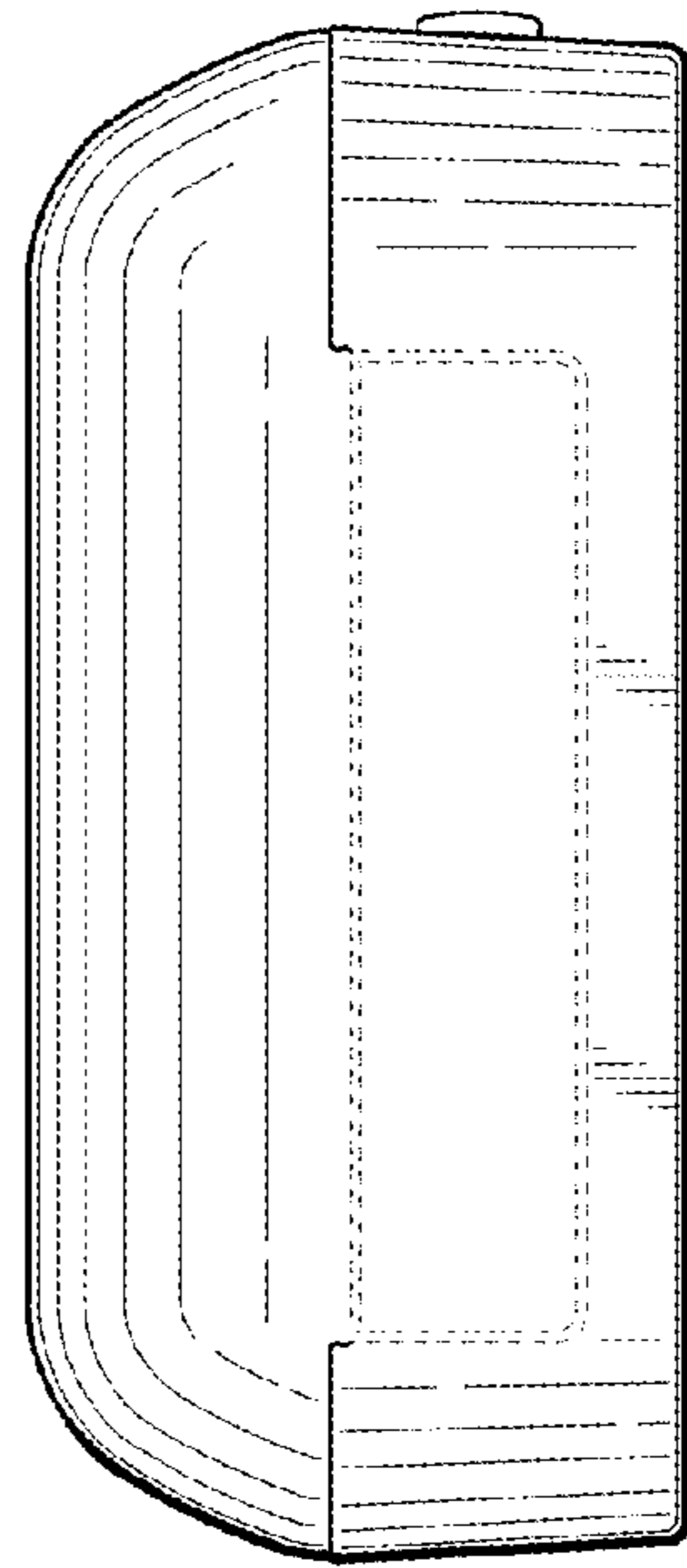


FIG. 5

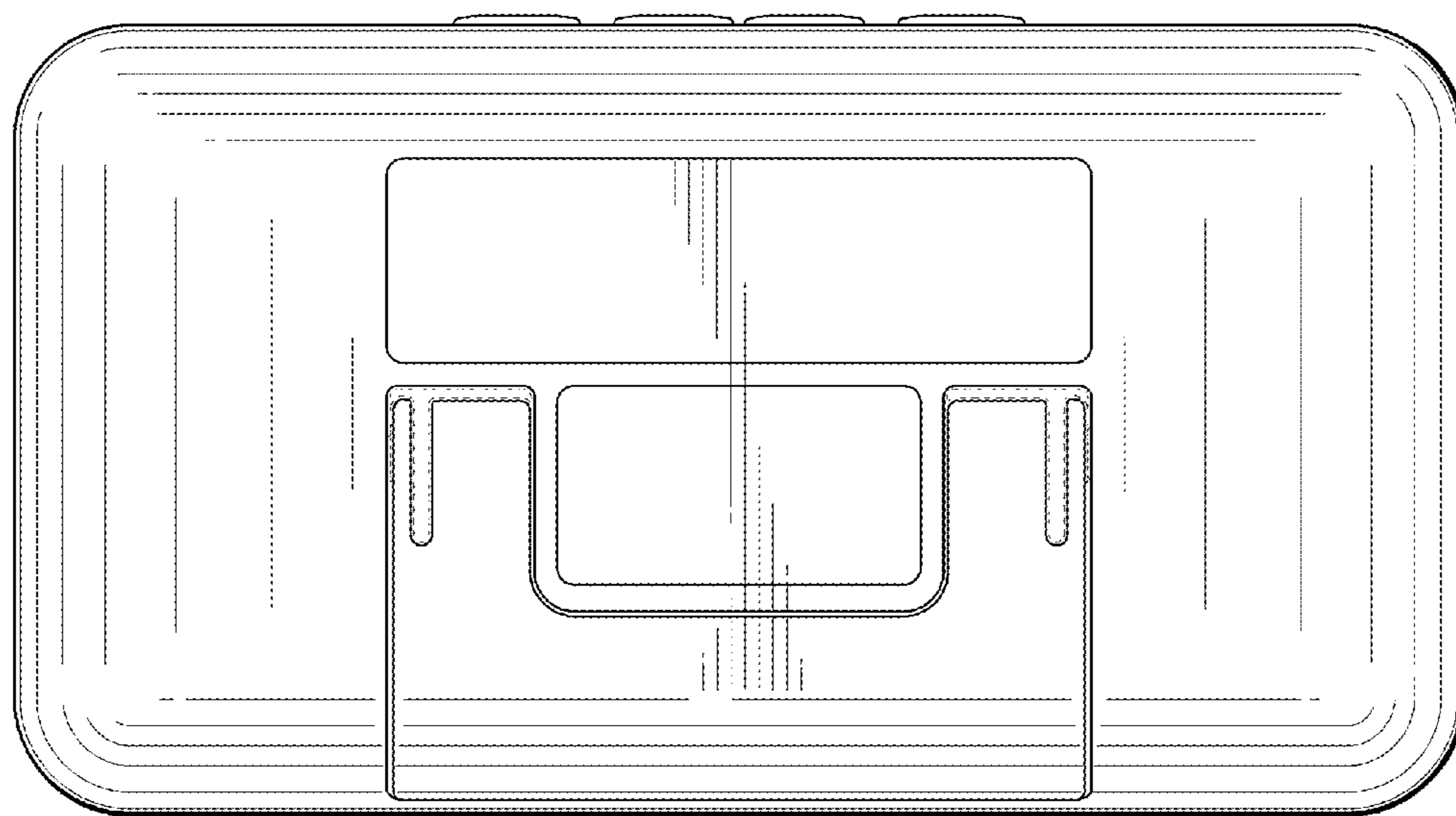


FIG. 6

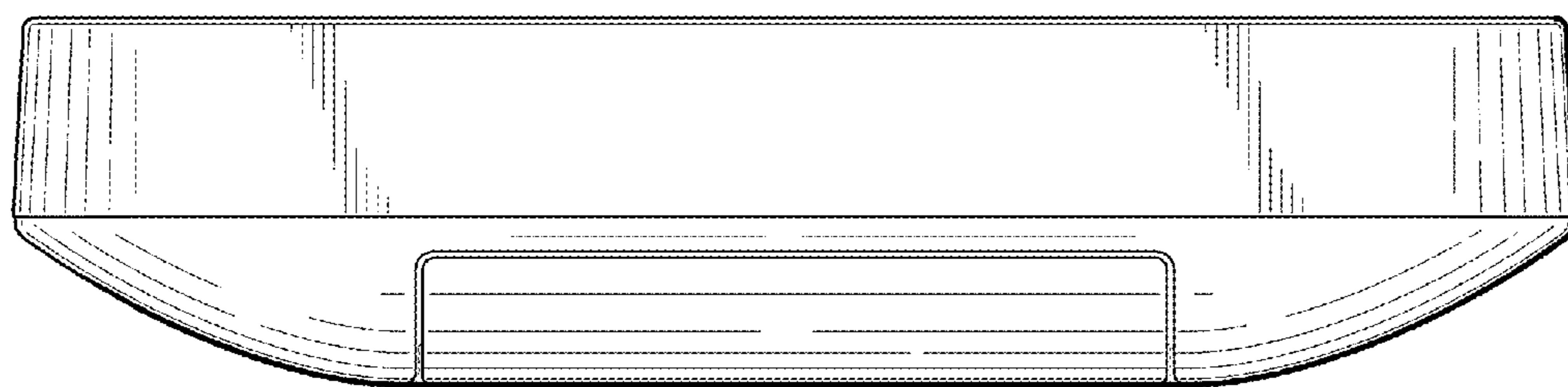


FIG. 7

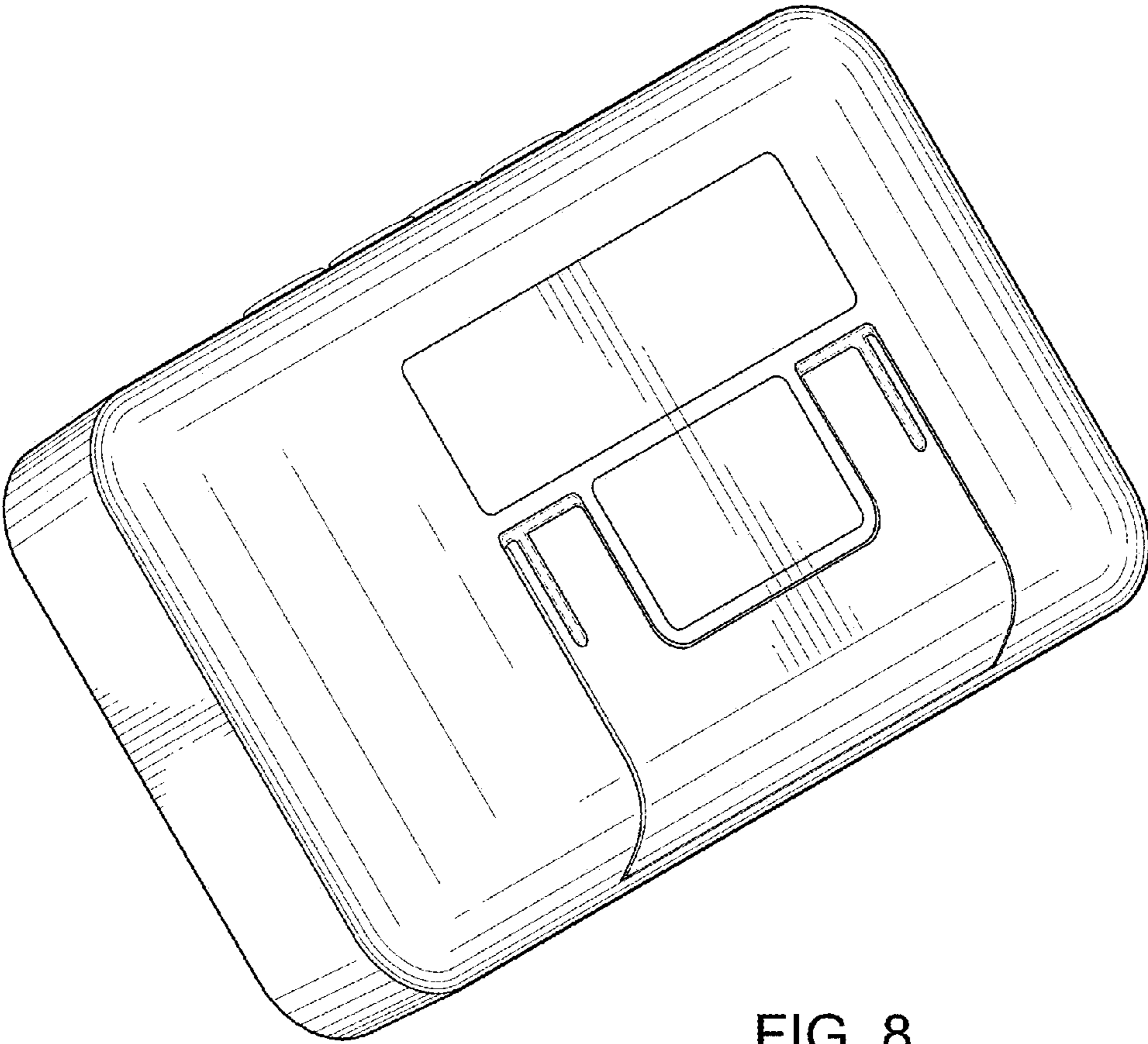


FIG. 8