



US00D714246S

(12) **United States Design Patent**
Kitade

(10) **Patent No.:** **US D714,246 S**

(45) **Date of Patent:** **** Sep. 30, 2014**

(54) **MOBILE PHONE**

(71) Applicant: **Panasonic Corporation**, Osaka (JP)

(72) Inventor: **Katsuhiro Kitade**, Osaka (JP)

(73) Assignee: **Panasonic Corporation**, Osaka (JP)

(**) Term: **14 Years**

(21) Appl. No.: **29/472,059**

(22) Filed: **Nov. 8, 2013**

(30) **Foreign Application Priority Data**

May 10, 2013 (JP) 2013-010279

(51) **LOC (10) Cl.** **14-03**

(52) **U.S. Cl.**
USPC **D14/138 AB**; D14/345

(58) **Field of Classification Search**
CPC ... H04M 1/021; H04M 1/022; H04M 1/0202;
H04M 1/0239; H04M 1/0214; H04M 1/0216;
H04M 1/0245; H04M 1/023; H04M 2250/16;
G06F 1/1641; G06F 1/1616
USPC D14/138 AB, 138 AD, 341-346, 203.1,
D14/203.4, 203.3, 203.7, 143, 248, 218,
D14/138 G, 147, 138 AC, 138 AA, 138 R,
D14/339, 340, 316; 455/575.1, 556.2,
455/575.3, 575.4, 566; D21/517, 329-331;
379/433.01, 433.04, 433.12, 433.13;
D10/65, 78; D13/168; 361/679.3,
361/679.56; 345/1.3; D19/59, 60
See application file for complete search history.

(56) **References Cited**

U.S. PATENT DOCUMENTS

D317,780 S * 6/1991 Arai D18/7
D334,020 S * 3/1993 Takahata D18/7
D335,124 S * 4/1993 Mizusugi et al. D14/327
5,644,338 A * 7/1997 Bowen 345/168

D402,967 S * 12/1998 Hanafsa et al. D14/345
6,587,333 B2 * 7/2003 Tseng et al. 361/679.05
D481,368 S * 10/2003 Helin D14/138 AA
6,813,146 B2 * 11/2004 Haraguchi et al. 361/679.55
D499,725 S 12/2004 Lee

(Continued)

OTHER PUBLICATIONS

i-mate Jasjar telephone, announced Aug. 2005, [online], [site visited May 29, 2014]. Available from Internet, <URL: http://www.gsmarena.com/i_mate_jasjar-1262.php>.*

(Continued)

Primary Examiner — Jeffrey D Asch

(74) *Attorney, Agent, or Firm* — Panasonic Patent Center

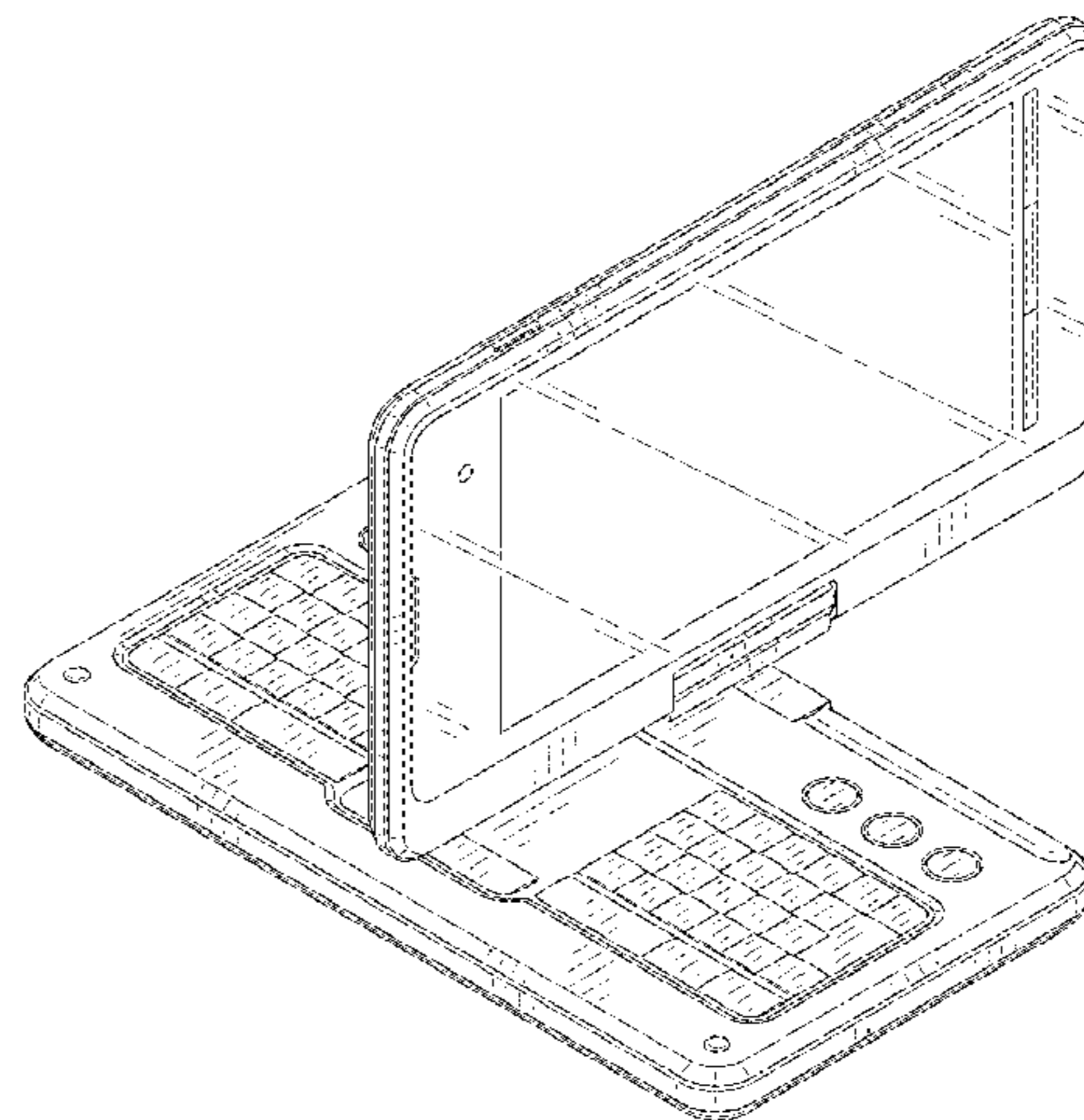
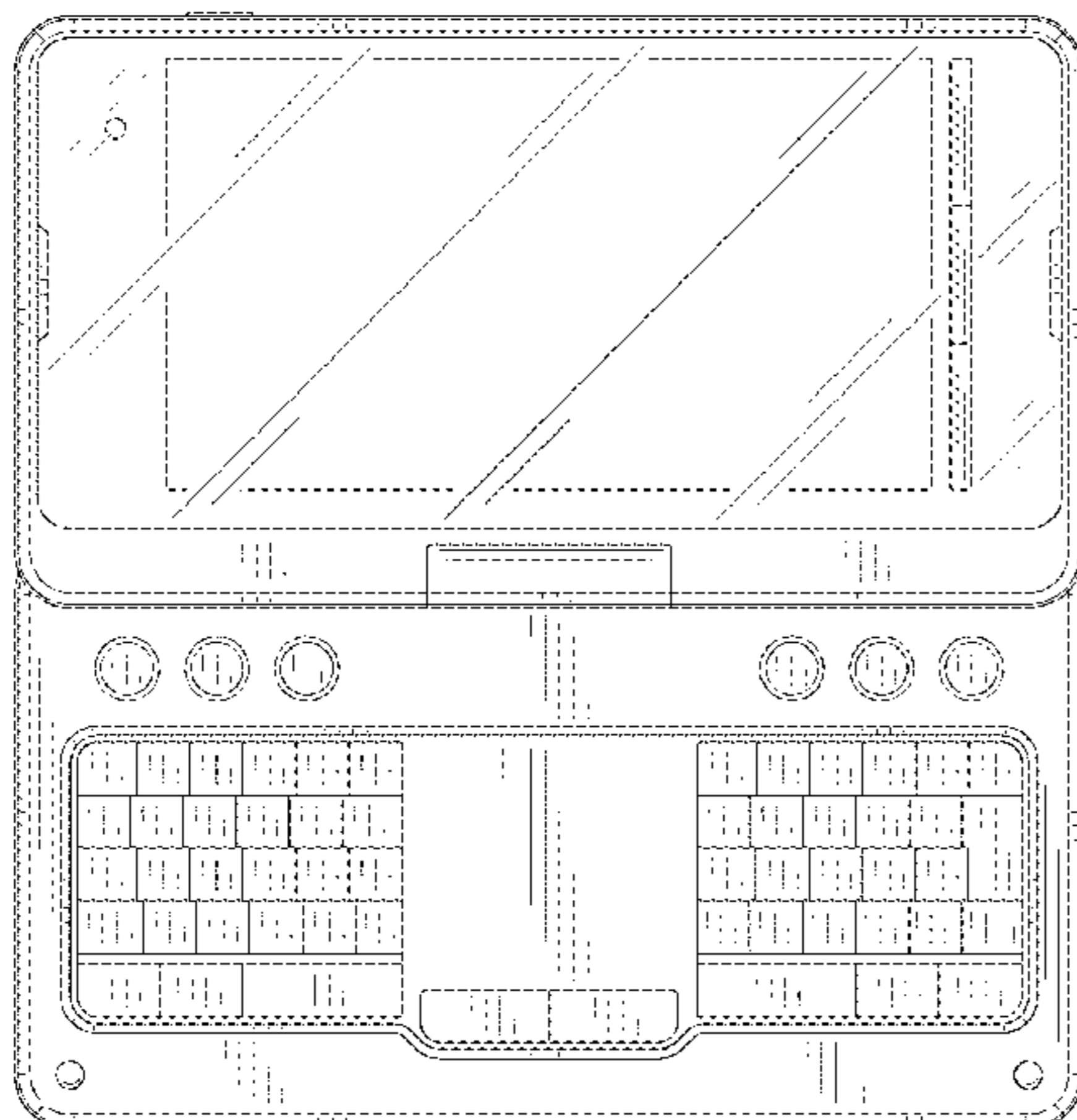
(57) **CLAIM**

I claim the ornamental design for a mobile phone, as shown and described.

DESCRIPTION

FIG. 1 is a front perspective view of a mobile phone of the present invention;
FIG. 2 is a rear perspective view thereof;
FIG. 3 is a front view thereof;
FIG. 4 is a rear view thereof;
FIG. 5 is a left side view thereof;
FIG. 6 is a right side view thereof;
FIG. 7 is a top view thereof;
FIG. 8 is a bottom view thereof;
FIG. 9 is a perspective view thereof shown in a closed position;
FIG. 10 is a perspective view thereof shown in a vertically opened position with the display portion;
FIG. 11 is a perspective view thereof shown in a rotated position with the display portion; and,
FIG. 12 is a perspective view thereof shown in a closed position with the display turned up portion.

1 Claim, 12 Drawing Sheets



(56)

References Cited

U.S. PATENT DOCUMENTS

D524,870 S * 7/2006 Sugino et al. D21/330
 D532,051 S * 11/2006 Sugino et al. D21/330
 D538,281 S * 3/2007 Gambaro D14/391
 D557,674 S * 12/2007 Lee et al. D14/138 AB
 D577,018 S * 9/2008 Lin D14/346
 D579,902 S * 11/2008 Kim et al. D14/138 AD
 D592,211 S * 5/2009 Ichise et al. D14/346
 D601,992 S * 10/2009 Choi et al. D14/138 AB
 D603,363 S * 11/2009 Choi et al. D14/138 AB
 D605,158 S * 12/2009 Hung et al. D14/138 G
 D605,646 S * 12/2009 Chan et al. D14/315
 D606,535 S * 12/2009 Morooka et al. D14/316
 D615,082 S * 5/2010 Taichi
 D622,253 S * 8/2010 Park D14/138 G
 D623,622 S * 9/2010 Komiya et al. D14/138 AB
 D624,515 S * 9/2010 Kim et al. D14/138 AB
 D624,520 S * 9/2010 Nishikawa D14/138 AB
 D624,907 S * 10/2010 Komiya et al.

D627,774 S * 11/2010 Setthalath et al. D14/318
 D632,271 S * 2/2011 Arnholt et al. D14/138 AB
 D640,691 S * 6/2011 Nieves D14/346
 D645,013 S * 9/2011 Lee et al. D14/138 AB
 D648,299 S * 11/2011 Kim D14/138 G
 D650,447 S * 12/2011 Ehara et al. D21/330
 8,102,646 B2 * 1/2012 Shimamoto et al. 361/679.09
 D668,248 S * 10/2012 Sanjo et al.
 2006/0135225 A1 * 6/2006 Lin et al. 455/575.3
 2007/0236464 A1 * 10/2007 Kojo 345/172
 2012/0247739 A1 * 10/2012 Fujiwara 165/121

OTHER PUBLICATIONS

Motorola Backflip telephone, announced Jan. 2010, [online], [site visited May 29, 2014]. Available from Internet, <URL: http://www.gsmarena.com/motorola_backflip-3079.php>.*
 LG KF900 Prada telephone, announced Oct. 2008, [online], [site visited May 29, 2014]. Available from Internet, <URL: http://www.gsmarena.com/lg_kf900_prada-2552.php>.*

* cited by examiner

FIG. 1

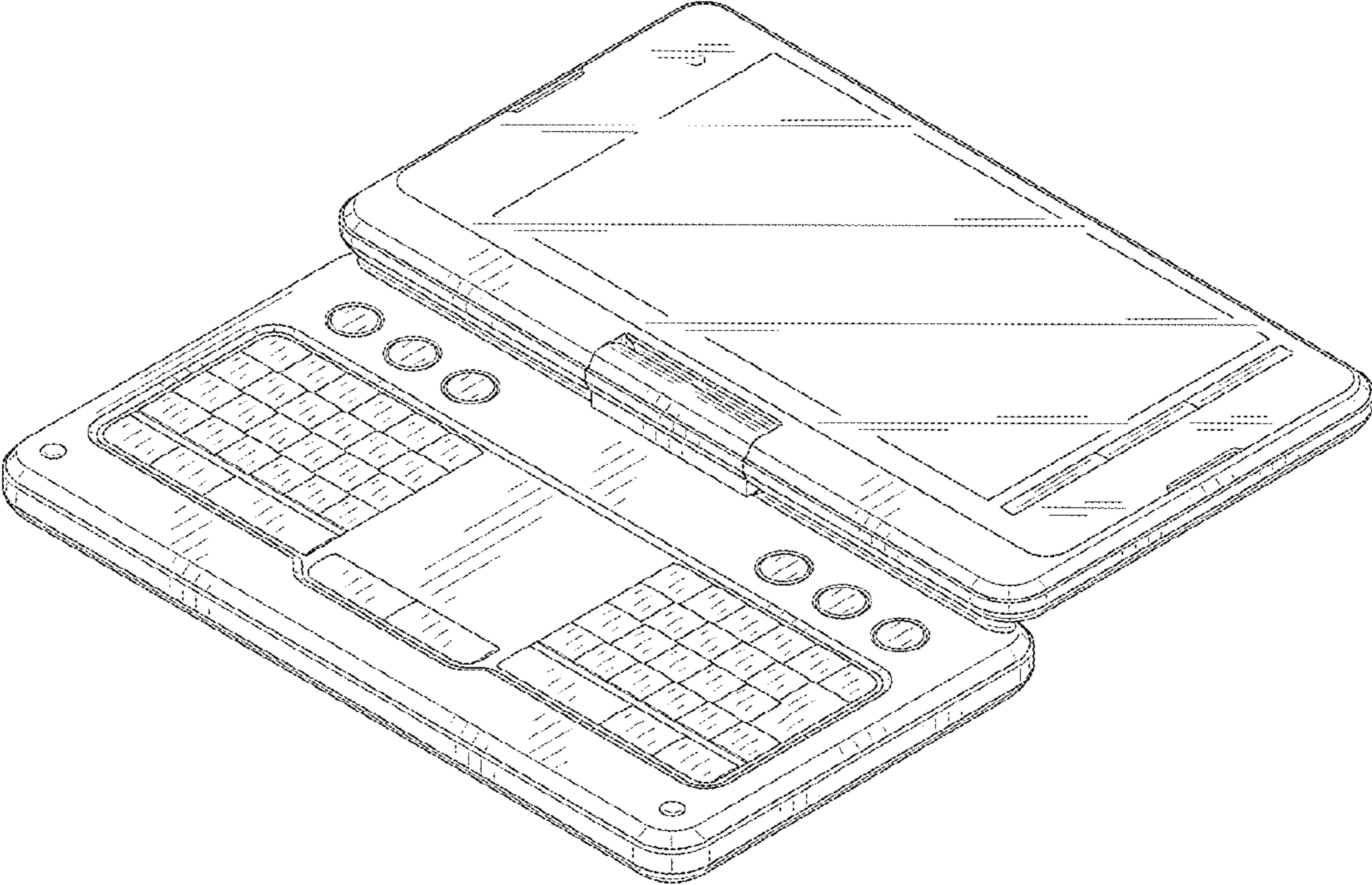


FIG. 2

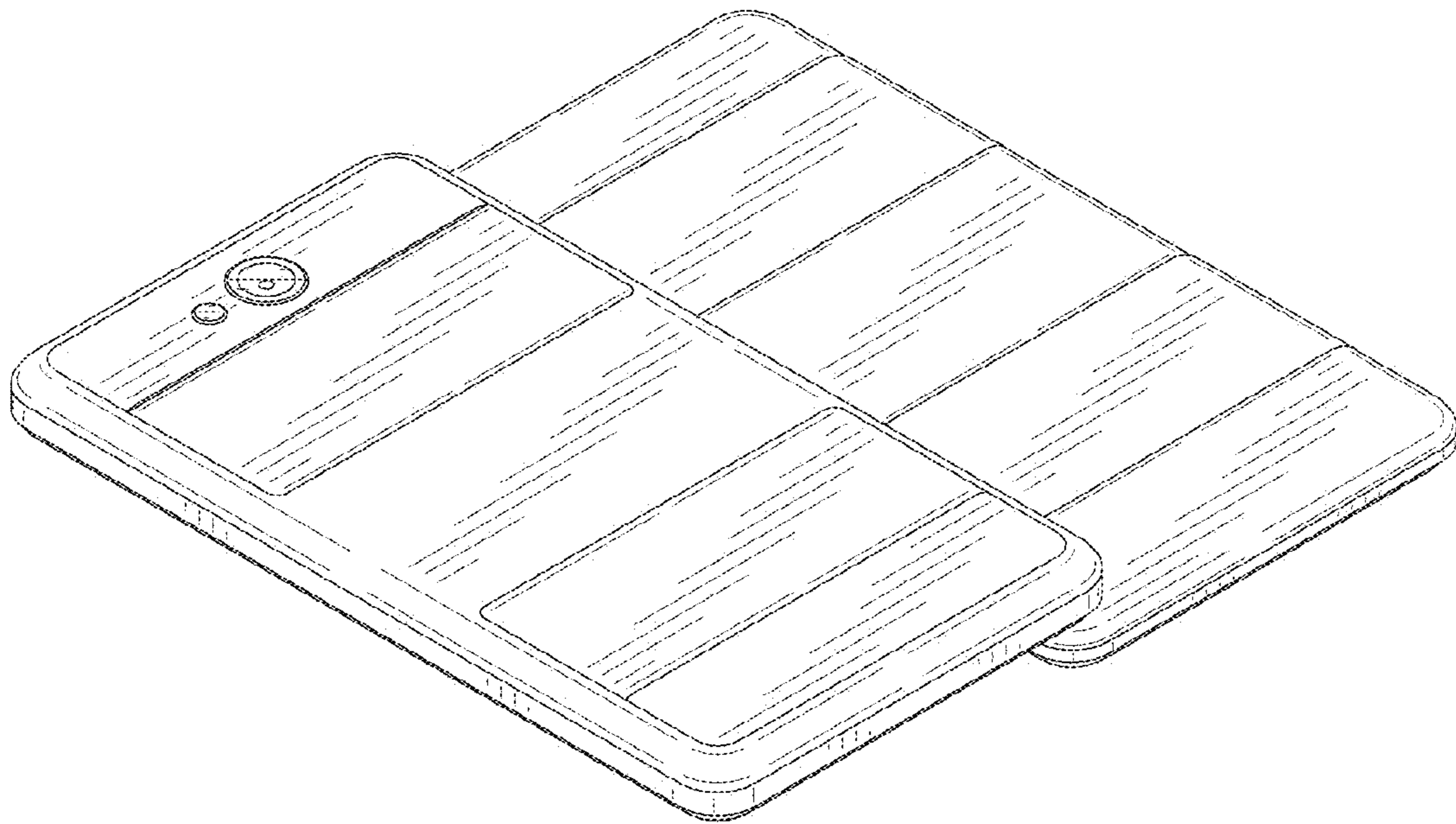


FIG. 3

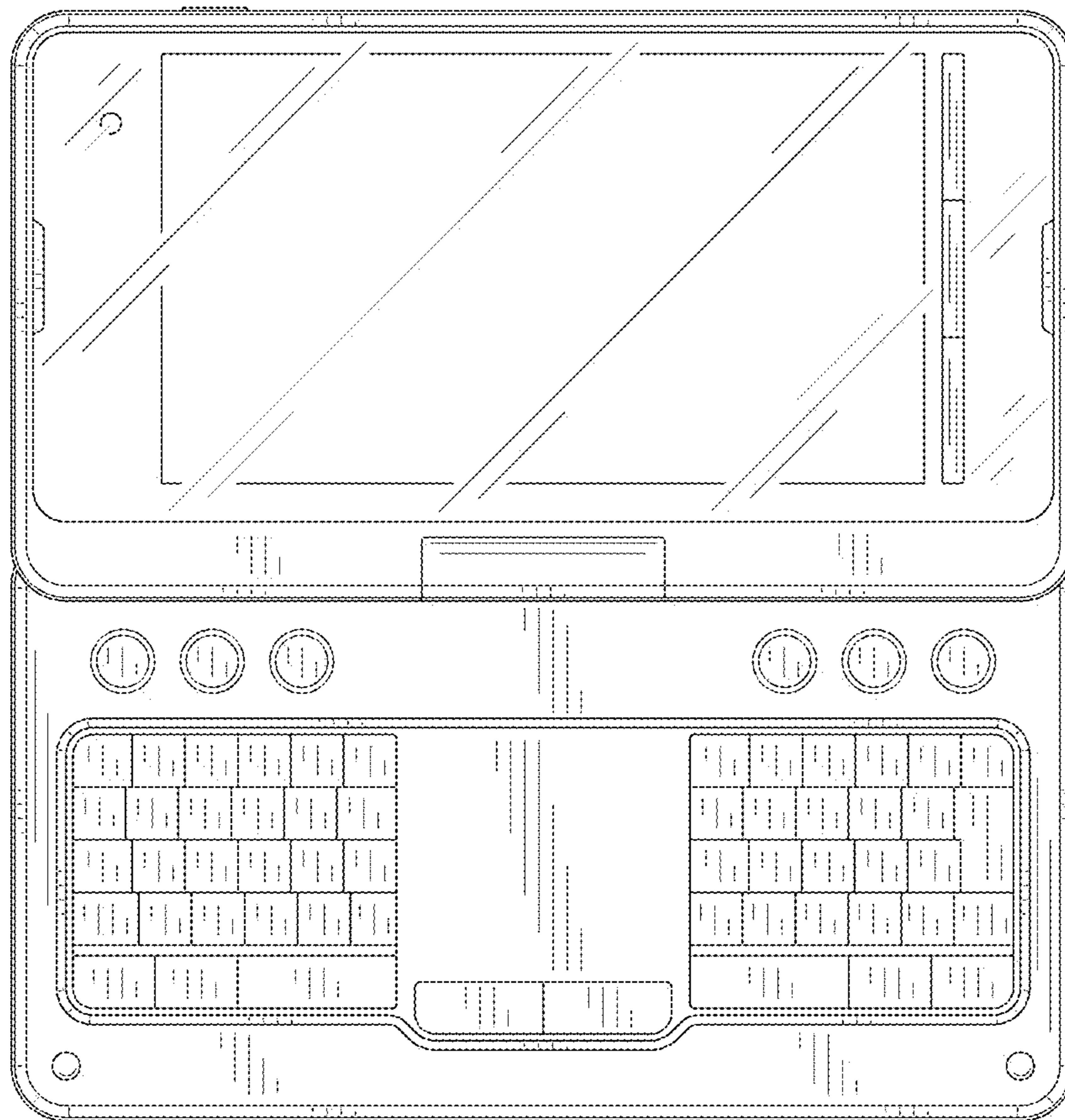


FIG. 4

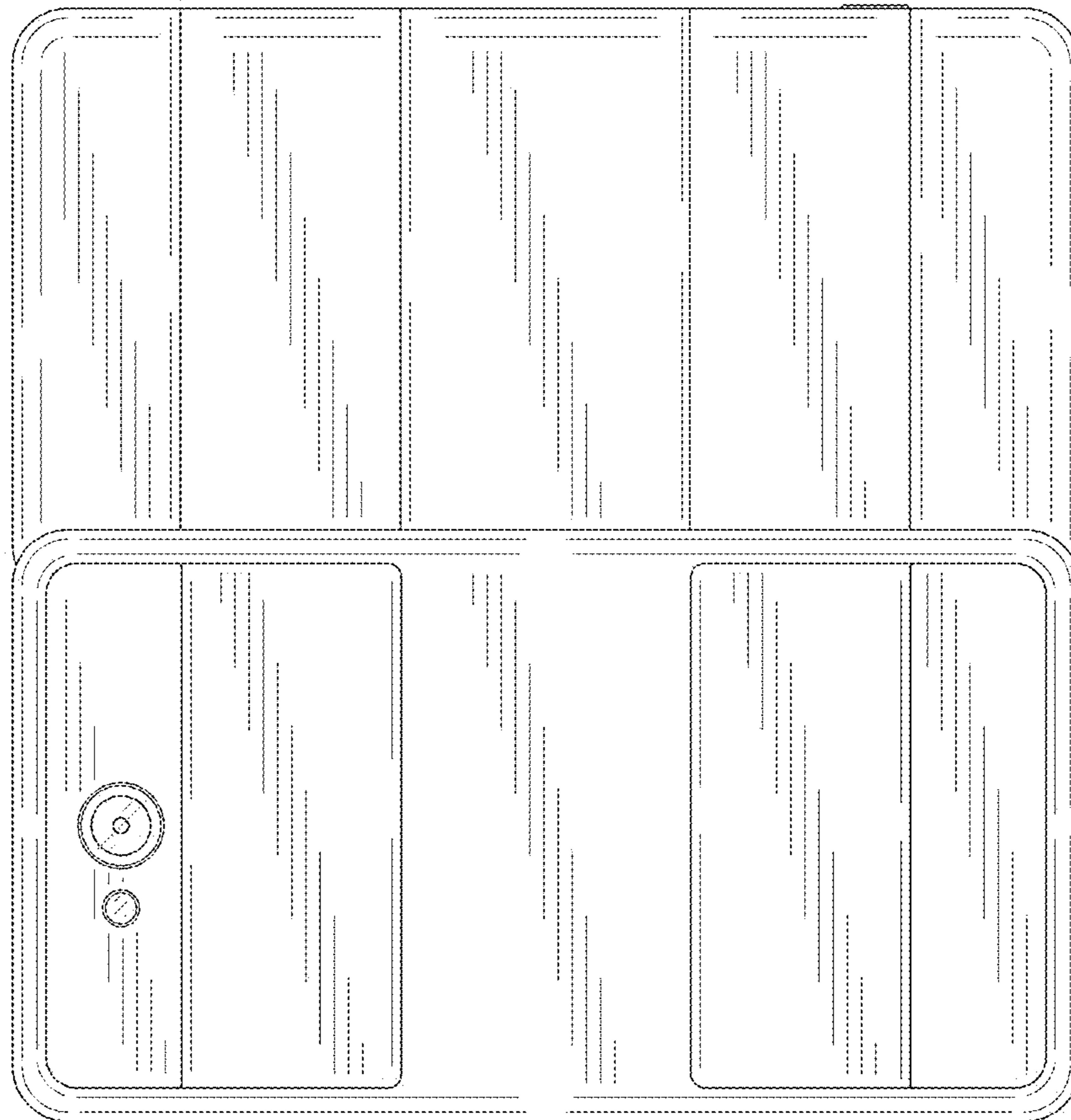


FIG. 5

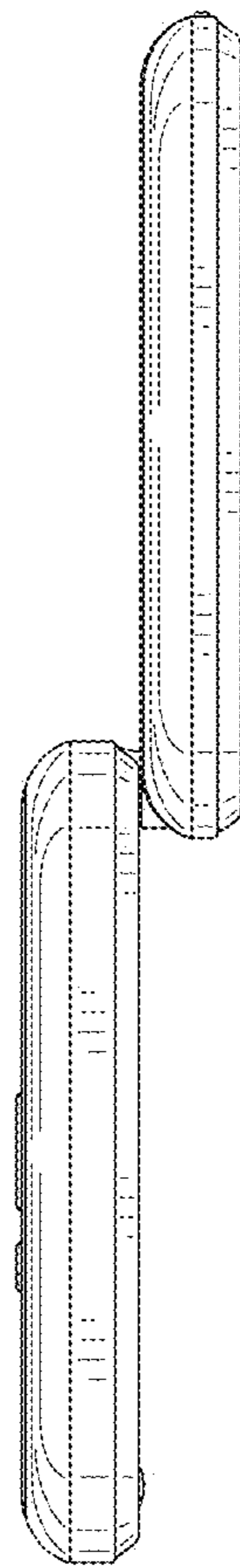


FIG. 6

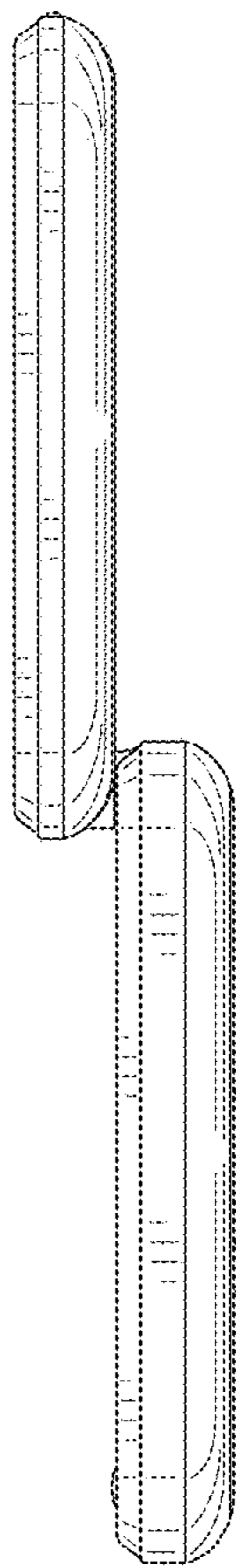


FIG. 7

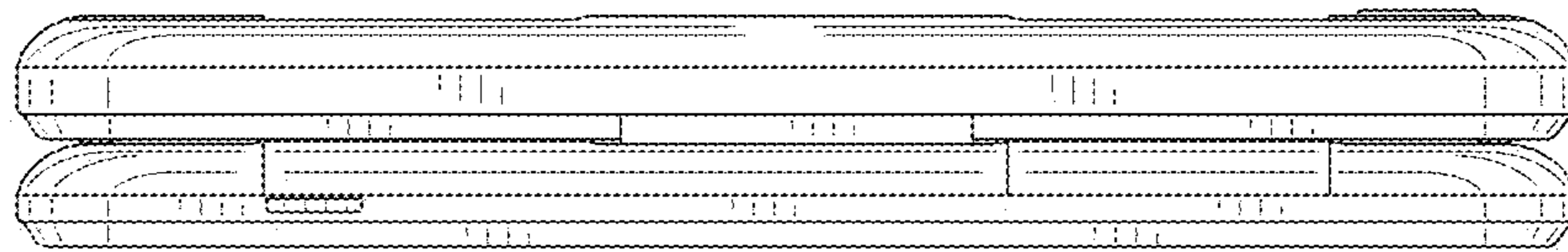


FIG. 8

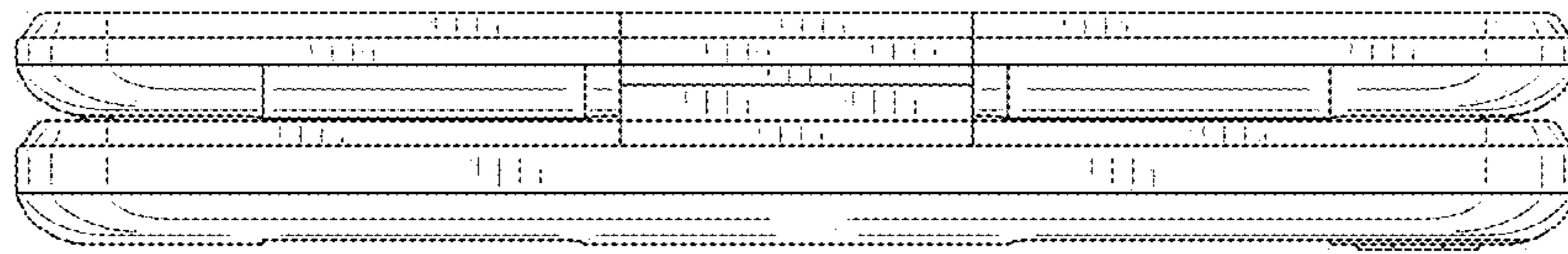


FIG. 9

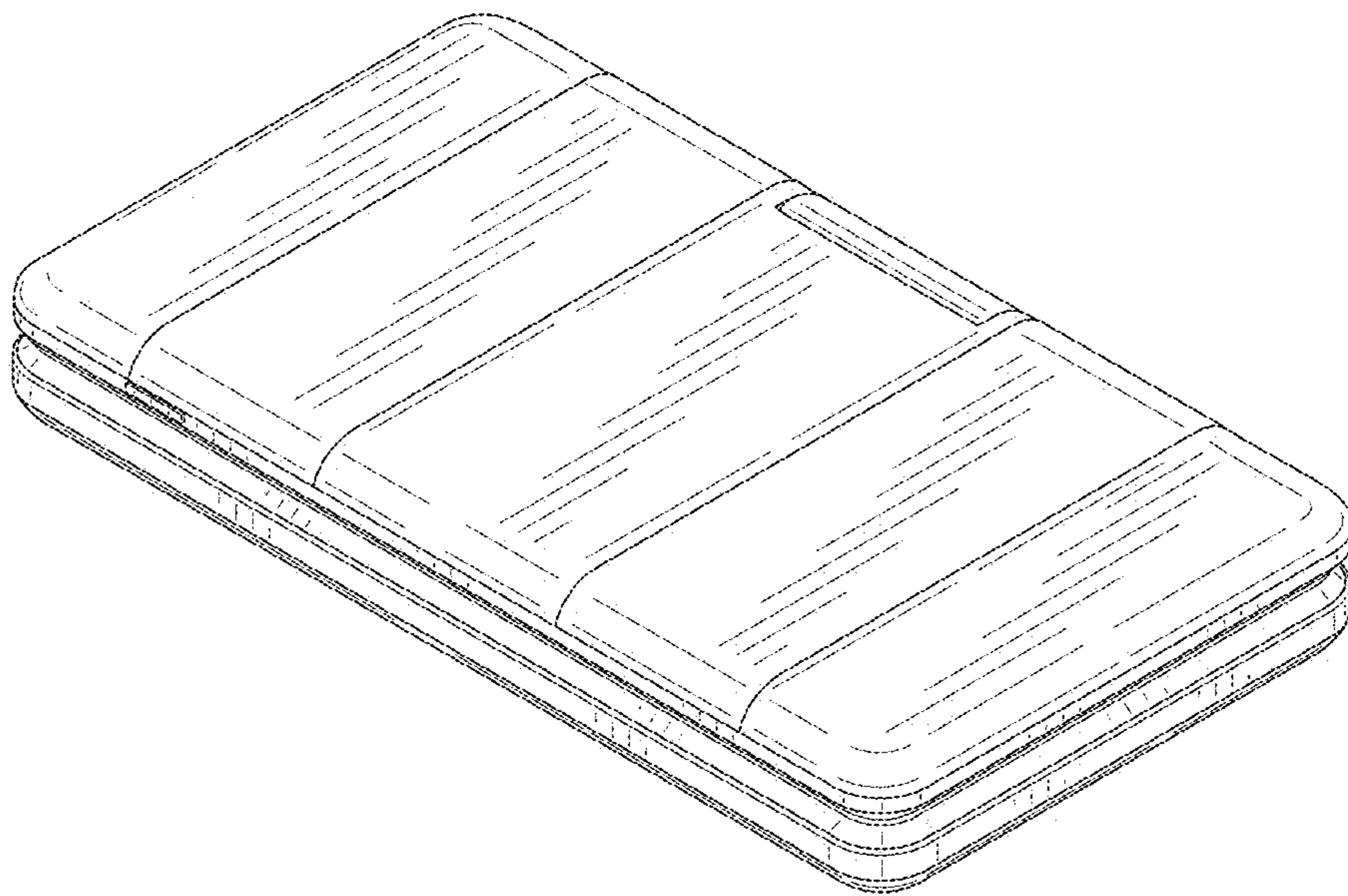


FIG. 10

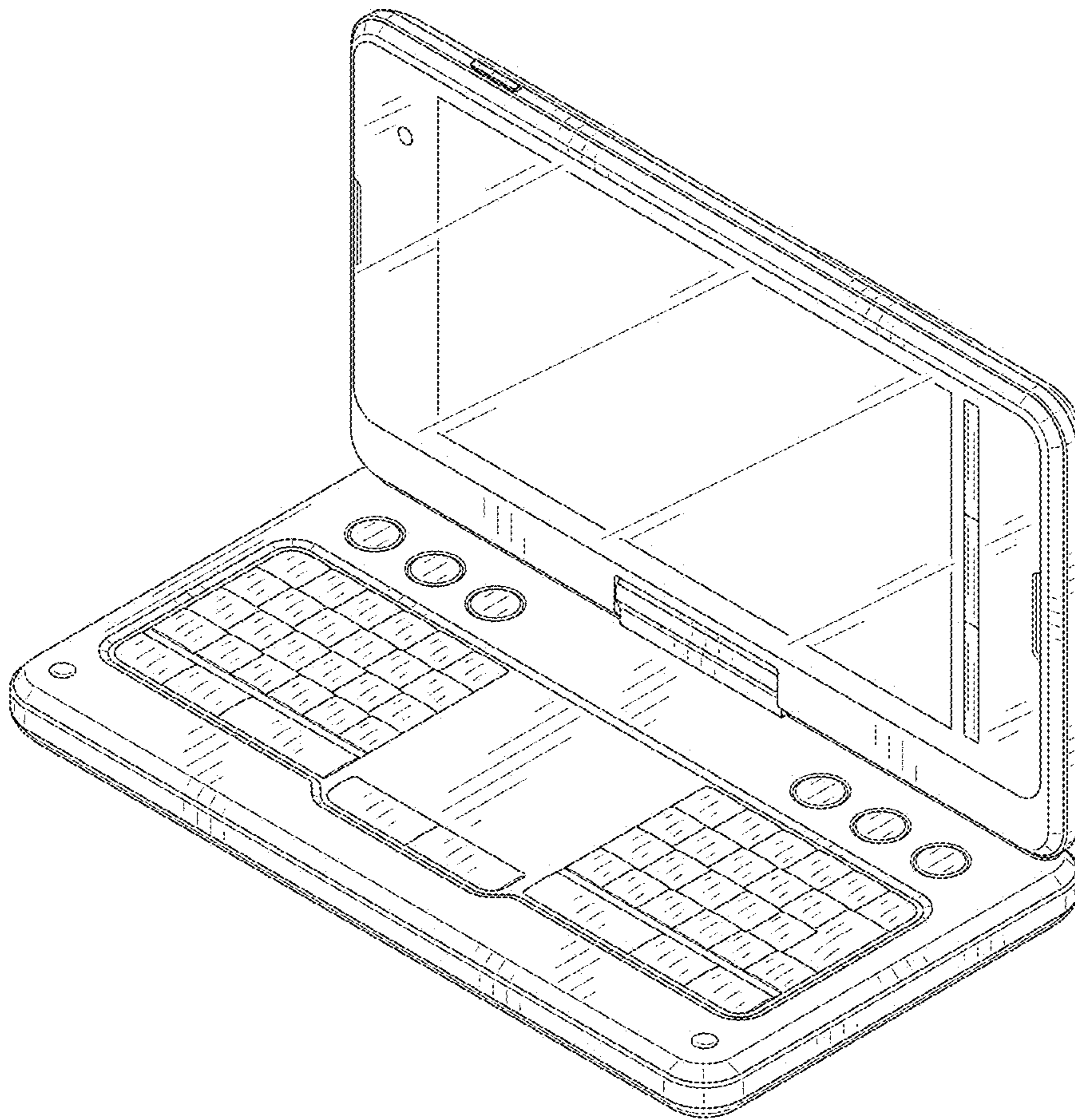


FIG. 11

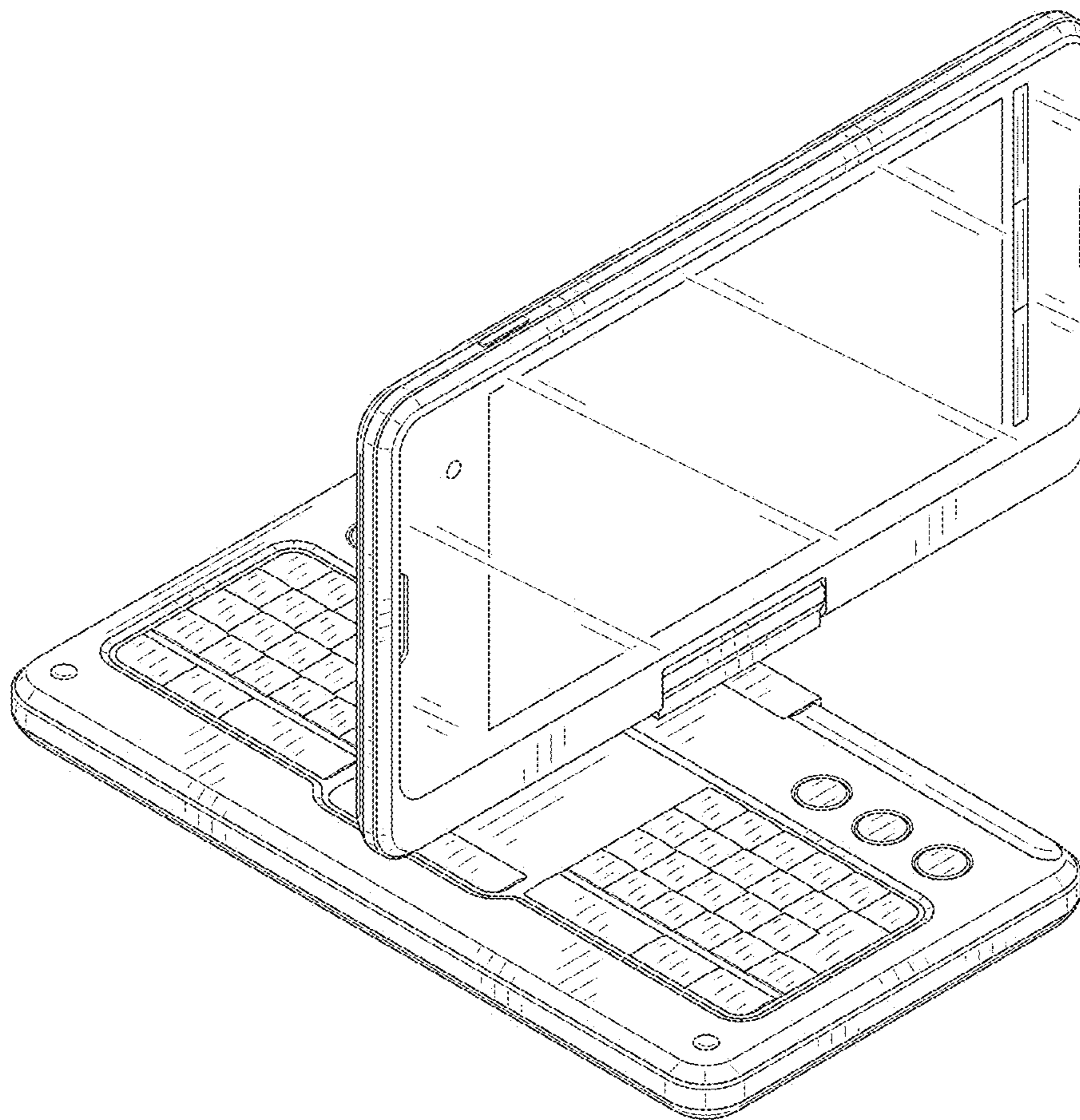


FIG. 12

