



US00D714245S

(12) **United States Design Patent**
Ji et al.

(10) **Patent No.:** **US D714,245 S**
(45) **Date of Patent:** **** Sep. 30, 2014**

- (54) **CELLULAR PHONE**
- (71) Applicant: **LG Electronics Inc.**, Seoul (KR)
- (72) Inventors: **Seunghyun Ji**, Seoul (KR); **Seungchul Cho**, Seoul (KR)
- (73) Assignee: **LG Electronics Inc.**, Seoul (KR)
- (**) Term: **14 Years**
- (21) Appl. No.: **29/464,438**
- (22) Filed: **Aug. 16, 2013**
- (30) **Foreign Application Priority Data**

Mar. 5, 2013 (KR) 30-2013-0011124

- (51) **LOC (10) Cl.** **14-03**
- (52) **U.S. Cl.**
USPC **D14/138 AD**
- (58) **Field of Classification Search**
CPC . H04M 1/0202; H04M 1/0239; H04M 1/605;
H04M 1/0241; H04M 1/022; H04M 1/0214;
H04M 1/023; H04M 1/0247; G06F 1/1626;
G06F 1/1616; G06F 1/1643; G06F 1/1692;
G06F 3/0488; H04B 1/3833; G09G 3/3426;
G26F 1/133603
USPC D14/138 G, 138 AD, 341, 346, 138 R,
D14/496, 203.1, 203.4, 203.5, 203.6, 203.7,
D14/248, 218; 455/575.1, 556.2, 575.3,
455/575.4; D21/517, 329; 379/433.01,
379/433.04; D10/65, 78; 361/679.3, 679.56
See application file for complete search history.

(56) **References Cited**

U.S. PATENT DOCUMENTS

- D611,924 S * 3/2010 Ou et al. D14/138 AD
- D615,946 S * 5/2010 Mun D14/138 G
- D618,200 S * 6/2010 Kim et al. D14/138 AD
- D619,984 S * 7/2010 Han et al. D14/138 AD
- D621,378 S * 8/2010 Kim et al. D14/138 AD
- D629,375 S * 12/2010 Han et al. D14/138 AD

- D629,776 S * 12/2010 Lee et al. D14/138 AD
- D631,864 S * 2/2011 Jung D14/138 AB
- D633,066 S * 2/2011 Park et al. D14/138 AD
- D635,949 S * 4/2011 Kim D14/138 AD
- D636,368 S * 4/2011 Kim D14/138 AD
- D640,221 S * 6/2011 Lee et al. D14/138 AD
- D640,223 S * 6/2011 Park et al. D14/138 G

(Continued)

OTHER PUBLICATIONS

LG Xpression C395 telephone, announced Apr. 2012, [online], [site visited May 29, 2014]. Available from Internet, <URL: http://www.gsmarena.com/lg_xpression_c395-4712.php>.*

LG Rumor Reflex LN272 telephone, announced Mar. 2012, [online], [site visited May 29, 2014]. Available from Internet, <URL: http://www.gsmarena.com/lg_rumor_reflex_ln272-4625.php>.*

LG Enlighten VS700 telephone, announced Sep. 2011, [online], [site visited May 29, 2014]. Available from Internet, <URL: http://www.gsmarena.com/lg_enlighten_vs700-4352.php>.*

(Continued)

Primary Examiner — Jeffrey D Asch

(74) *Attorney, Agent, or Firm* — Morgan, Lewis & Bockius LLP

(57) **CLAIM**

The ornamental design for a cellular phone, as shown and described.

DESCRIPTION

FIG. 1 is a front, right side, perspective view of a cellular phone showing our new design;

FIG. 2 is a front view thereof;

FIG. 3 is a rear view thereof;

FIG. 4 is a left side view thereof;

FIG. 5 is a right side view thereof;

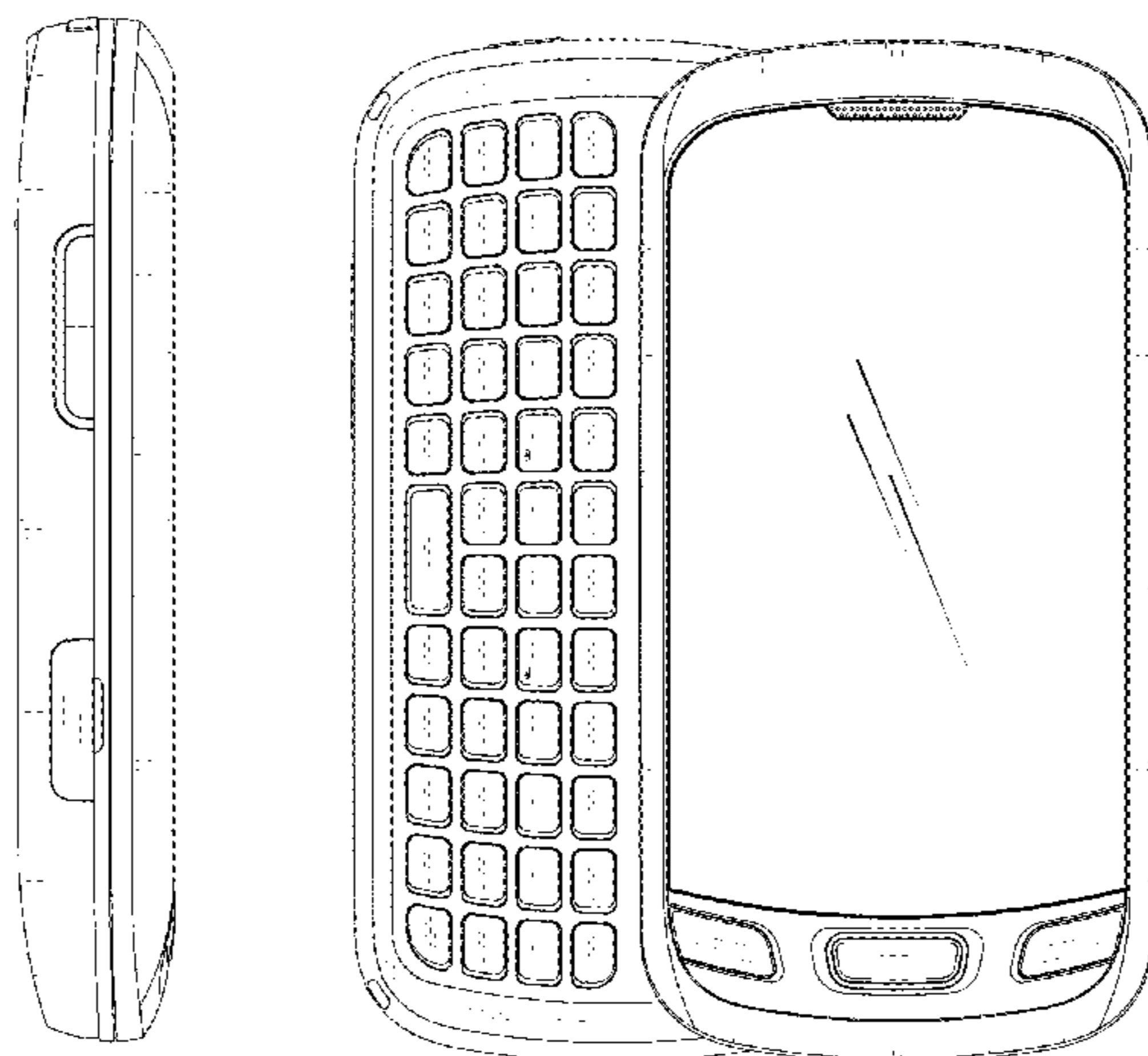
FIG. 6 is a top view thereof;

FIG. 7 is a bottom view thereof; and,

FIG. 8 is a front view thereof showing the open position.

The features in FIG. 8, which occur on an interior surface between the front and rear panels, are substantially flat, with no significant thickness or change of contour.

1 Claim, 6 Drawing Sheets



(56)

References Cited

U.S. PATENT DOCUMENTS

D642,152 S * 7/2011 Cho D14/138 AD
 D644,194 S * 8/2011 Joung et al. D14/138 AD
 D644,196 S * 8/2011 Lee et al. D14/138 AD
 D645,011 S * 9/2011 Min D14/138 AD
 D646,252 S * 10/2011 Kim et al. D14/138 AD
 D651,188 S * 12/2011 Sugiyama D14/138 AD
 D653,642 S * 2/2012 Han D14/138 AD
 D655,268 S * 3/2012 Mezaki D14/138 AD
 D657,762 S * 4/2012 Jung et al. D14/138 AD
 D658,148 S * 4/2012 Park D14/138 AD
 D659,667 S * 5/2012 Jung et al. D14/138 AD
 8,189,349 B2 * 5/2012 Lee et al. 361/814
 D663,708 S * 7/2012 Kim et al. D14/138 AD
 D670,672 S * 11/2012 Kim D14/138 AD
 D676,009 S * 2/2013 Hirota D14/138 AD
 D687,804 S * 8/2013 Park D14/138 G
 2011/0059774 A1 * 3/2011 Clift et al. 455/566

OTHER PUBLICATIONS

LG C900 Optimus 7Q telephone, announced Oct. 2010, [online], [site visited May 29, 2014]. Available from Internet, <URL: http://www.gsmarena.com/lg_c900_optimus_7q_-3555.php>.*
 LG GW520 telephone, announced Jun. 2009, [online], [site visited May 29, 2014]. Available from Internet, <URL: http://www.gsmarena.com/lg_gw520-2814.php>.*
 Samsung M900 Moment telephone, announced Aug. 2009, [online], [site visited May 29, 2014]. Available from Internet, <URL: http://www.gsmarena.com/samsung_m900_moment-3464.php>.*
 Samsung R730 Transfix telephone, announced Oct. 2011, [online], [site visited May 29, 2014]. Available from Internet, <URL: http://www.gsmarena.com/samsung_r730_transfix-4284.php>.*
 Blu Neo Pro telephone, announced Aug. 2011, [online], [site visited May 29, 2014]. Available from Internet, <URL: http://www.gsmarena.com/blu_neo_pro-4195.php>.*

* cited by examiner

FIG. 1

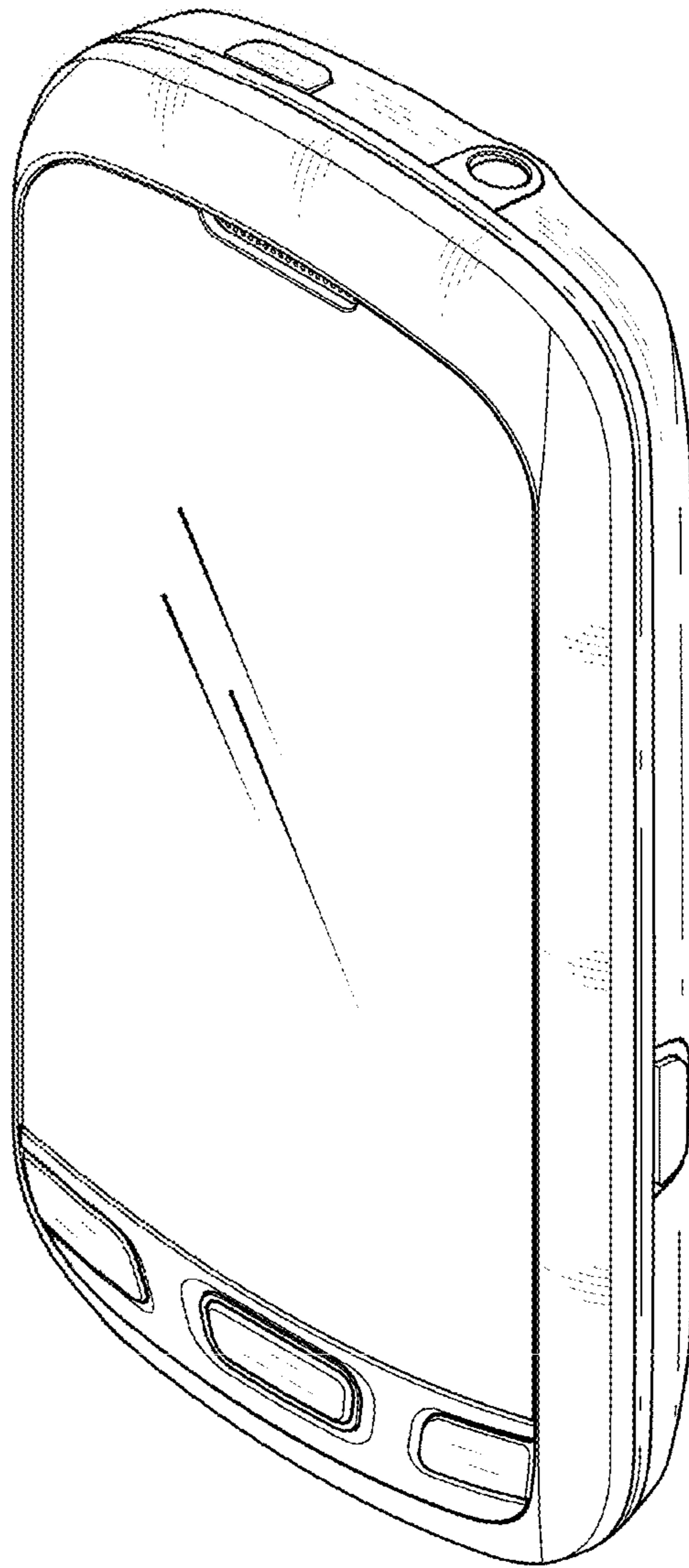


FIG. 2

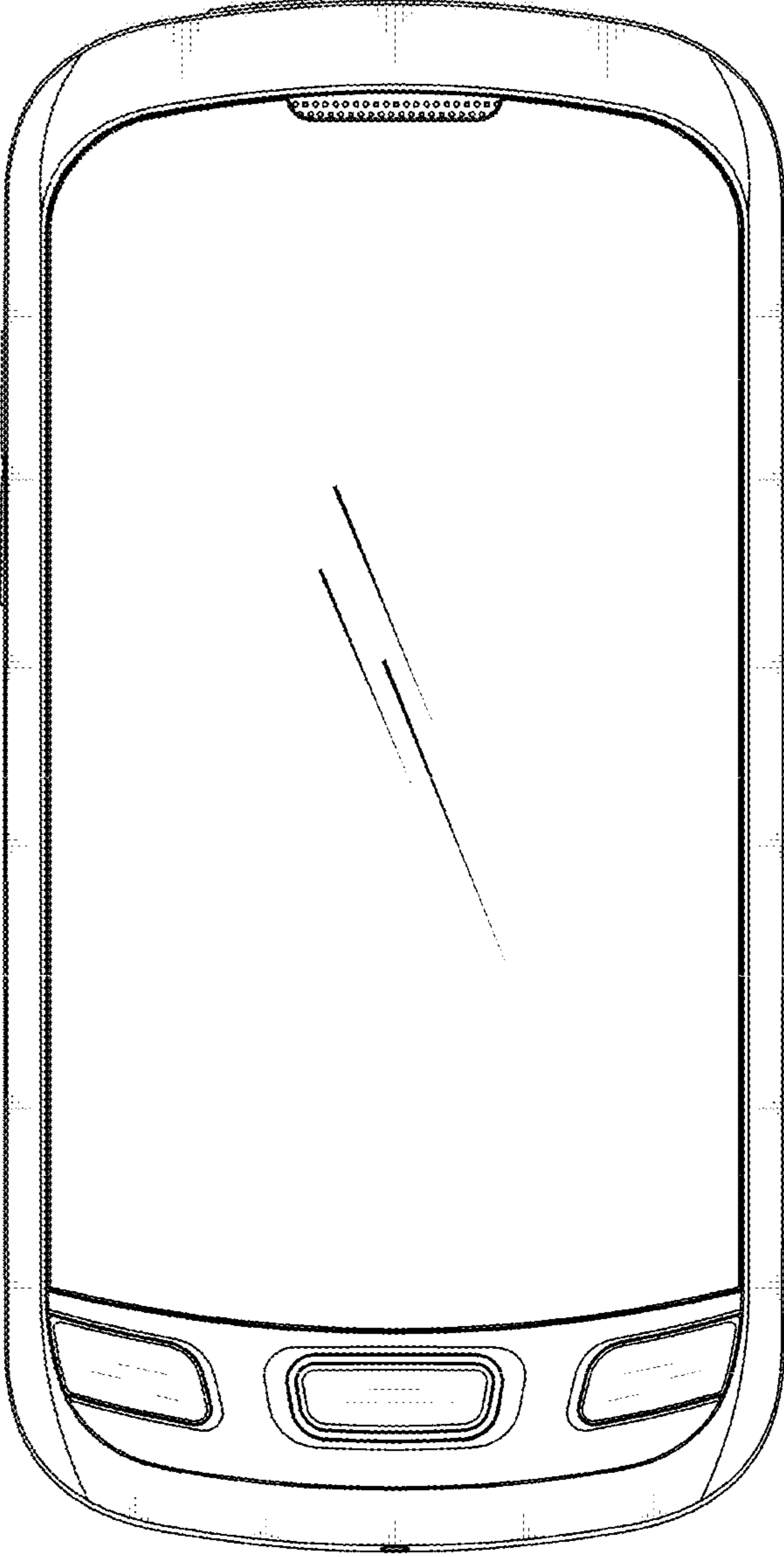


FIG. 3

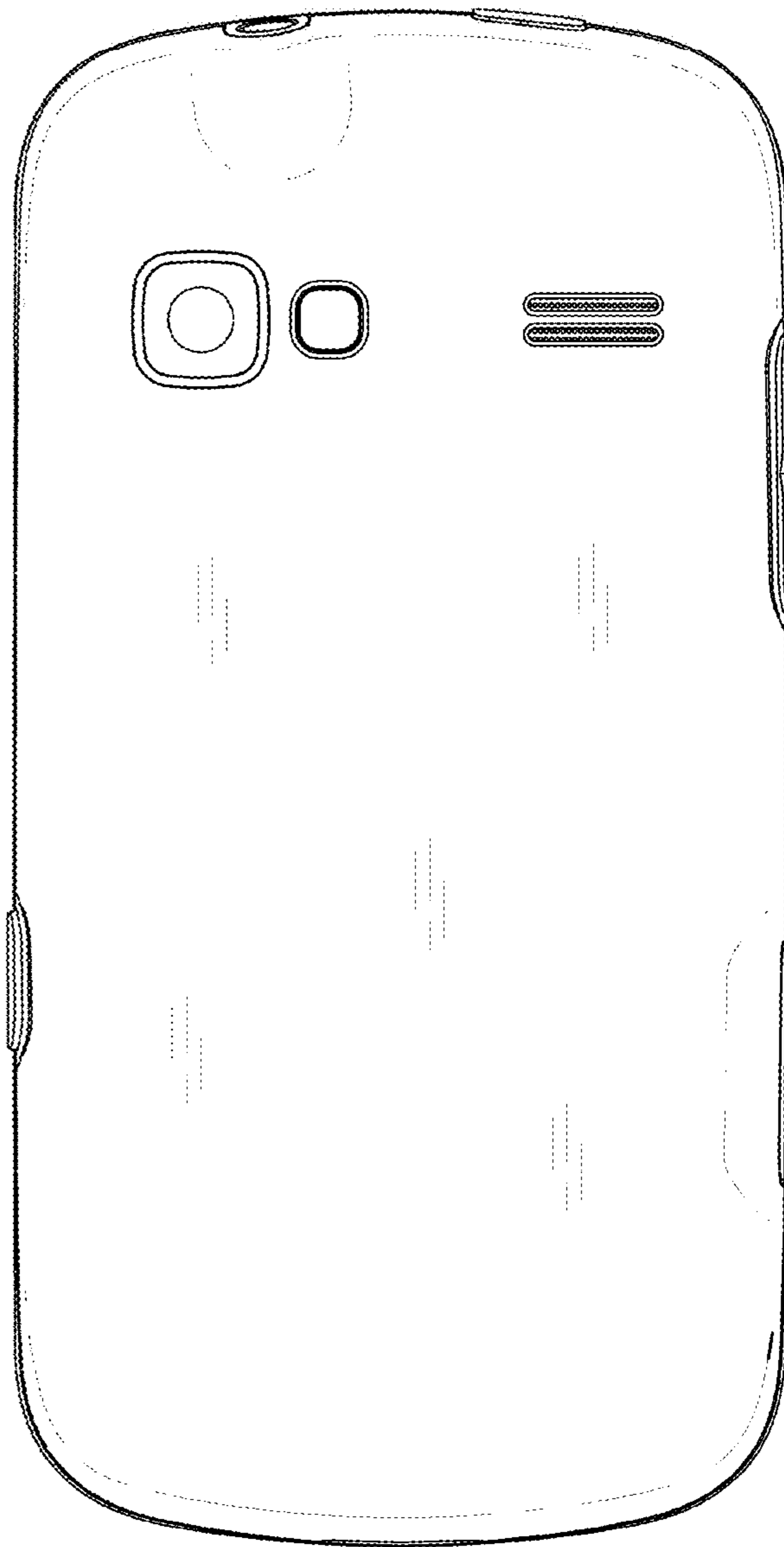


FIG. 4

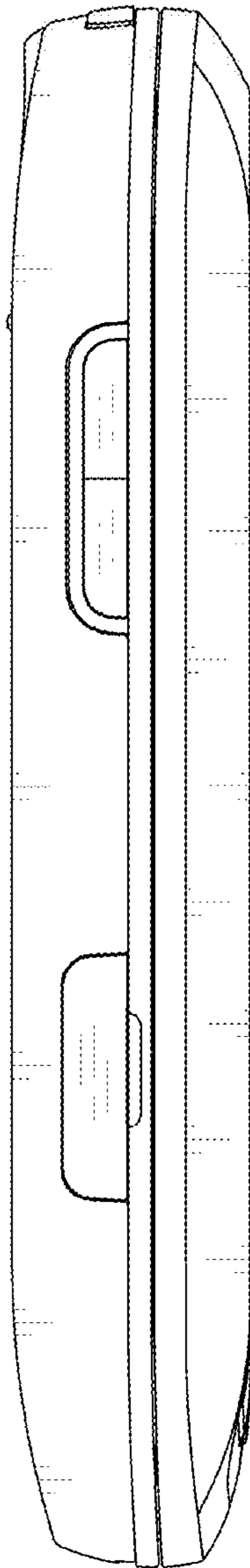


FIG. 5

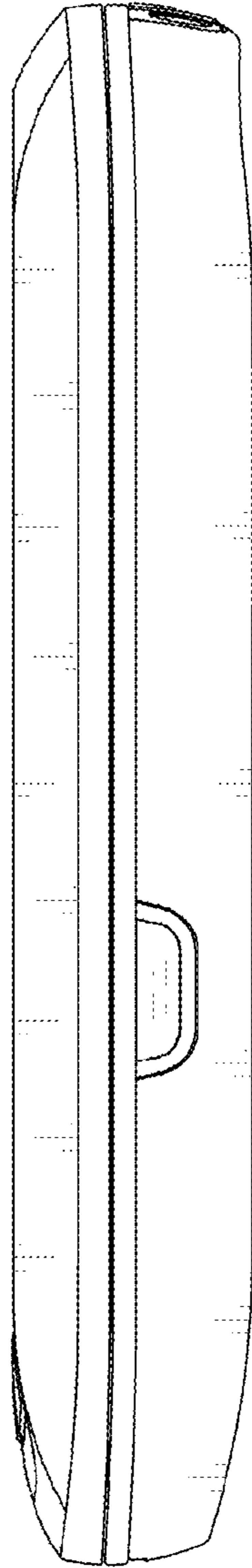


FIG. 6

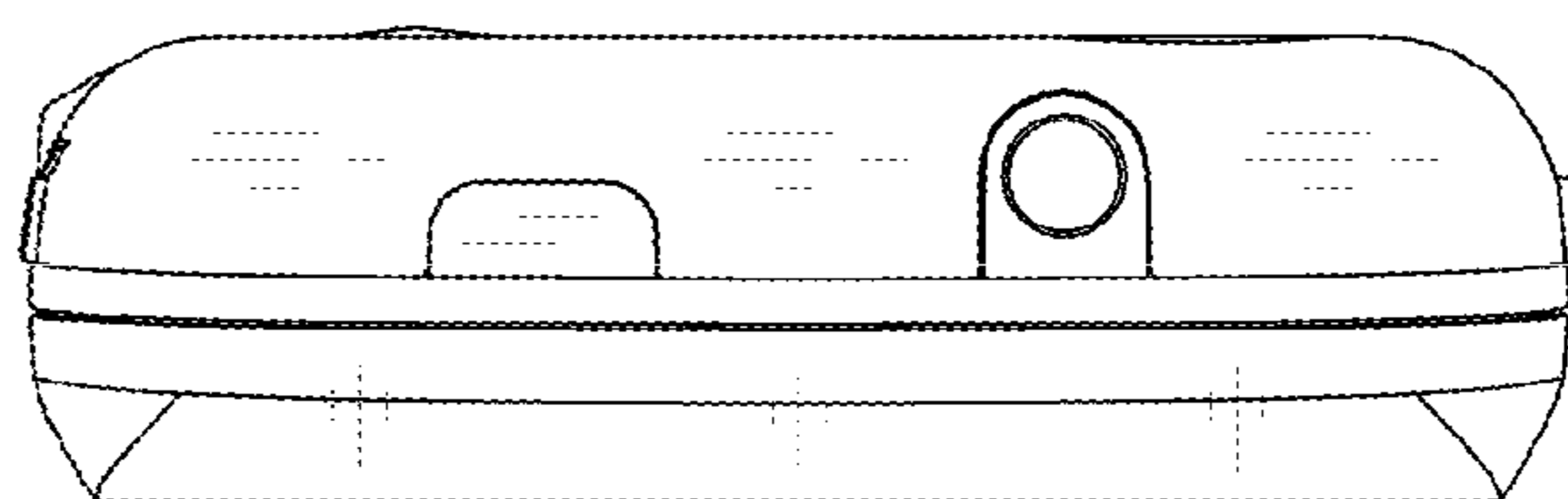


FIG. 7

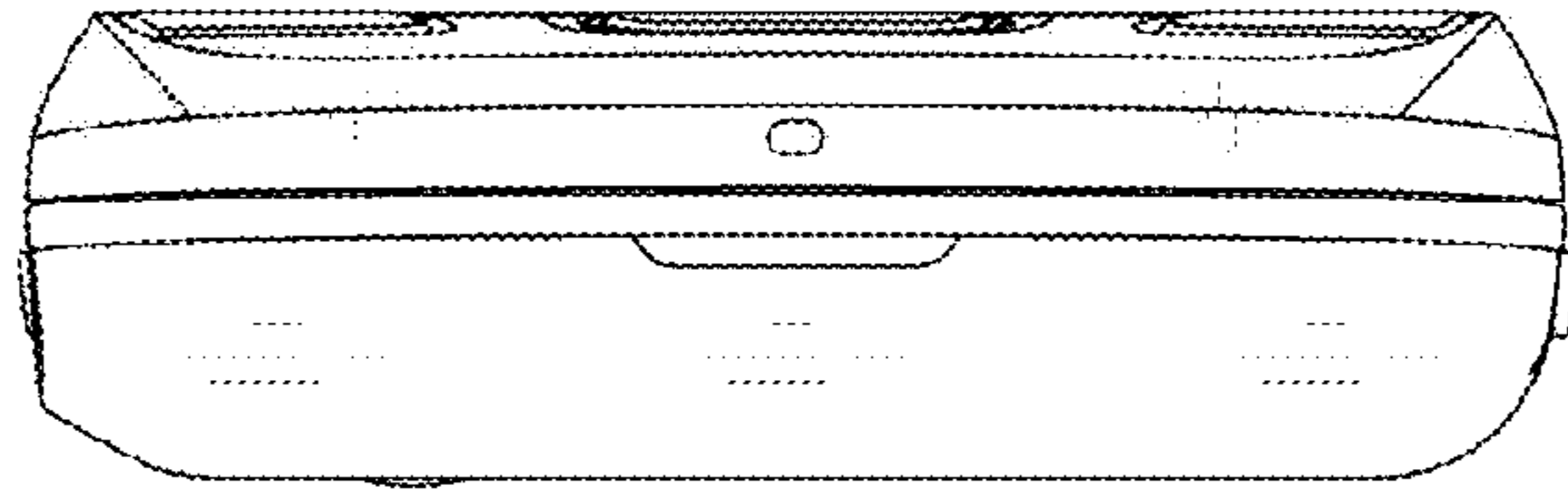


FIG. 8

