



US00D714240S

(12) **United States Design Patent**  
**Boyer, Jr.**

(10) **Patent No.:** **US D714,240 S**

(45) **Date of Patent:** **\*\* Sep. 30, 2014**

(54) **IN-FLIGHT ENTERTAINMENT UNIT**

(75) Inventor: **William J. Boyer, Jr.**, Kapaa, HI (US)

(73) Assignee: **Skycast Solutions Inc.**, Seattle, WA (US)

(\*\*) Term: **14 Years**

(21) Appl. No.: **29/416,028**

(22) Filed: **Mar. 16, 2012**

(51) **LOC (10) Cl.** ..... **14-03**

(52) **U.S. Cl.**  
USPC ..... **D14/132**

(58) **Field of Classification Search**

CPC ..... H04N 21/42224; H04N 2005/443;  
H04N 21/4122; H04N 21/41407; H04N  
21/4222; H04N 21/43615; H04N 21/43635;  
H04N 5/4403; H04N 5/64; H04N 5/655;  
H04N 5/645; H04N 7/00  
USPC ..... D14/126, 132, 127, 129, 128, 371, 317,  
D14/130; 720/600, 605, 655; 455/347;  
248/917, 918, 919, 920, 921, 922, 923,  
248/924; D10/15, 26; 273/148 B; 345/104,  
345/133, 156, 168, 87, 173, 102; 312/7.2;  
D26/66; D16/203, 202; 348/679.55,  
348/375, 387

See application file for complete search history.

(56) **References Cited**

**U.S. PATENT DOCUMENTS**

4,511,178 A 4/1985 Brennan  
4,521,021 A 6/1985 Dixon  
D431,559 S \* 10/2000 Morooka ..... D14/318  
6,454,349 B1 9/2002 Konya  
D467,234 S \* 12/2002 Scribner ..... D14/132  
6,899,390 B2 5/2005 Sanfrod et al.  
D516,529 S \* 3/2006 Ko et al. .... D14/132  
D539,768 S \* 4/2007 Vitito ..... D14/132

D553,591 S \* 10/2007 Yanaura et al. .... D14/132  
7,500,716 B2 3/2009 Guerin et al.  
D597,981 S \* 8/2009 Kuether et al. .... D14/132  
D636,749 S \* 4/2011 Kucera ..... D14/132  
D647,074 S \* 10/2011 Naruo ..... D14/132  
D660,262 S \* 5/2012 Cho et al. .... D14/132  
2003/0184957 A1 10/2003 Stahl et al.  
2005/0053237 A1 3/2005 Hanson  
2005/0055228 A1 3/2005 Boyer, Jr. et al.  
2005/0055278 A1 3/2005 Boyer, Jr.  
2005/0132407 A1 6/2005 Boyer, Jr. et al.  
2008/0142585 A1 6/2008 Foreman et al.  
2013/0070171 A1\* 3/2013 Boyer, Jr. .... 348/837

**FOREIGN PATENT DOCUMENTS**

WO 03106261 12/2003

\* cited by examiner

*Primary Examiner* — Robert M Spear

*Assistant Examiner* — Eliza Bennett-Hattan

(74) *Attorney, Agent, or Firm* — Davis Wright Tremaine  
LLP; George C. Rondeau, Jr.

(57) **CLAIM**

The ornamental design for an in-flight entertainment unit, as shown and described.

**DESCRIPTION**

FIG. 1 is a top left side perspective view of an in-flight entertainment unit showing my new design thereof.

FIG. 2 is a front elevational view thereof.

FIG. 3 is a top plan view thereof.

FIG. 4 is a left side elevational view thereof.

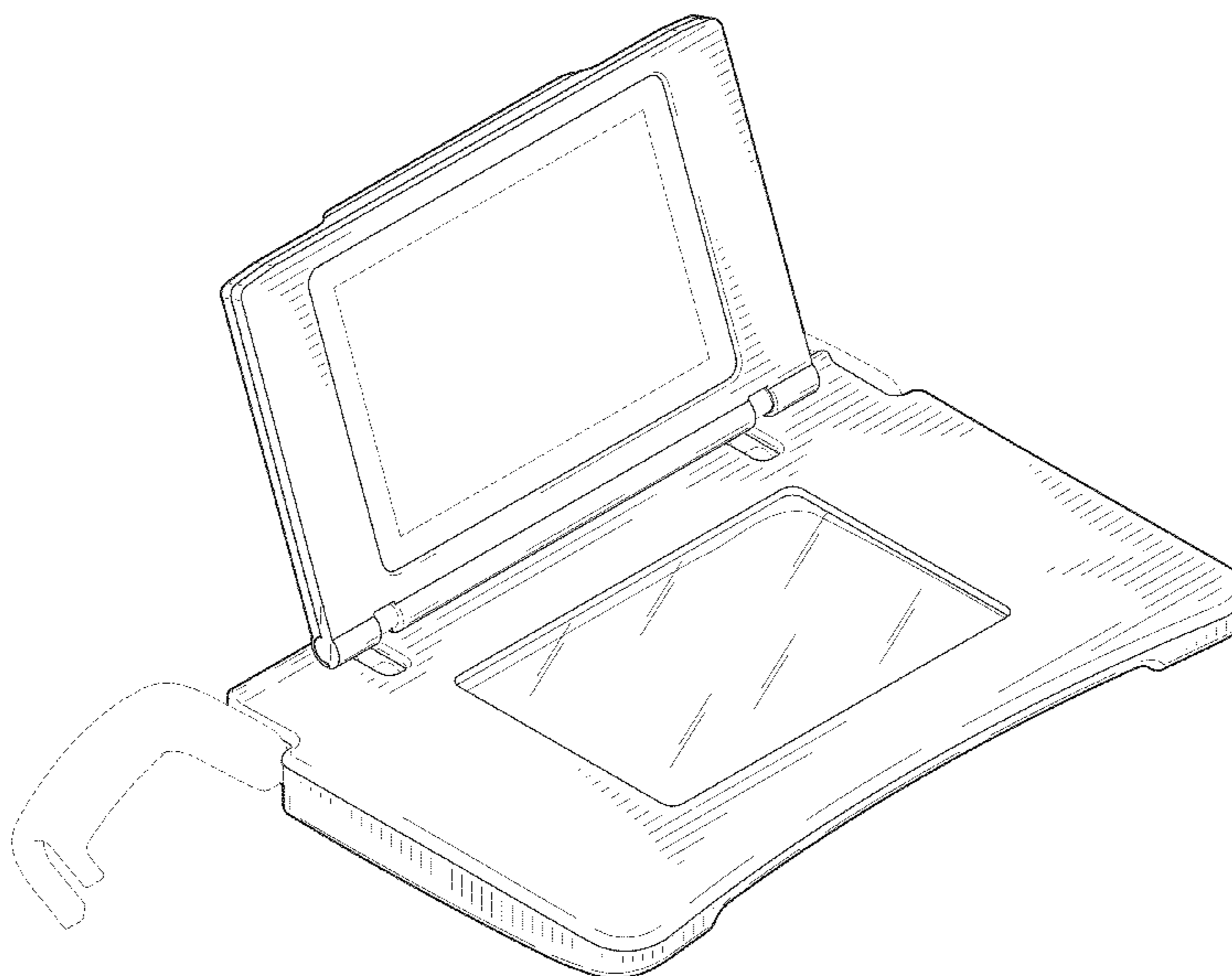
FIG. 5 is a right side elevational view thereof.

FIG. 6 is a rear elevational view thereof; and,

FIG. 7 is a bottom plan view thereof.

The broken lines represent portions of the in-flight entertainment unit that form no part of the claim.

**1 Claim, 7 Drawing Sheets**



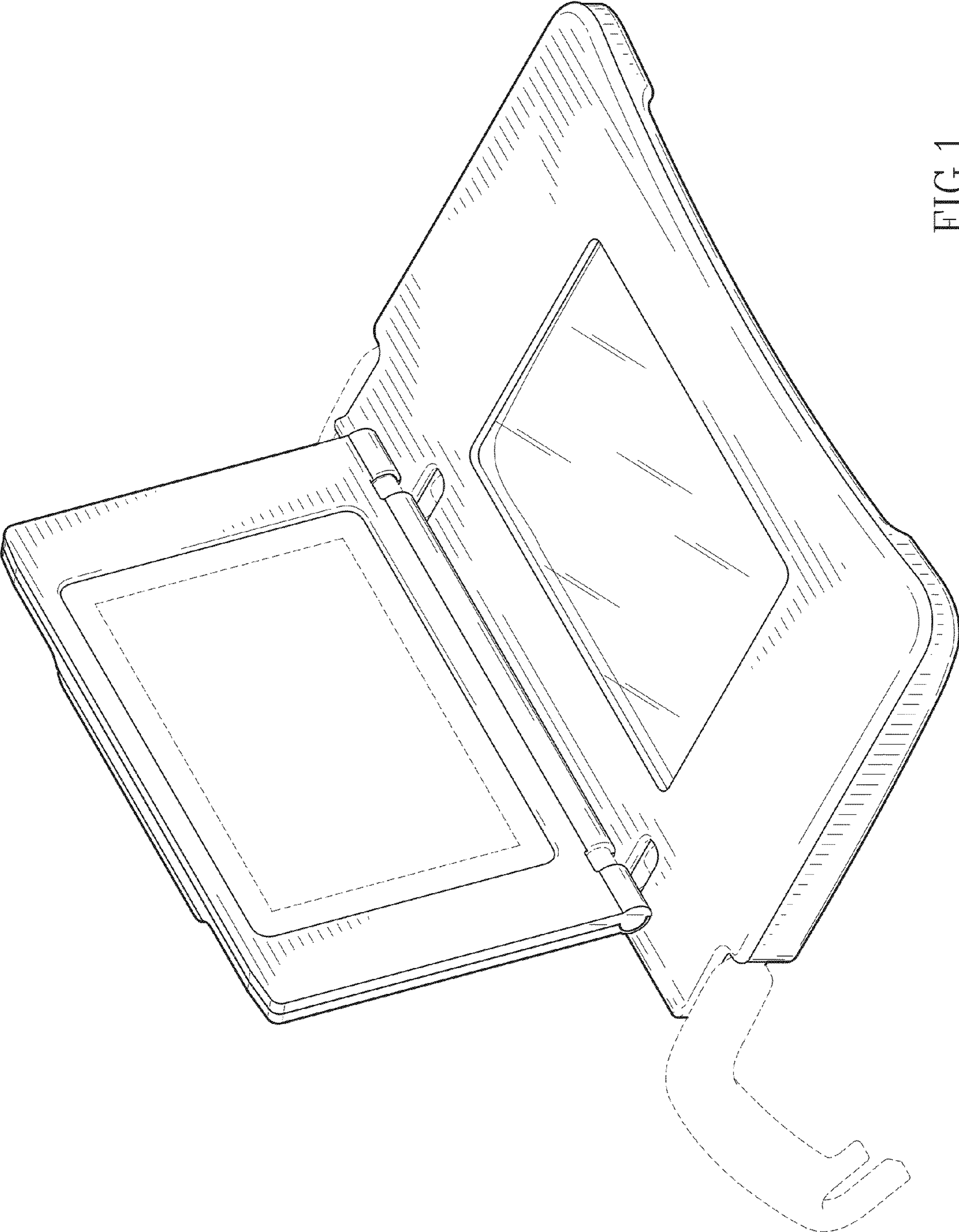


FIG.1

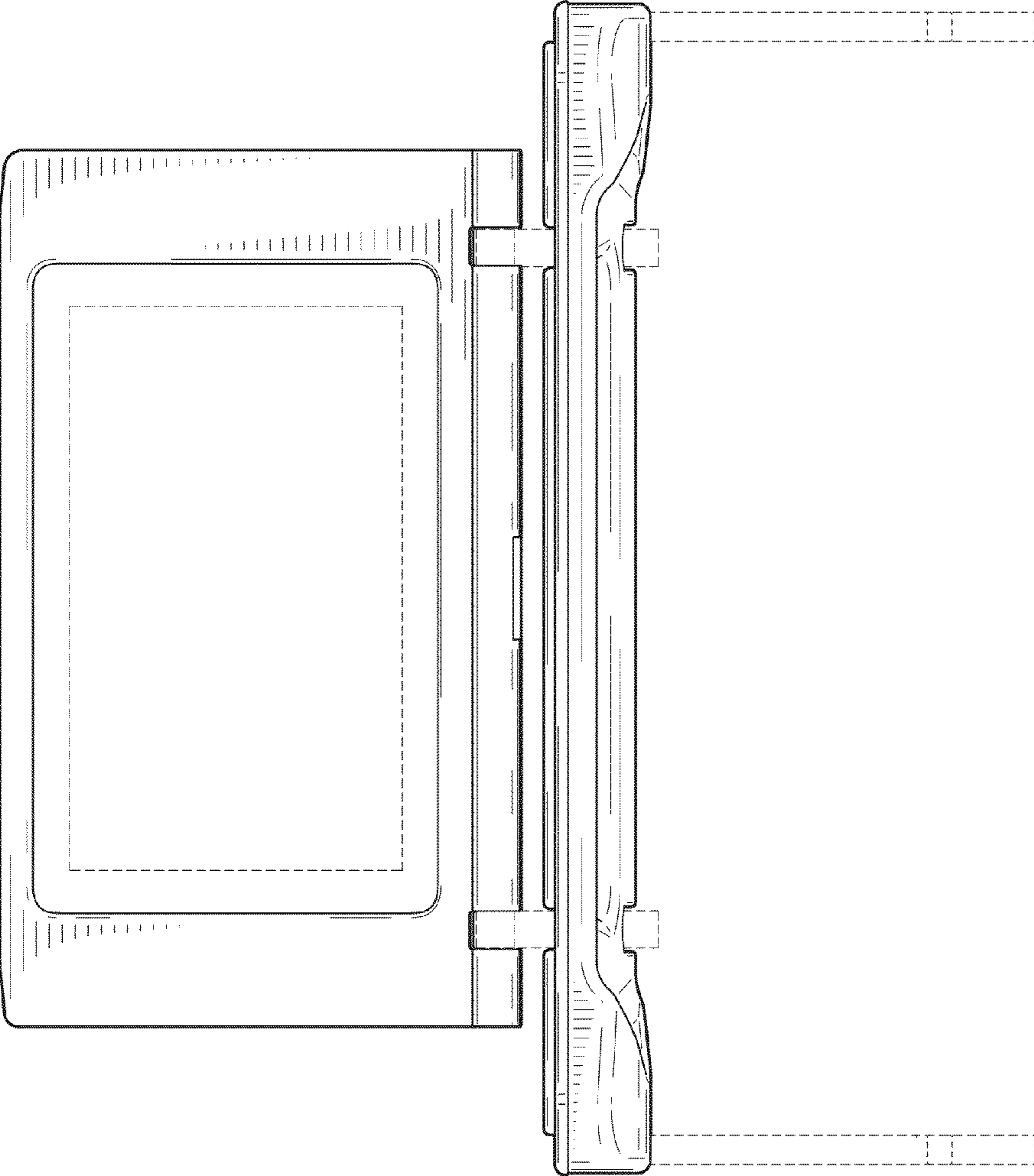


FIG.2

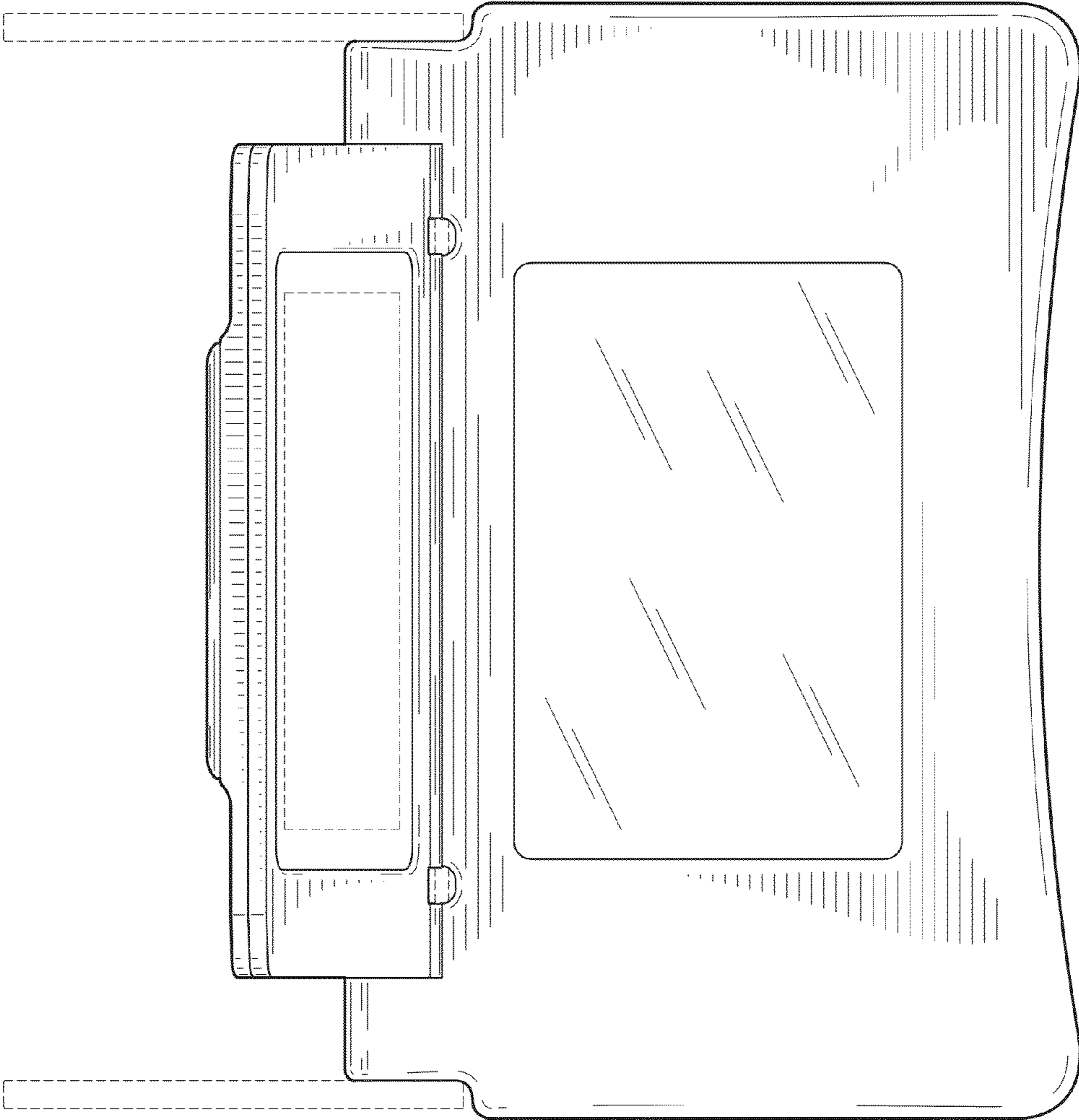


FIG.3

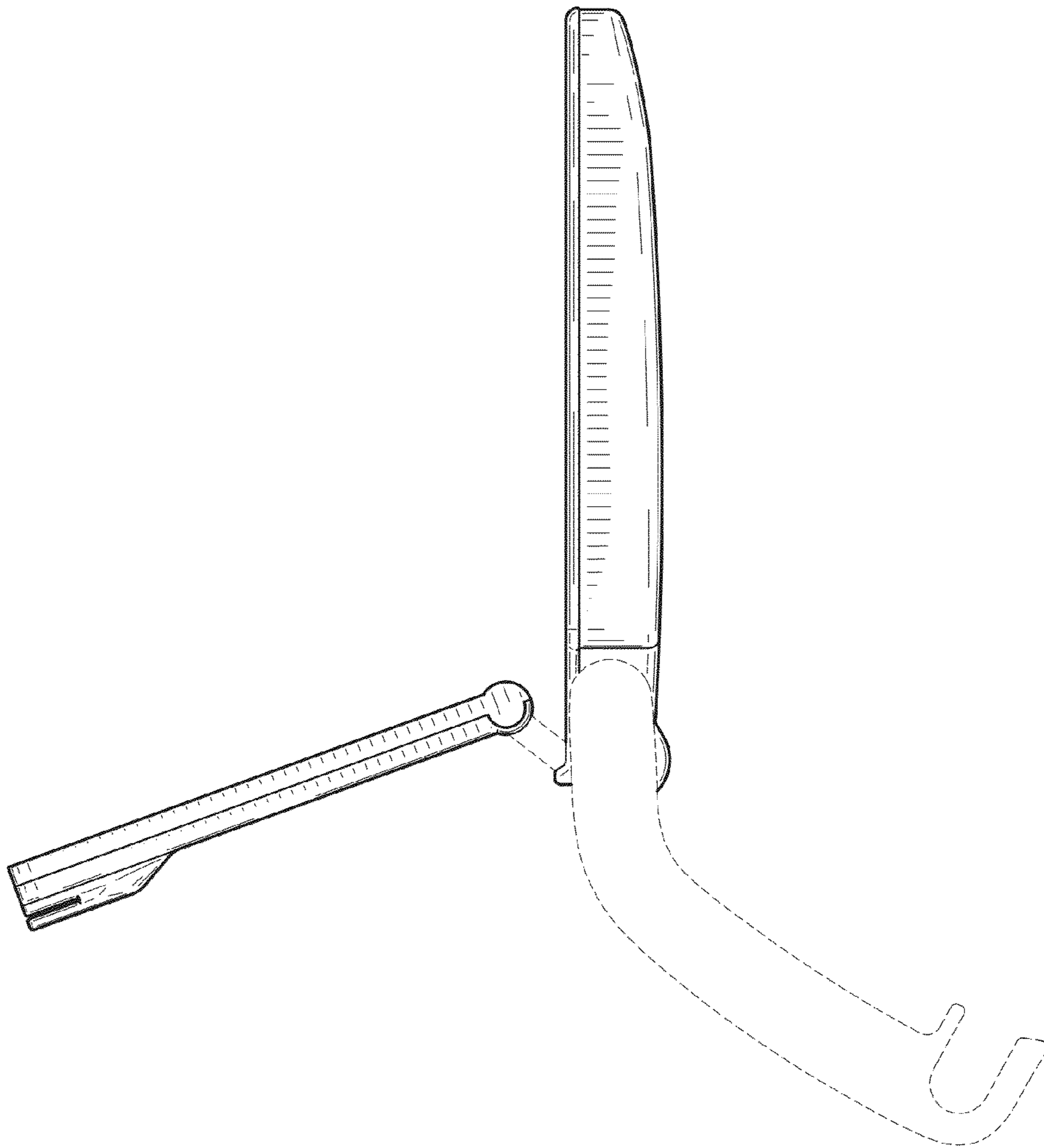


FIG. 4

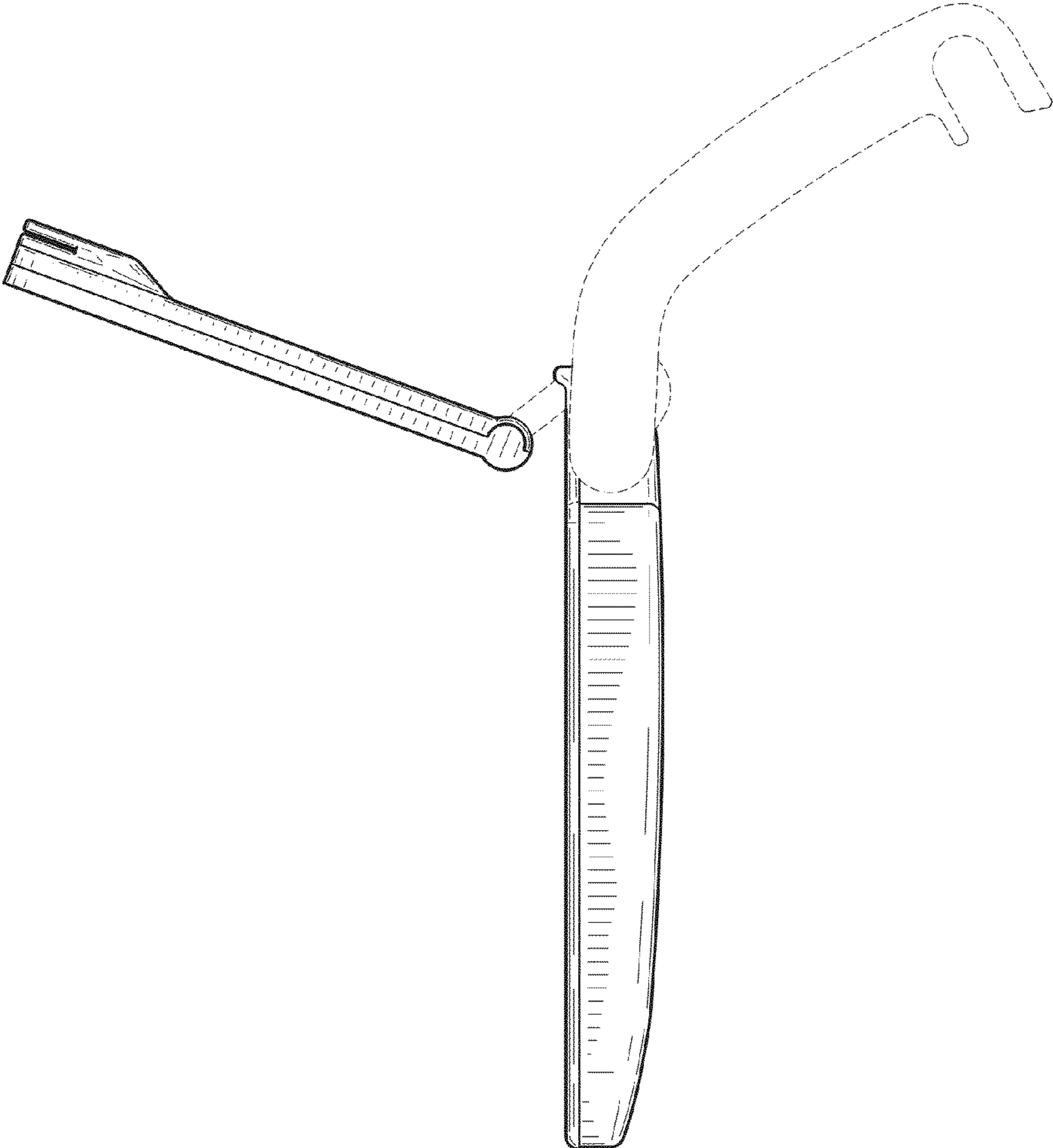


FIG. 5

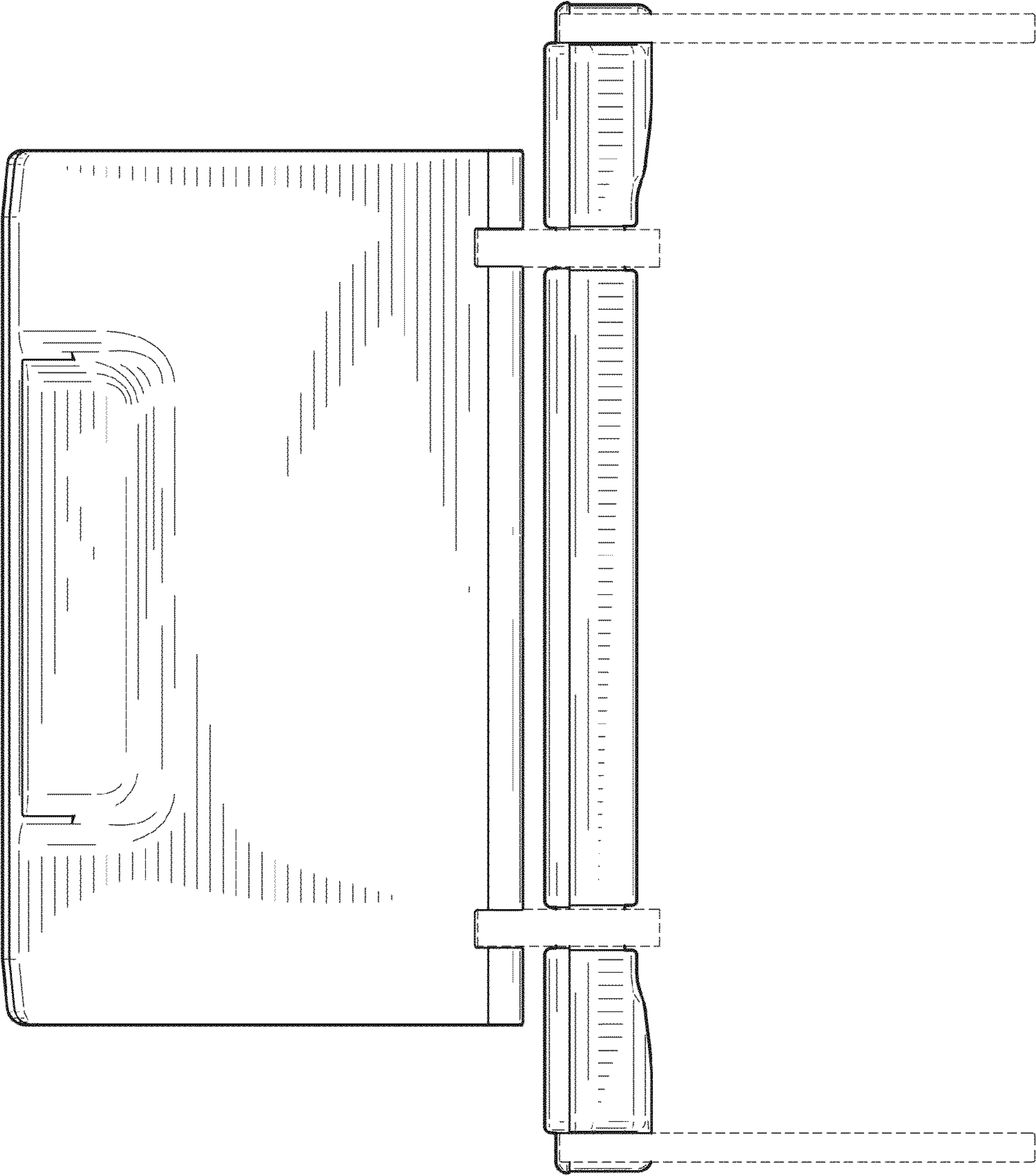


FIG.6

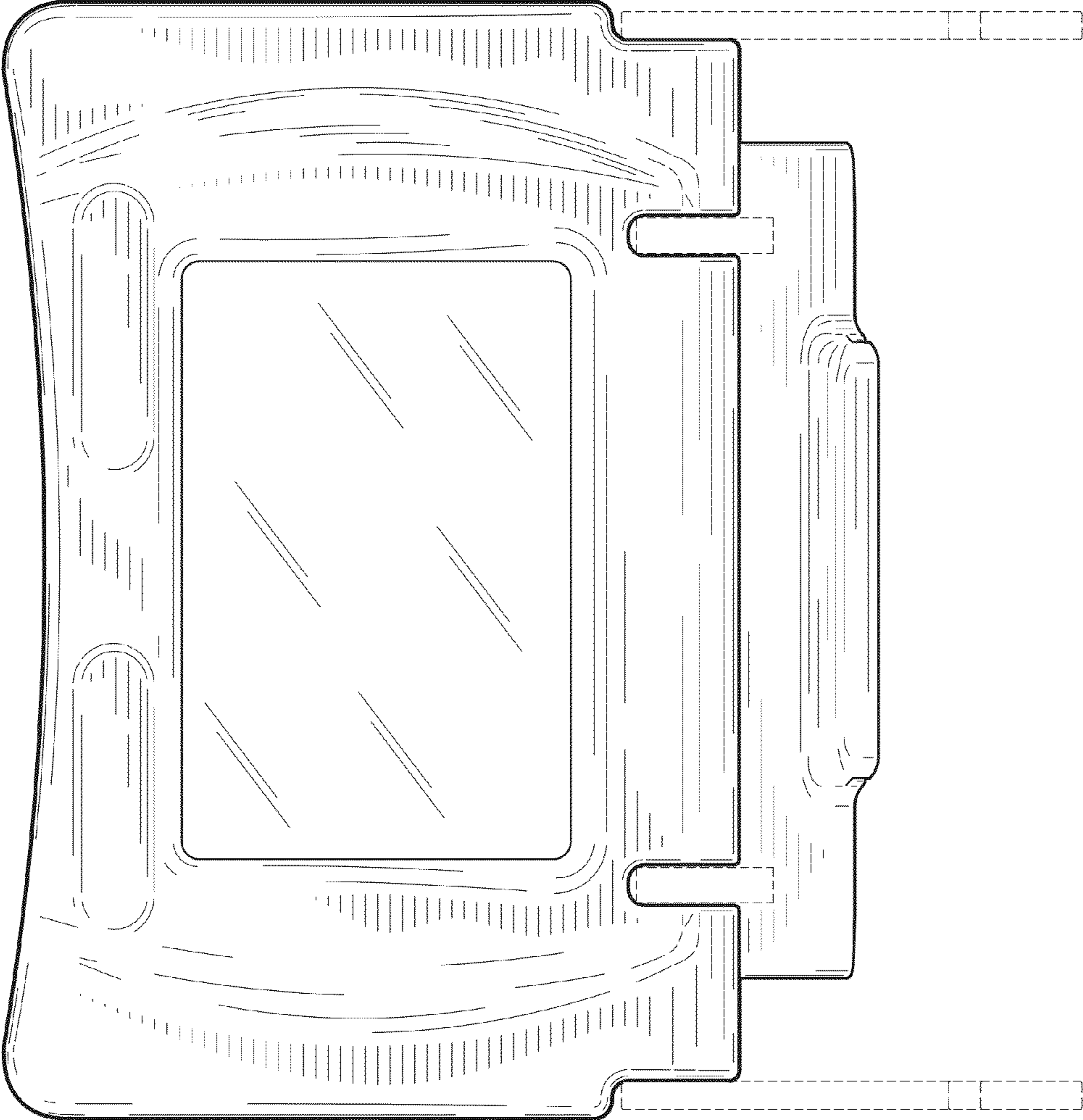


FIG. 7