



US00D714239S

(12) **United States Design Patent**
Kim et al.

(10) **Patent No.:** **US D714,239 S**

(45) **Date of Patent:** **** Sep. 30, 2014**

(54) **TV RECEIVER**

(75) Inventors: **Jae Hyung Kim**, Gwangju Si (KR); **Jun Ho Yang**, Sungnam (KR)

(73) Assignee: **Samsung Electronics Co., Ltd.**, Gyeonggi-do (KR)

(**) Term: **14 Years**

(21) Appl. No.: **29/425,080**

(22) Filed: **Jun. 20, 2012**

(51) **LOC (10) Cl.** **14-03**

(52) **U.S. Cl.**
USPC **D14/126**

(58) **Field of Classification Search**
CPC ... G06F 1/1607; G06F 1/1647; G06F 1/1601;
G06F 2200/1612; G06F 1/1616; G06F 1/1605;
G06F 1/1649; G06F 1/1686; G06F 1/1688;
G03G 15/5016; G09F 9/35; G09F 15/00;
H04N 9/3141; H04N 5/64; H04N 5/645;
F16M 11/10; F16M 2200/08
USPC D14/126, 451, 238, 127, 132, 211;
312/7.2; 348/836, 838, 180, 184, 325,
348/739; 341/12; 248/917-924, 465, 446,
248/157; 345/104, 133, 156, 168, 87, 173;
720/605, 600, 655; 455/347; D16/242;
D6/333, 364, 653.2, 675, 677.3,
D6/708.18; D20/17, 18, 39, 21, 22;
273/148 B; D10/15, 26

See application file for complete search history.

(56) **References Cited**

U.S. PATENT DOCUMENTS

D415,768 S *	10/1999	Howell	D14/451
D588,576 S *	3/2009	Son et al.	D14/211
D607,426 S *	1/2010	Yang	D14/126
7,789,355 B2 *	9/2010	Gan et al.	248/157
D653,636 S *	2/2012	Lee et al.	D14/126
D677,638 S *	3/2013	Kim et al.	D14/126
D682,271 S *	5/2013	Kim et al.	D14/374
D685,806 S *	7/2013	Kim et al.	D14/451
D687,812 S *	8/2013	Lee	D14/211
D699,728 S *	2/2014	Kim et al.	D14/451

* cited by examiner

Primary Examiner — Robert M Spear

Assistant Examiner — Eliza Bennett-Hattan

(74) *Attorney, Agent, or Firm* — Harness, Dickey & Pierce

(57) **CLAIM**

We claim the ornamental design for a TV receiver, as shown.

DESCRIPTION

FIG. 1 is a front/right-side/top perspective view of a TV receiver showing our new design;
FIG. 2 is a front-side elevational view thereof;
FIG. 3 is a rear-side elevational view thereof;
FIG. 4 is a left-side elevational view thereof;
FIG. 5 is a right-side elevational view thereof;
FIG. 6 is a top-side elevational view thereof;
FIG. 7 is a bottom-side elevational view thereof; and,
FIG. 8 is a referenced view thereof.

The broken lines in the drawing depict environmental subject matter only and form no part of the claimed design.

1 Claim, 7 Drawing Sheets

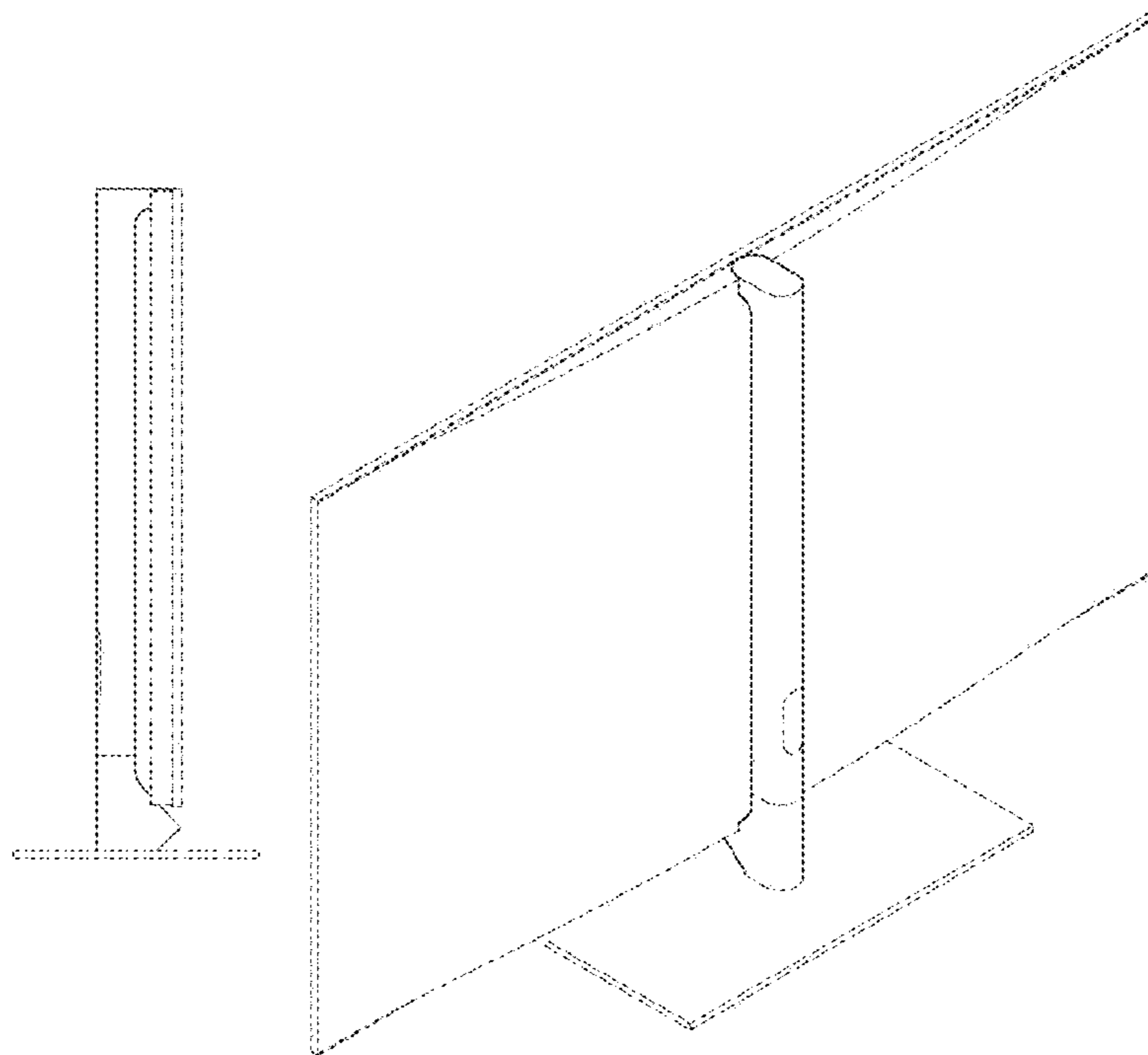


FIG. 1

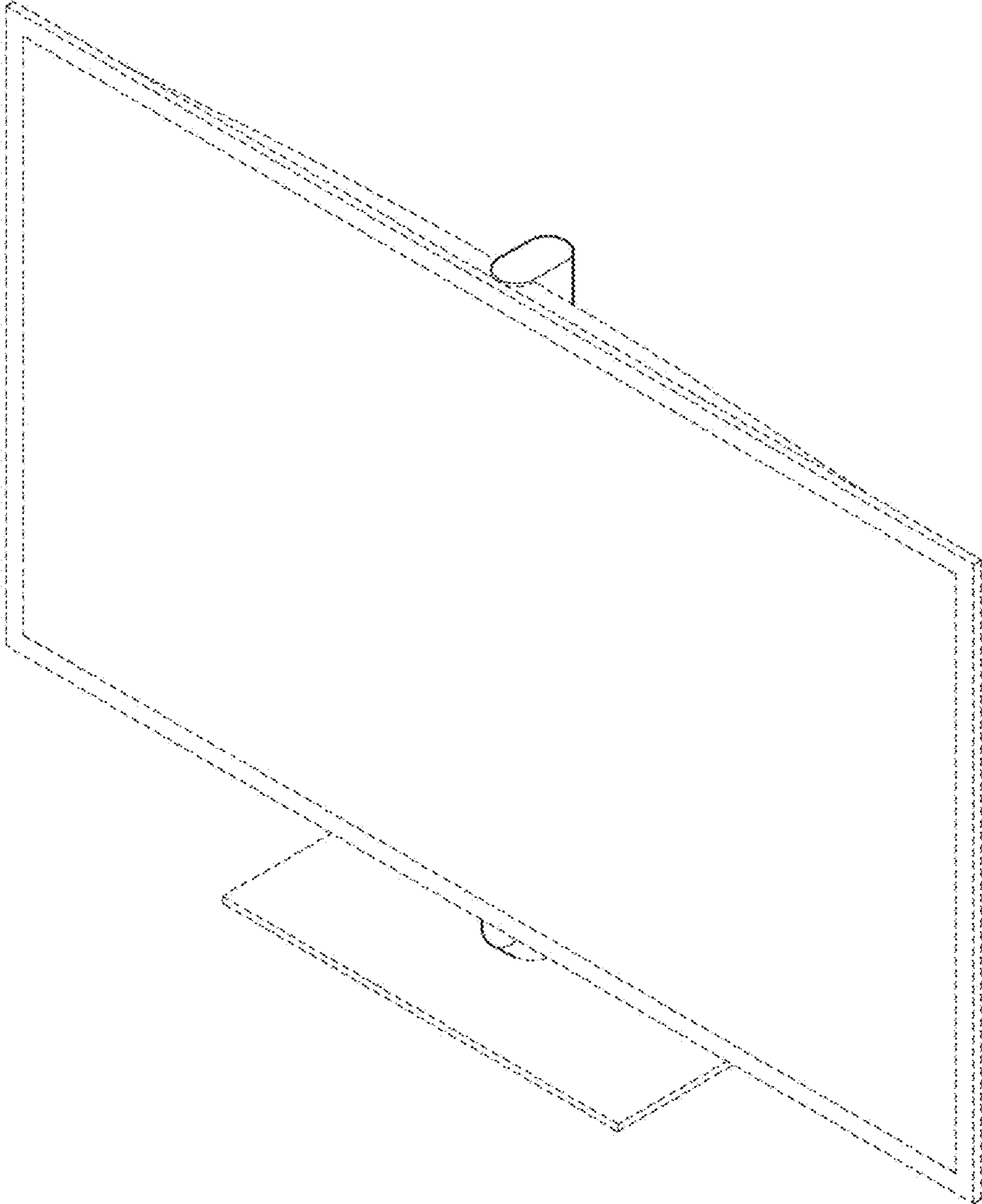


FIG. 2

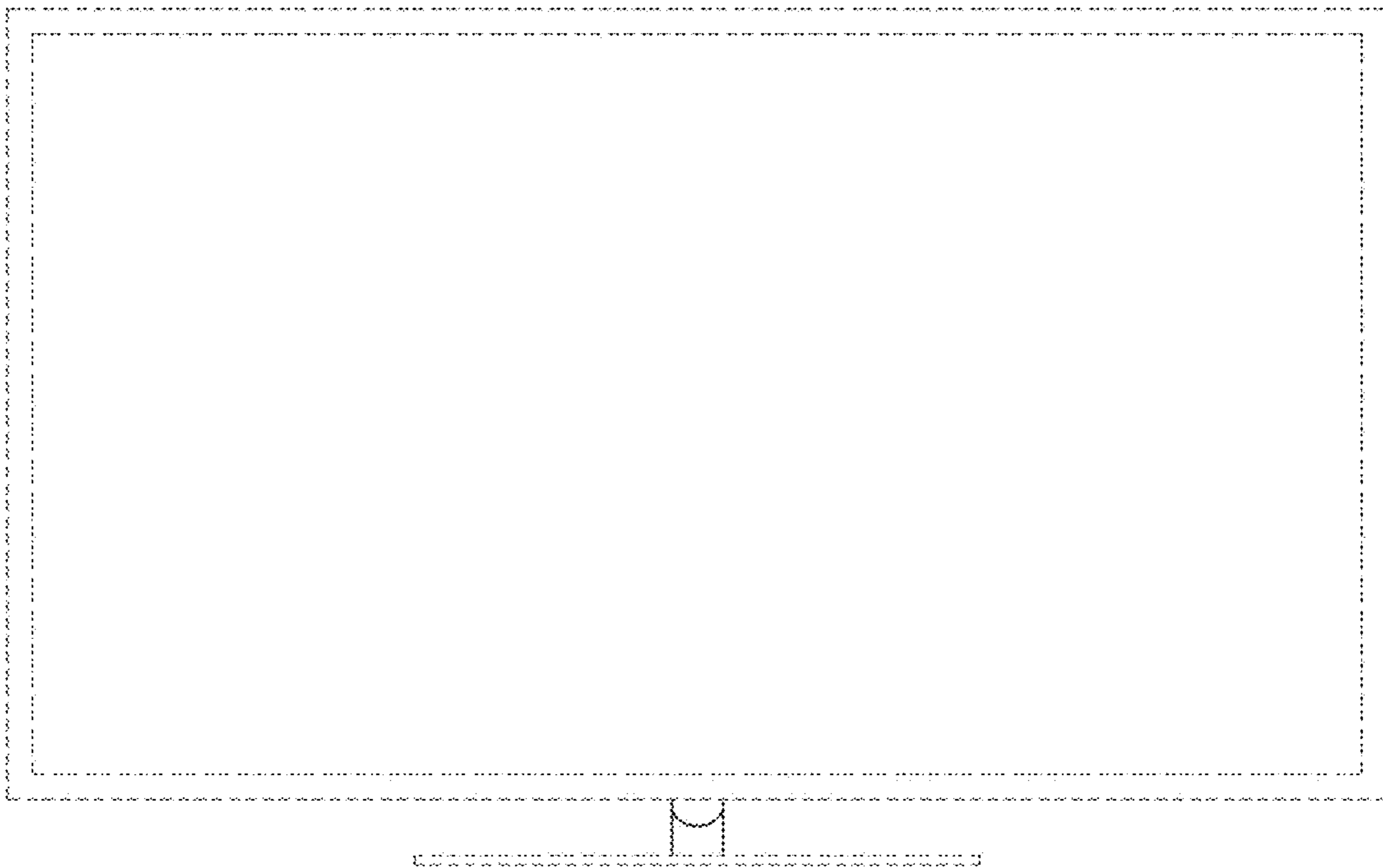


FIG. 3

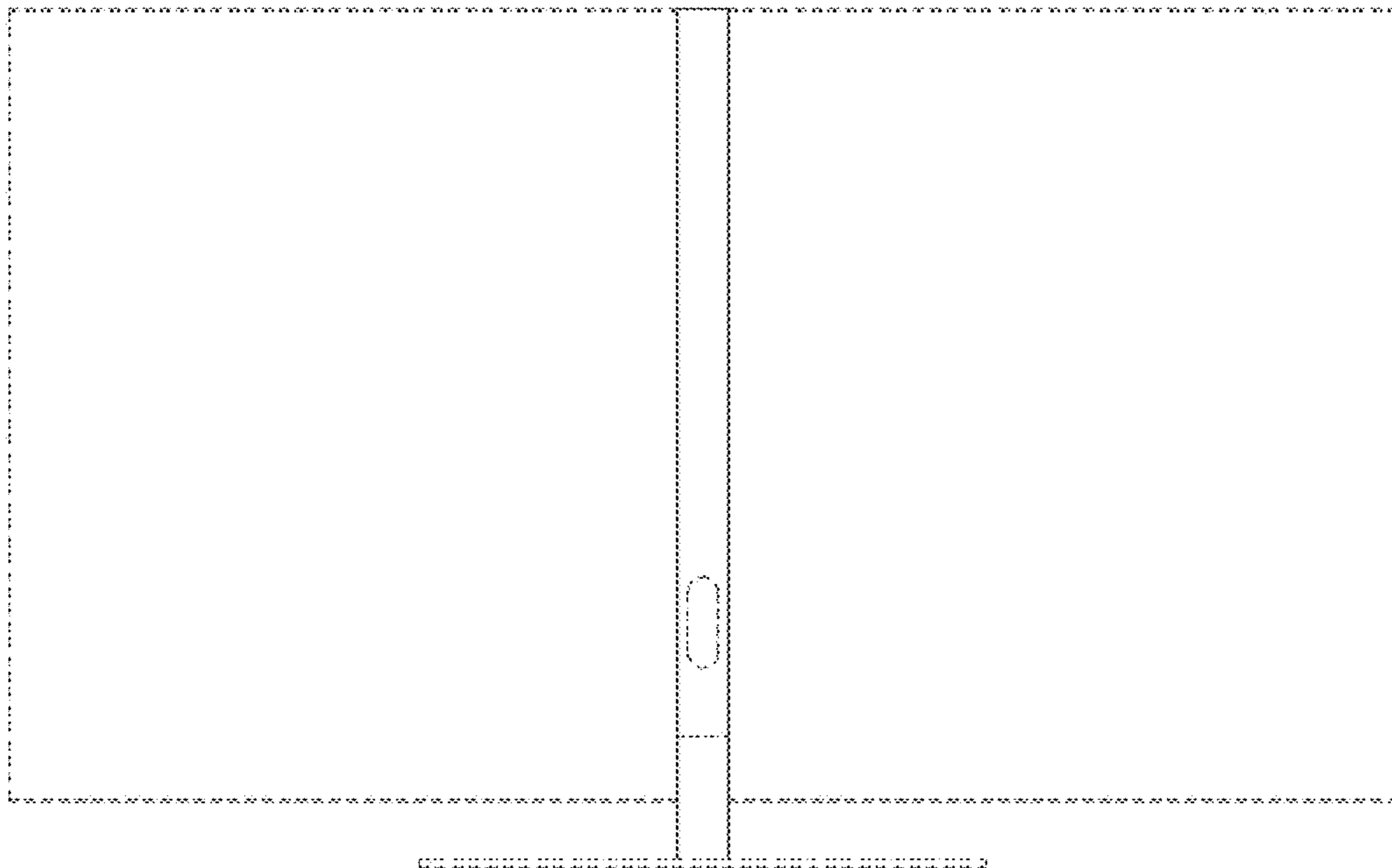


FIG. 4

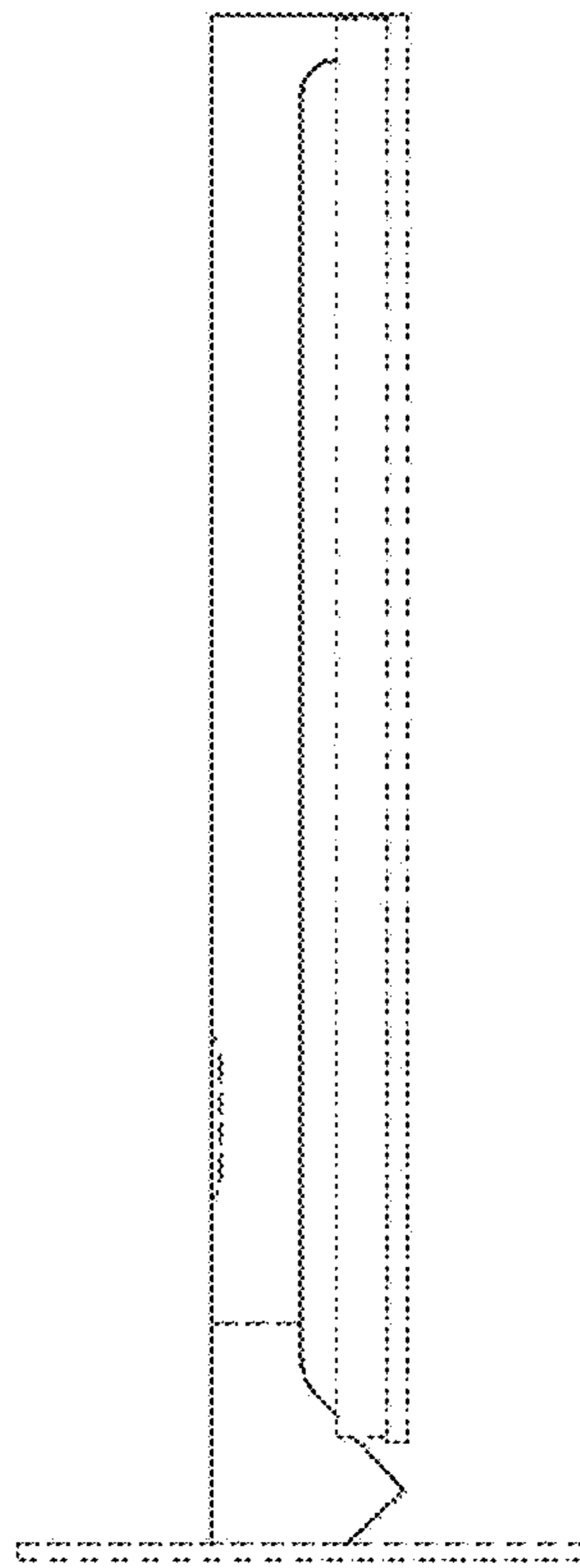


FIG. 5

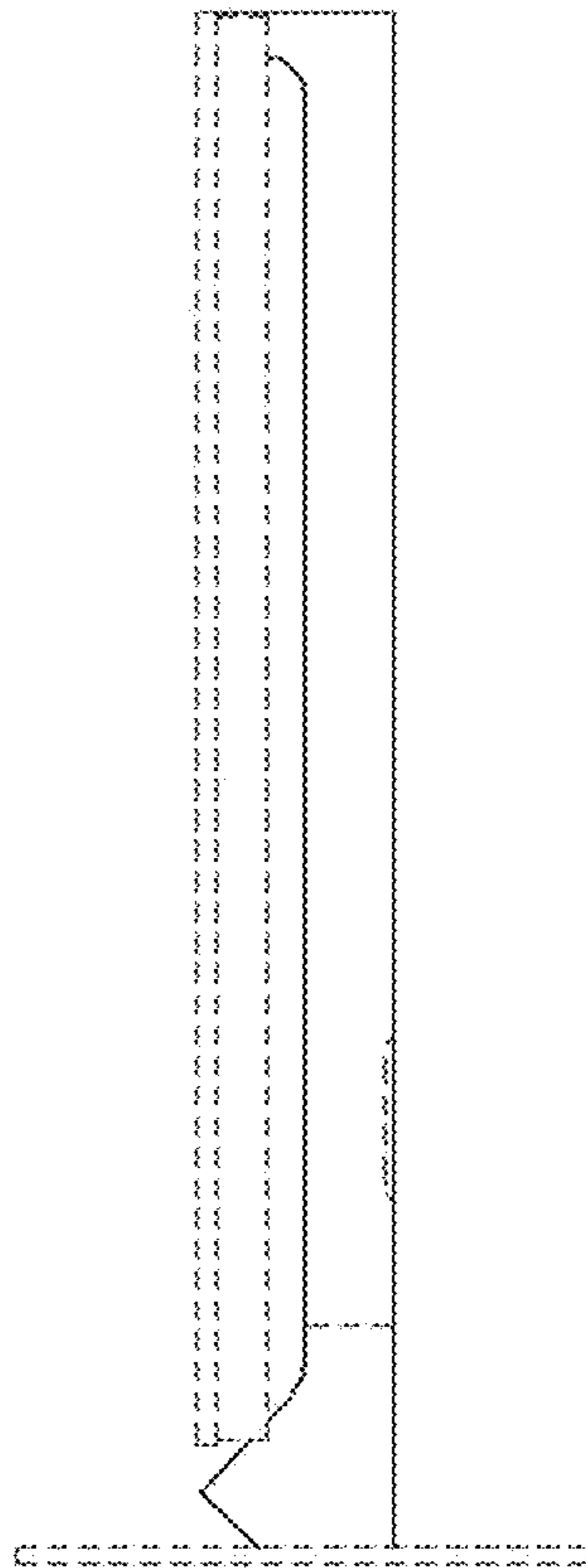


FIG. 6

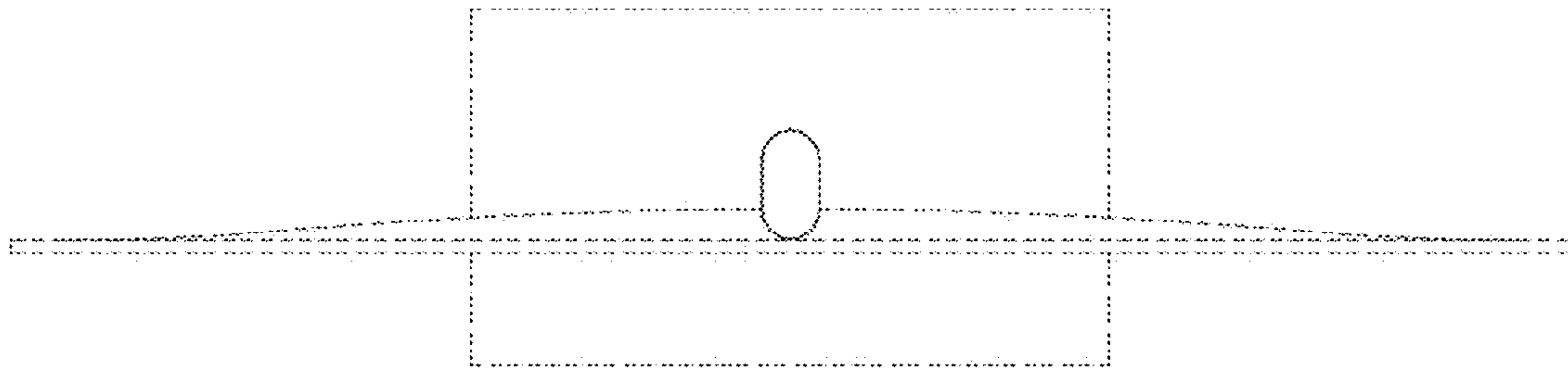


FIG. 7



FIG. 8

