



US00D714238S

(12) **United States Design Patent**
Kim

(10) **Patent No.:** **US D714,238 S**

(45) **Date of Patent:** **** Sep. 30, 2014**

(54) **TV RECEIVER**

(75) Inventor: **Jae Hyung Kim**, Gwangju Si (KR)

(73) Assignee: **Samsung Electronics Co., Ltd.**,
Gyeonggi-do (KR)

(**) Term: **14 Years**

(21) Appl. No.: **29/423,274**

(22) Filed: **May 30, 2012**

(51) **LOC (10) Cl.** **14-03**

(52) **U.S. Cl.**
USPC **D14/126**

(58) **Field of Classification Search**
USPC D14/126, 451, 238, 127, 132, 211;
312/7.2; 348/836, 838, 180, 184, 325,
348/739; 341/12; 248/917-924, 465, 446,
248/157; 345/104, 133, 156, 168, 87, 173;
720/605, 600, 655; 455/347; D16/242;
D6/333, 364, 653.2, 675, 677.3,
D6/708.18; D20/17, 18, 39, 21, 22;
D10/15, 26

See application file for complete search history.

(56) **References Cited**

U.S. PATENT DOCUMENTS

D285,456 S * 9/1986 Wiens D20/39
D381,694 S * 7/1997 Morgan D20/22

D603,816 S * 11/2009 Kim et al. D14/126
D626,101 S * 10/2010 Kim et al. D14/126
D639,256 S * 6/2011 Lee et al. D14/126
D646,246 S * 10/2011 Kim et al. D14/126
D649,947 S * 12/2011 Won et al. D14/126
D669,047 S * 10/2012 Asanuma et al. D14/126
D671,083 S * 11/2012 Kim et al. D14/126
D682,797 S * 5/2013 Lee et al. D14/126
D694,206 S * 11/2013 Seo et al. D14/126

* cited by examiner

Primary Examiner — Robert M Spear

Assistant Examiner — Eliza Bennett-Hattan

(74) *Attorney, Agent, or Firm* — Harness, Dickey & Pierce,
P.L.C.

(57) **CLAIM**

I claim the ornamental design for a TV receiver, as shown.

DESCRIPTION

FIG. 1 is a front/right-side/top perspective view of a TV receiver showing our new design;
FIG. 2 is a front-side elevational view thereof;
FIG. 3 is a rear-side elevational view thereof;
FIG. 4 is a left-side elevational view thereof;
FIG. 5 is a right-side elevational view thereof;
FIG. 6 is a top-side elevational view thereof;
FIG. 7 is a bottom-side elevational view thereof; and,
FIG. 8 is a rear perspective view thereof.

1 Claim, 7 Drawing Sheets

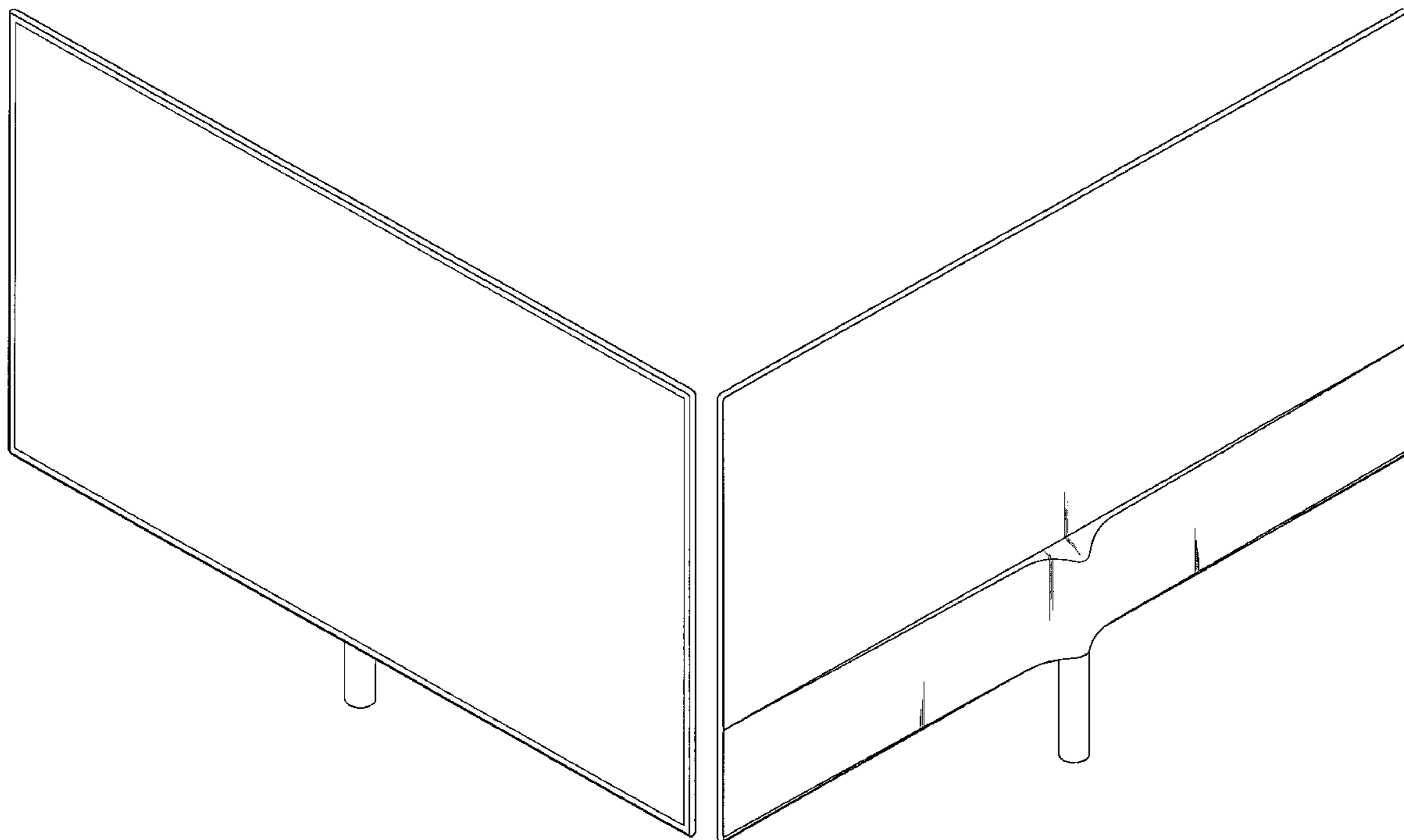


FIG. 1

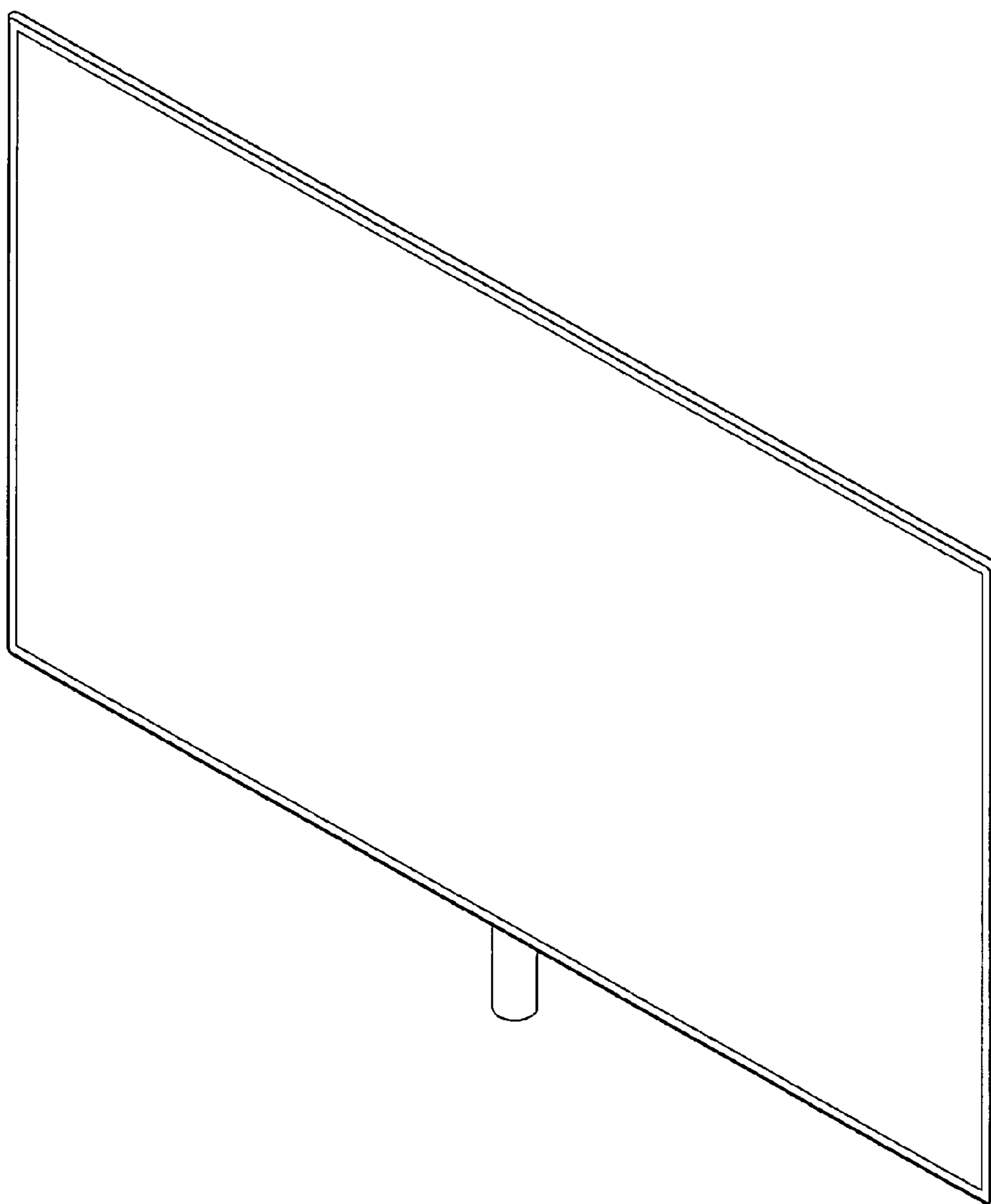


FIG. 2

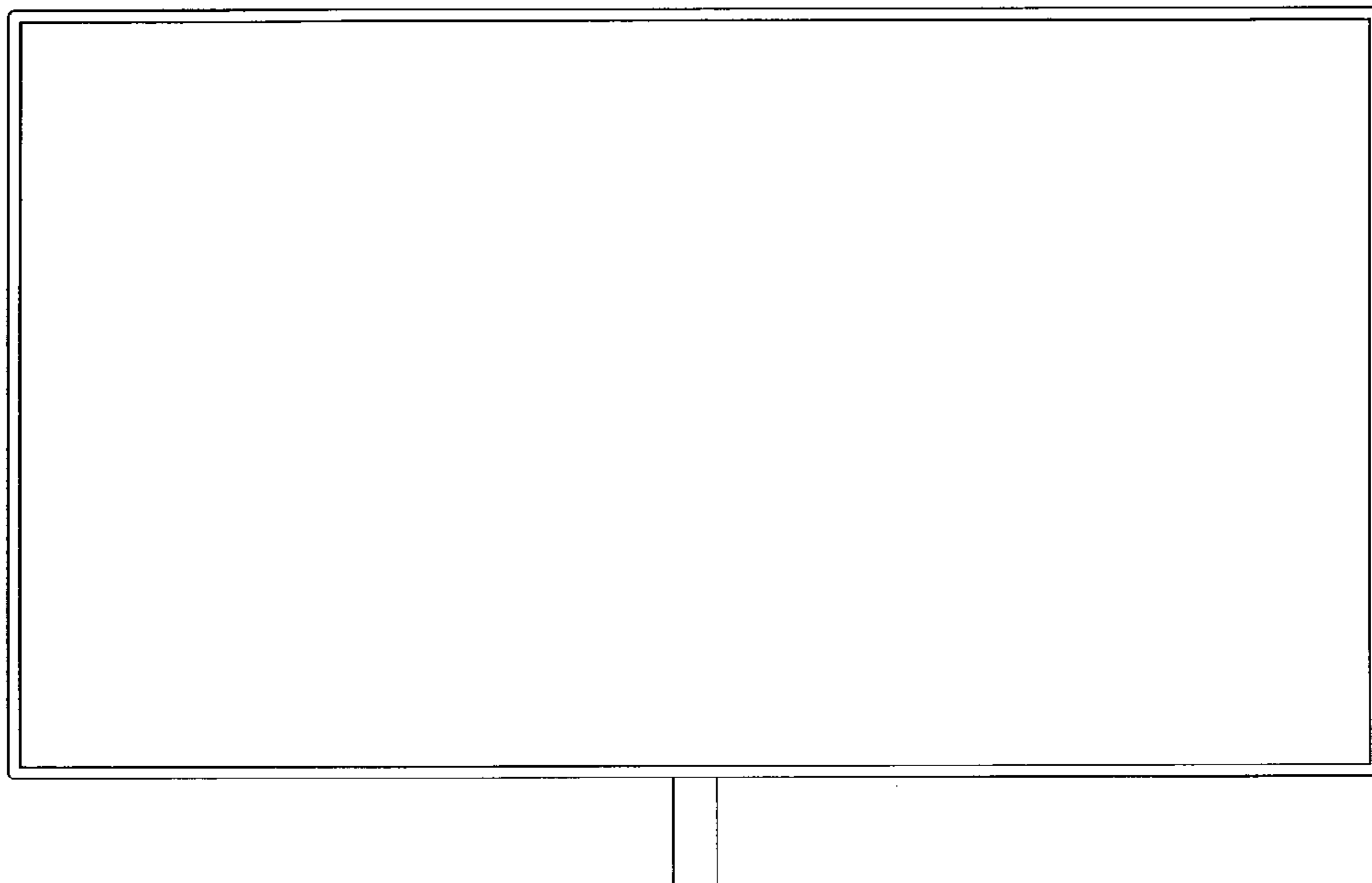


FIG. 3

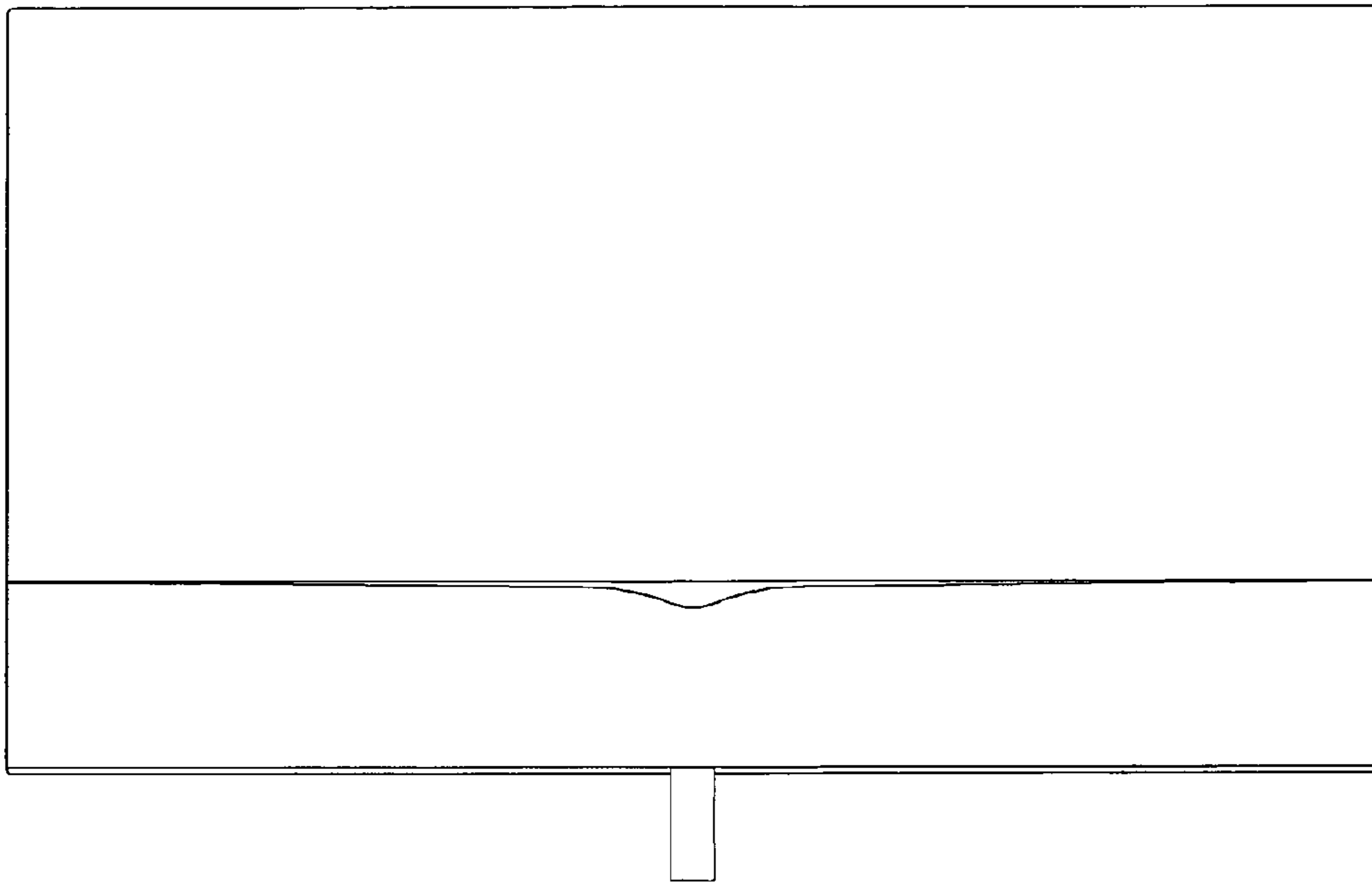


FIG. 4

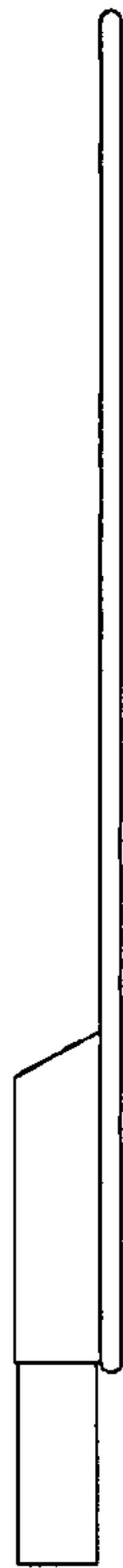


FIG. 5

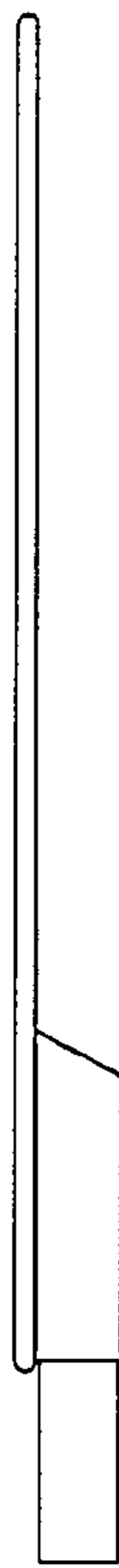


FIG. 6



FIG. 7

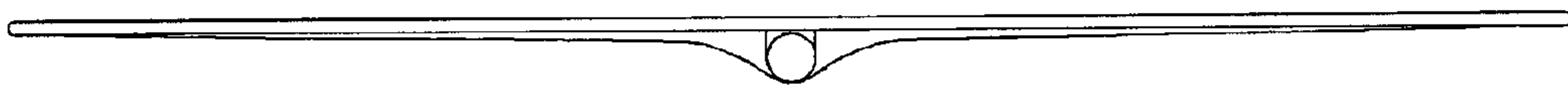


FIG. 8

