

US00D714236S

(12) **United States Design Patent**
Watanabe et al.

(10) **Patent No.:** **US D714,236 S**

(45) **Date of Patent:** **** Sep. 30, 2014**

(54) **LIGHT-EMITTING DIODE**

(71) Applicants: **Citizen Electronics Co., Ltd.**,
Yamanashi-ken (JP); **Citizen Holdings**
Co., Ltd., Nishi-Tokyo (JP)

(72) Inventors: **Shigehisa Watanabe**, Yamanashi-Ken
(JP); **Hidekazu Arai**, Yamanashi-ken
(JP)

(73) Assignees: **Citizen Electronics Co., Ltd.**,
Yamanashi-ken (JP); **Citizen Holdings**
Co., Ltd., Tokyo (JP)

(**) Term: **14 Years**

(21) Appl. No.: **29/443,847**

(22) Filed: **Jan. 23, 2013**

(30) **Foreign Application Priority Data**

Jul. 24, 2012 (JP) 2012-017503
Jul. 24, 2012 (JP) 2012-017507
Jul. 24, 2012 (JP) 2012-017508

(51) **LOC (10) Cl.** **13-03**

(52) **U.S. Cl.**
USPC **D13/180**

(58) **Field of Classification Search**
CPC ... H01L 25/167; H01L 25/0753; H01L 27/15;
H01L 27/156; H01L 31/02; H01L 33/00;
H01L 33/04; H01L 33/08; H01L 33/10;
H01L 33/20; H01L 33/38; H01L 33/42;
H01L 33/4862; H01L 33/483; H01L 33/486
USPC D13/180; D26/1; 257/79, 80, 81, 88,
257/89, 95, 98, 99, 100, E33.058; 313/483,
313/498, 500; 362/555, 800

See application file for complete search history.

(56) **References Cited**

U.S. PATENT DOCUMENTS

D573,553	S	*	7/2008	Uemoto et al.	D13/180
D607,420	S	*	1/2010	Imai et al.	D13/180
D618,635	S	*	6/2010	Imai et al.	D13/180
D645,417	S	*	9/2011	Imai et al.	D13/180
D647,492	S	*	10/2011	Imai et al.	D13/180
D669,041	S	*	10/2012	Imai et al.	D13/180
D681,564	S	*	5/2013	Hsu et al.	D13/180
D683,708	S	*	6/2013	Sasano et al.	D13/180
D689,451	S	*	9/2013	Shimonishi et al.	D13/180
D698,322	S	*	1/2014	Takeda et al.	D13/180

* cited by examiner

Primary Examiner — Selina Sikder

(74) *Attorney, Agent, or Firm* — Browdy and Neimark,
PLLC

(57) **CLAIM**

The ornamental design for a light-emitting diode, as shown
and described.

DESCRIPTION

FIG. 1 is a top perspective view of a first embodiment of a
light-emitting diode showing our new design;
FIG. 2 is a bottom perspective view thereof;
FIG. 3 is a front view thereof, a rear view opposite the front
view being identical to FIG. 3;
FIG. 4 is a top plan view thereof;
FIG. 5 is a bottom plan view thereof;
FIG. 6 is a left side view thereof, a right side view opposite the
left side view being identical to FIG. 6;
FIG. 7 is a top perspective view of a second embodiment of a
light-emitting diode showing our new design;
FIG. 8 is a bottom perspective view thereof;
FIG. 9 is a front view thereof, a rear view opposite the front
view being identical to FIG. 9;
FIG. 10 is a top plan view thereof;
FIG. 11 is a bottom plan view thereof; and,
FIG. 12 is a left side view thereof, a right side view opposite
the left side view being identical to FIG. 12.

1 Claim, 6 Drawing Sheets

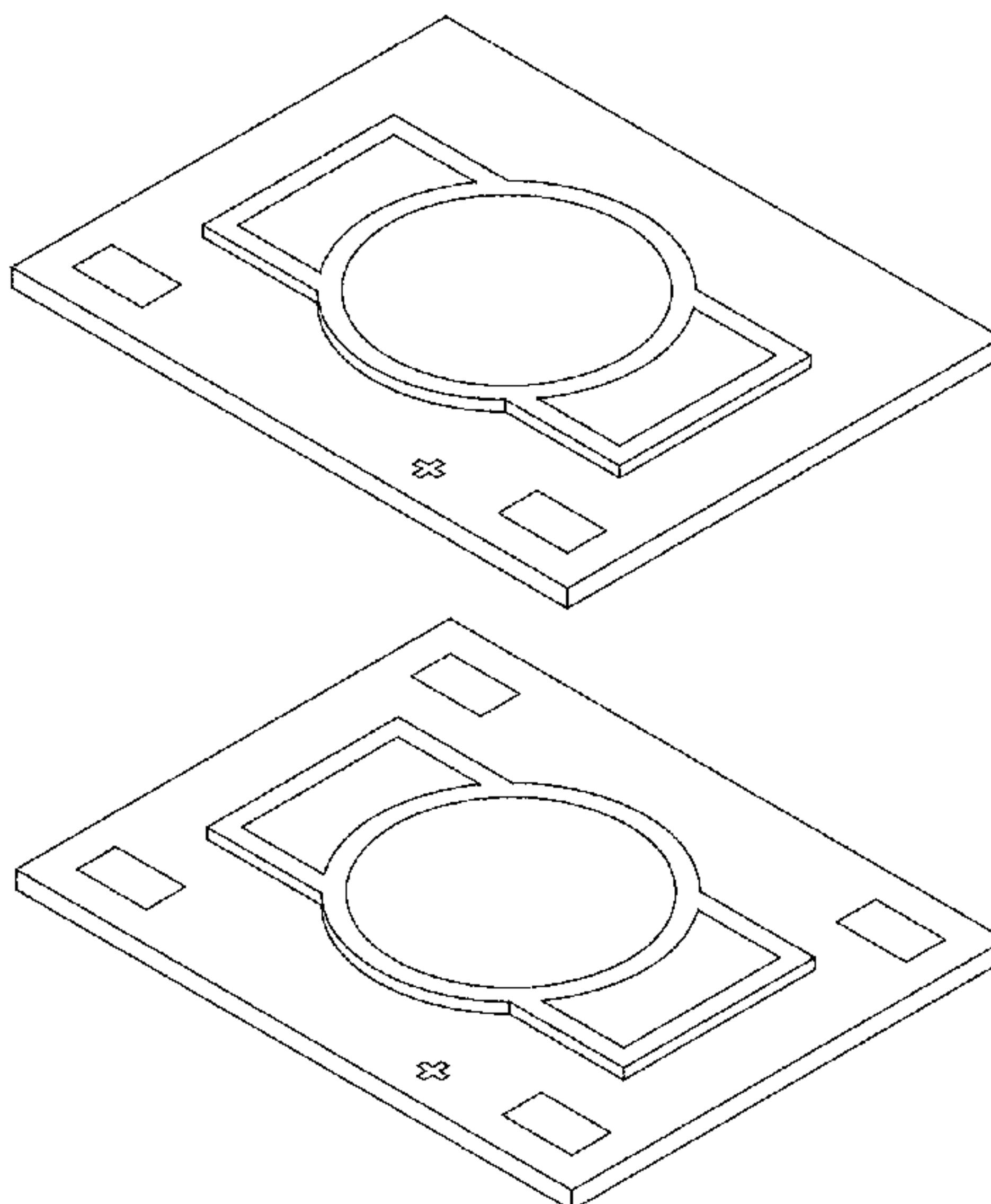


Fig. 1

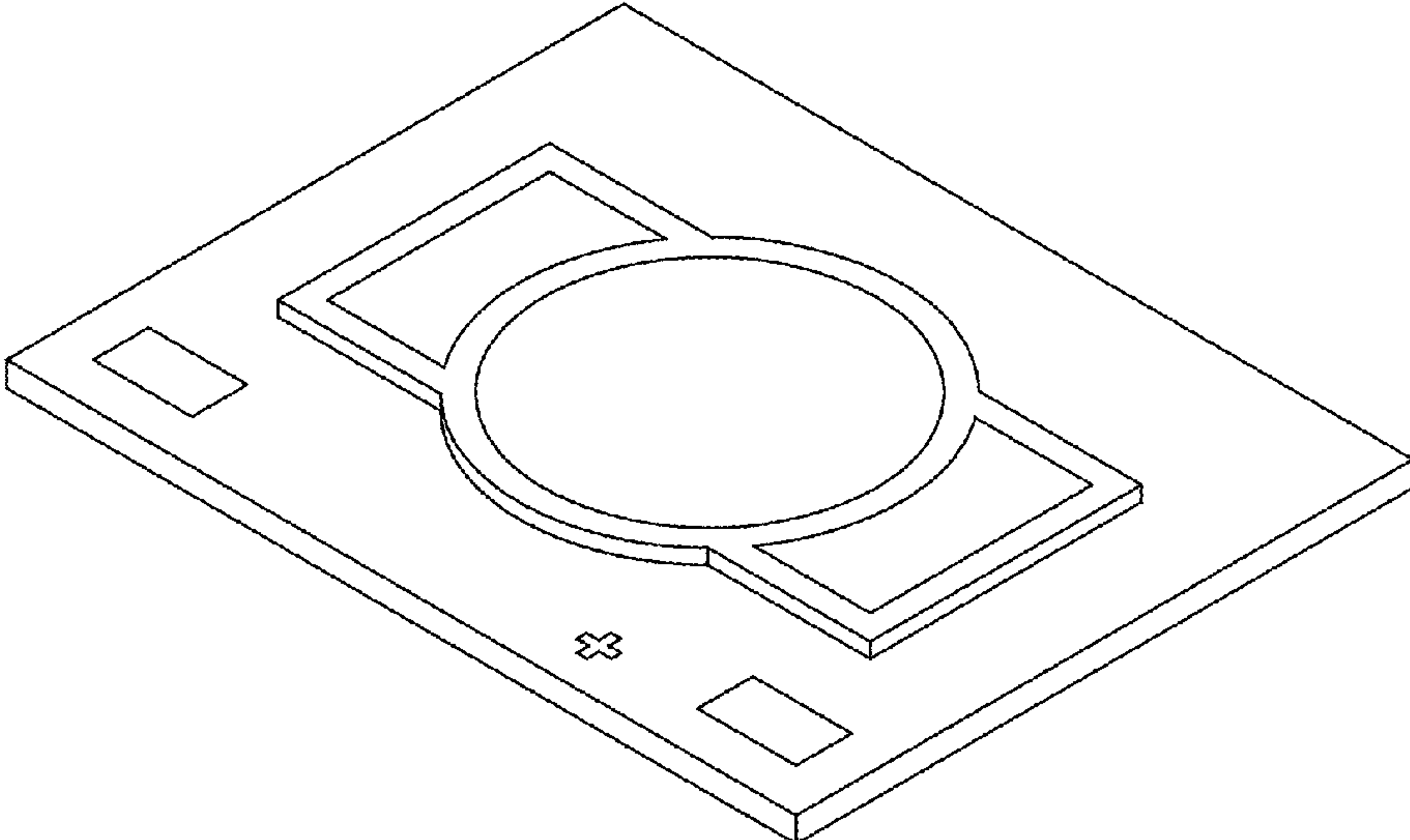


Fig. 2

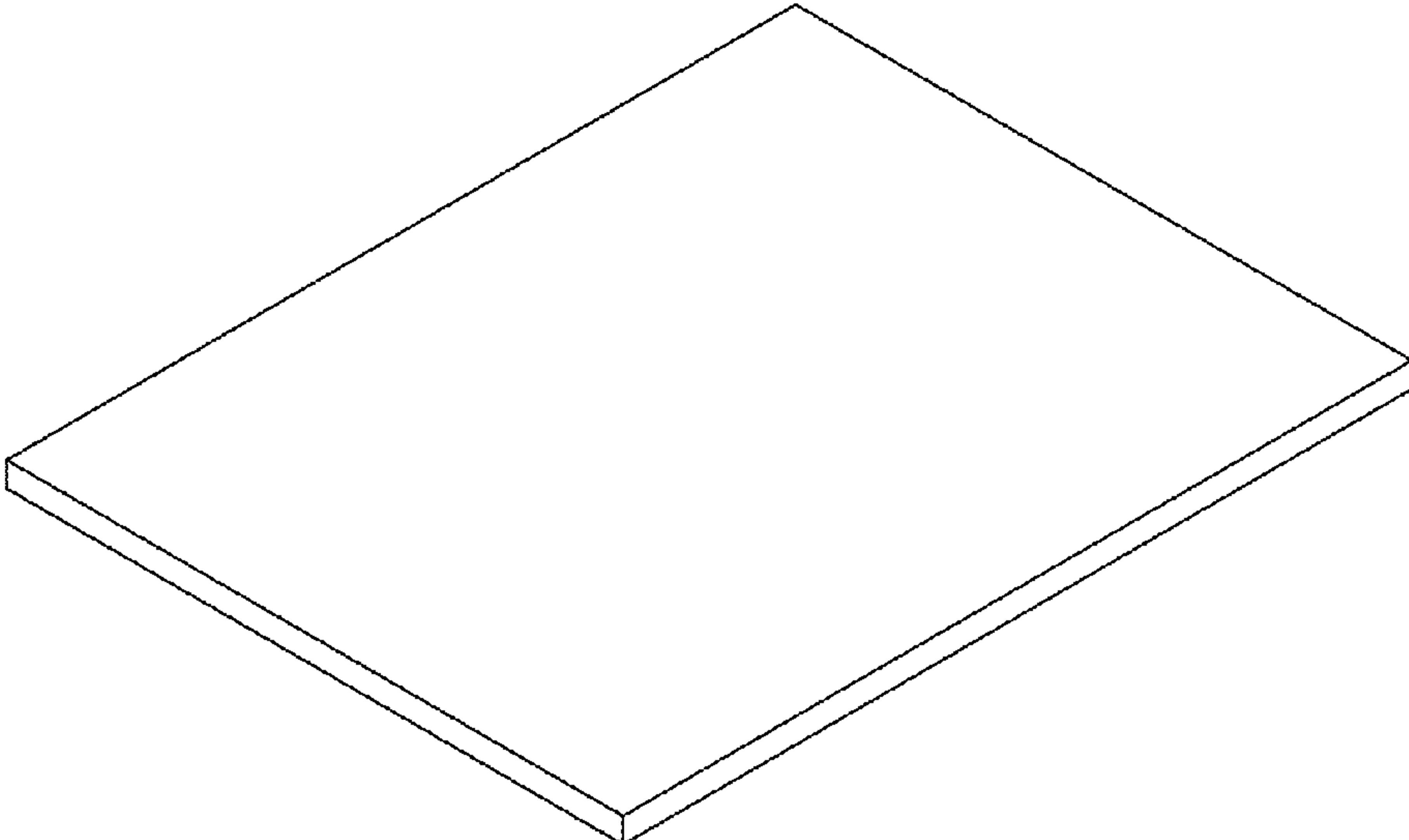


Fig. 3

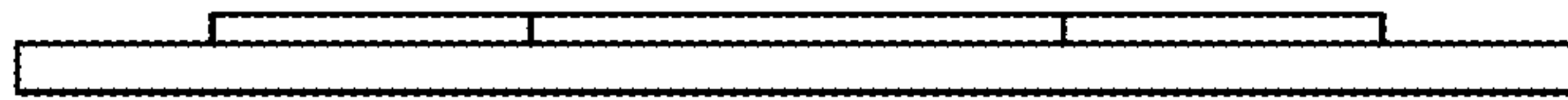


Fig. 4

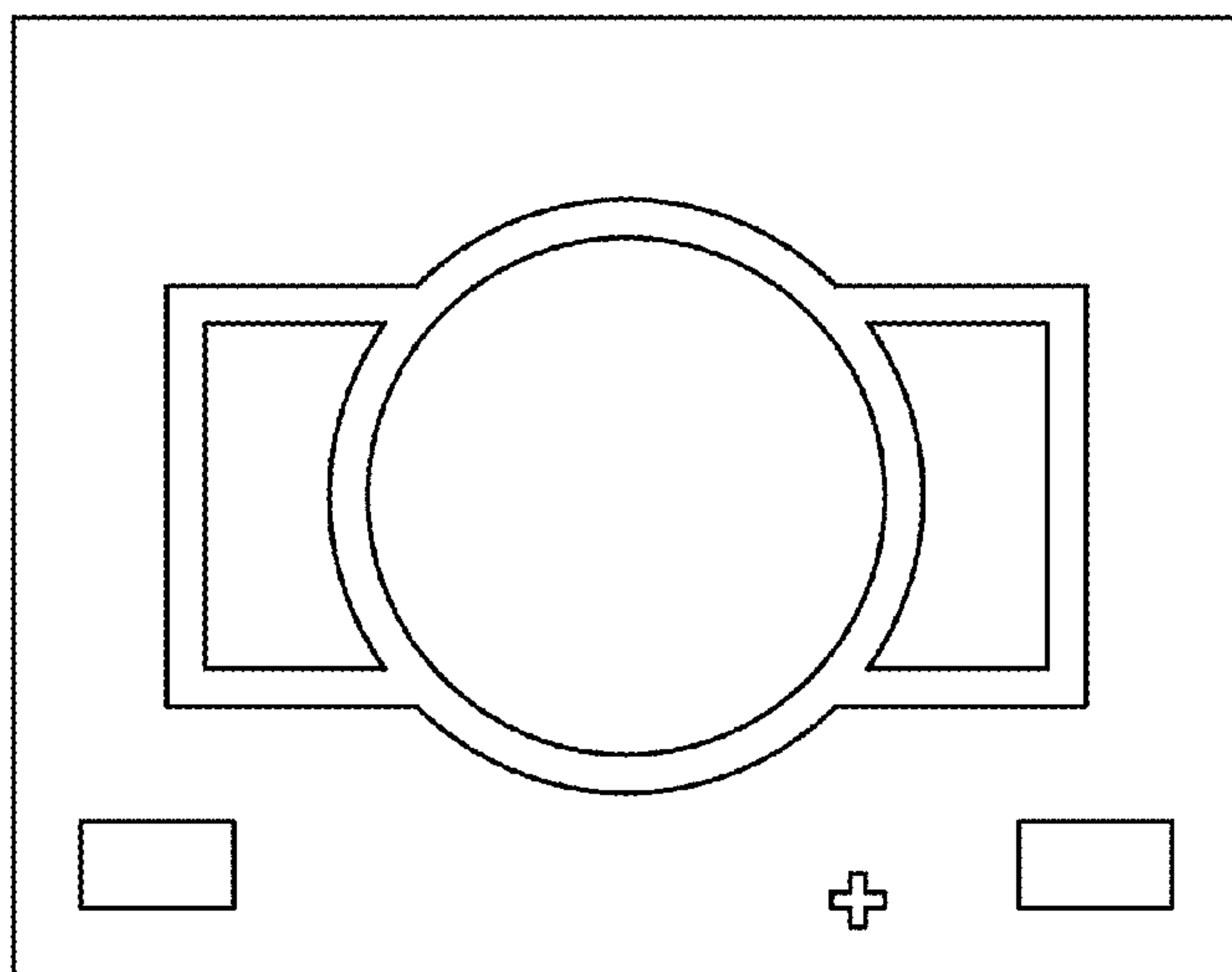


Fig. 5

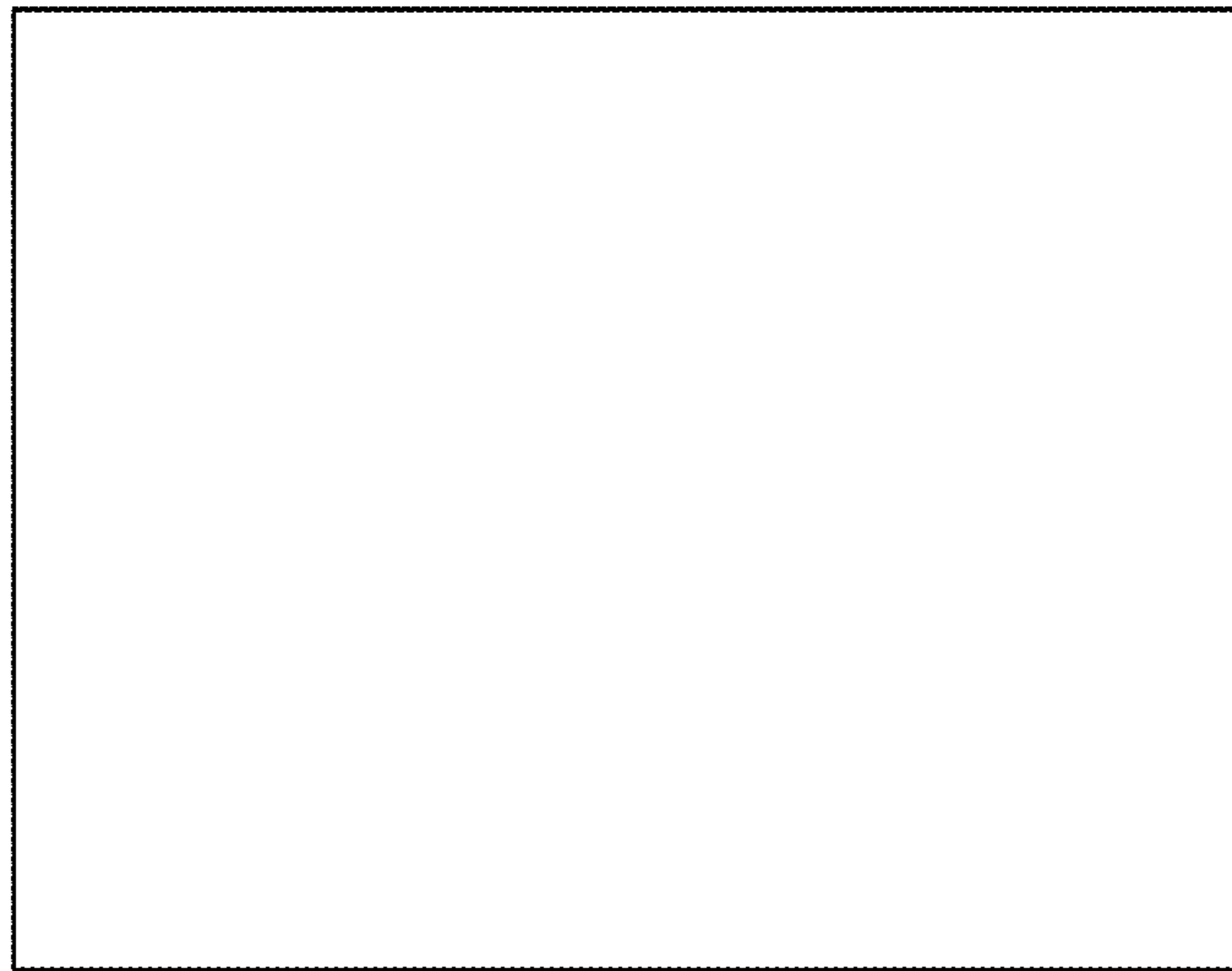


Fig. 6



Fig. 7

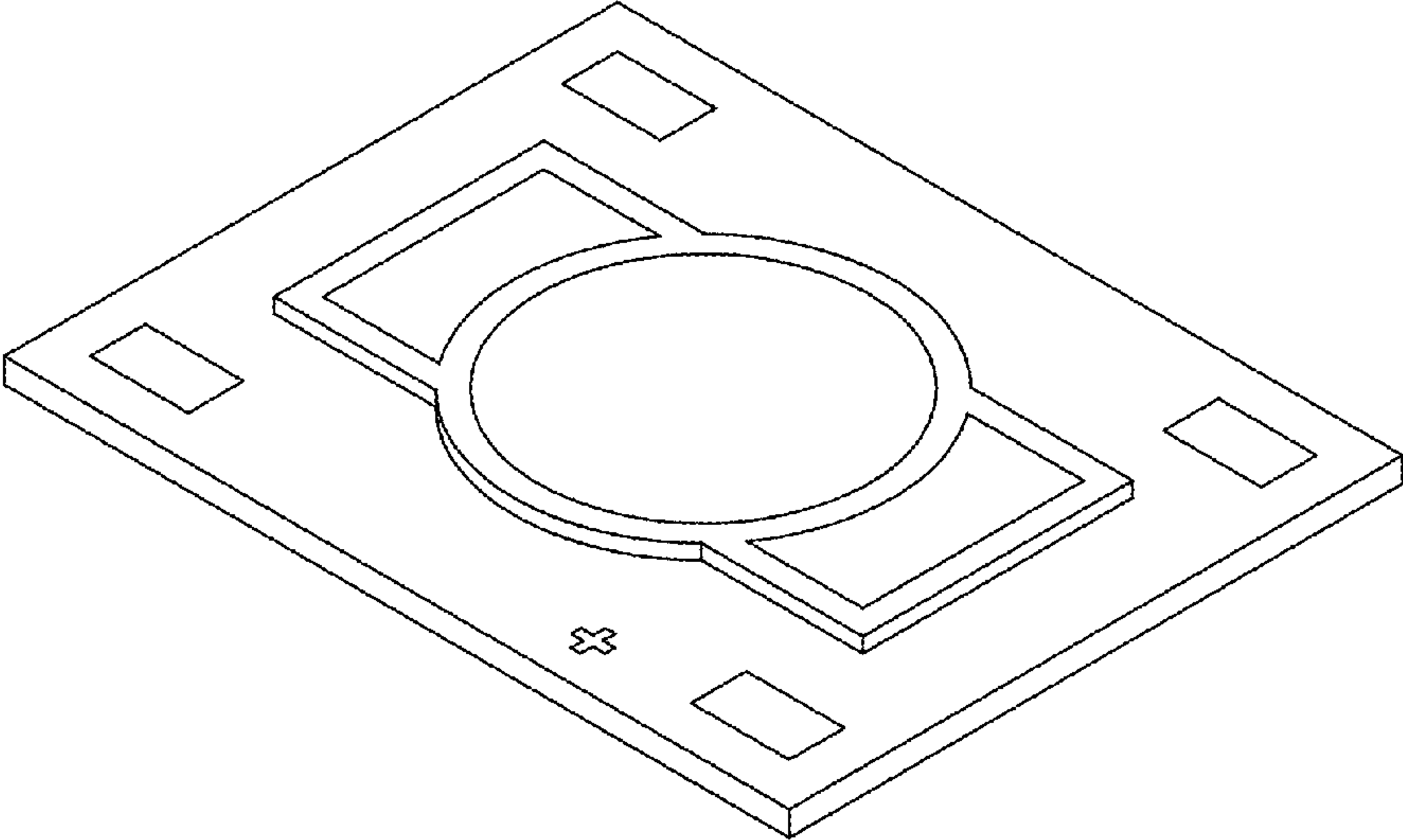


Fig. 8

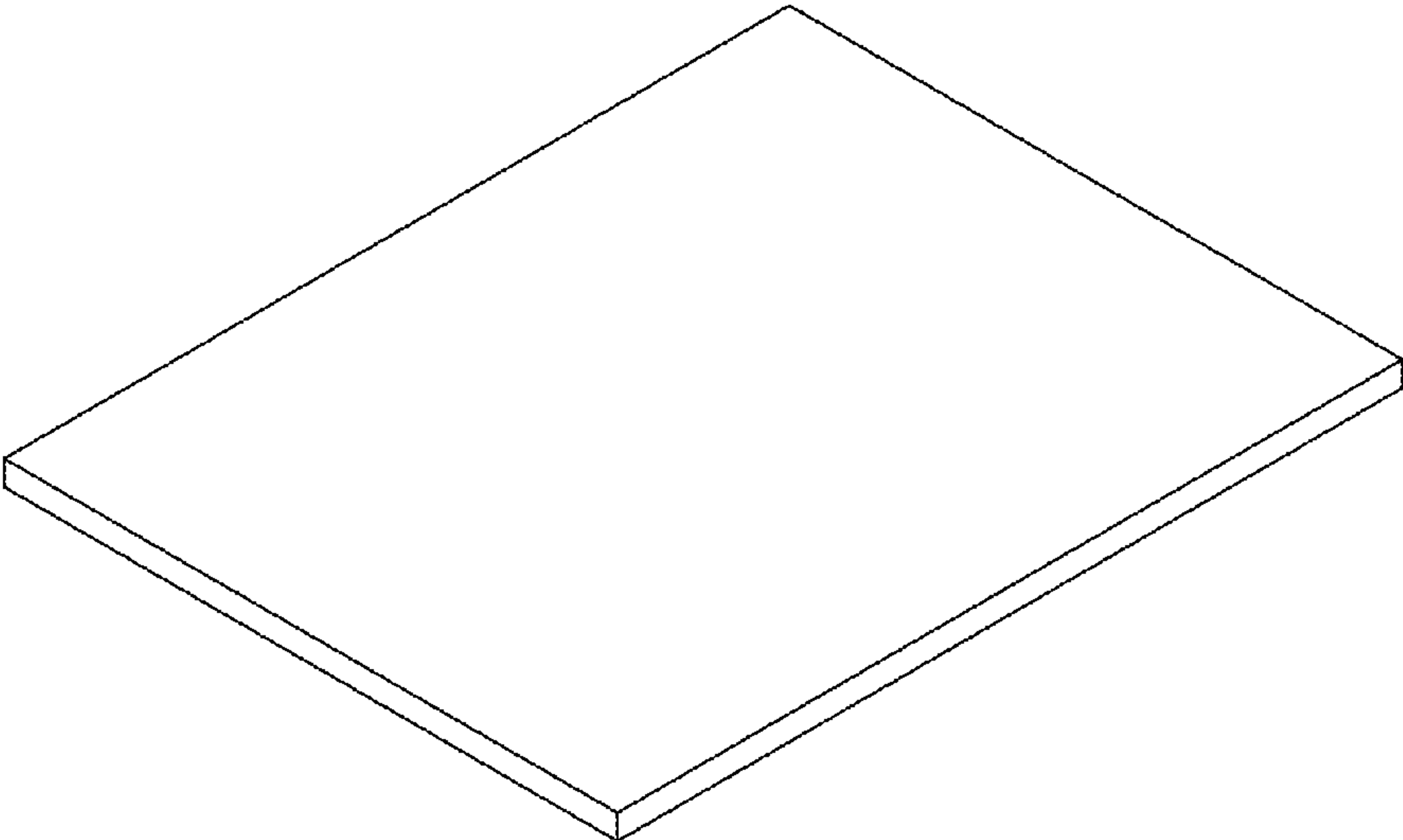


Fig. 9

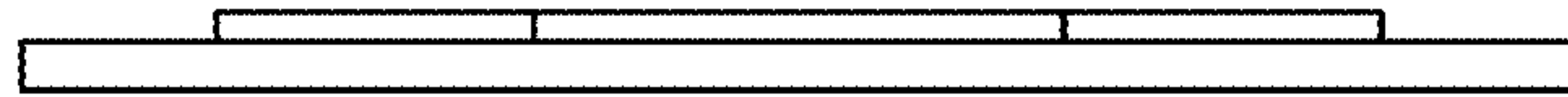


Fig. 10

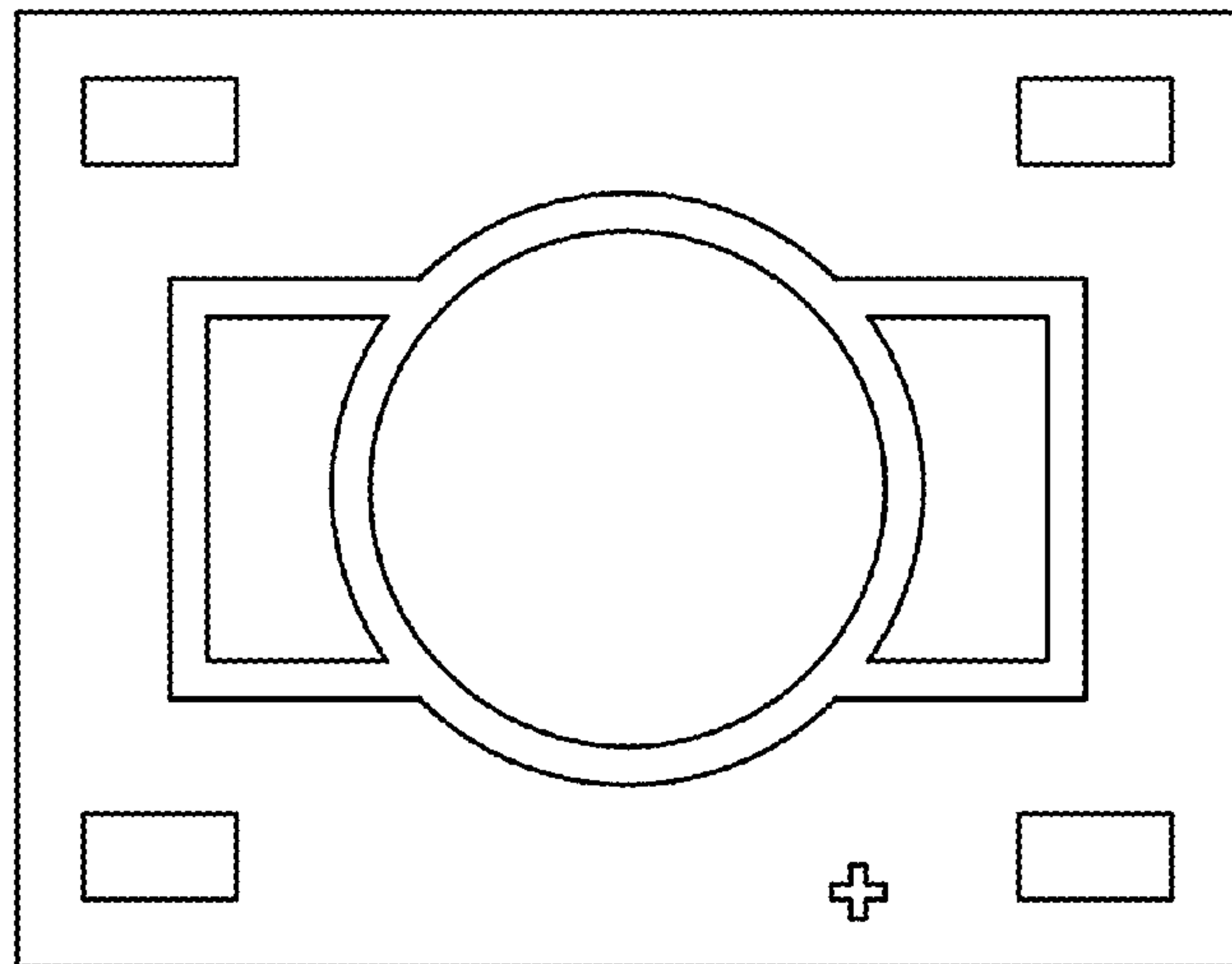


Fig. 11

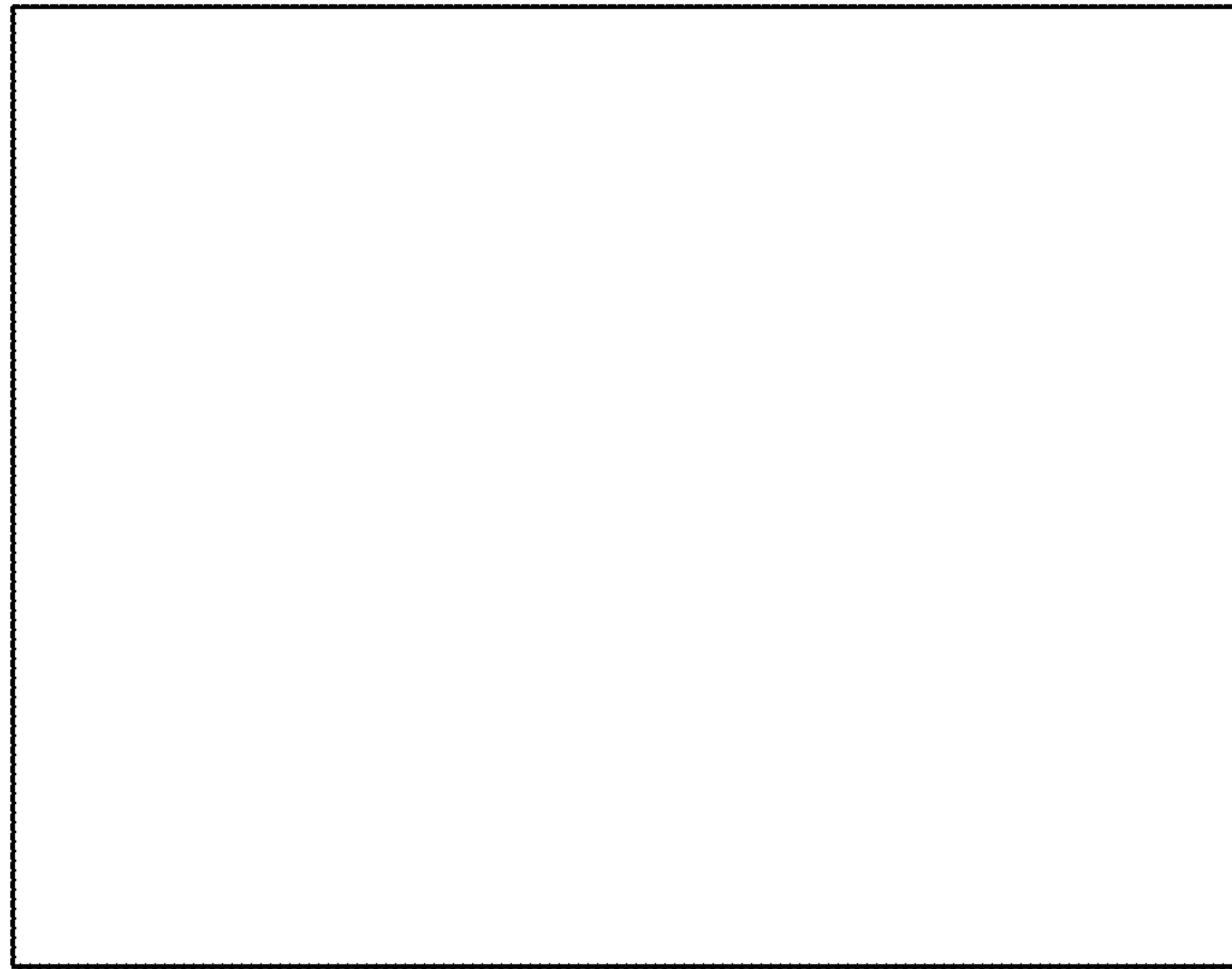


Fig. 12

