



US00D714231S

(12) **United States Design Patent**
Sparks et al.

(10) **Patent No.:** **US D714,231 S**

(45) **Date of Patent:** **** Sep. 30, 2014**

(54) **CONTROLLER MODULE**

(71) Applicant: **Microsoft Corporation**, Redmond, WA
(US)

(72) Inventors: **Bryan A. Sparks**, Sammamish, WA
(US); **Monika Wolf**, Redmond, WA
(US); **Eric Joseph Wahl**, Kirkland, WA
(US); **Aditha M. Adams**, Seattle, WA
(US); **Audrey C. C. Louchart**, Seattle,
WA (US); **Quinton R. Morris**, Issaquah,
WA (US); **Austin Porter**, Redmond, WA
(US)

(73) Assignee: **Microsoft Corporation**, Redmond, WA
(US)

(**) Term: **14 Years**

(21) Appl. No.: **29/464,513**

(22) Filed: **Aug. 16, 2013**

(51) **LOC (10) Cl.** **13-03**

(52) **U.S. Cl.**
USPC **D13/174; D14/454**

(58) **Field of Classification Search**
USPC D13/162, 164, 171, 173, 174, 177;
D14/217, 299, 247, 390, 391, 392, 388,
D14/432, 433, 454, 455; D21/333; 200/5 R,
200/5 A, 5 E, 302.2, 520, 530, 293, 296,
200/314, 329, 341; 273/148 B; 307/139,
307/157; 345/156, 169, 184; 710/73
See application file for complete search history.

(56) **References Cited**

U.S. PATENT DOCUMENTS

D186,944 S * 12/1959 Everett D13/174
D301,873 S * 6/1989 Gutman D13/171
5,667,220 A * 9/1997 Cheng 273/148 B
D389,488 S * 1/1998 Williams et al. D14/247

5,786,807 A * 7/1998 Couch et al. 345/161
6,422,944 B1 * 7/2002 Naghi 463/47
D463,381 S * 9/2002 Westermann D13/167
D483,769 S 12/2003 Stewart et al.
D483,770 S 12/2003 Lum et al.
D484,887 S 1/2004 Stewart et al.
D524,249 S * 7/2006 Chen D13/158
D554,077 S * 10/2007 Laurent et al. D13/164
D556,268 S * 11/2007 Luciano et al. D21/385
D567,240 S * 4/2008 Griffin D14/392
D570,356 S 6/2008 Ikeda et al.
D582,422 S 12/2008 Ikeda et al.
D582,423 S 12/2008 Ikeda et al.
D585,071 S 1/2009 Ikeda et al.
D620,014 S * 7/2010 Leung et al. D14/455
D626,093 S * 10/2010 Bates D13/174
D635,978 S * 4/2011 Chen D14/434
8,137,192 B2 * 3/2012 Thomas 463/31
D694,715 S * 12/2013 Fichte et al. D13/162
2003/0100363 A1 * 5/2003 Ali 463/30
2006/0250371 A1 * 11/2006 Martinez et al. 345/168

(Continued)

Primary Examiner — Selina Sikder

(74) *Attorney, Agent, or Firm* — Banner & Witcoff, Ltd.

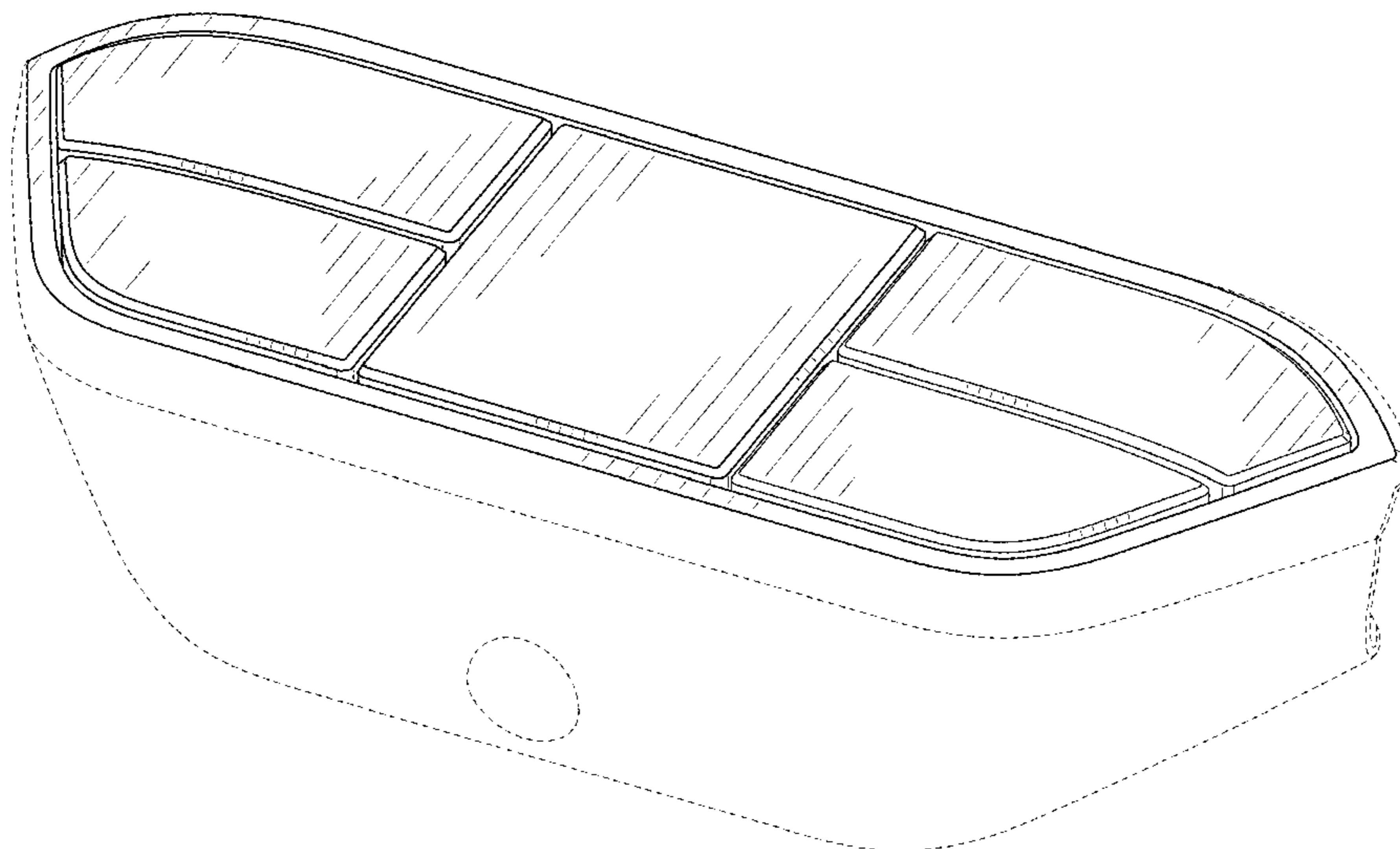
(57) **CLAIM**

The ornamental design for a controller module, as shown and described.

DESCRIPTION

FIG. 1 is a front perspective view of a controller module showing our new design;
FIG. 2 is a front view thereof;
FIG. 3 is a rear view thereof;
FIG. 4 is a right side view thereof;
FIG. 5 is a left side view thereof;
FIG. 6 is a top view thereof; and,
FIG. 7 is a bottom view thereof.
The broken line showing of the remainder of the controller module in FIGS. 1-7 is for environmental purposes only and forms no part of the claimed design.

1 Claim, 6 Drawing Sheets



US D714,231 S

Page 2

(56)

References Cited

U.S. PATENT DOCUMENTS

2011/0108403	A1*	5/2011	Kukita	200/341
2011/0124387	A1*	5/2011	Sauerbrei et al.	463/7
2013/0313092	A1*	11/2013	Inque	200/341
2010/0261513	A1*	10/2010	Izen et al.	463/7

* cited by examiner

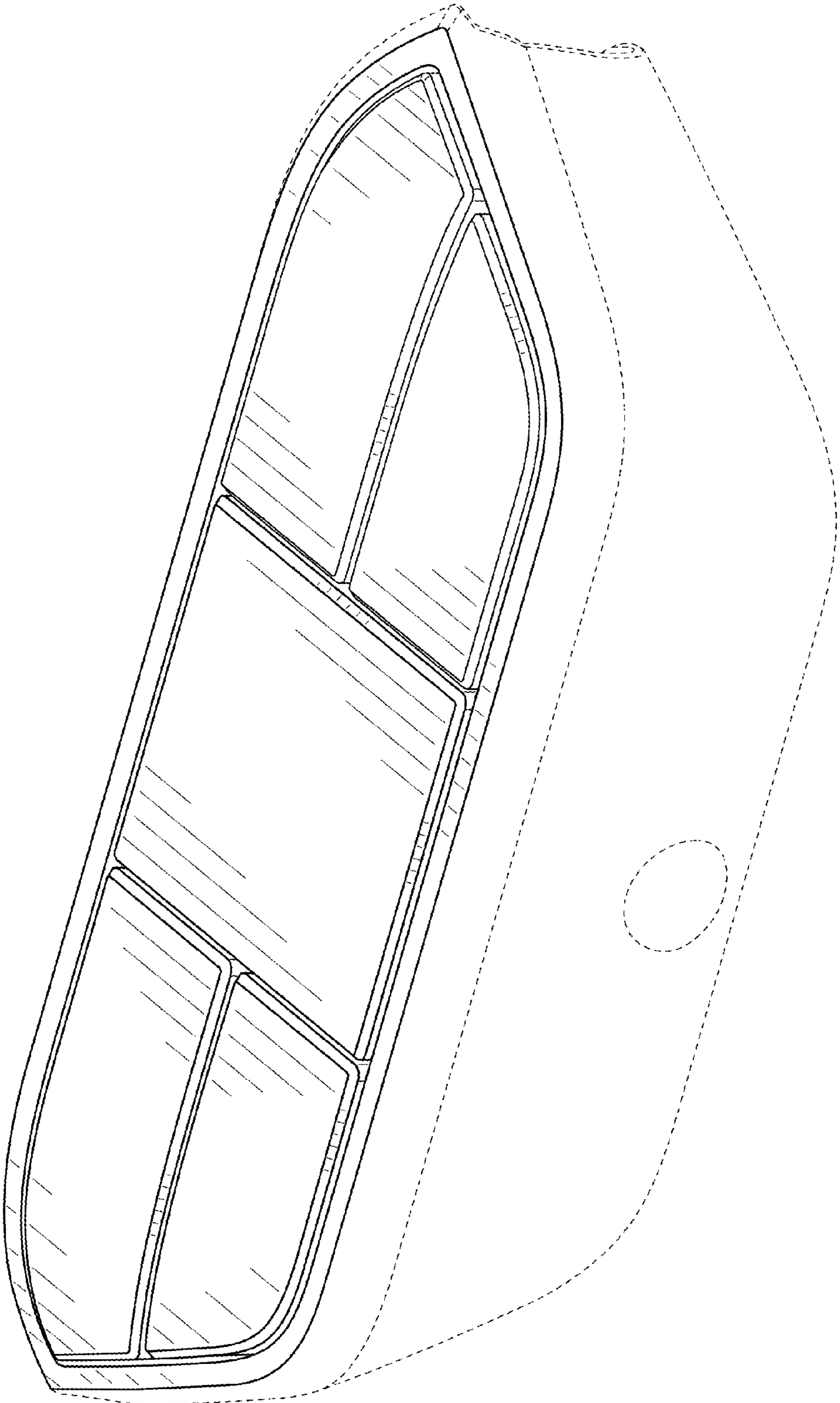


FIG. 1

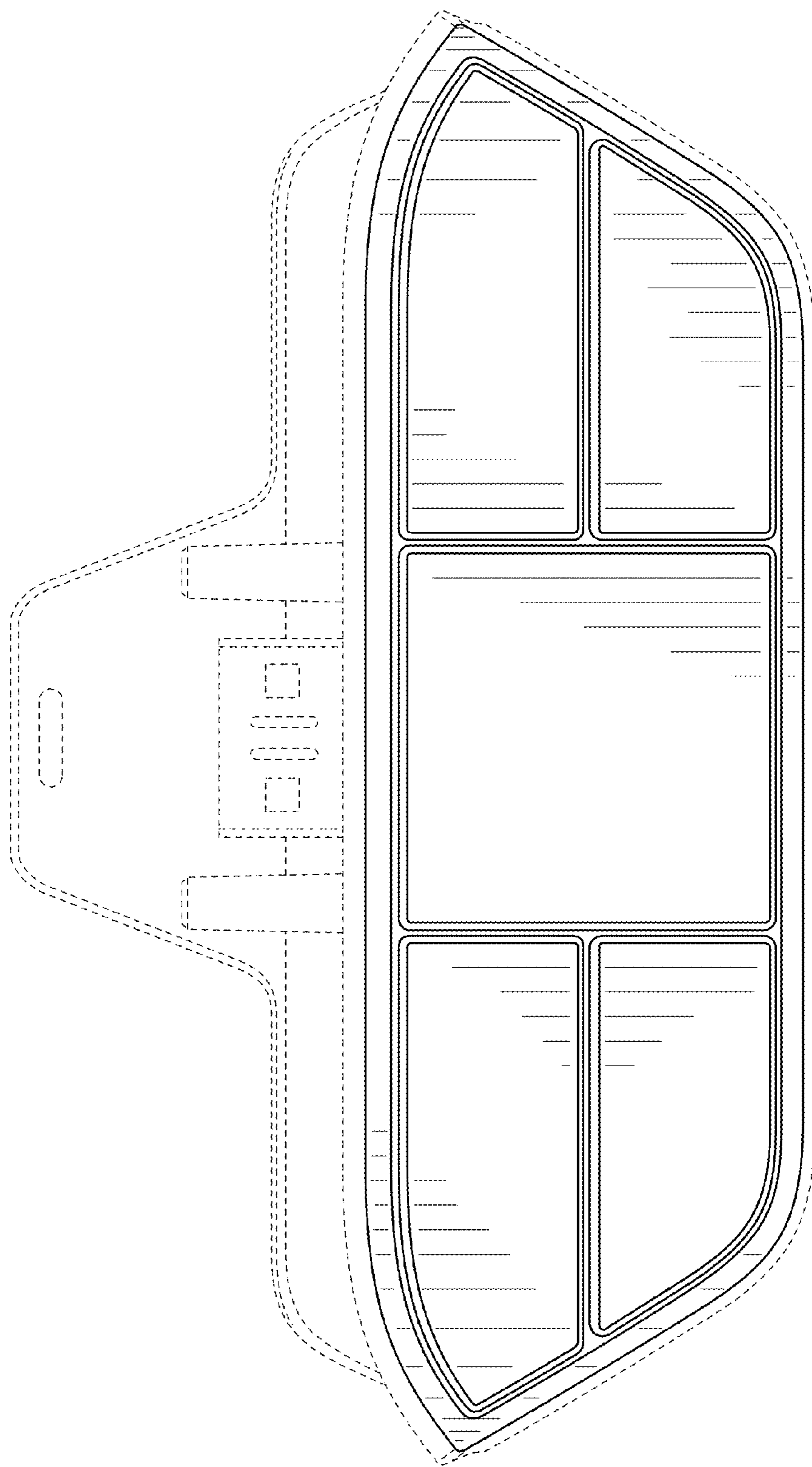


FIG. 2

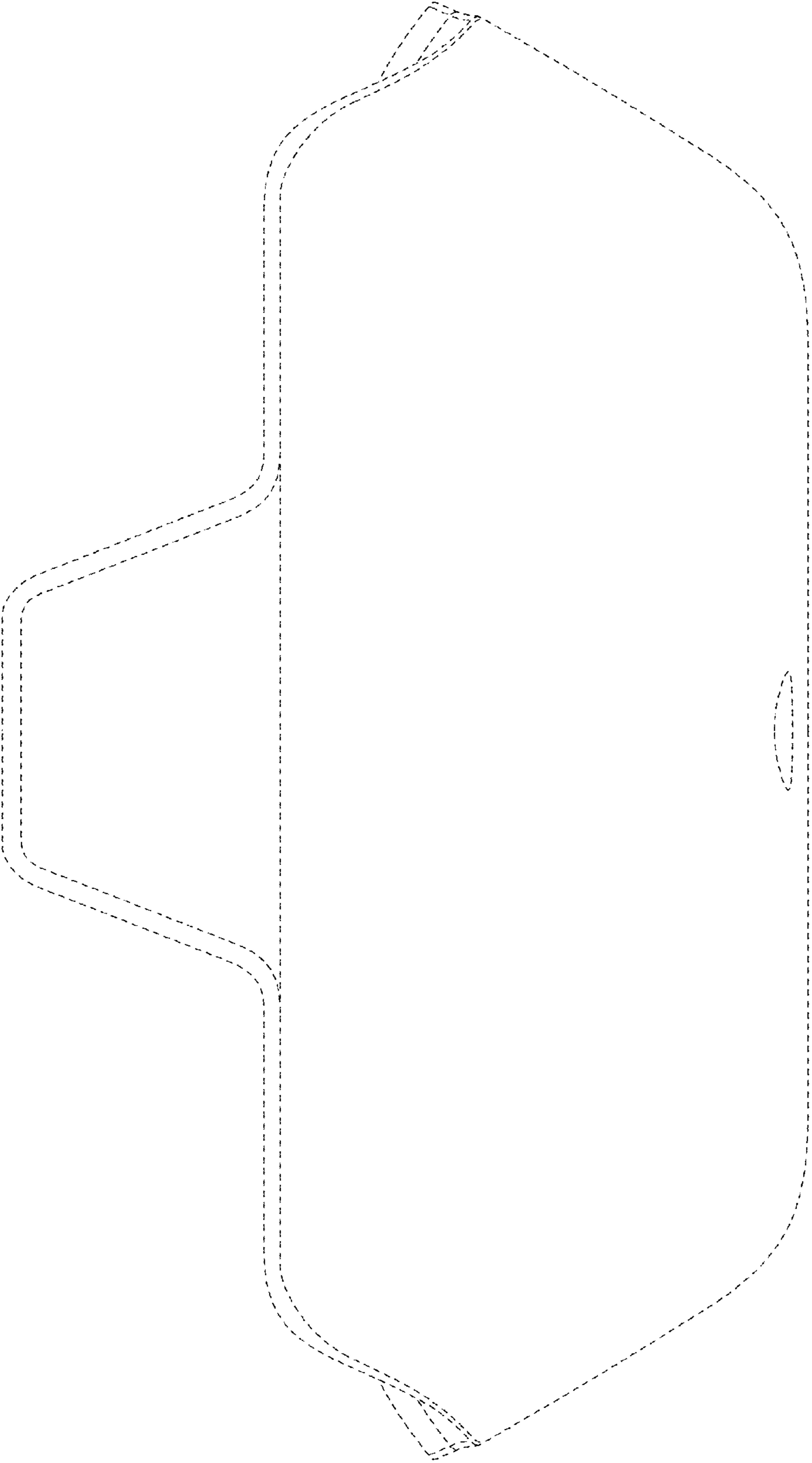


FIG. 3

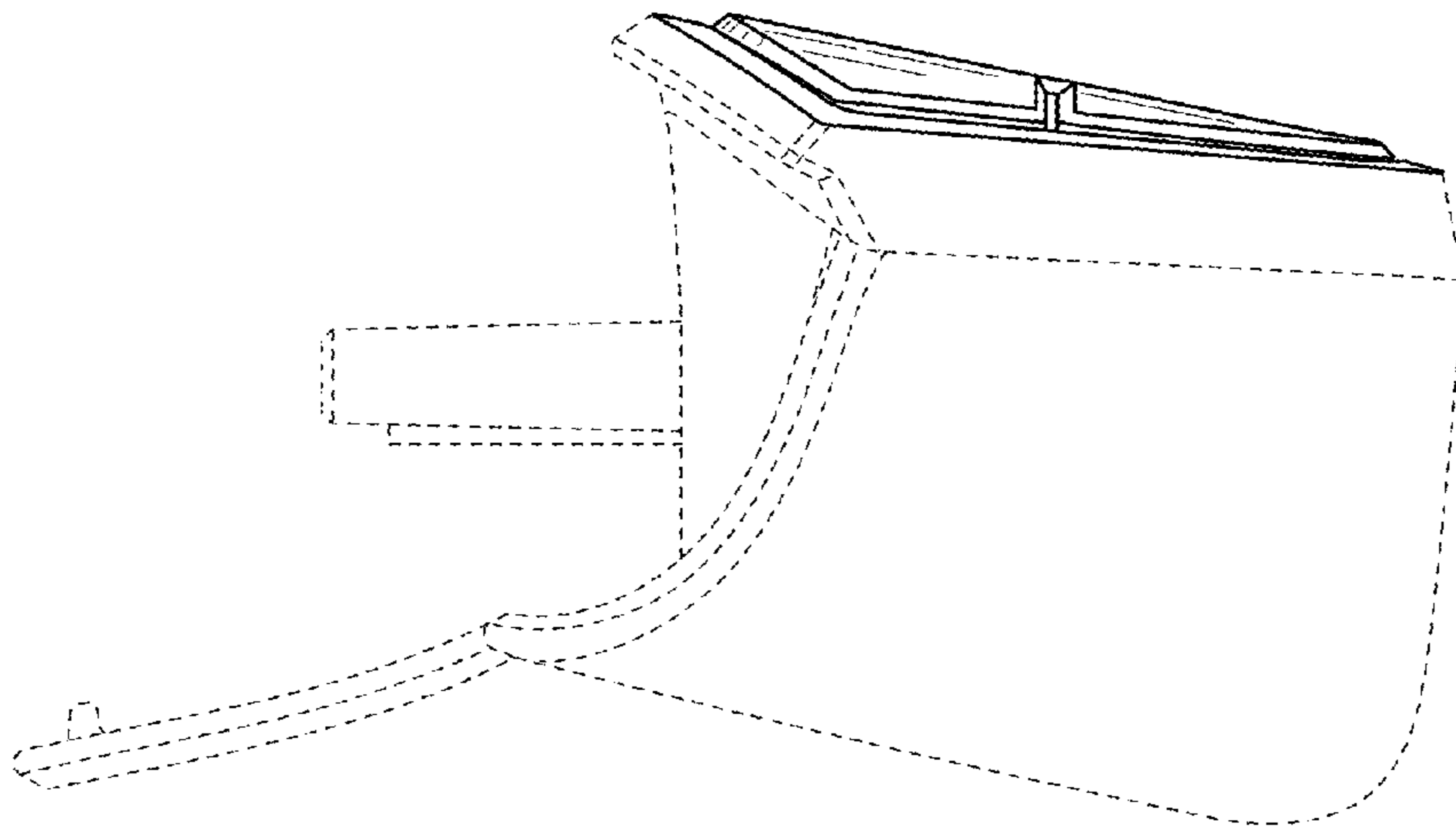


FIG. 5

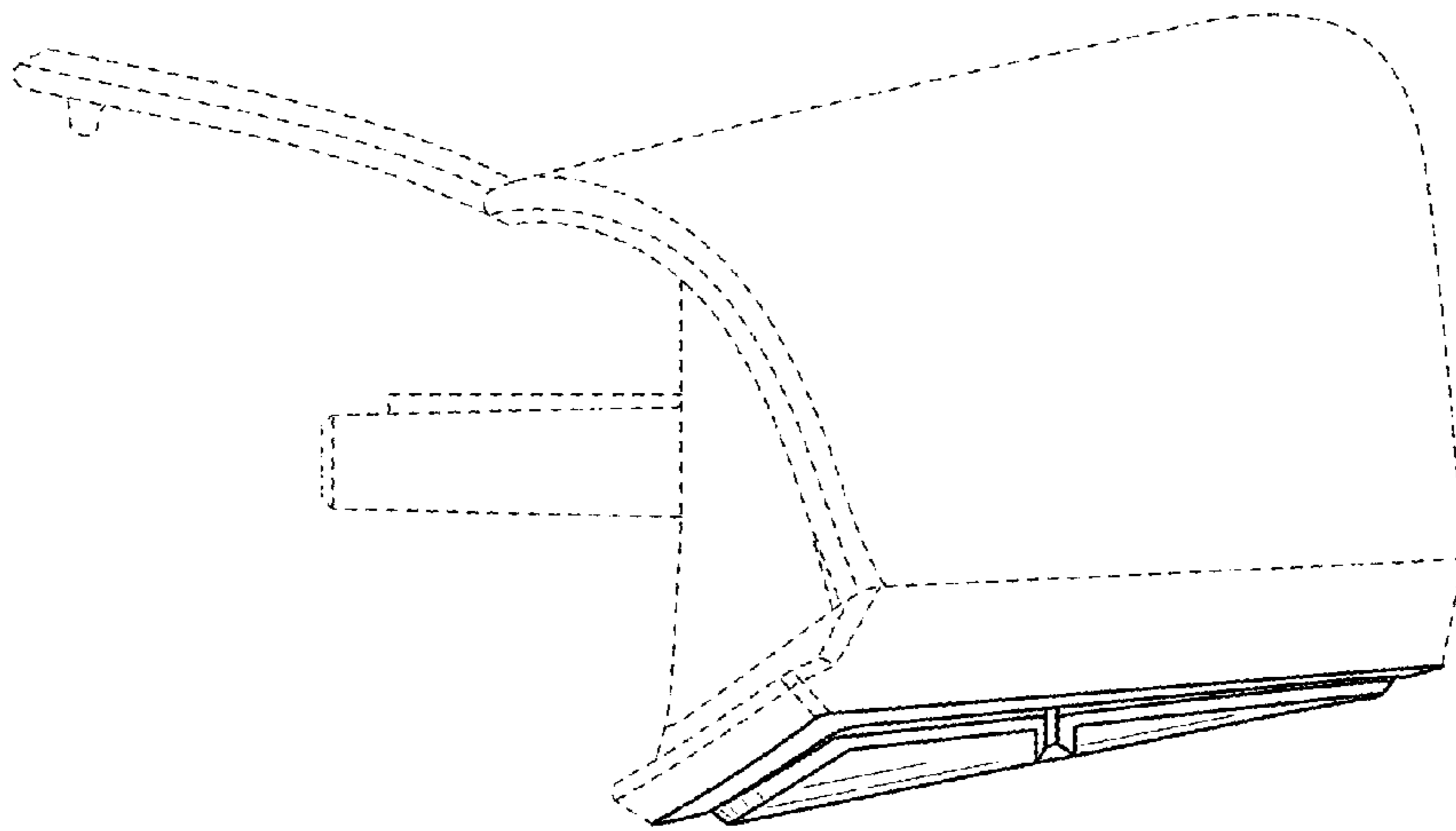


FIG. 4

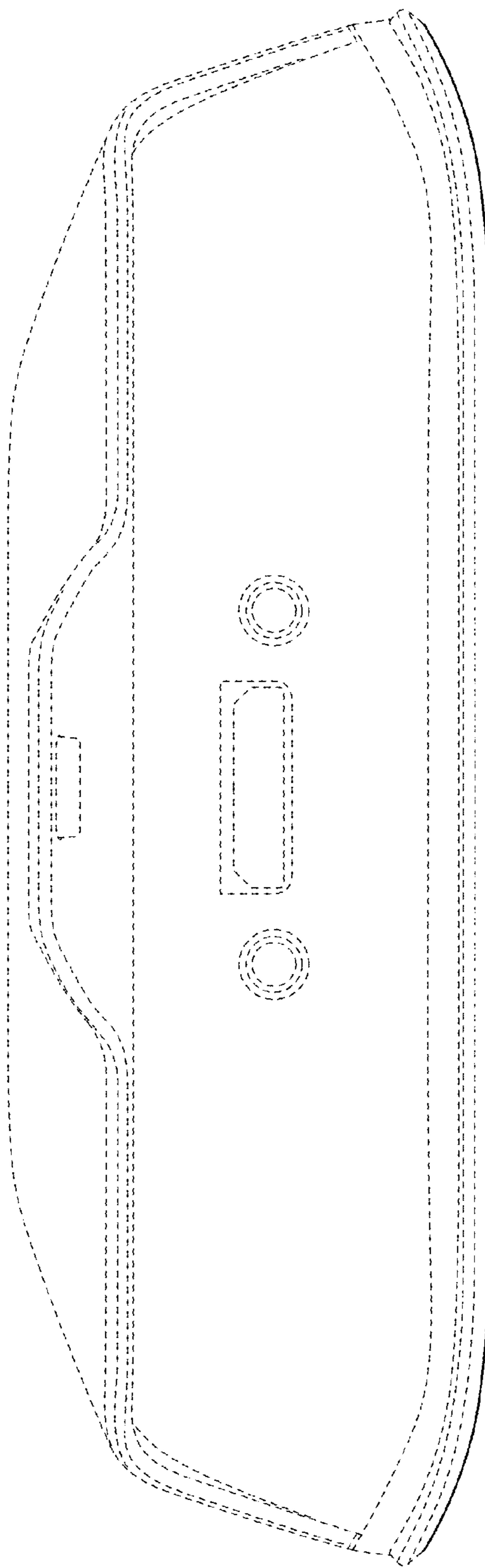


FIG. 6

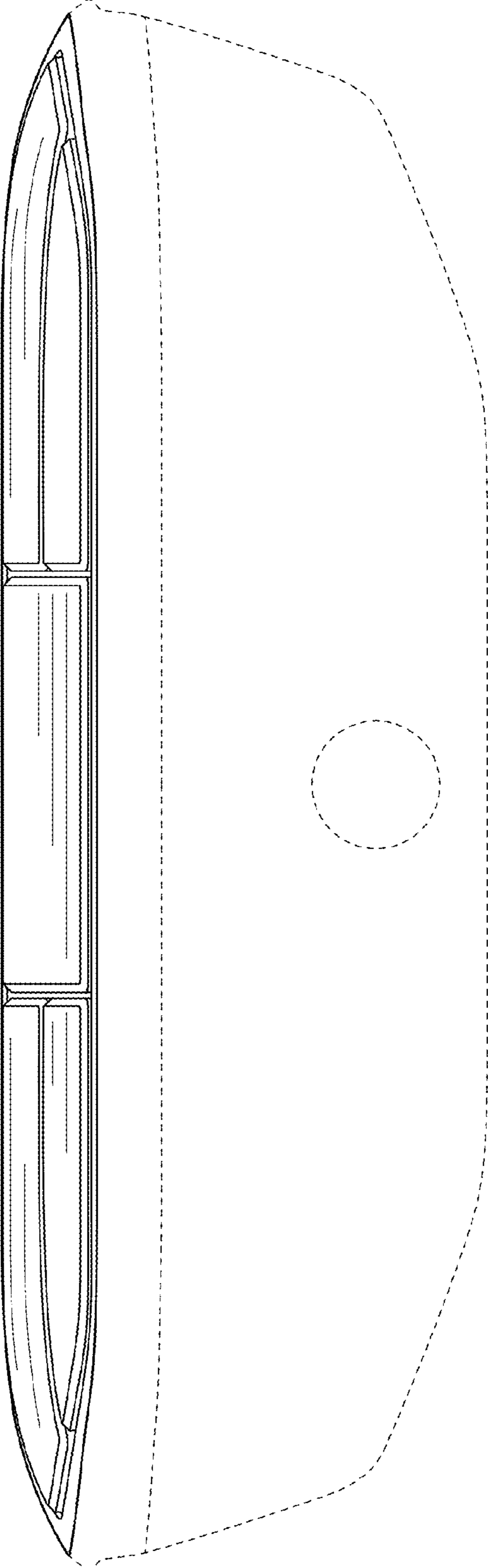


FIG. 7