



US00D714230S

(12) **United States Design Patent**
Sun et al.

(10) **Patent No.:** **US D714,230 S**
(45) **Date of Patent:** **** Sep. 30, 2014**

(54) **SWITCH**

(56) **References Cited**

(71) Applicant: **Hon Hai Precision Industry Co., Ltd.**,
New Taipei (TW)

(72) Inventors: **Liang Sun**, Shenzhen (CN); **Yusho Nakase**, Yokohama (JP)

(73) Assignee: **Hon Hai Precision Industry Co., Ltd.**,
New Taipei (TW)

(**) Term: **14 Years**

(21) Appl. No.: **29/471,237**

(22) Filed: **Oct. 30, 2013**

(30) **Foreign Application Priority Data**

Apr. 30, 2013 (CN) 2013 3 0151019

(51) **LOC (10) Cl.** **13-03**

(52) **U.S. Cl.**
USPC **D13/171**

(58) **Field of Classification Search**
USPC D13/158, 171, 174; 200/1 B, 5 R, 5 A,
200/302.2, 406, 520, 530, 293, 296, 308,
200/310, 314, 329, 341; 307/139, 157;
315/209 R, 224, 246, 291, 294, 295

See application file for complete search history.

U.S. PATENT DOCUMENTS

D226,384	S	*	2/1973	Johnson	D13/171
7,250,581	B2	*	7/2007	Asada	200/341
7,429,707	B2	*	9/2008	Yanai et al.	200/1 B
7,557,320	B1	*	7/2009	Crooijmans et al.	200/406
D680,503	S	*	4/2013	Kawashima et al.	D13/171
2011/0036696	A1	*	2/2011	Villain et al.	200/341
2011/0284357	A1	*	11/2011	Yasunaga et al.	200/530
2012/0055773	A1		3/2012	Nakaoka		
2012/0241302	A1		9/2012	Ishigame		
2013/0032457	A1	*	2/2013	Quinn	200/341
2013/0068599	A1	*	3/2013	Kikuchi	200/341

* cited by examiner

Primary Examiner — Selina Sikder

(74) *Attorney, Agent, or Firm* — Wei Te Chung; Ming Chieh Chang

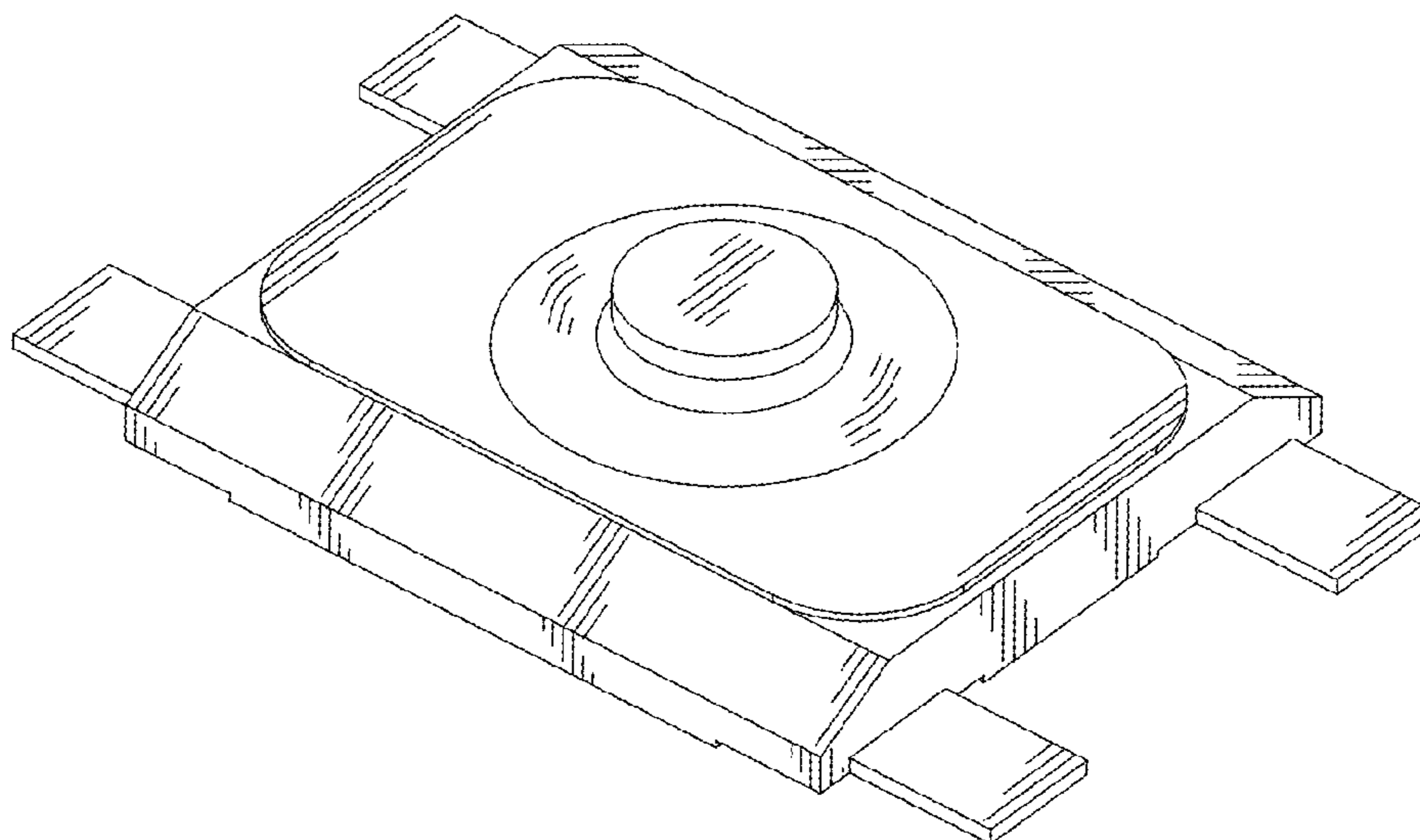
(57) **CLAIM**

The ornamental design for a switch, as shown.

DESCRIPTION

FIG. 1 is a front, top and right side perspective view of a switch showing our new design;
FIG. 2 is a front elevational view thereof;
FIG. 3 is a rear elevational view thereof;
FIG. 4 is a left side elevational view thereof;
FIG. 5 is a right side elevational view thereof;
FIG. 6 is a top plan view thereof; and,
FIG. 7 is a bottom plan view thereof.

1 Claim, 7 Drawing Sheets



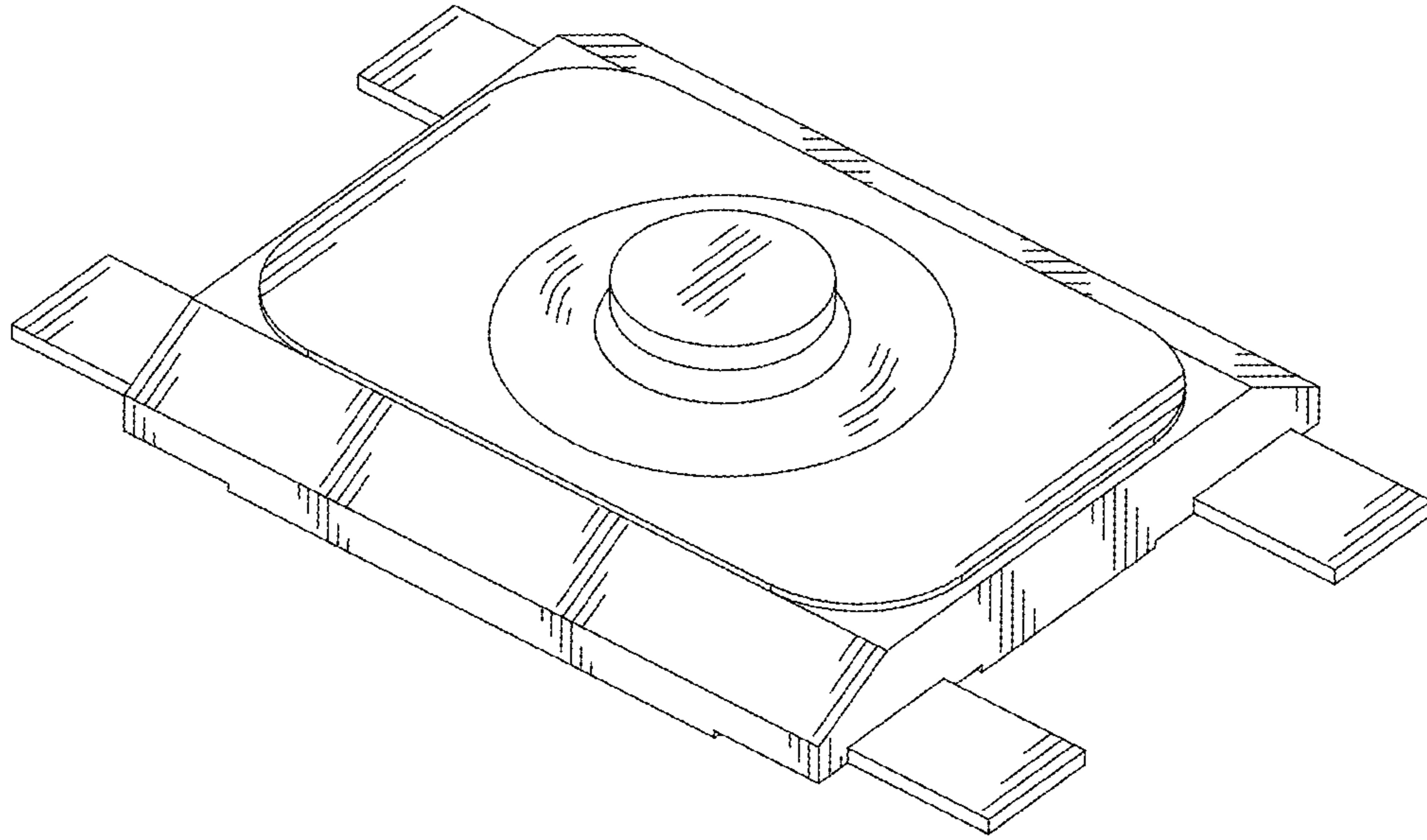


FIG. 1

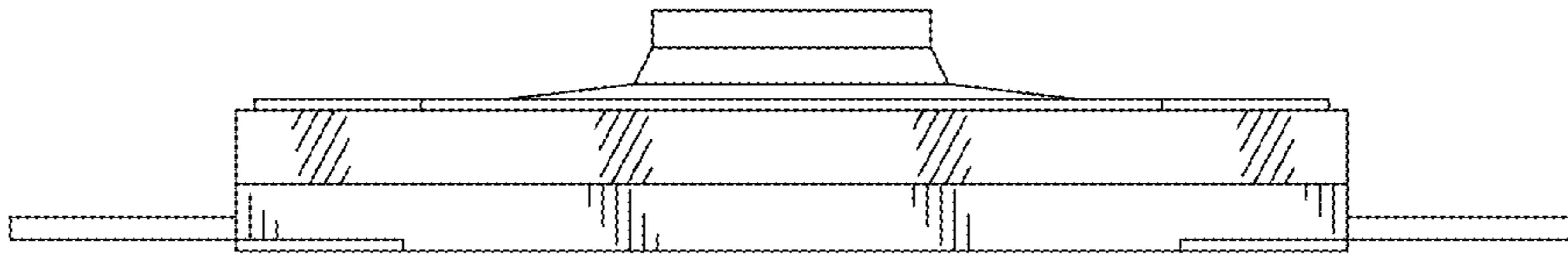


FIG. 2

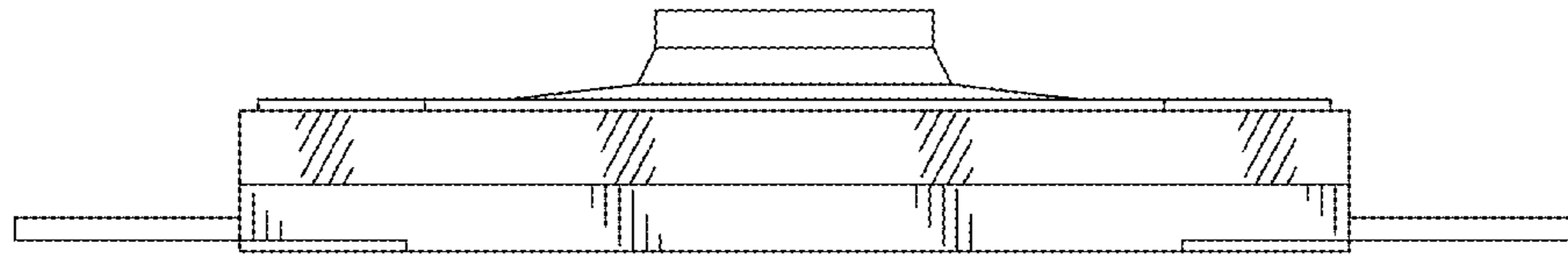


FIG. 3

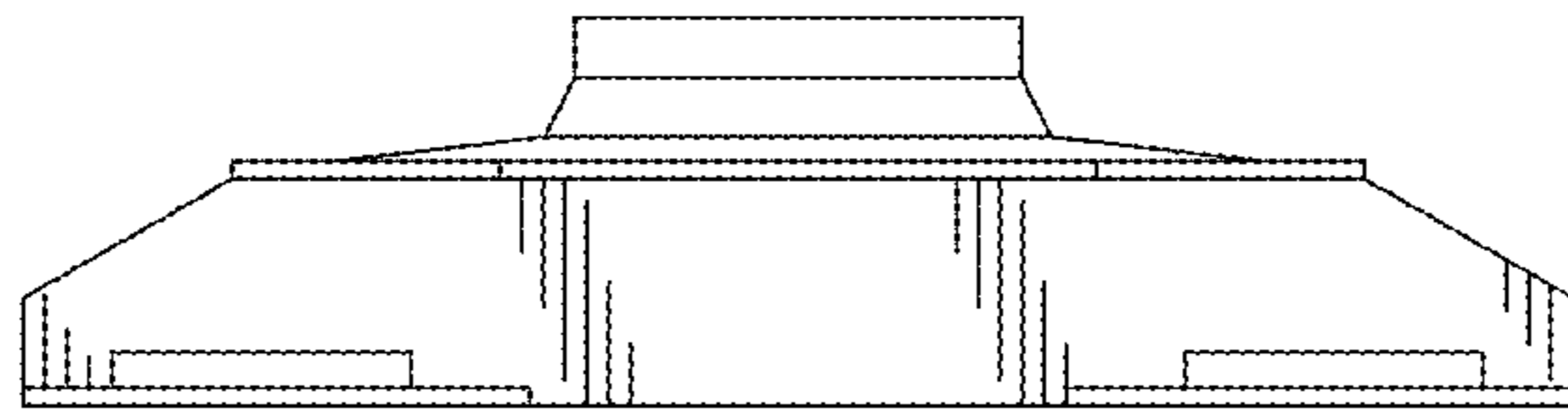


FIG. 4

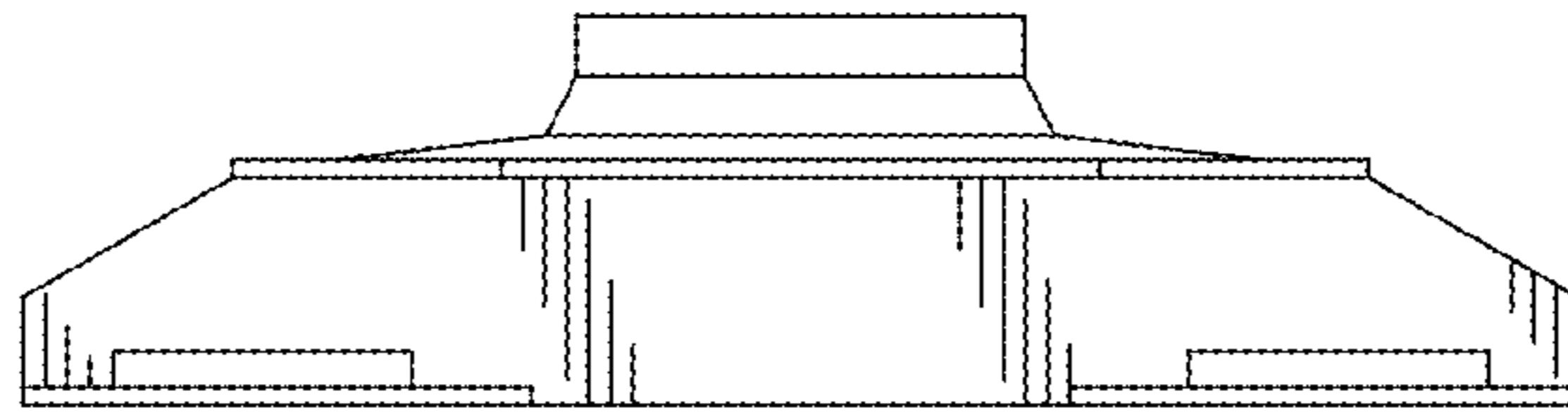


FIG. 5

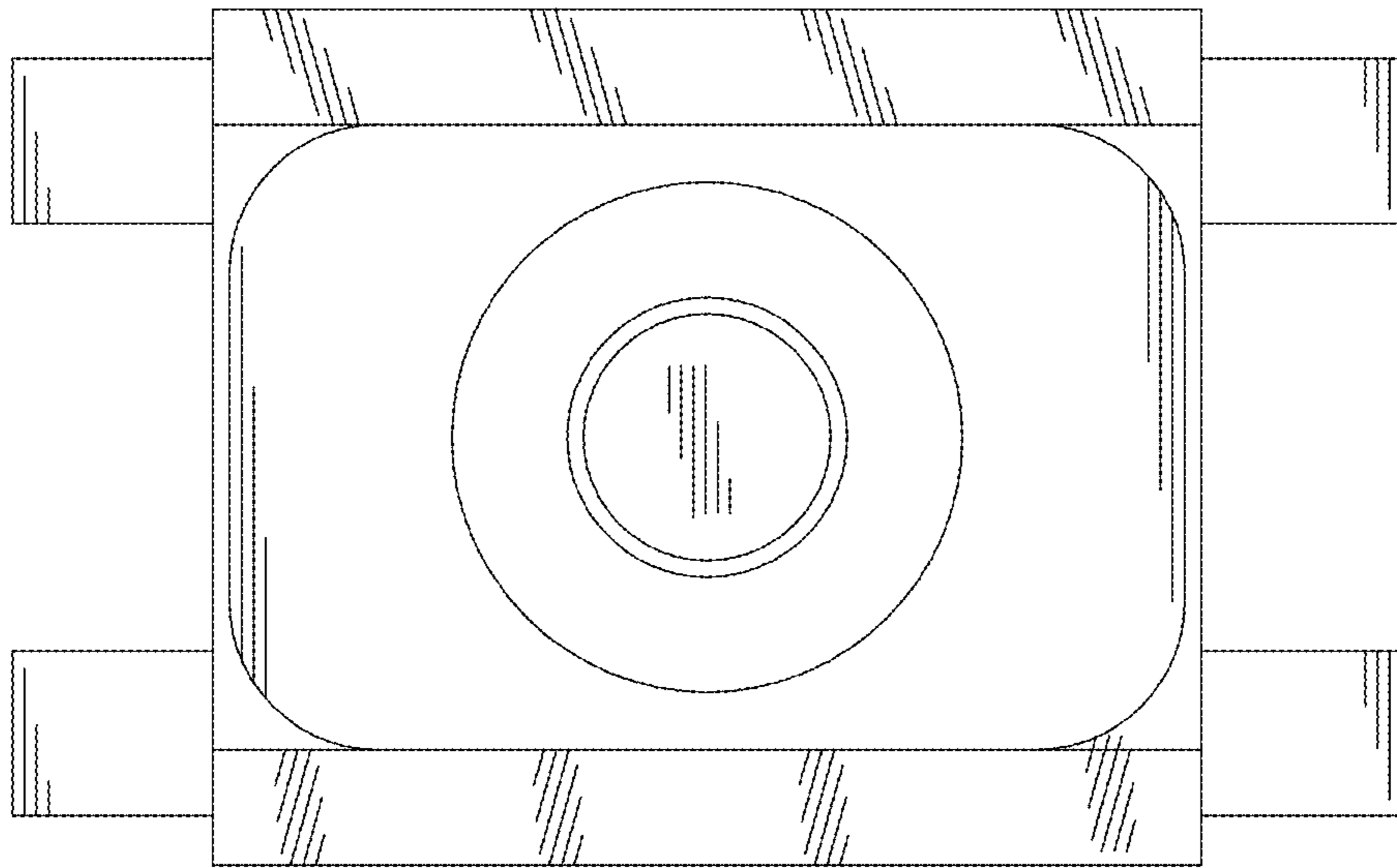


FIG. 6

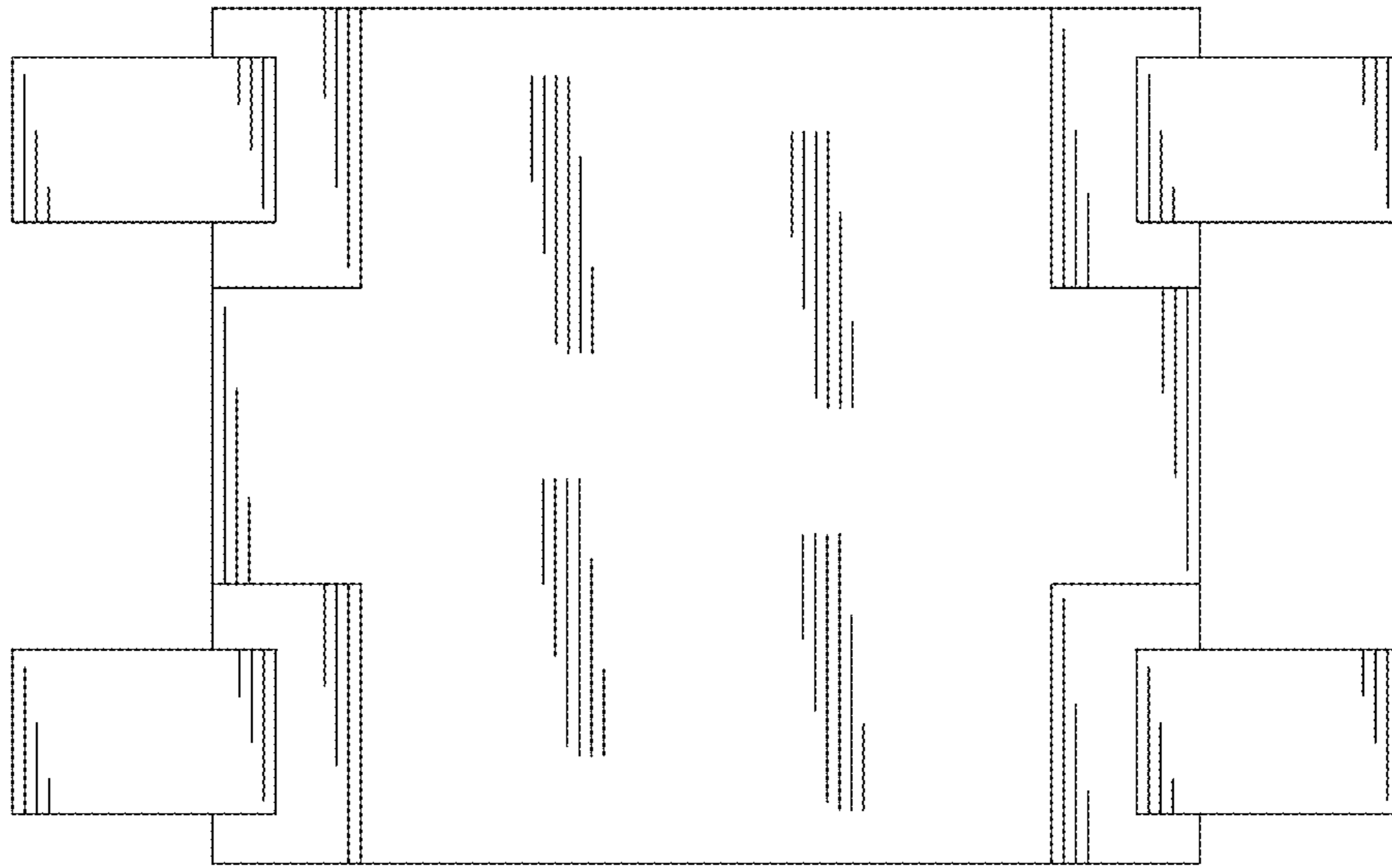


FIG. 7