



US00D714227S

(12) **United States Design Patent**
Buck et al.

(10) **Patent No.:** **US D714,227 S**
(45) **Date of Patent:** **** Sep. 30, 2014**

(54) **GROUND PLATE FOR AN ELECTRICAL CONNECTOR**

(71) Applicants: **Jonathan E. Buck**, Hershey, PA (US);
Stuart C. Stoner, Lewisberry, PA (US);
Steven E. Minich, York, PA (US);
Douglas M. Johnescu, York, PA (US);
Stephen B. Smith, Mechanicsburg, PA (US);
Lewis Robin Johnson, Dover, PA (US);
Mark Edwin Lauermann, Harrisburg, PA (US)

(72) Inventors: **Jonathan E. Buck**, Hershey, PA (US);
Stuart C. Stoner, Lewisberry, PA (US);
Steven E. Minich, York, PA (US);
Douglas M. Johnescu, York, PA (US);
Stephen B. Smith, Mechanicsburg, PA (US);
Lewis Robin Johnson, Dover, PA (US);
Mark Edwin Lauermann, Harrisburg, PA (US)

(73) Assignee: **FCI Americas Technology LLC**, Carson City, NV (US)

(**) Term: **14 Years**

(21) Appl. No.: **29/445,588**

(22) Filed: **Feb. 13, 2013**

(51) **LOC (10) Cl.** **13-03**

(52) **U.S. Cl.**
USPC **D13/154**

(58) **Field of Classification Search**
USPC D13/146, 147, 149, 154, 184, 199;
439/74, 108, 180, 252, 258, 246, 278,
439/374, 378, 379, 381, 527, 529, 533, 660,
439/717, 865-894, 953; 174/16.3; 257/697,
257/727; 361/769

See application file for complete search history.

(56) **References Cited**

U.S. PATENT DOCUMENTS

D210,829 S * 4/1968 Hanlon et al. D13/147
D213,697 S * 4/1969 Oxley D13/147

D402,637 S * 12/1998 Carpenter, Jr. D13/178
6,960,103 B2 * 11/2005 Tokunaga 439/607.13
D550,628 S * 9/2007 Whiteman et al. D13/147
D611,420 S * 3/2010 Takada et al. D13/147
D611,421 S * 3/2010 Takada et al. D13/147
D611,905 S * 3/2010 Takada et al. D13/147
D611,906 S * 3/2010 Takada et al. D13/147
2007/0190825 A1 * 8/2007 Shuey et al. 439/108
2009/0068902 A1 * 3/2009 Nagata 439/717

* cited by examiner

Primary Examiner — Daniel Bui

(74) *Attorney, Agent, or Firm* — Baker & Hostetler LLP

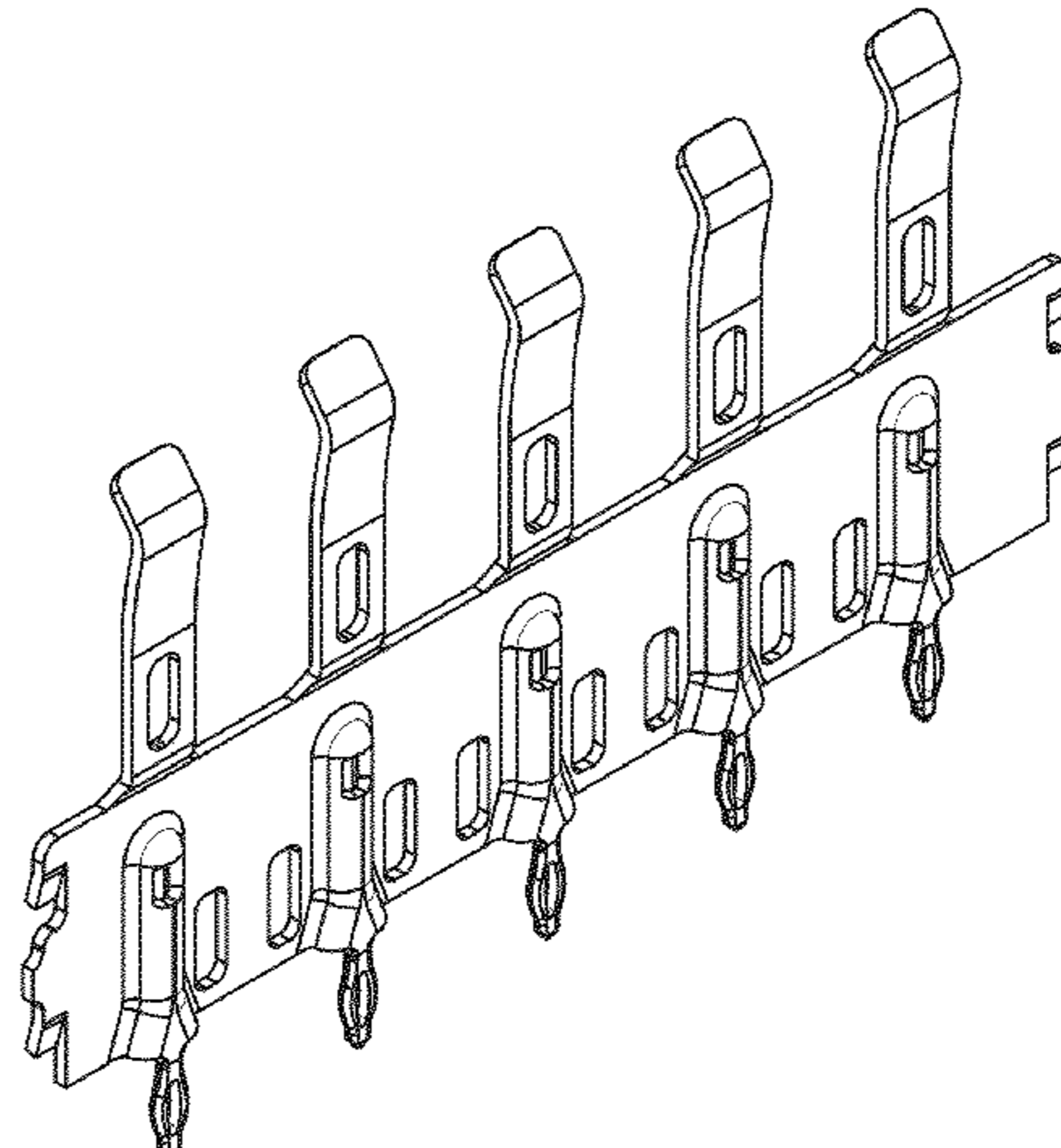
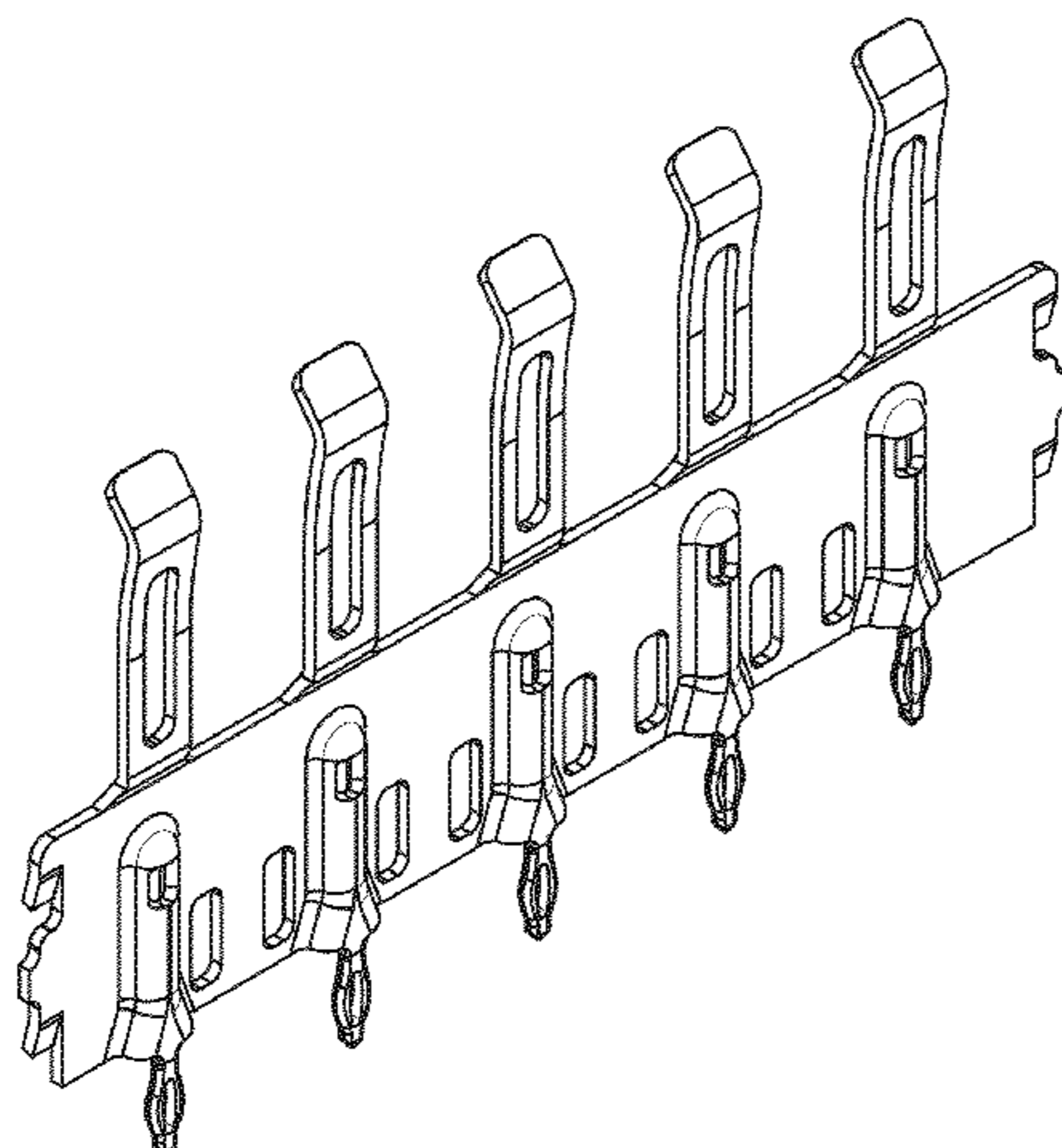
(57) **CLAIM**

The ornamental design for a ground plate for an electrical connector, as shown and described.

DESCRIPTION

FIG. 1 is a top, left, front perspective view of a first embodiment of a ground plate for an electrical connector showing our new design;
FIG. 2 is a bottom, right, rear perspective view thereof;
FIG. 3 is a front elevation view thereof;
FIG. 4 is a rear elevation view thereof;
FIG. 5 is a top plan view thereof;
FIG. 6 is a bottom plan view thereof;
FIG. 7 is a right side elevation view thereof;
FIG. 8 is a left side elevation view thereof;
FIG. 9 is a top, left, front perspective view of a second embodiment of a ground plate for an electrical connector showing our new design;
FIG. 10 is a bottom, right, rear perspective view thereof;
FIG. 11 is a front elevation view thereof;
FIG. 12 is a rear elevation view thereof;
FIG. 13 is a top plan view thereof;
FIG. 14 is a bottom plan view thereof;
FIG. 15 is a right side elevation view thereof; and,
FIG. 16 is a left side elevation view thereof.

1 Claim, 6 Drawing Sheets



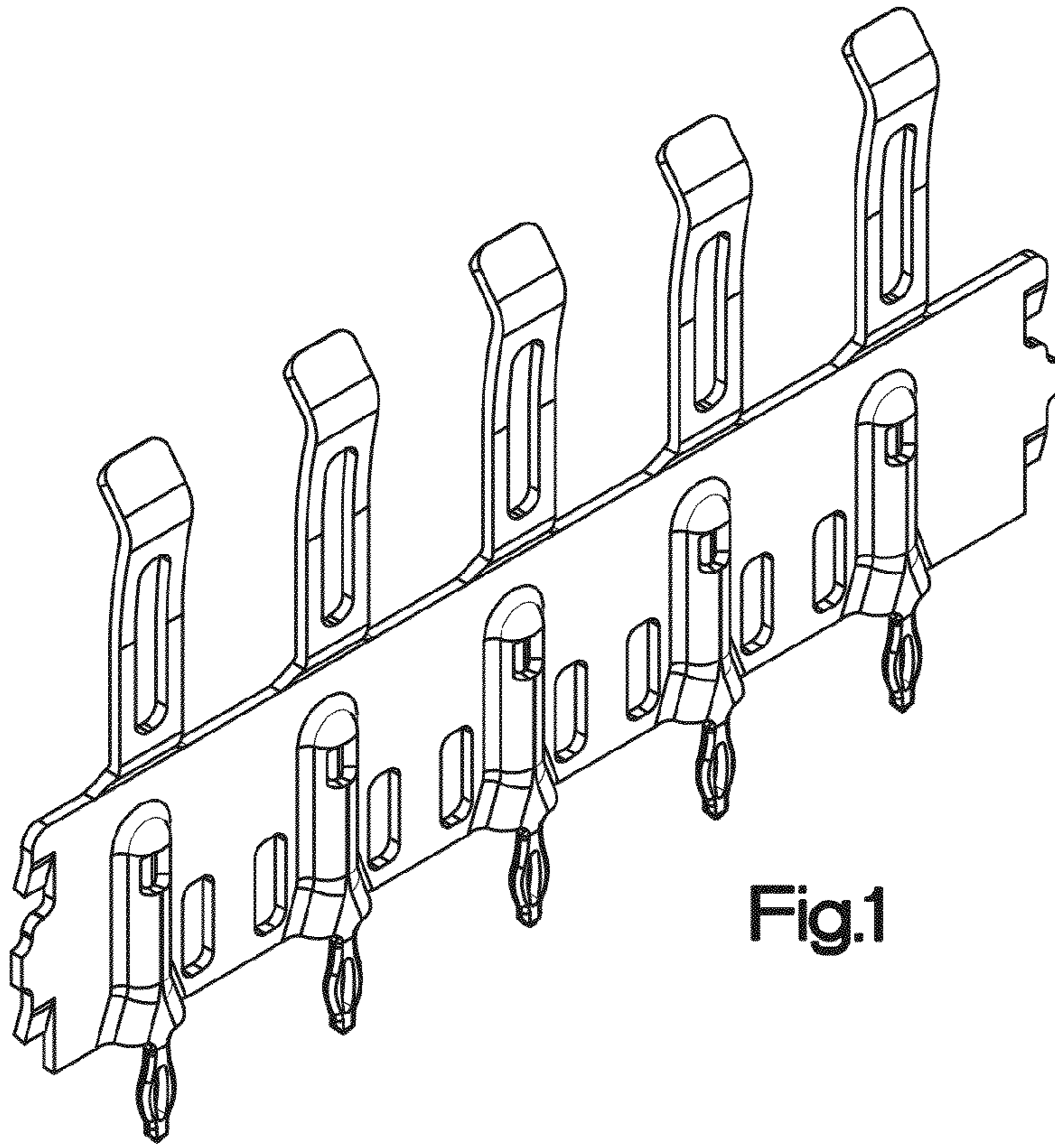


Fig.1

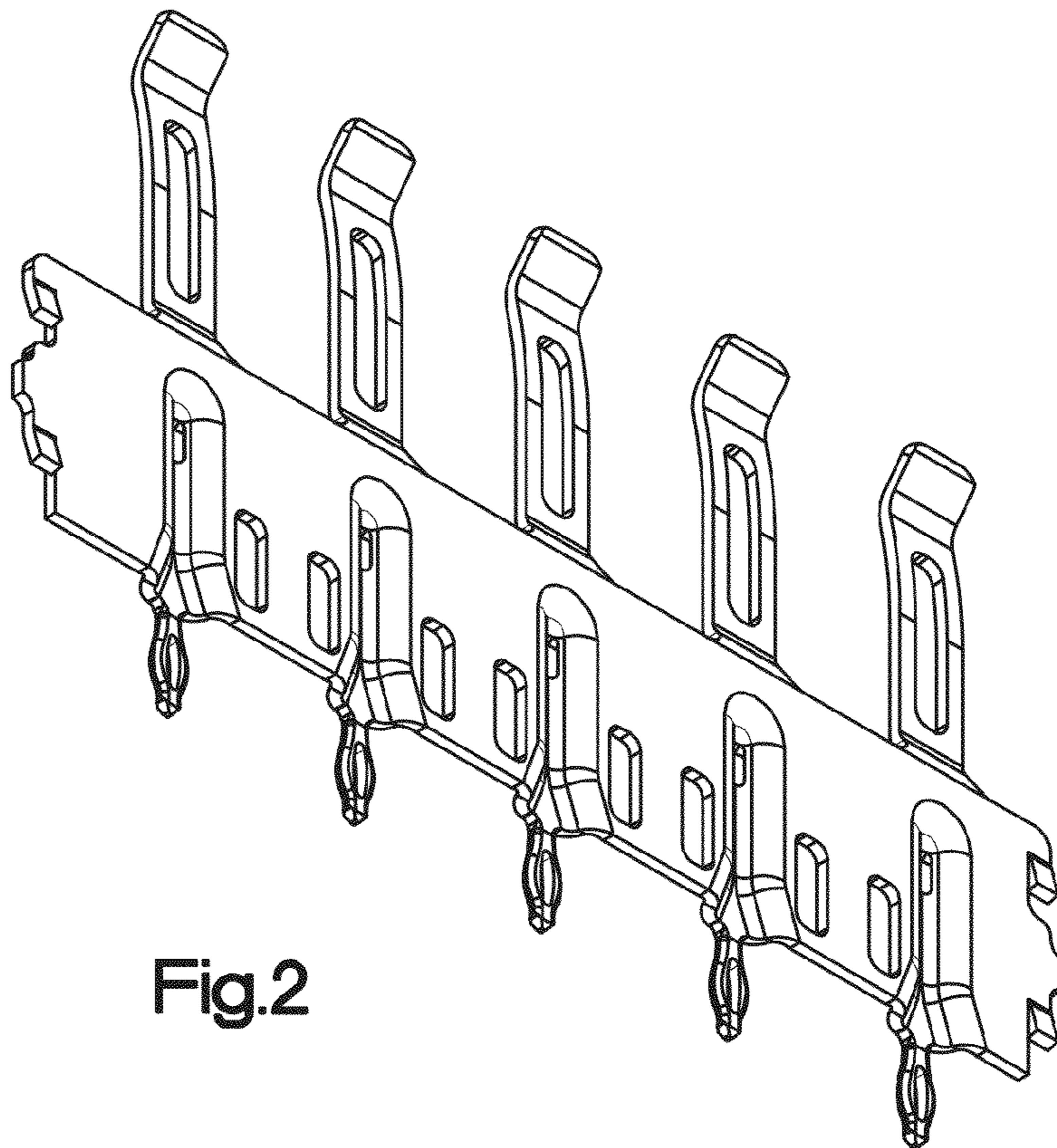


Fig.2



Fig.3



Fig.4

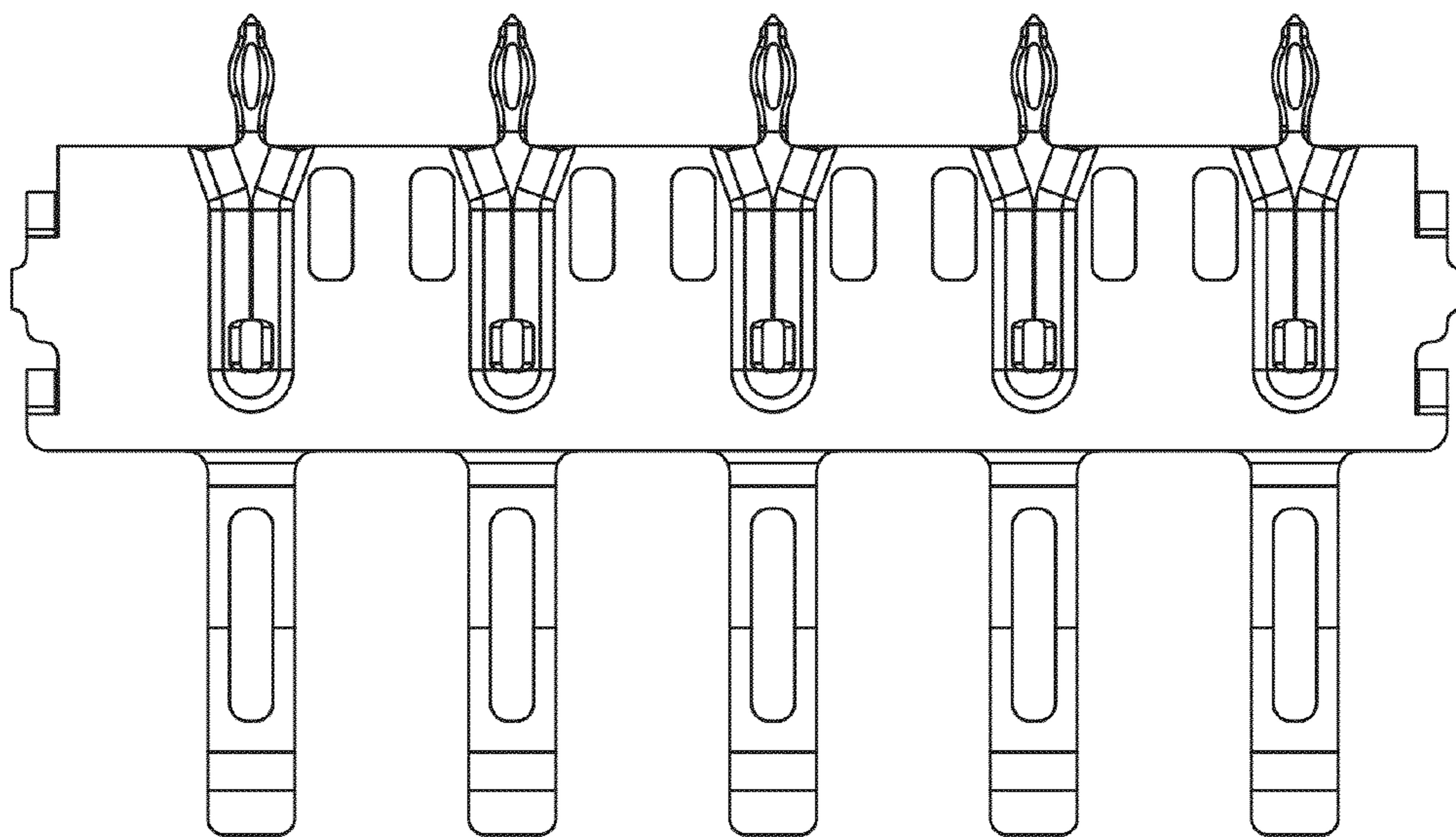


Fig.5

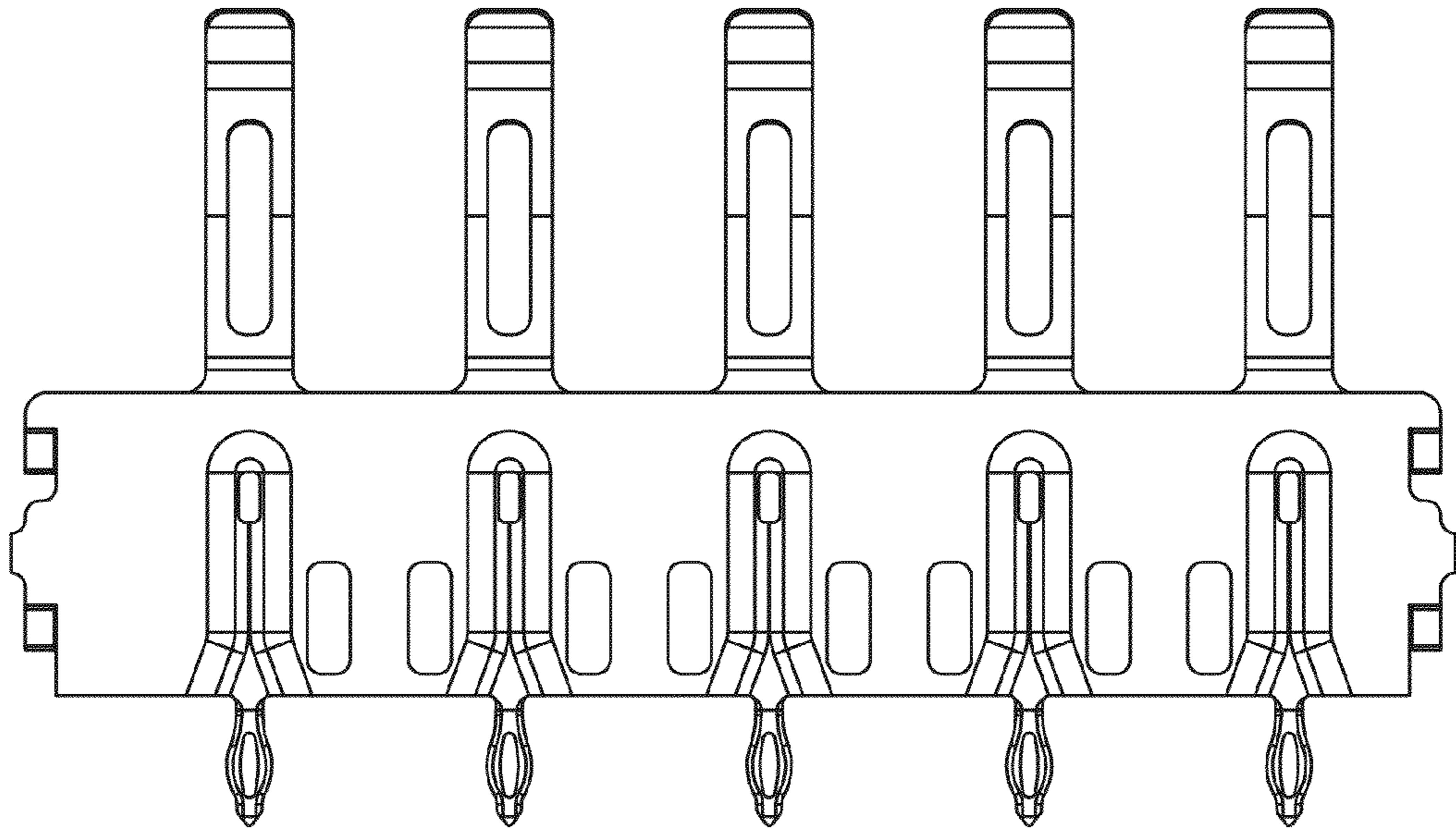


Fig.6



Fig.7



Fig.8

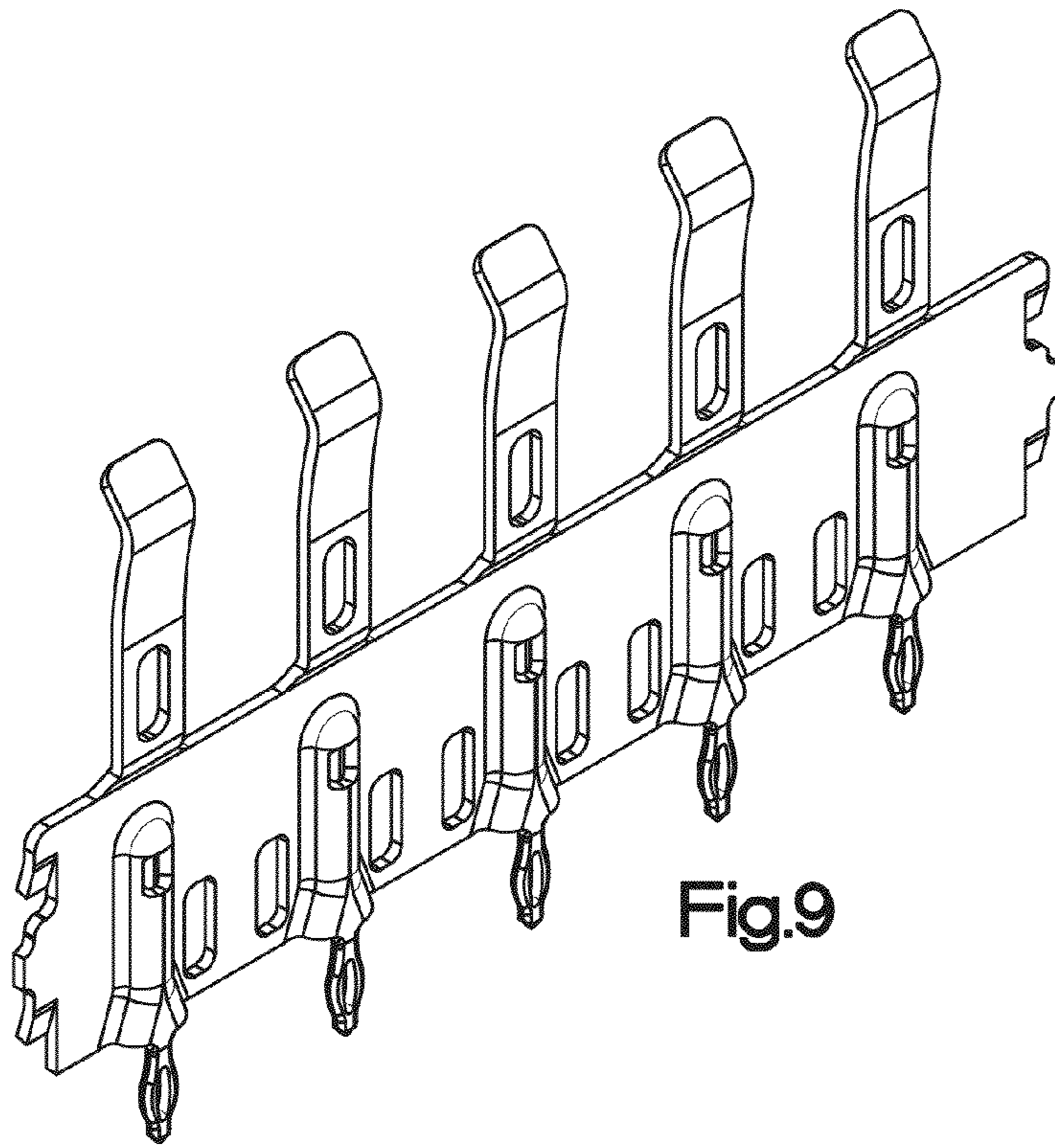


Fig.9

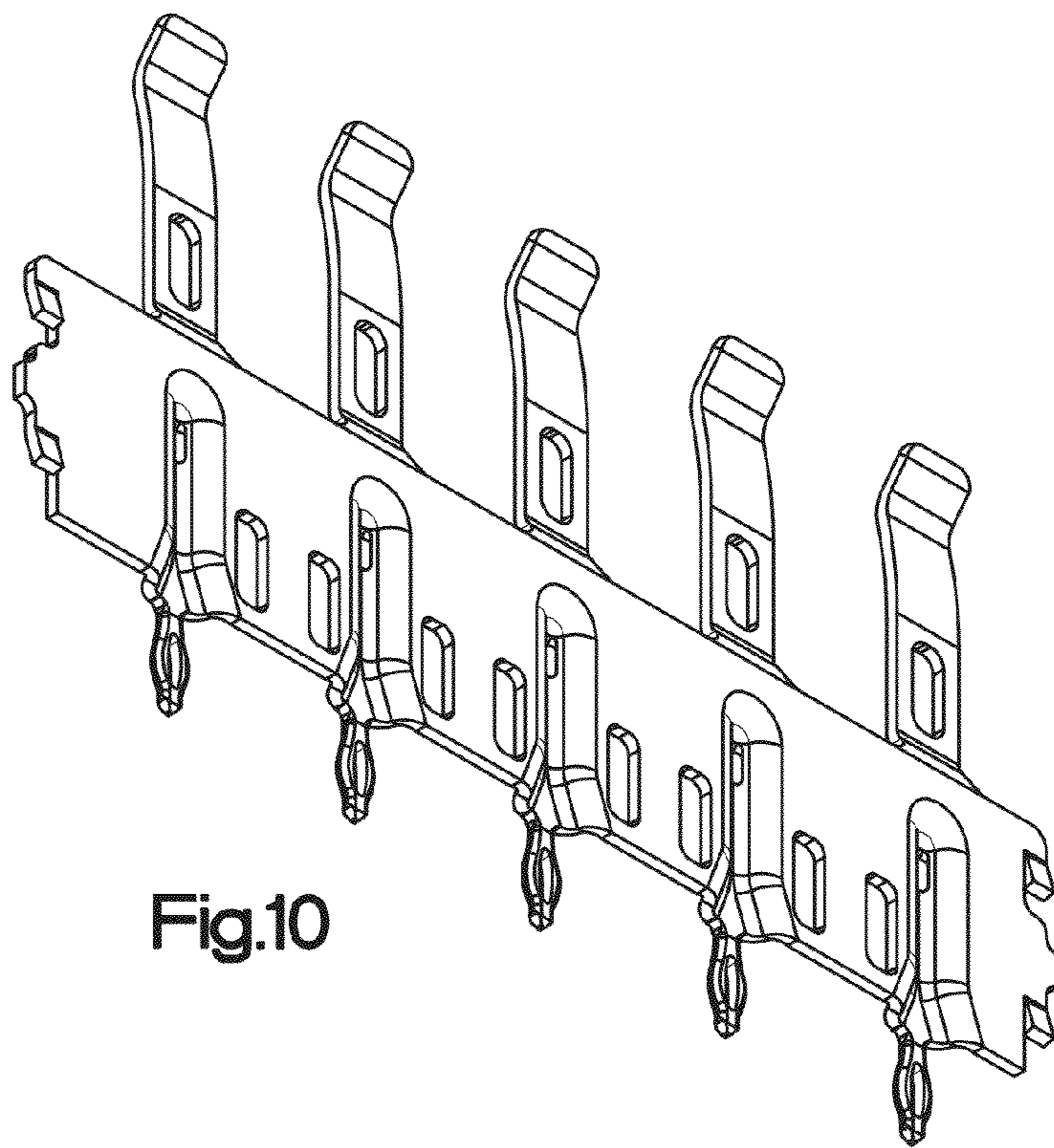


Fig.10



Fig.11



Fig.12

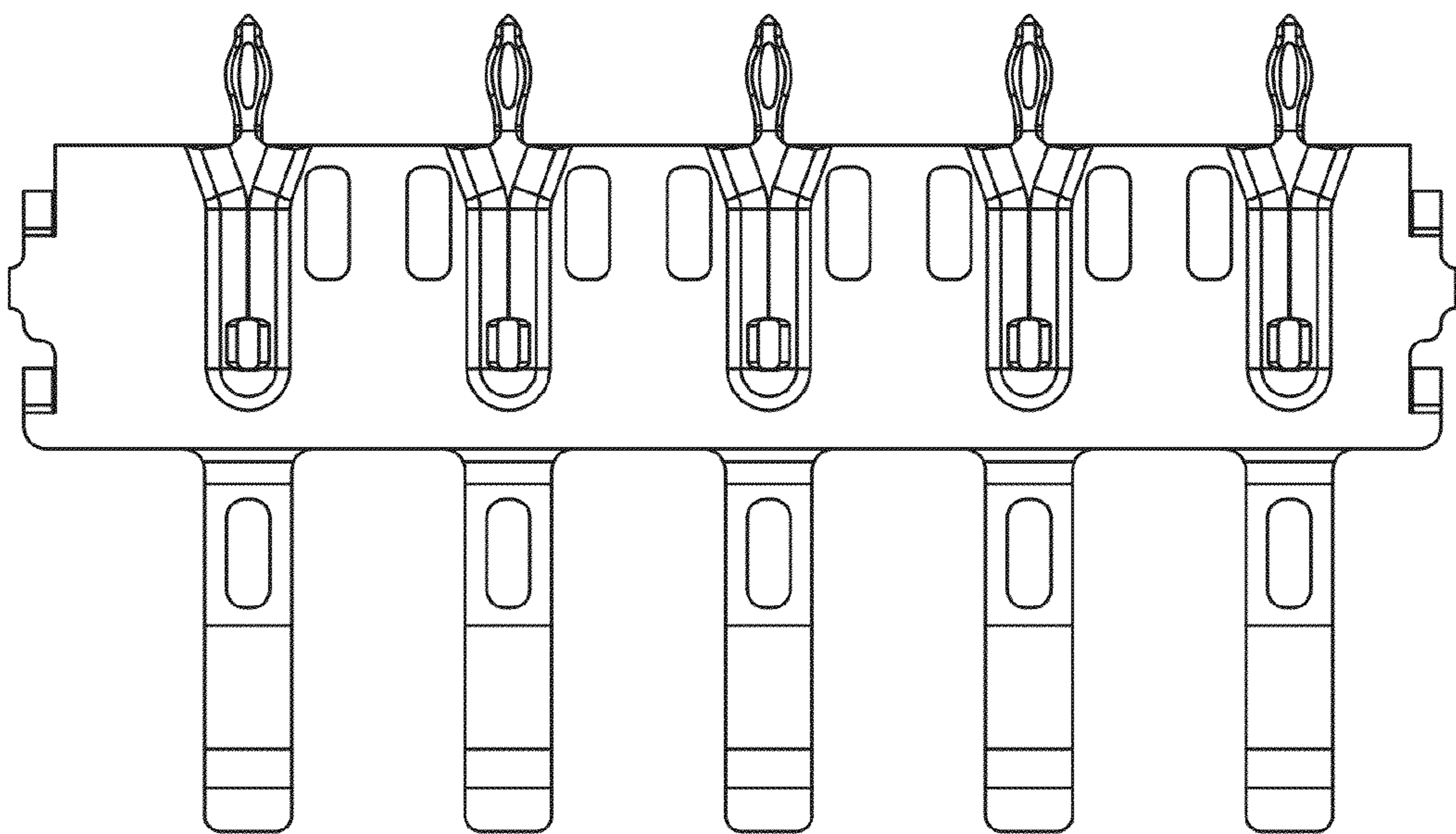


Fig.13

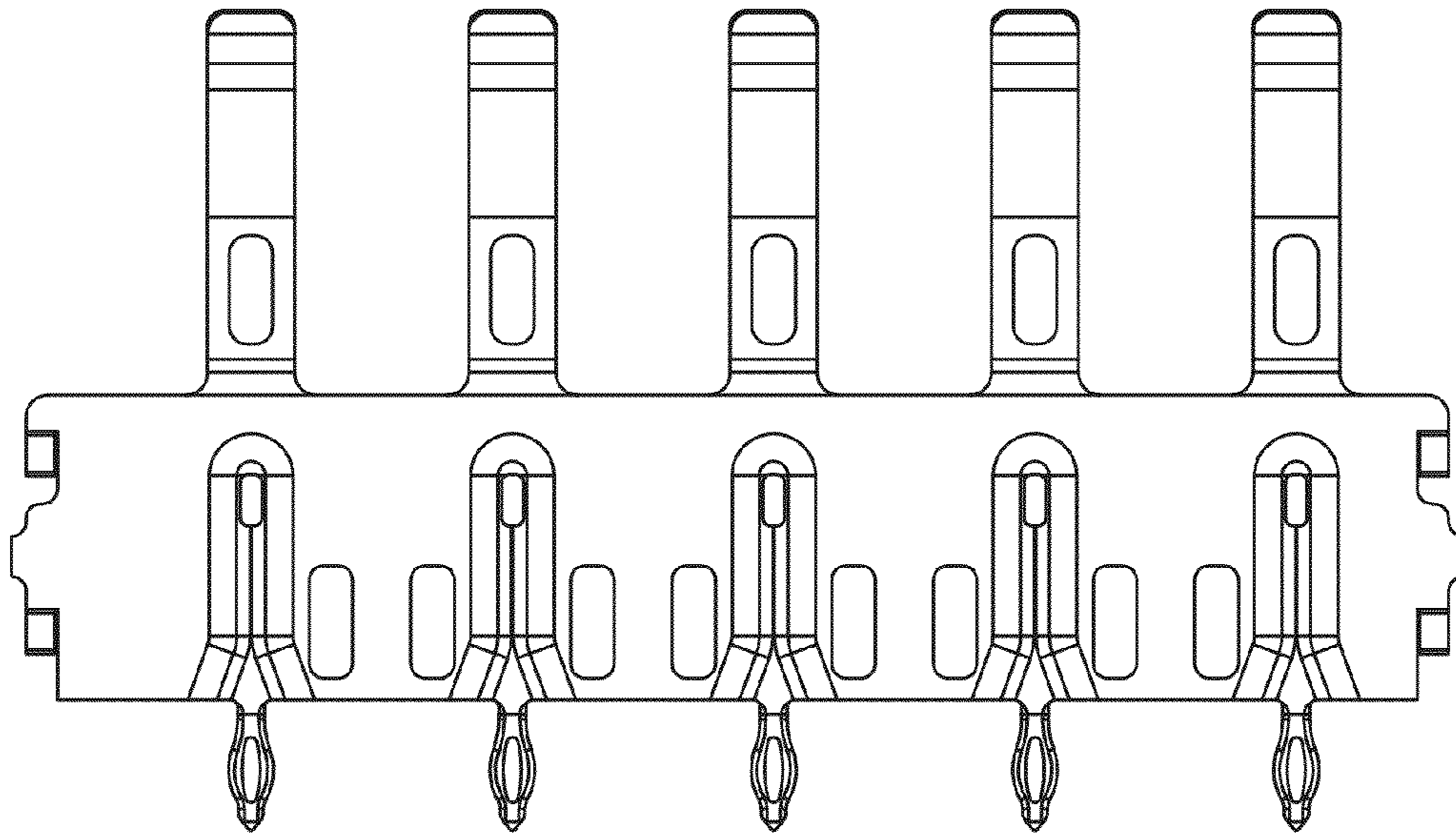


Fig.14



Fig.15



Fig.16

UNITED STATES PATENT AND TRADEMARK OFFICE
CERTIFICATE OF CORRECTION

PATENT NO. : D714,227 S
APPLICATION NO. : 29/445588
DATED : September 30, 2014
INVENTOR(S) : Buck et al.

Page 1 of 1

It is certified that error appears in the above-identified patent and that said Letters Patent is hereby corrected as shown below:

On the title page at DESCRIPTION, insert the following paragraph:

--In a preferred embodiment, the nature of this product is an electrical component that can take the form of a ground plate for an electrical connector.--

Signed and Sealed this
Thirtieth Day of December, 2014



Michelle K. Lee
Deputy Director of the United States Patent and Trademark Office