



US00D714226S

(12) **United States Design Patent**
Chang et al.

(10) **Patent No.:** **US D714,226 S**

(45) **Date of Patent:** **** Sep. 30, 2014**

(54) **CABLE END CONNECTOR**

(71) Applicant: **Alltop Electronics (Suzhou) Ltd.**,
Taicang (CN)

(72) Inventors: **I-Wei Chang**, Jhonghe (TW); **Hung-Chi Tai**, Jhonghe (TW); **Yong-Gang Zhang**,
Taicang (CN)

(73) Assignee: **Alltop Electronics (Suzhou) Ltd.**,
Taicang (CN)

(**) Term: **14 Years**

(21) Appl. No.: **29/443,762**

(22) Filed: **Jan. 22, 2013**

(51) **LOC (10) Cl.** **13-03**

(52) **U.S. Cl.**
USPC **D13/147**

(58) **Field of Classification Search**
USPC D13/133, 146, 147, 153, 154, 156, 157,
D13/184, 199; D14/432, 433, 435, 435.1,
D14/438; 345/156; 361/58, 814; 439/38-40,
439/66, 74, 77, 79, 887, 892, 894, 129-130,
439/135, 146, 149-150, 176-177, 180, 188,
439/217-218, 225, 246, 252, 278-279,
439/290-291, 329, 344-346, 350-353,
439/357-358, 374, 378, 381, 476.1, 607.01,
439/607.04, 607.5, 607.6, 607.17, 607.21,
439/607.23, 607.25, 607.34, 607.41,
439/607.53, 623, 660, 668, 677, 678, 680,
439/682, 874, 883

See application file for complete search history.

(56) **References Cited**

U.S. PATENT DOCUMENTS

4,838,808 A *	6/1989	Fujiura	439/357
D455,401 S *	4/2002	Goto	D13/147
D589,888 S *	4/2009	Wu et al.	D13/147
D671,075 S *	11/2012	Yang et al.	D13/147
D694,187 S *	11/2013	Kasai	D13/133

* cited by examiner

Primary Examiner — Daniel Bui

(74) *Attorney, Agent, or Firm* — Sughrue Mion, PLLC

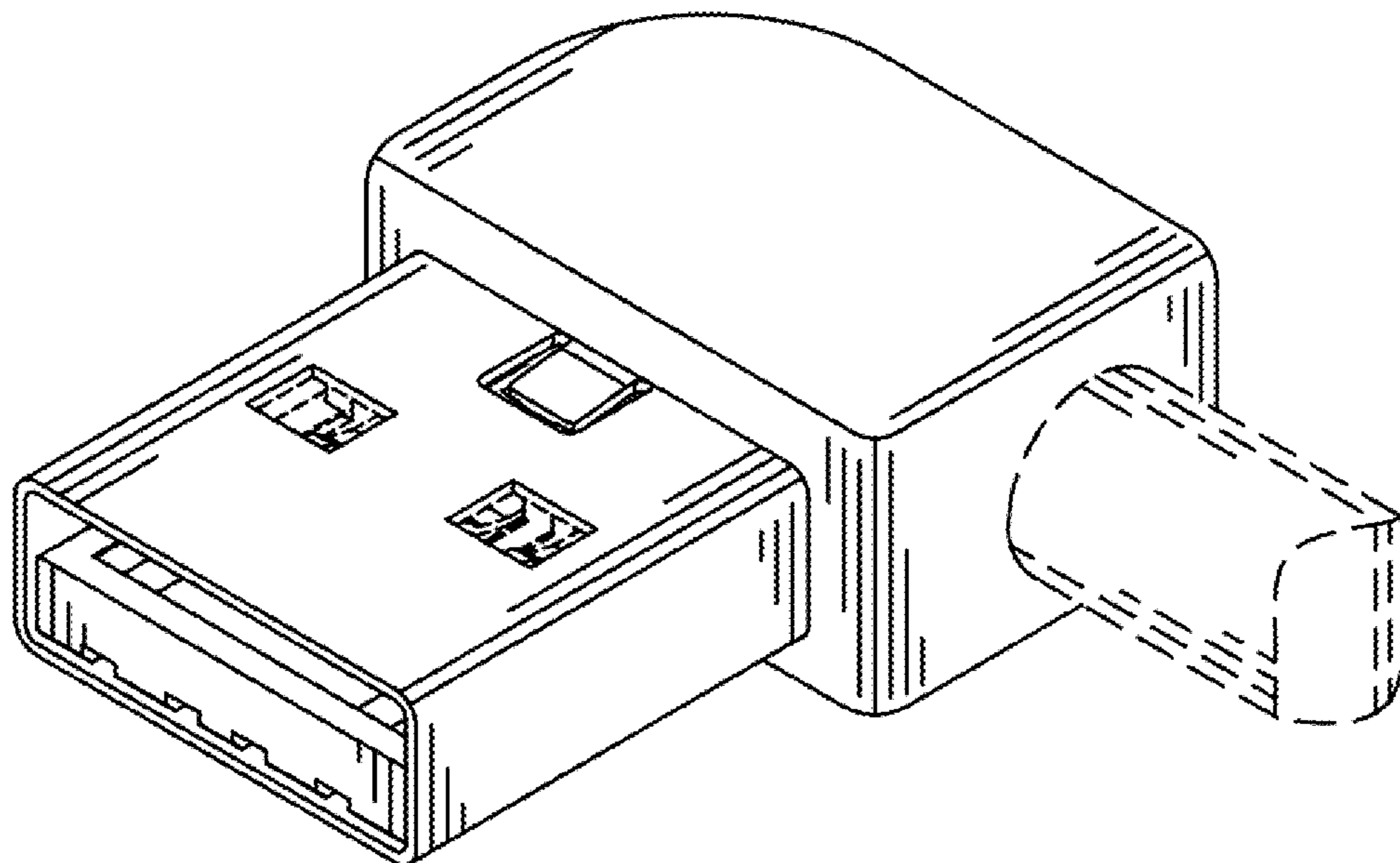
(57) **CLAIM**

The ornamental design for a cable end connector, as shown and described.

DESCRIPTION

FIG. 1 is a top, front and right perspective view of a cable end connector showing our new design; FIG. 2 is a front elevation view thereof; FIG. 3 is rear elevation view thereof; FIG. 4 is a left side elevation view thereof; FIG. 5 is a right side elevation view thereof; FIG. 6 is a top plan view thereof; and, FIG. 7 is a bottom plan view thereof. The broken lines in the drawings are included for the purpose of illustrating environment and form no part of the claimed design.

1 Claim, 4 Drawing Sheets



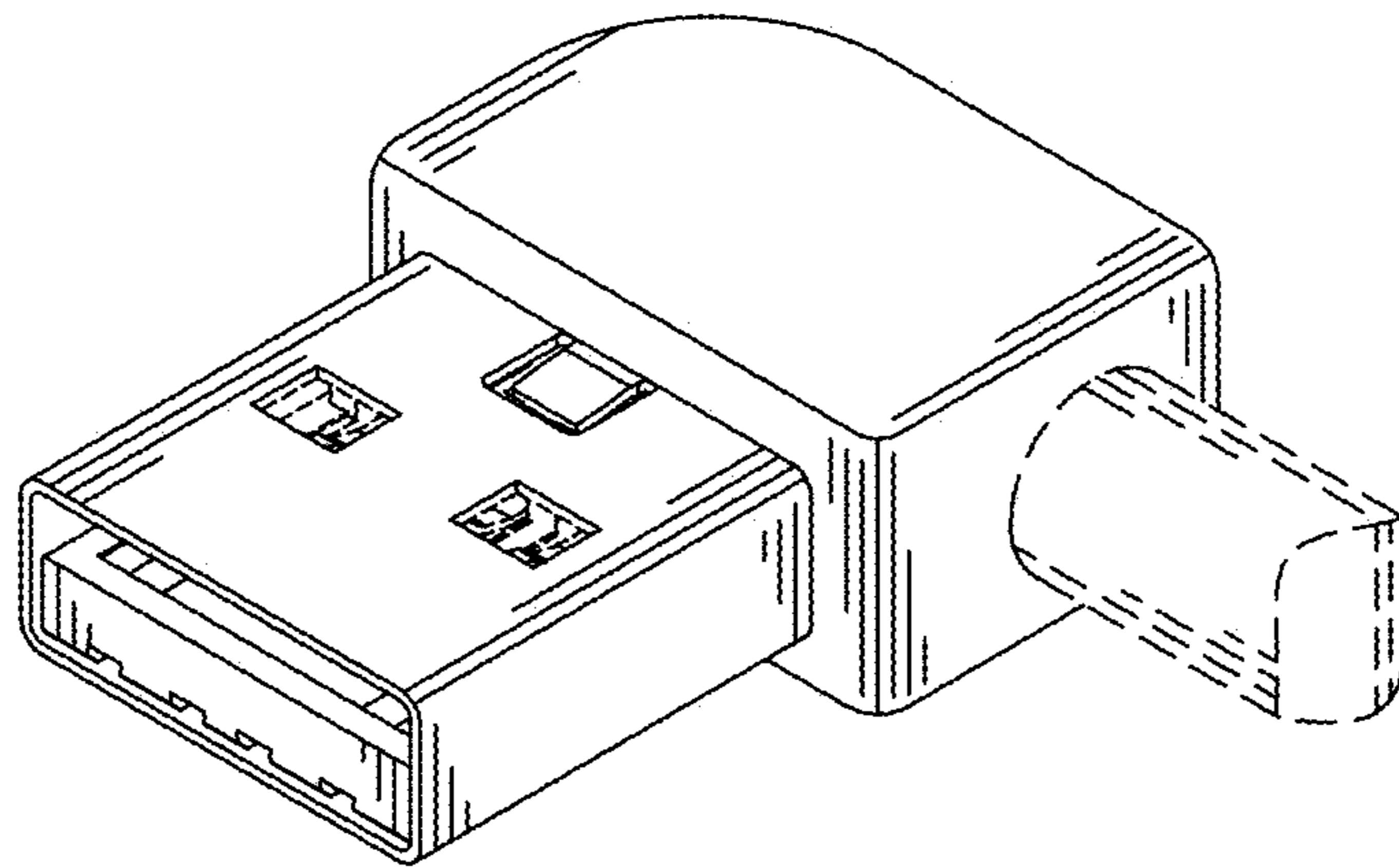


FIG. 1

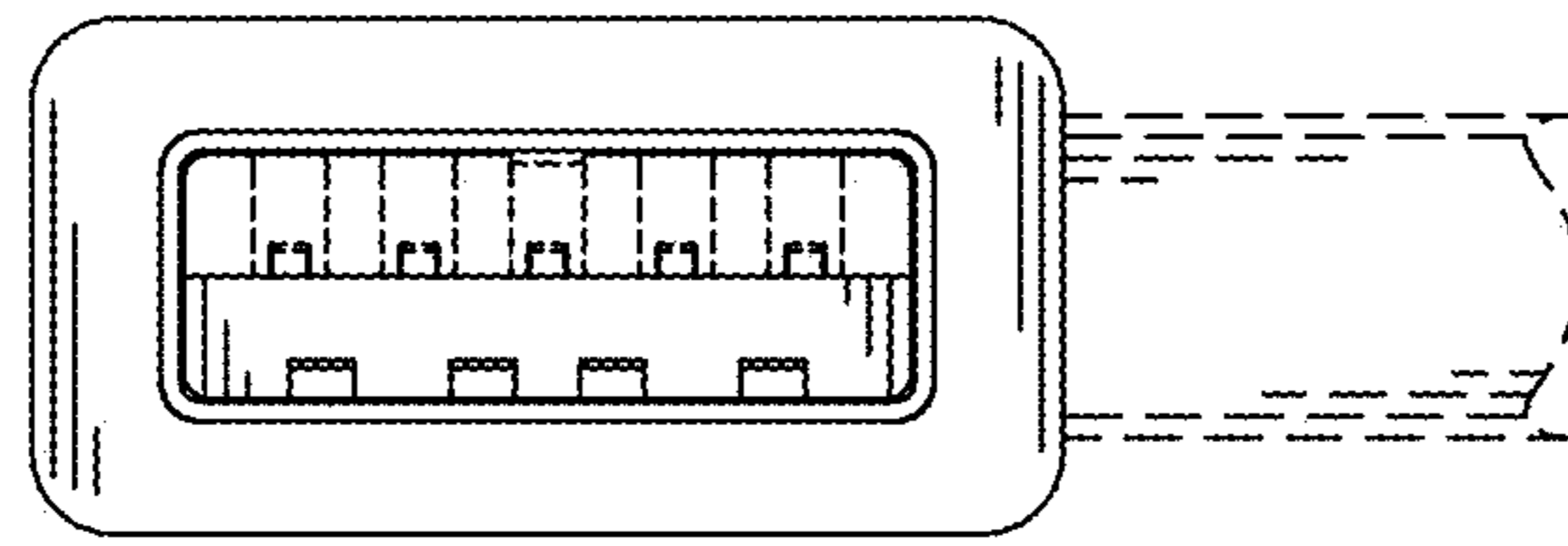


FIG. 2

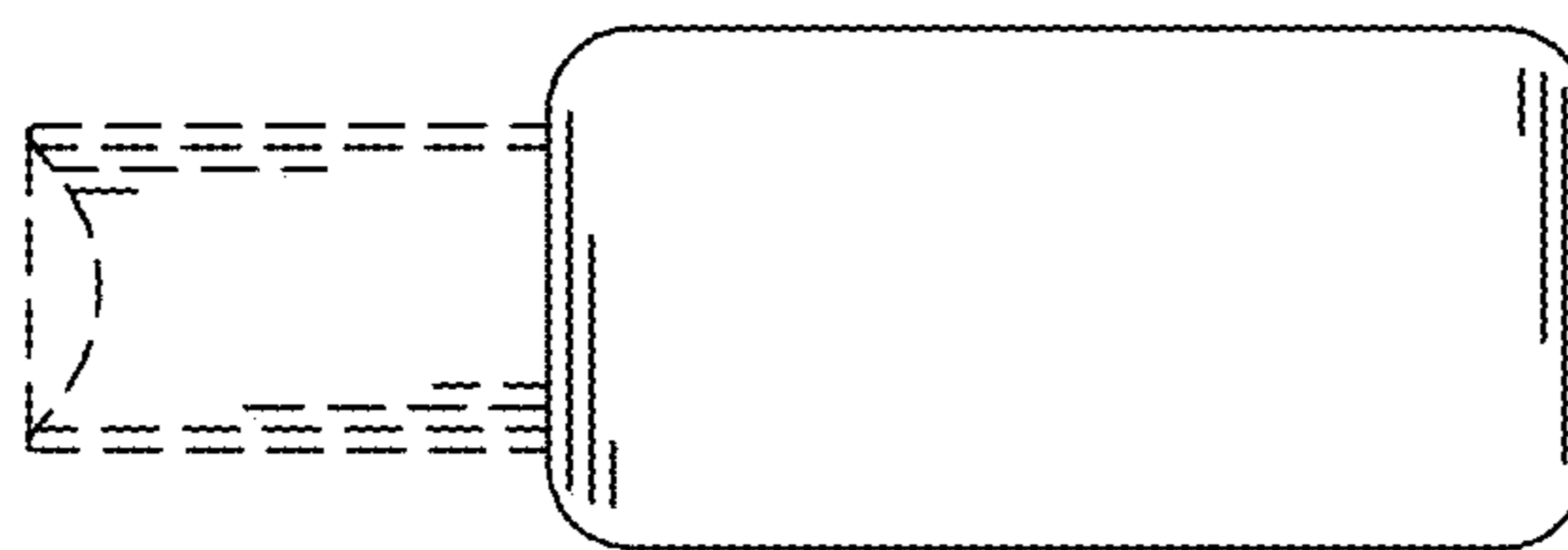


FIG. 3

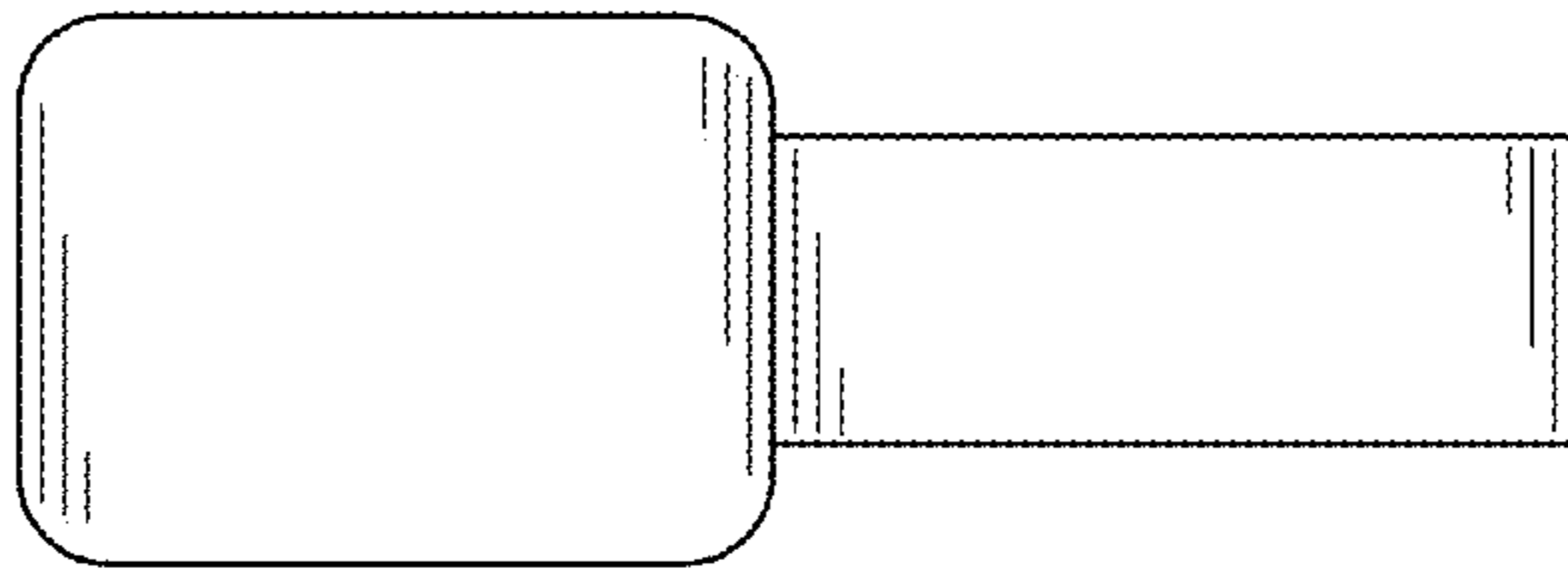


FIG. 4

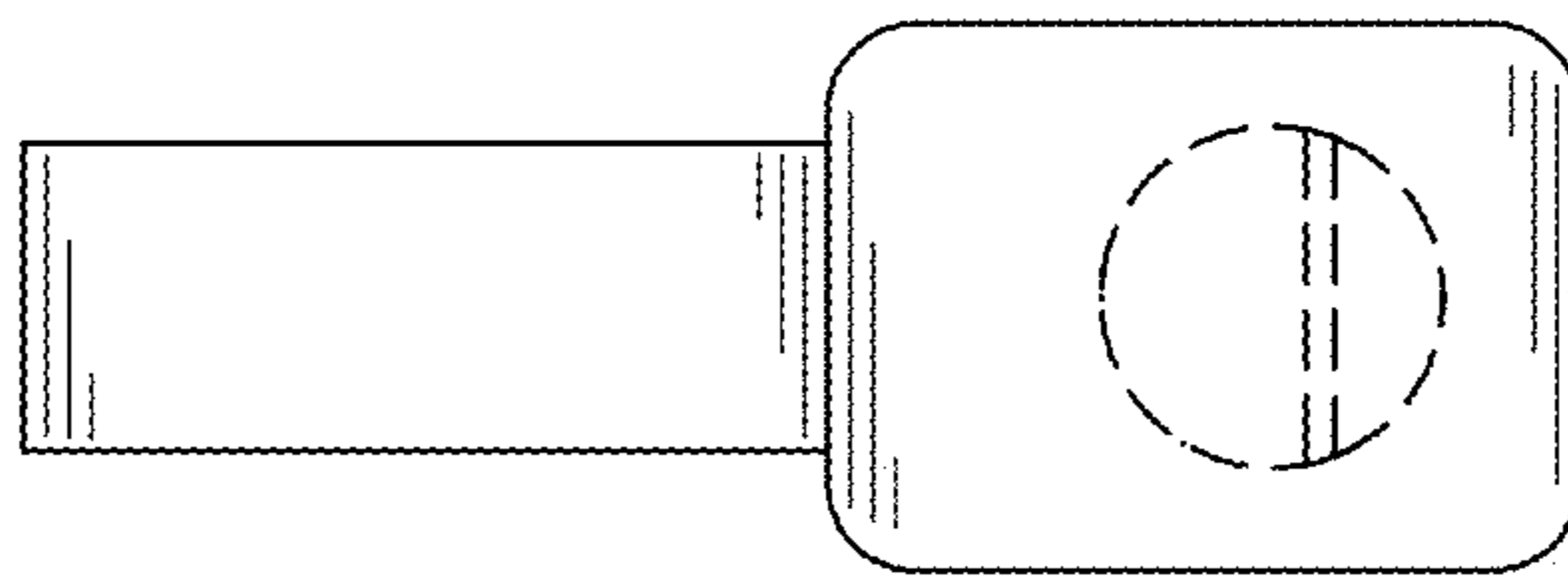


FIG. 5

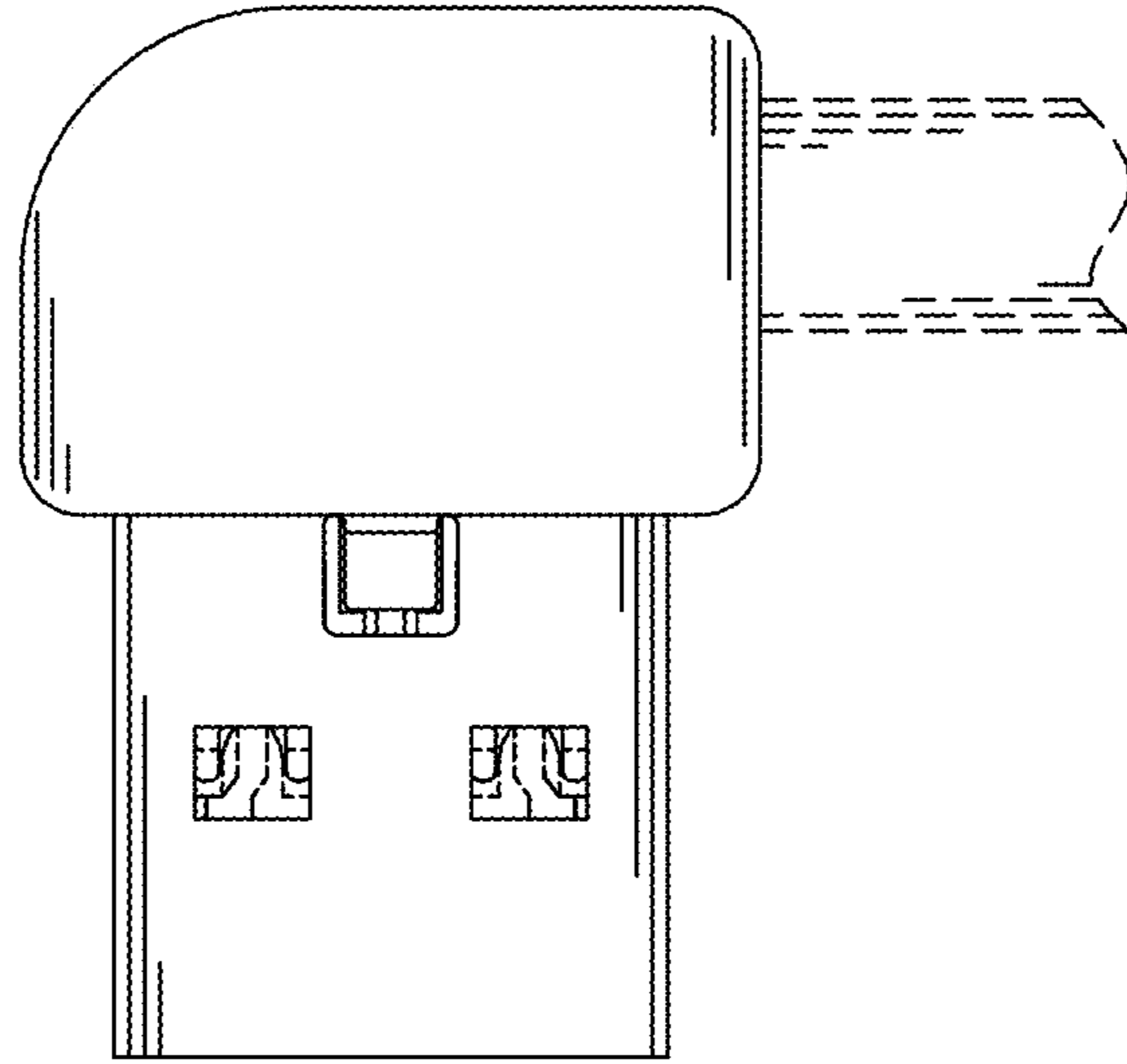


FIG. 6

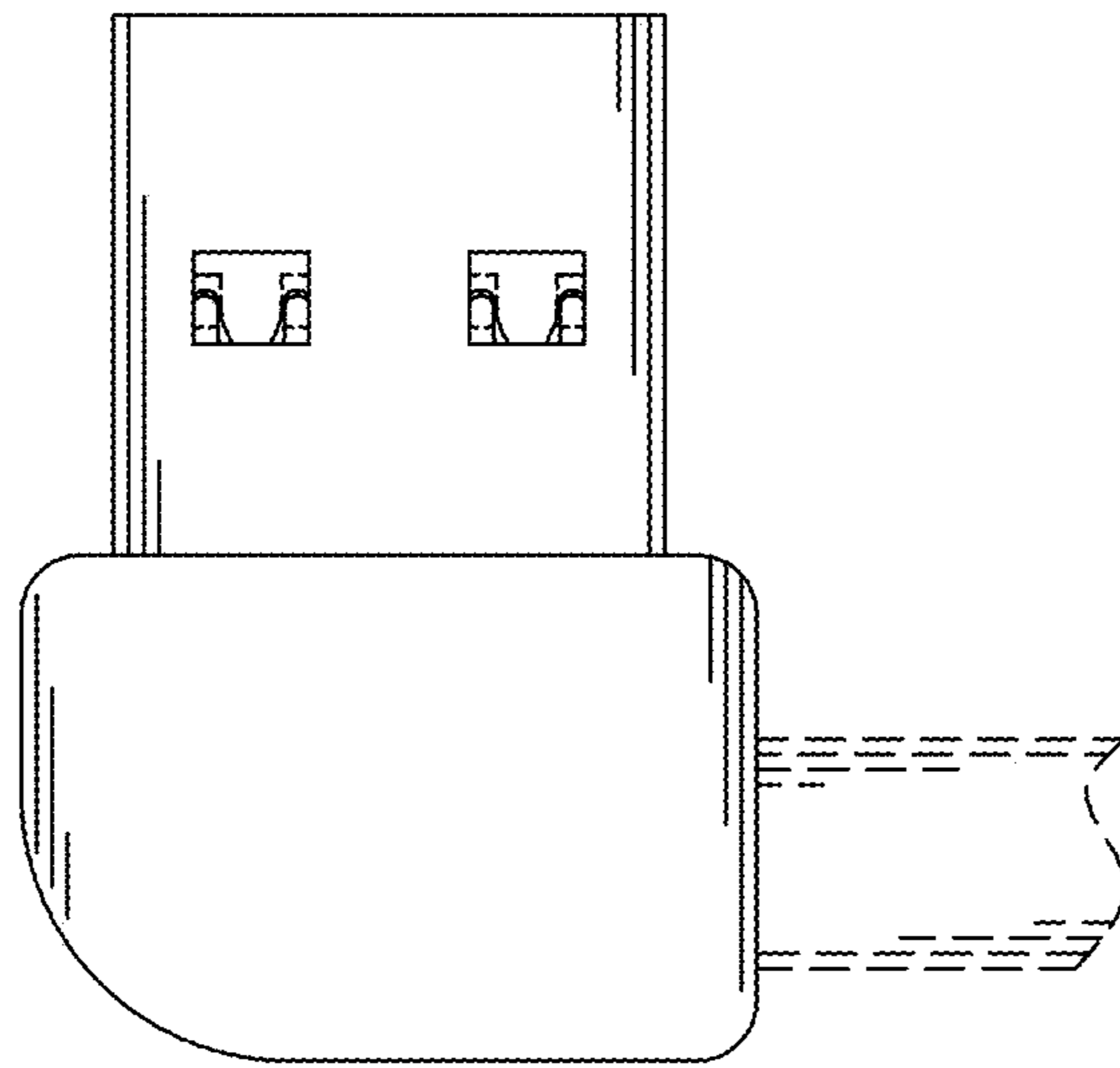


FIG. 7