



US00D714221S

(12) **United States Design Patent**
Neiser

(10) **Patent No.:** **US D714,221 S**

(45) **Date of Patent:** **** Sep. 30, 2014**

(54) **OUTLET ACCESSORY**

(71) Applicant: **Gabe Neiser**, Port Jefferson Station, NY
(US)

(72) Inventor: **Gabe Neiser**, Port Jefferson Station, NY
(US)

(**) Term: **14 Years**

(21) Appl. No.: **29/437,990**

(22) Filed: **Nov. 23, 2012**

(51) **LOC (10) Cl.** **13-03**

(52) **U.S. Cl.**
USPC **D13/139.8**

(58) **Field of Classification Search**
USPC D13/139.8, 139.5, 137.1, 139.6, 152,
D13/162, 156, 171, 158, 170, 177, 138.2,
D13/138.1, 139.2, 137.3, 139.1, 139.4;
174/66, 37-38; 200/5 A, 5 R, 1 B;
338/201-202; 361/118, 602, 622, 641,
361/644, 660, 679.05

See application file for complete search history.

(56) **References Cited**

U.S. PATENT DOCUMENTS

D405,763 S * 2/1999 Crane et al. D13/139.4
D440,204 S * 4/2001 Echito D13/139.1

D441,717 S * 5/2001 Echito D13/139.1
D463,775 S * 10/2002 Byrne D13/139.4
D633,871 S * 3/2011 Akahori D13/139.4
D637,556 S * 5/2011 Akahori D13/139.4
D640,633 S * 6/2011 Akahori D13/139.4

* cited by examiner

Primary Examiner — Ian Simmons

Assistant Examiner — Rhea Shields

(74) *Attorney, Agent, or Firm* — Tutunjian & Bitetto, P.C.

(57) **CLAIM**

The ornamental design for an outlet accessory, as shown and described.

DESCRIPTION

FIG. 1 is a perspective view of the outlet accessory showing my new design;

FIG. 2 is a front view thereof;

FIG. 3 is a right side view thereof;

FIG. 4 is left side view thereof;

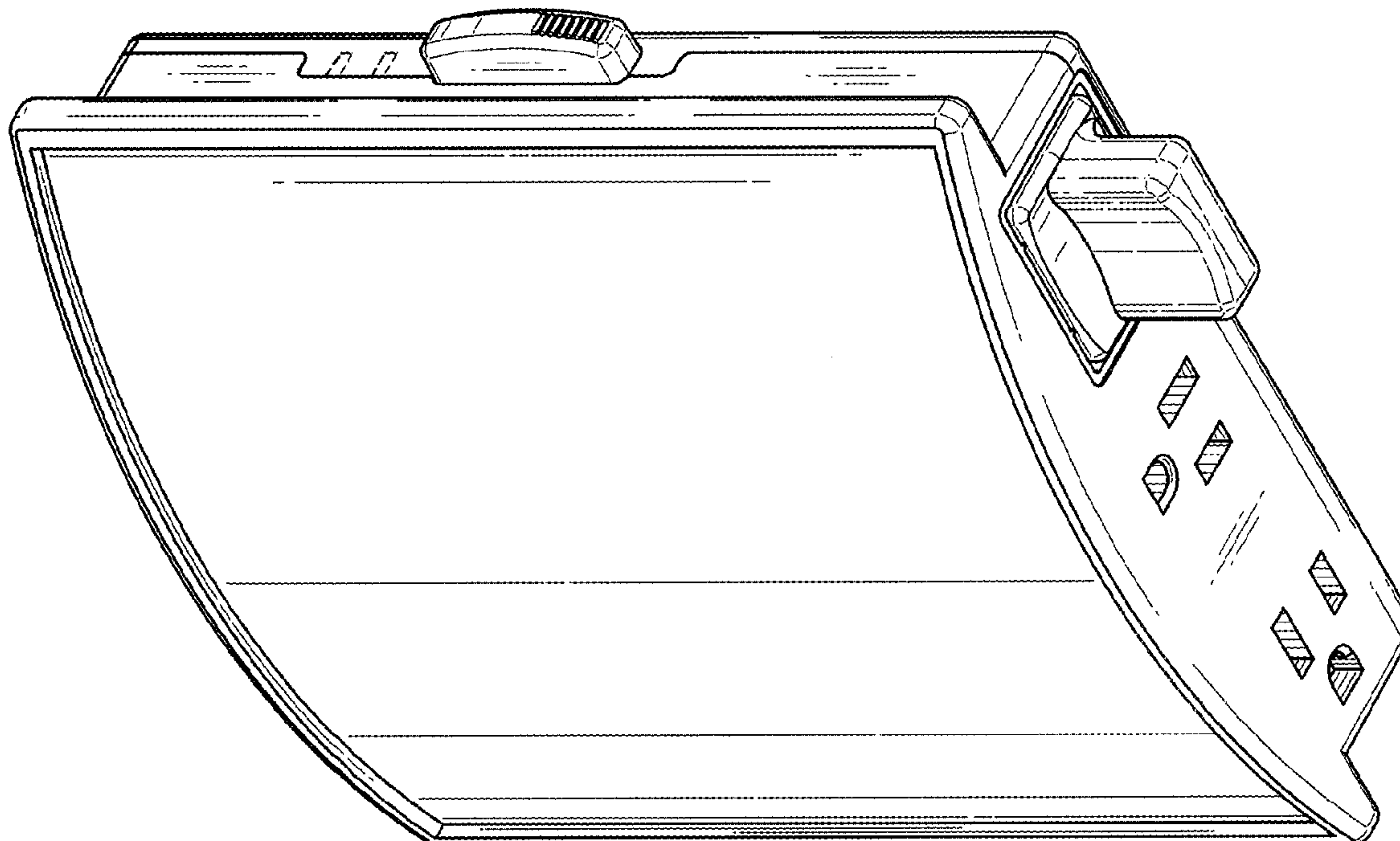
FIG. 5 is a bottom side view thereof;

FIG. 6 is a top view thereof; and,

FIG. 7 is a rear view thereof.

The broken lines in the figures represent unclaimed environment only and form no part of the claimed design.

1 Claim, 5 Drawing Sheets



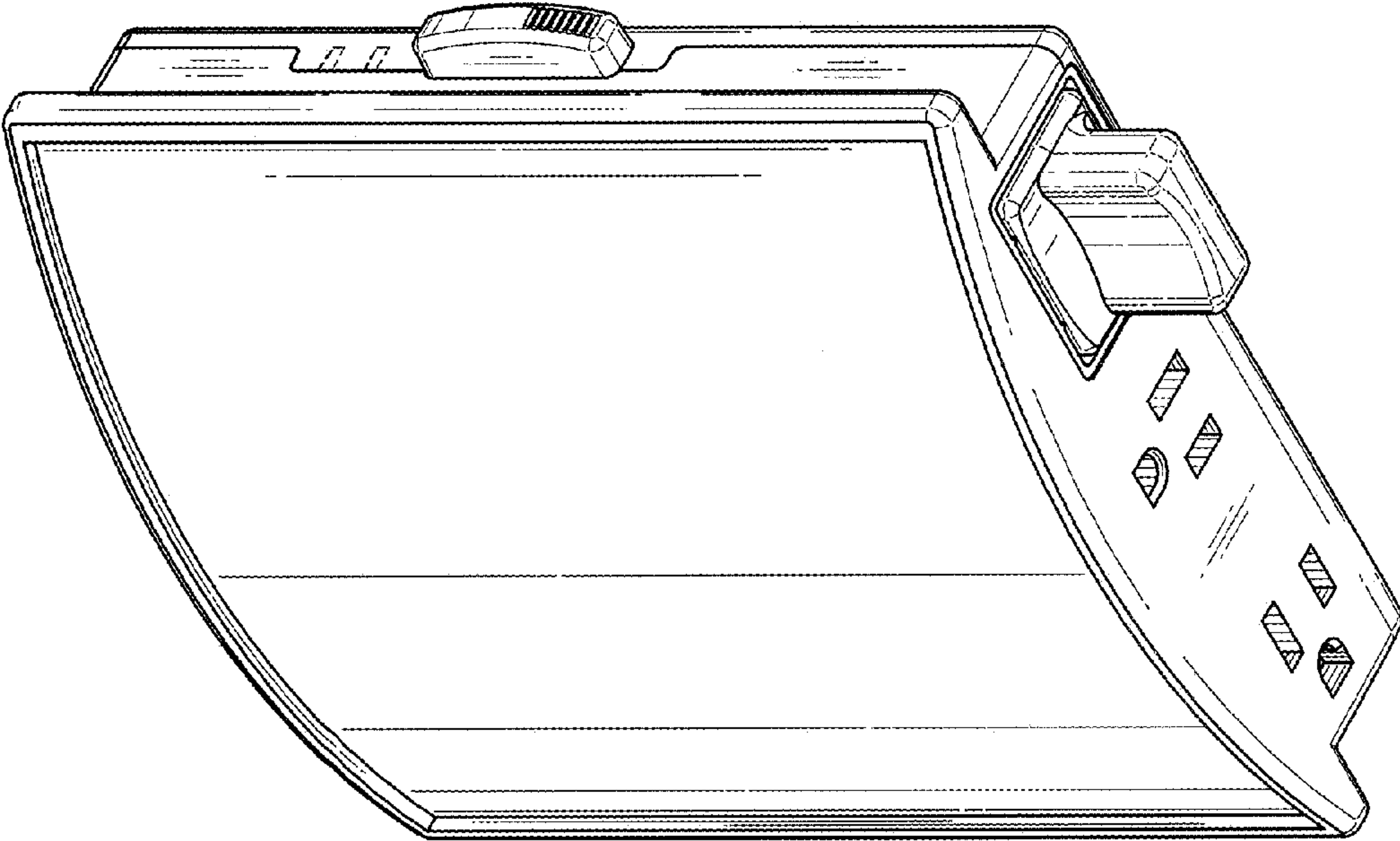


FIG. 1

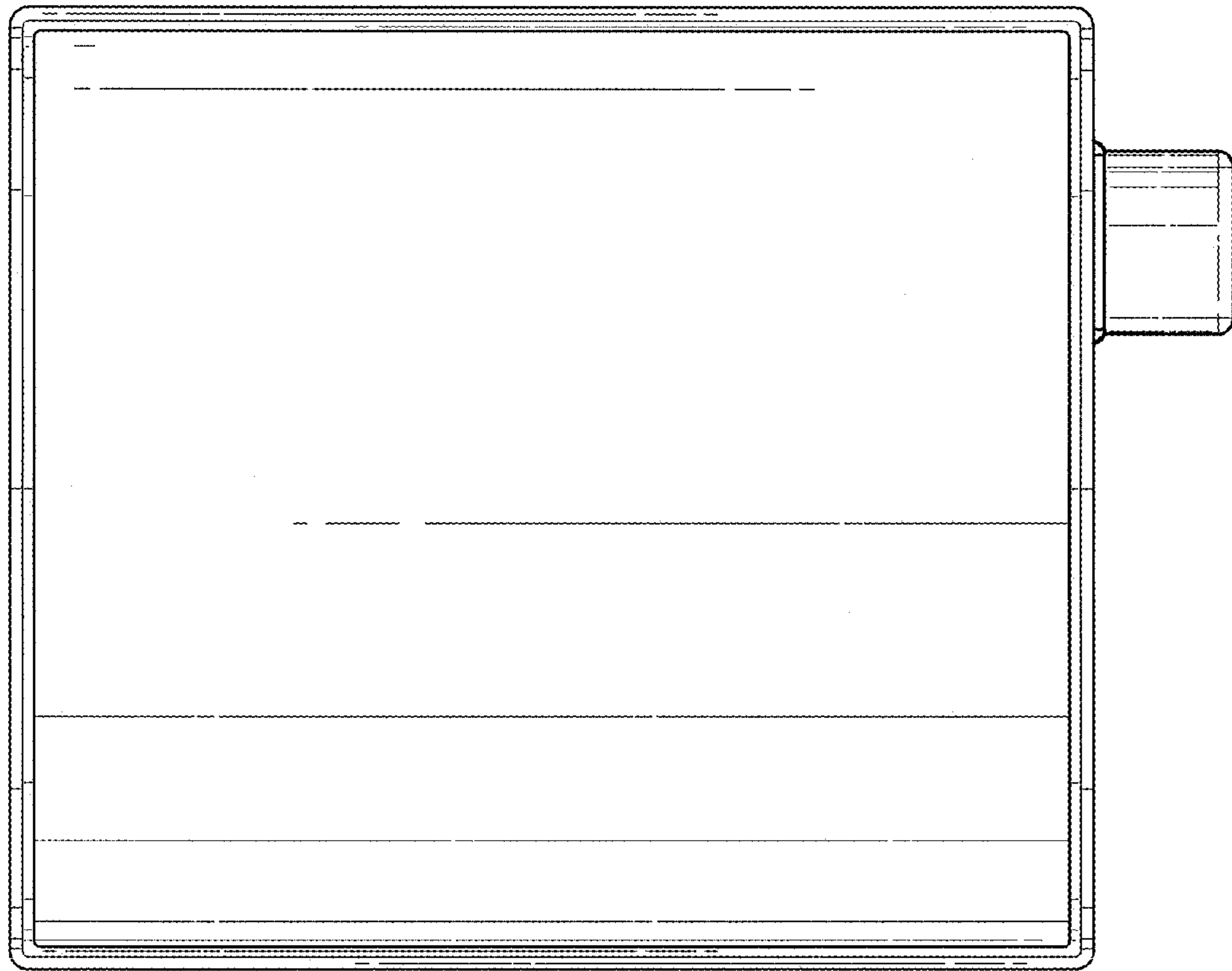


FIG. 2

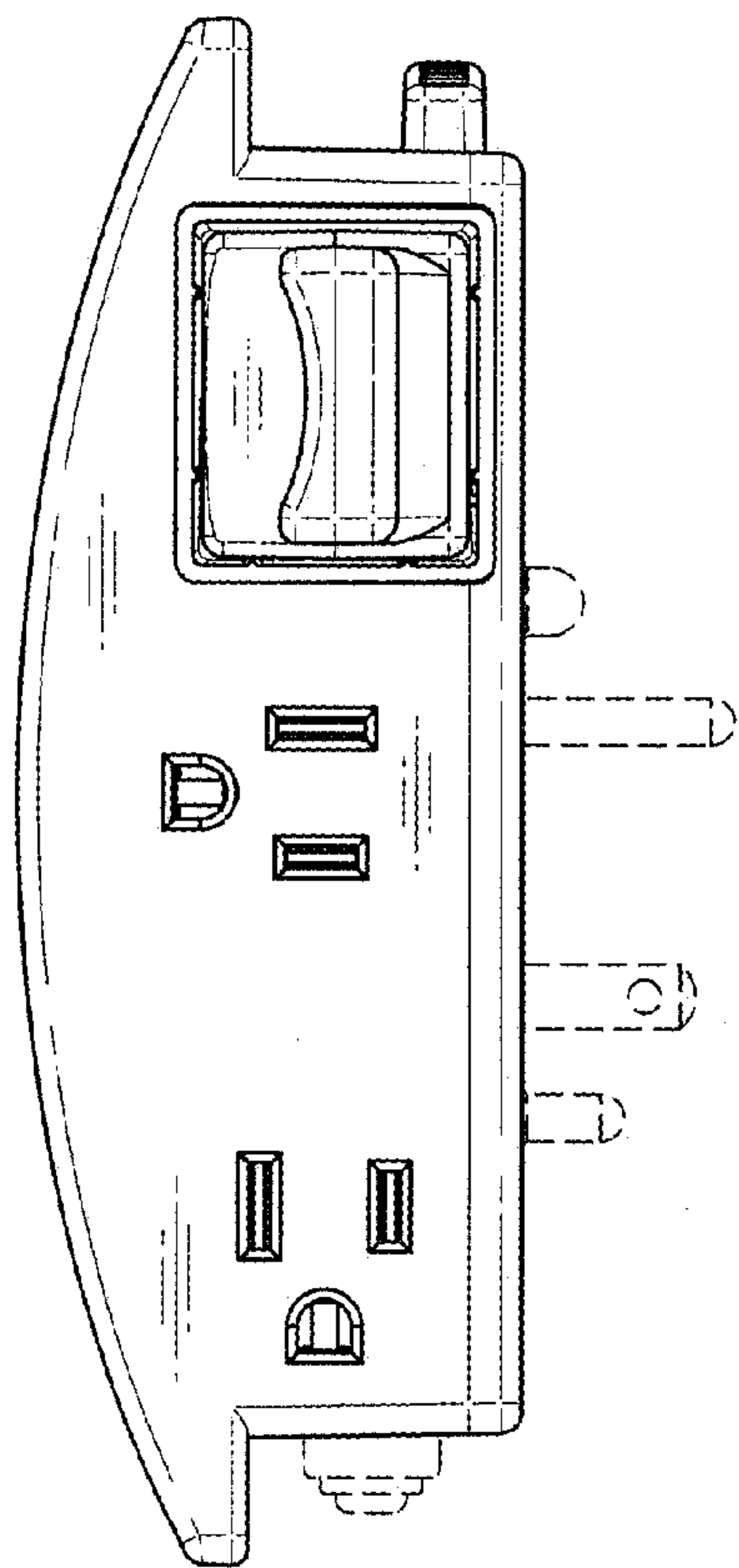


FIG. 3

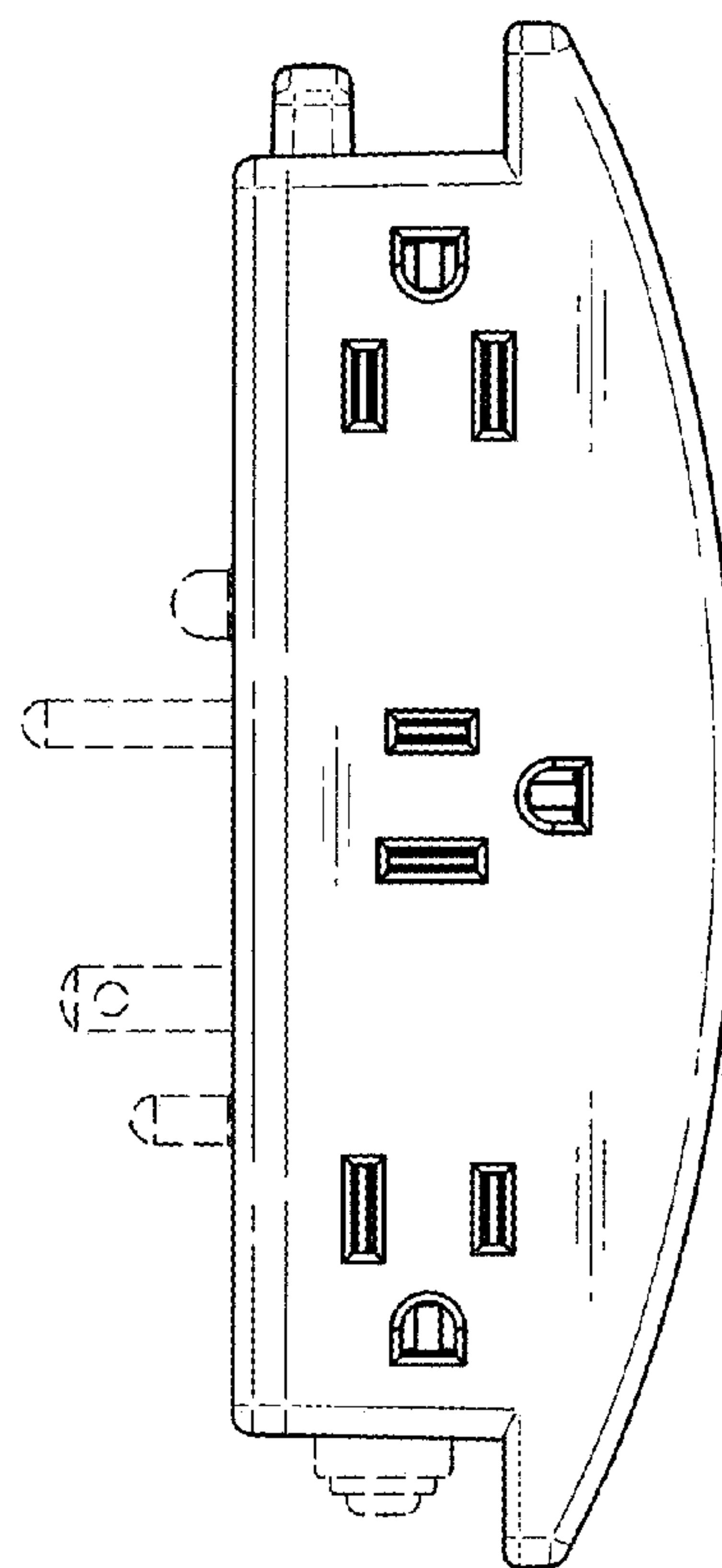


FIG. 4

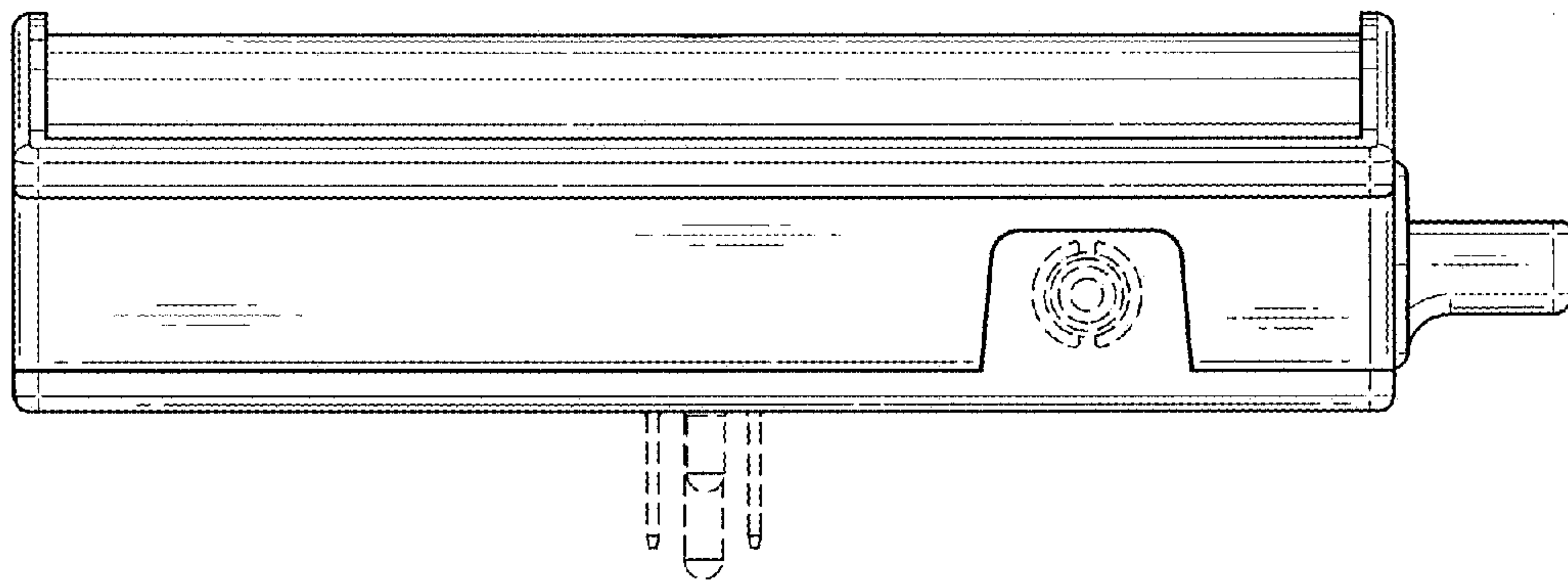


FIG. 5

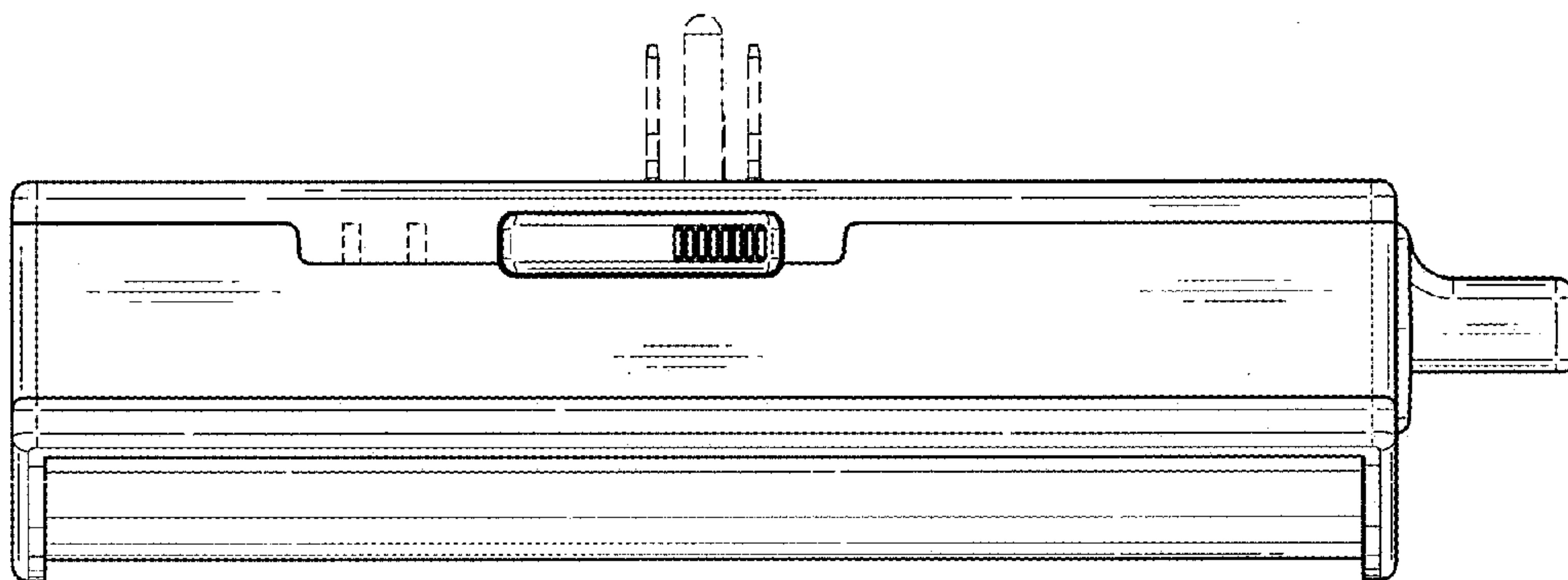


FIG. 6

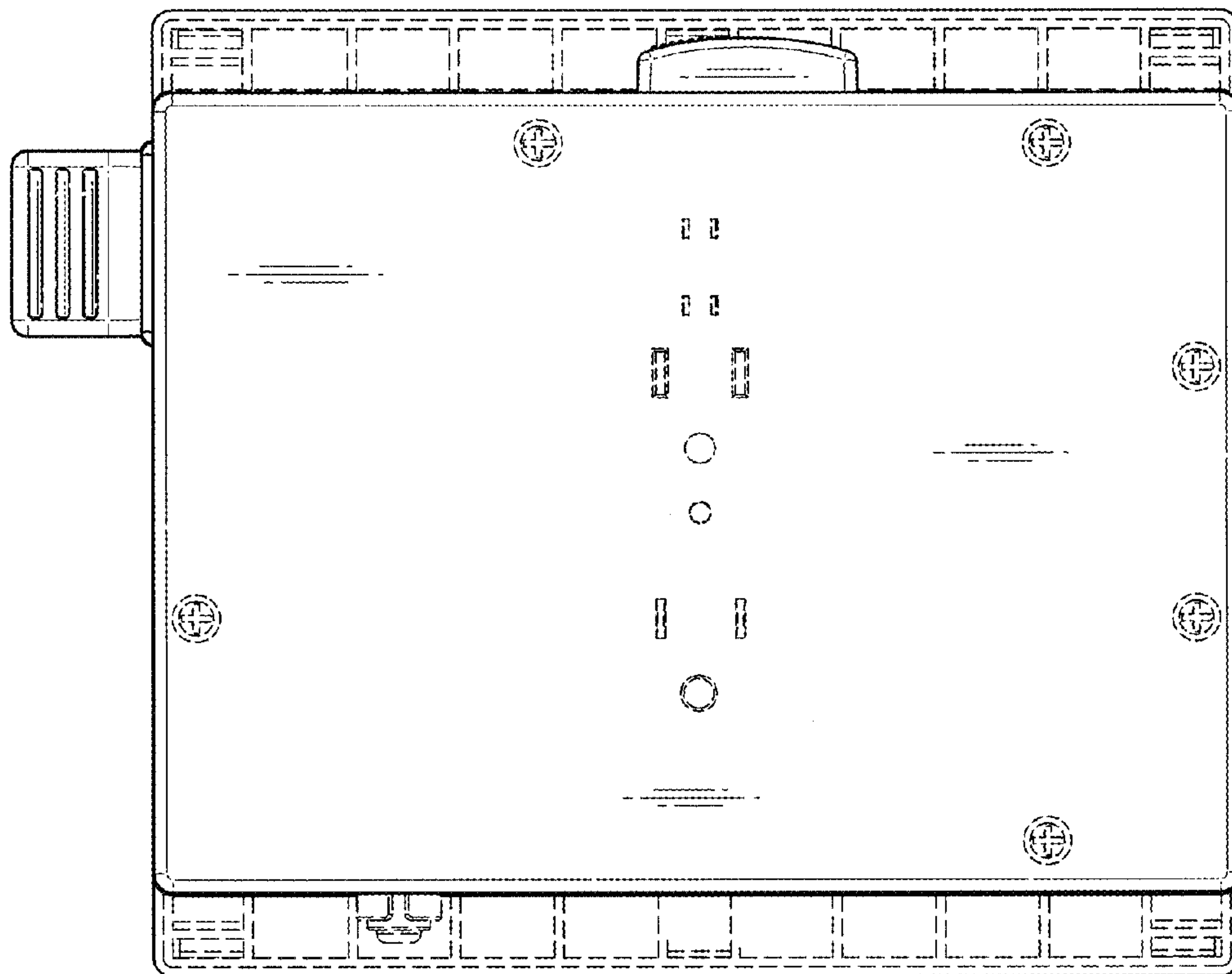


FIG. 7