



US00D714220S

(12) **United States Design Patent**
Izen et al.

(10) **Patent No.:** **US D714,220 S**
(45) **Date of Patent:** **** Sep. 30, 2014**

(54) **HOUSING FOR CABLE CONNECTOR**

(71) Applicant: **First Act Inc.**, Boston, MA (US)

(72) Inventors: **Mark S. Izen**, Chesnut Hill, MA (US);
Craig Small, Framingham, MA (US)

(73) Assignee: **First Act, Inc.**, Boston, MA (US)

(**) Term: **14 Years**

(21) Appl. No.: **29/444,258**

(22) Filed: **Jan. 29, 2013**

Related U.S. Application Data

(63) Continuation of application No. 29/410,563, filed on Jan. 9, 2012, now Pat. No. Des. 678,199.

(51) **LOC (10) Cl.** **13-03**

(52) **U.S. Cl.**
USPC **D13/133**

(58) **Field of Classification Search**

CPC .. H01R 13/6392; H01R 13/585; H01R 13/62;
H01R 3/00; H01R 2004/00; H01R 2101/00;
H01R 2103/00

USPC D13/120, 133, 146, 147, 149, 151, 154,
D13/184, 199; 439/180, 246, 252, 278, 374,
439/378, 379, 380, 381, 527, 529, 533, 675,
439/750, 842, 851, 889, 892, 894, 944, 948

See application file for complete search history.

(56) **References Cited**

U.S. PATENT DOCUMENTS

5,529,513 A 6/1996 Lee
D508,462 S * 8/2005 Mazzullo et al. D13/146
D514,524 S * 2/2006 Suckle D13/156
D516,032 S 2/2006 Suckle et al.
D519,464 S * 4/2006 Suckle et al. D13/156

D519,934 S 5/2006 Wada et al.
7,232,349 B1 * 6/2007 Chen 439/810
D556,146 S * 11/2007 Victor D13/154
7,304,243 B2 12/2007 Polidori
D563,899 S 3/2008 Goetz et al.
D576,555 S 9/2008 Bruseloff
D577,678 S * 9/2008 Ball et al. D13/133
D584,238 S 1/2009 Victor
7,484,990 B1 * 2/2009 Lee et al. 439/369
D599,742 S 9/2009 Hyncek et al.
D610,547 S 2/2010 Zhao et al.
7,723,611 B2 5/2010 Stagi et al.
D644,999 S 9/2011 Lee et al.
D645,022 S * 9/2011 Lee et al. D14/205
D658,587 S 5/2012 Flattinger et al.

(Continued)

Primary Examiner — Thomas Johannes

(74) *Attorney, Agent, or Firm* — Lando & Anastasi, LLP

(57) **CLAIM**

The ornamental design for a housing for cable connector, as shown and described.

DESCRIPTION

FIG. 1 is a perspective view of a housing for cable connector according to our new design;

FIG. 2 is a top view thereof;

FIG. 3 is a bottom view thereof;

FIG. 4 is a side view as seen from the left side in FIG. 2;

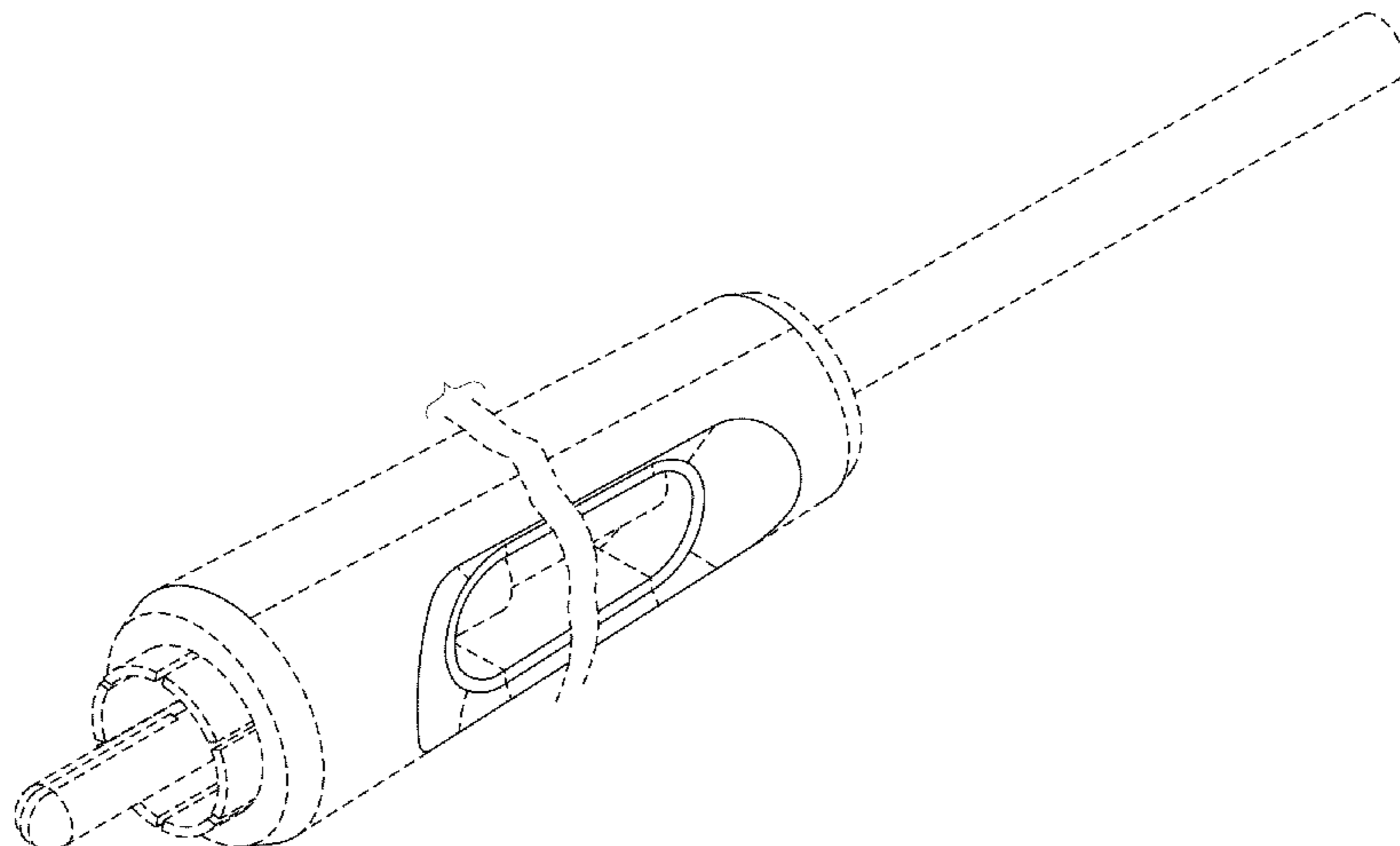
FIG. 5 is a side view as seen from the right side in FIG. 2;

FIG. 6 is a front view thereof; and,

FIG. 7 is a rear view thereof.

The broken line portion of the figure drawings is included to show unclaimed subject matter only and forms no part of the claimed design. The portions of the article shown broken away with wavy, bracketed, broken lines in FIGS. 1 through 5 indicate that any portion of the article beyond what is shown forms no part of the claimed design.

1 Claim, 7 Drawing Sheets



(56)

References Cited

U.S. PATENT DOCUMENTS

D671,076 S 11/2012 Victor
D675,575 S * 2/2013 Izen et al. D13/147
D675,985 S * 2/2013 Izen et al. D13/133
D675,990 S * 2/2013 Sculler D13/147
D675,993 S * 2/2013 Izen et al. D13/147

D678,198 S * 3/2013 Izen et al. D13/133
D678,199 S * 3/2013 Izen et al. D13/133
D691,095 S * 10/2013 Izen et al. D13/147
2010/0015842 A1 1/2010 Zhang et al.
2010/0291791 A1 11/2010 Ko
2011/0023299 A1 2/2011 Chen et al.
2012/0003862 A1 1/2012 Newman et al.

* cited by examiner

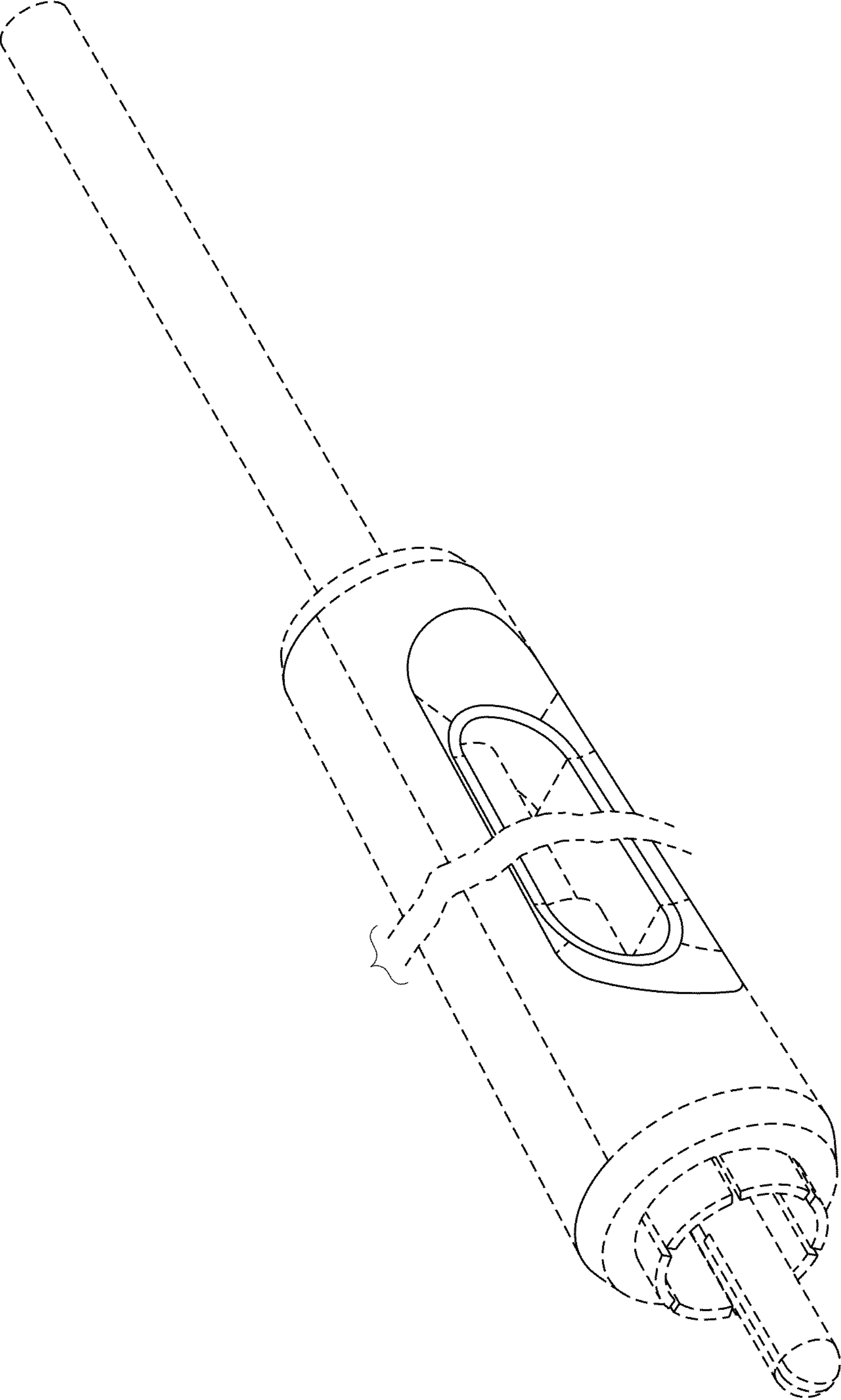


Fig. 1

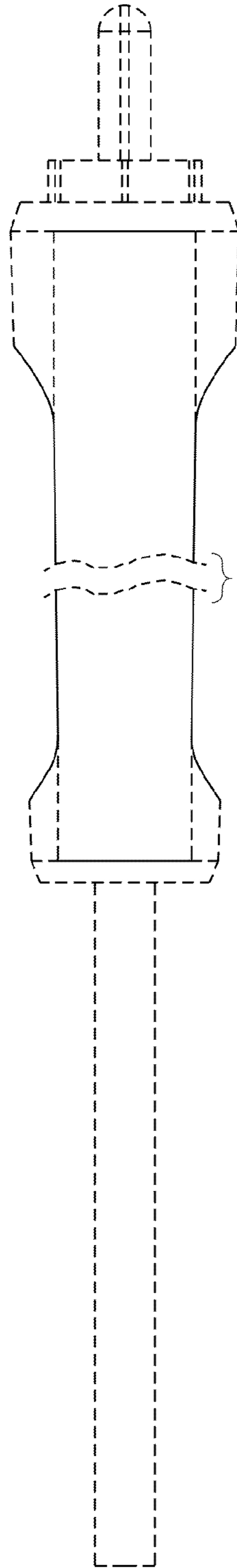


Fig. 2

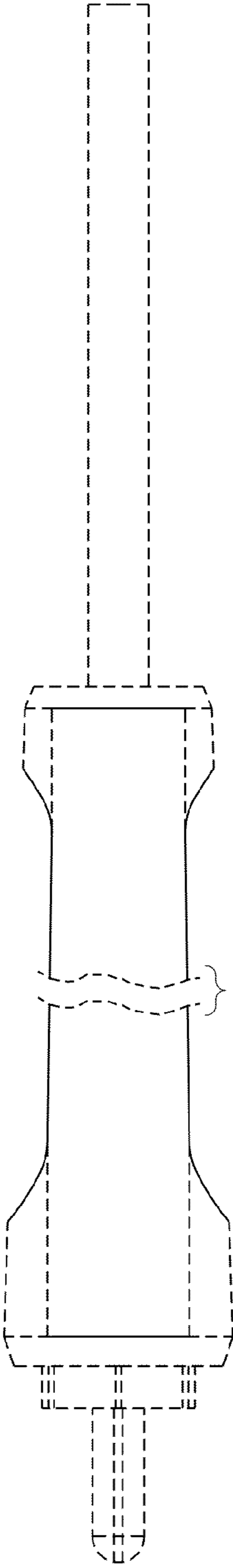


Fig. 3

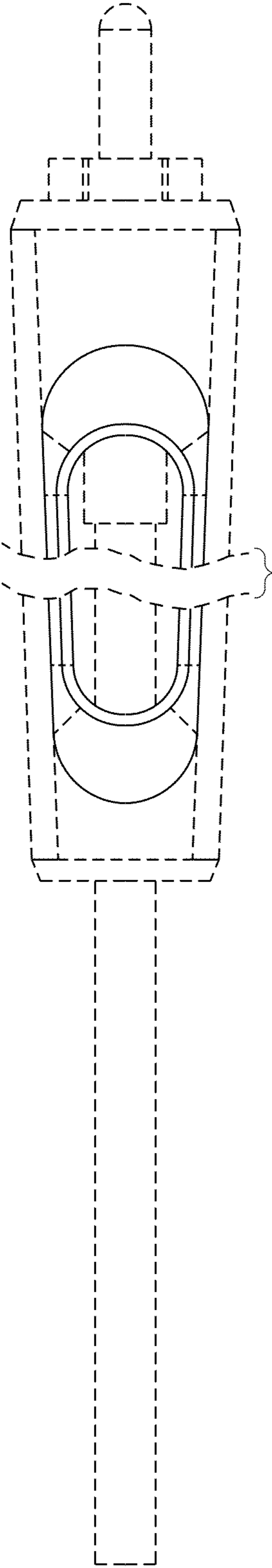


Fig. 4

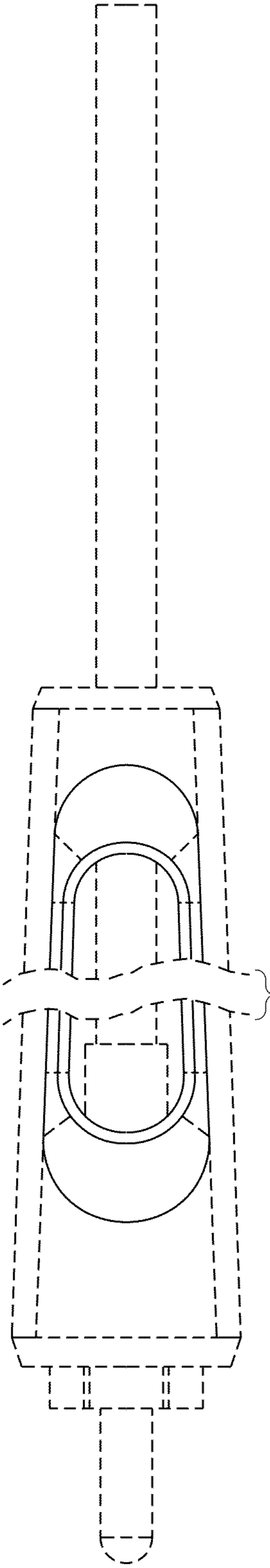


Fig. 5

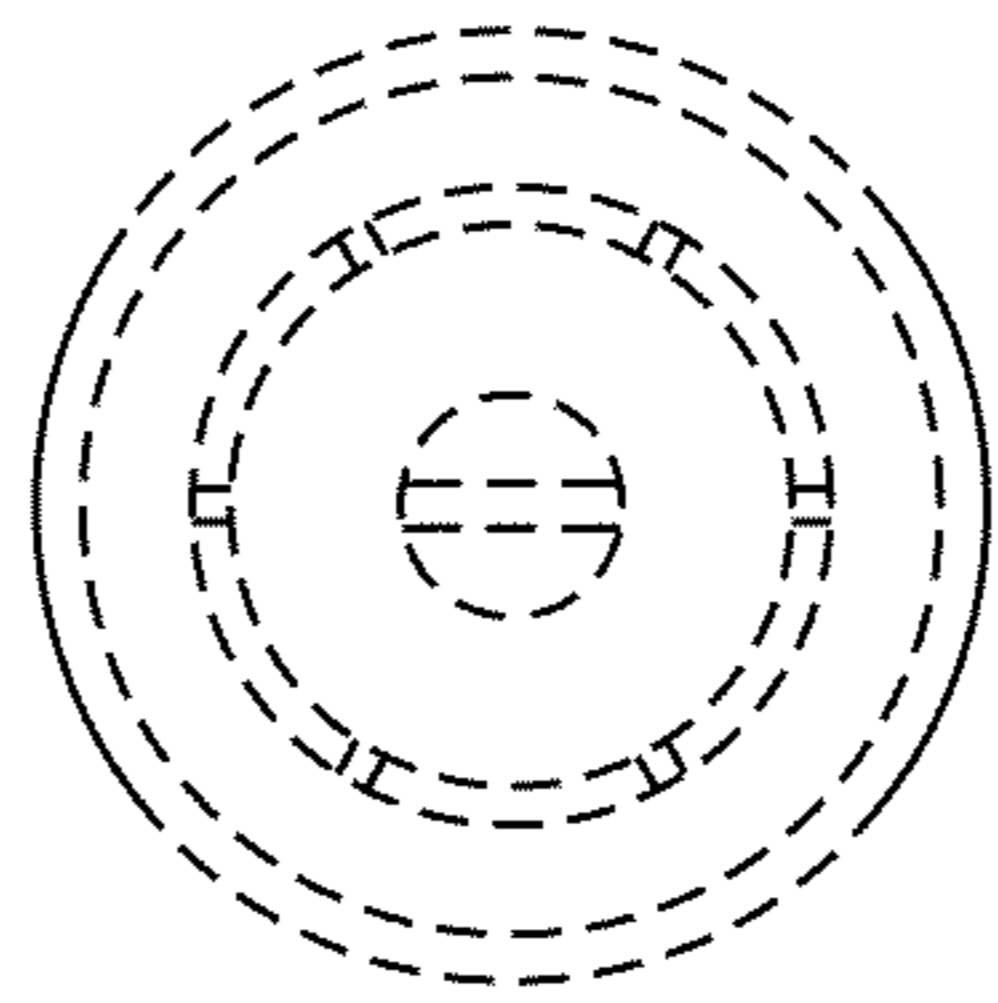


Fig. 6

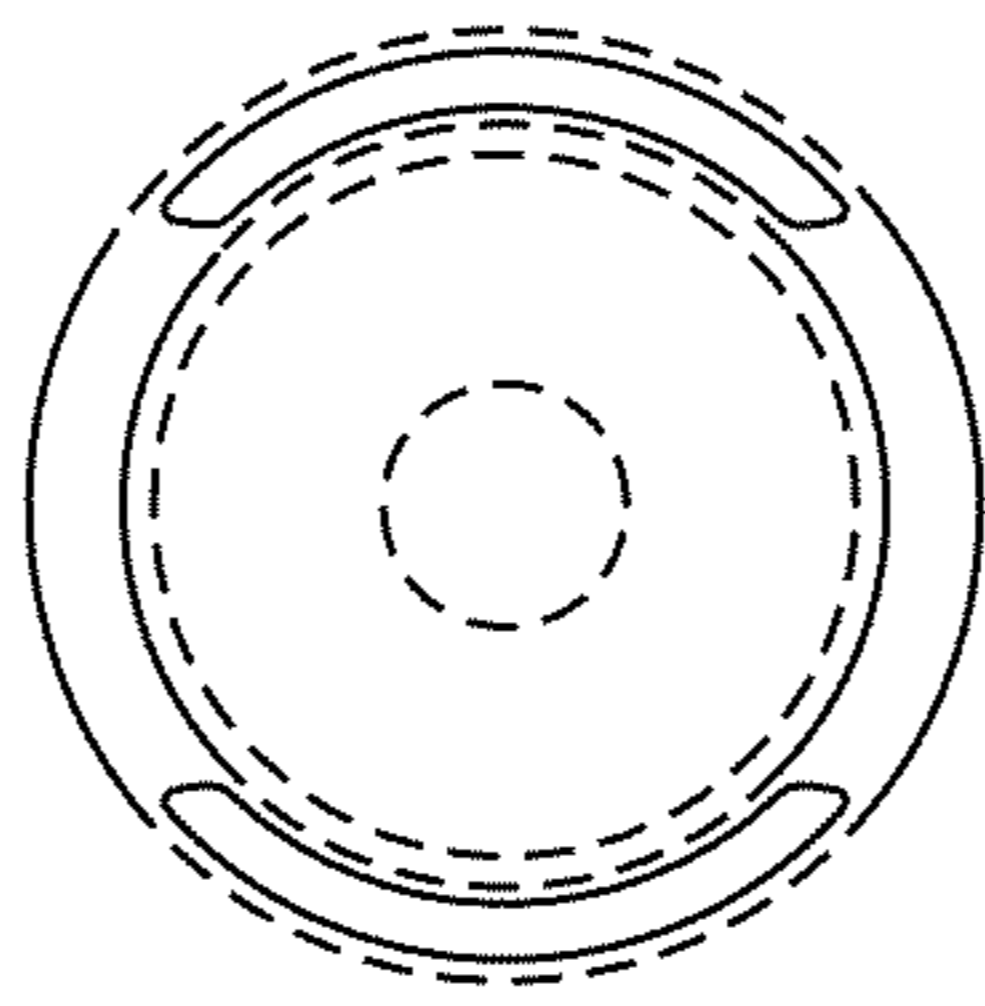


Fig. 7