



US00D714217S

(12) **United States Design Patent**
Tanaka et al.

(10) **Patent No.:** **US D714,217 S**

(45) **Date of Patent:** **** Sep. 30, 2014**

(54) **COVER OF AC GENERATOR FOR VEHICLE**

(56)

References Cited

(71) Applicant: **Mitsubishi Electric Corporation,**
Tokyo (JP)

(72) Inventors: **Kazunori Tanaka,** Tokyo (JP); **Yuzuru Kobayashi,** Tokyo (JP); **Katsuya Akamatsu,** Tokyo (JP)

(73) Assignee: **Mitsubishi Electric Corporation,**
Tokyo (JP)

(**) Term: **14 Years**

(21) Appl. No.: **29/476,242**

(22) Filed: **Dec. 12, 2013**

(30) **Foreign Application Priority Data**

Sep. 3, 2013 (JP) 2013-020308

(51) **LOC (10) Cl.** **13-01**

(52) **U.S. Cl.**
USPC **D13/122**

(58) **Field of Classification Search**
USPC D13/122, 101, 110, 112, 113, 114, 118,
D13/184, 199; D15/1, 3, 5, 199; 310/68 C,
310/68 D, 68 R, 85; 361/688, 692, 693;
363/144, 145

See application file for complete search history.

U.S. PATENT DOCUMENTS

D213,626	S	*	3/1969	Tomkinson	D13/122
4,673,837	A	*	6/1987	Gingerich et al.	310/239
5,640,062	A	*	6/1997	Yockey	310/68 D
D384,033	S	*	9/1997	Takeda et al.	D13/114
D401,553	S	*	11/1998	Pearce et al.	D13/112
D496,630	S	*	9/2004	Burton	D13/122
6,995,486	B2	*	2/2006	Bradfield et al.	310/68 D
D530,278	S	*	10/2006	Lyle et al.	D13/122
D577,670	S	*	9/2008	Oohashi et al.	D13/113
D587,650	S	*	3/2009	Lannoch	D13/122
D621,416	S	*	8/2010	Miyaji et al.	D15/5

* cited by examiner

Primary Examiner — Derrick Holland

(74) *Attorney, Agent, or Firm* — Sughrue Mion, PLLC

(57) **CLAIM**

The ornamental design for a cover of AC generator for vehicle, as shown and described.

DESCRIPTION

FIG. 1 is a perspective view of the front, right, and top side of a cover of AC generator for vehicle showing our new design; FIG. 2 is a front view thereof; FIG. 3 is a rear view thereof; FIG. 4 is a left side view thereof; FIG. 5 is a right side view thereof; FIG. 6 is a top plan view thereof; and, FIG. 7 is a bottom view thereof. The broken lines shown represent unclaimed subject matter and form no part of the claimed design.

1 Claim, 5 Drawing Sheets

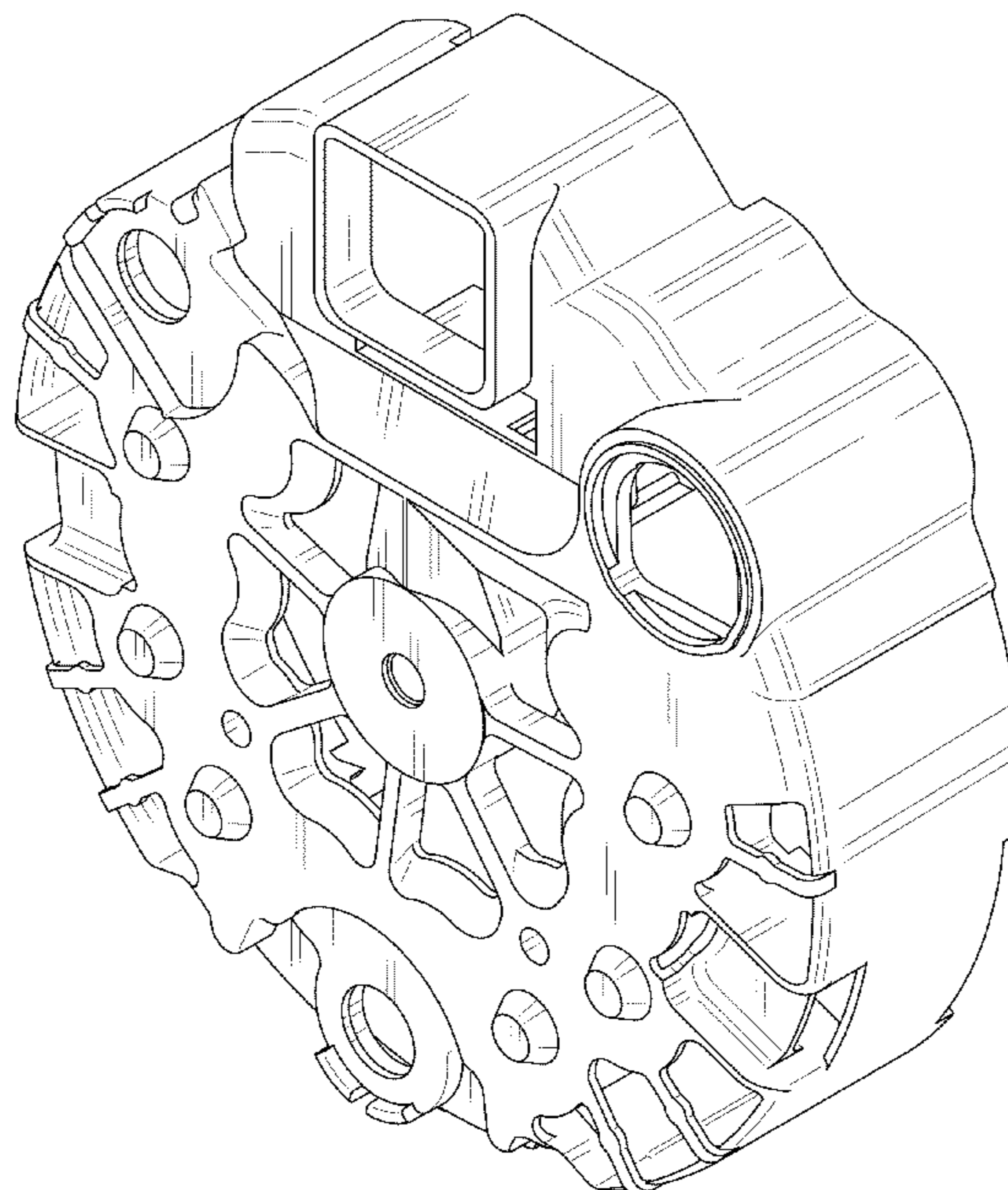


Fig. 1

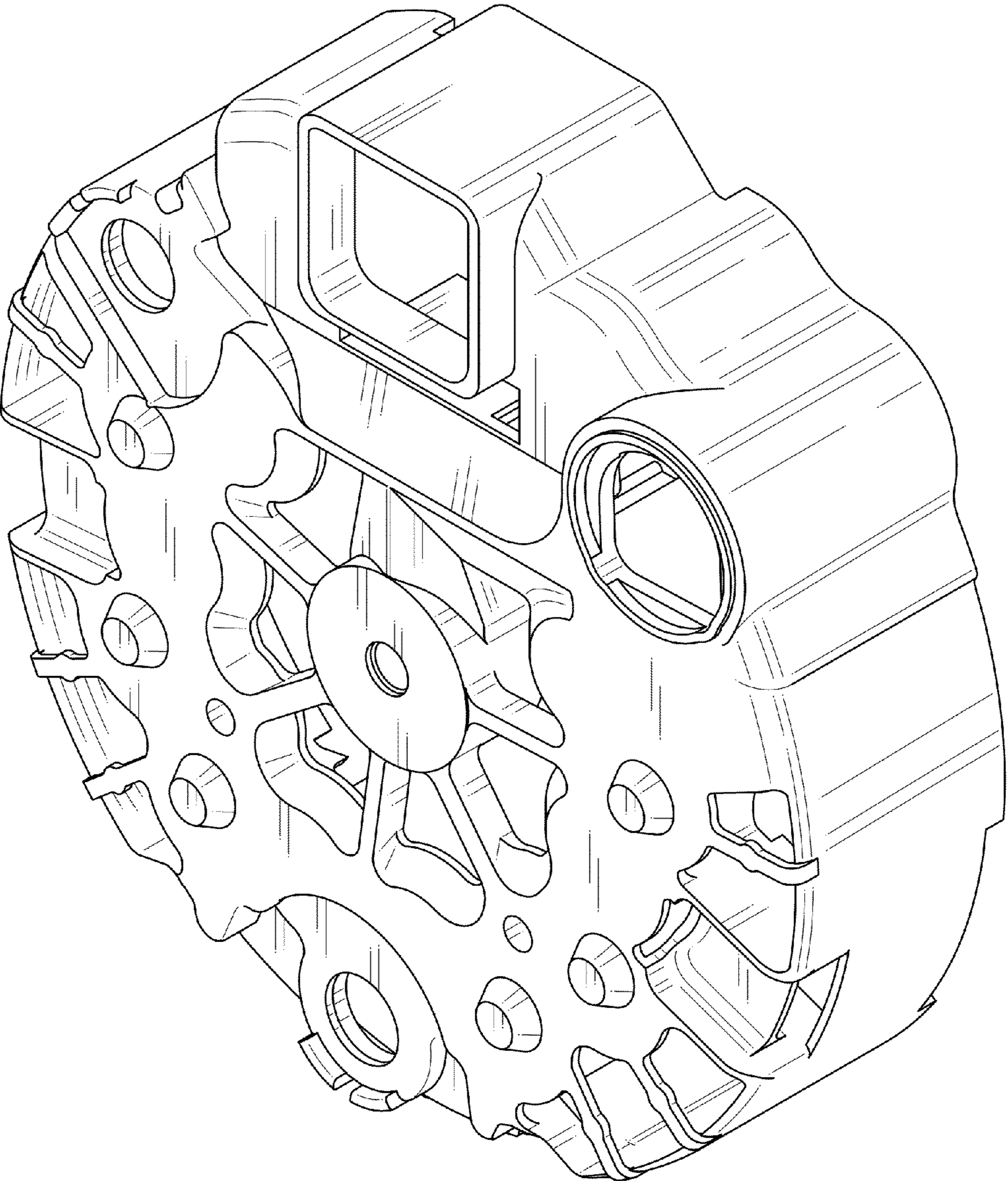


Fig. 2

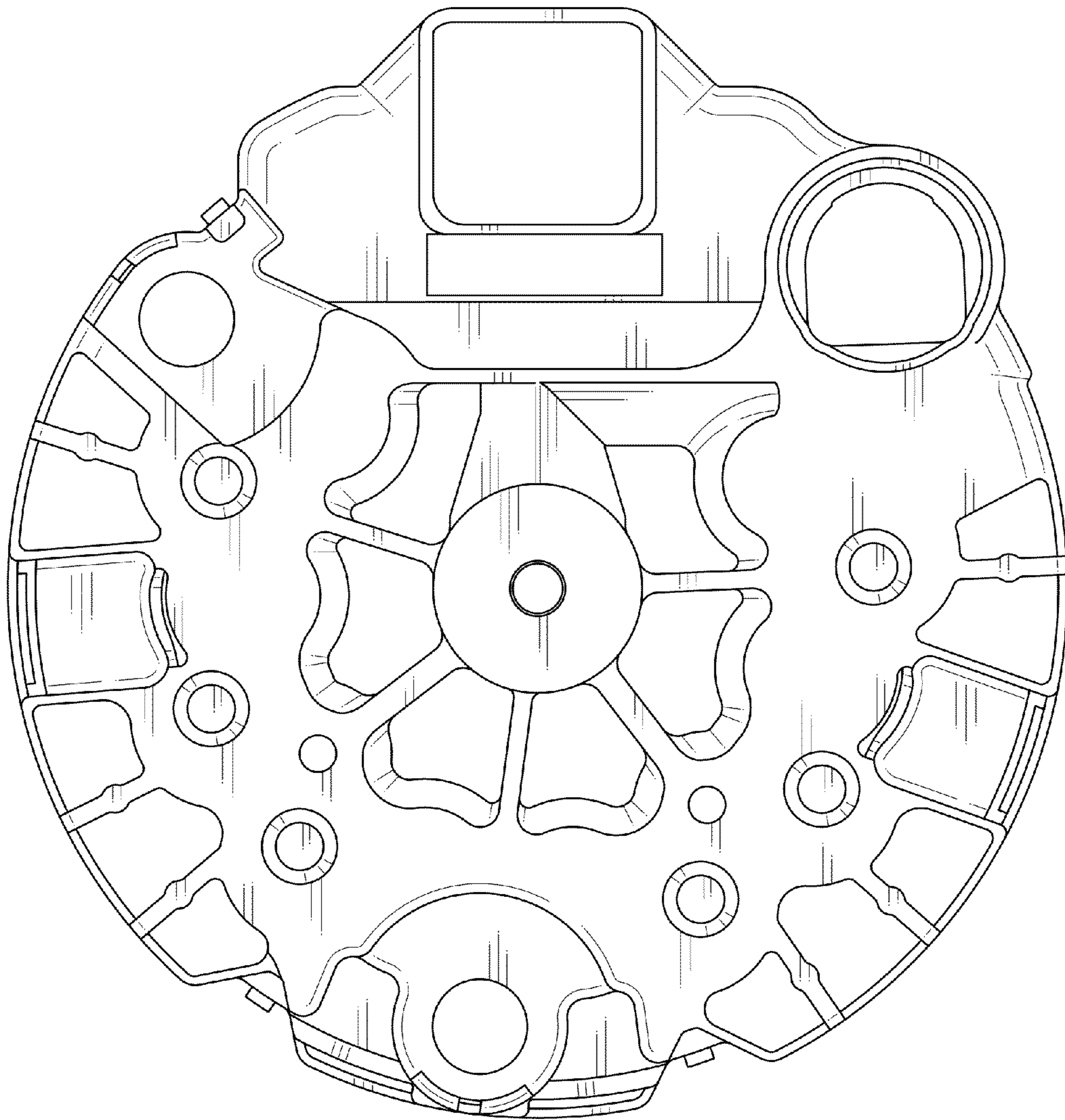


Fig. 3

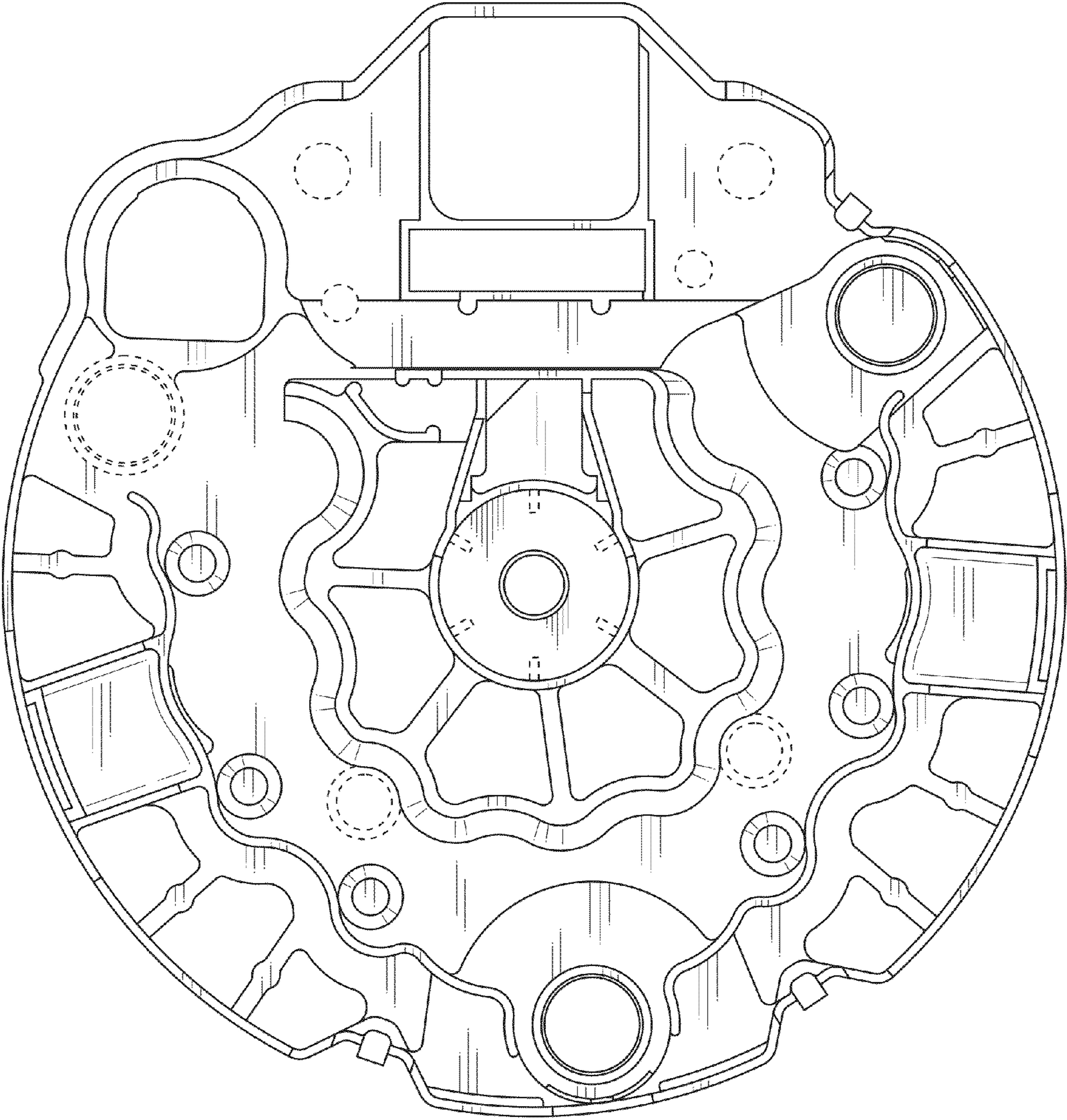


Fig. 4

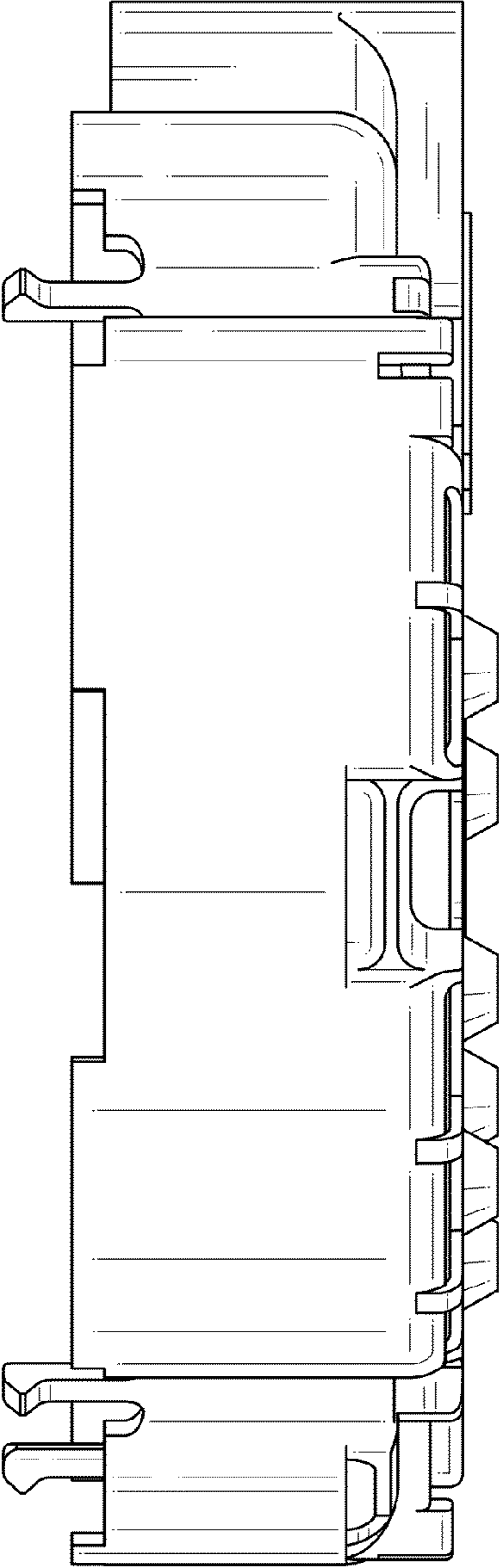


Fig. 5

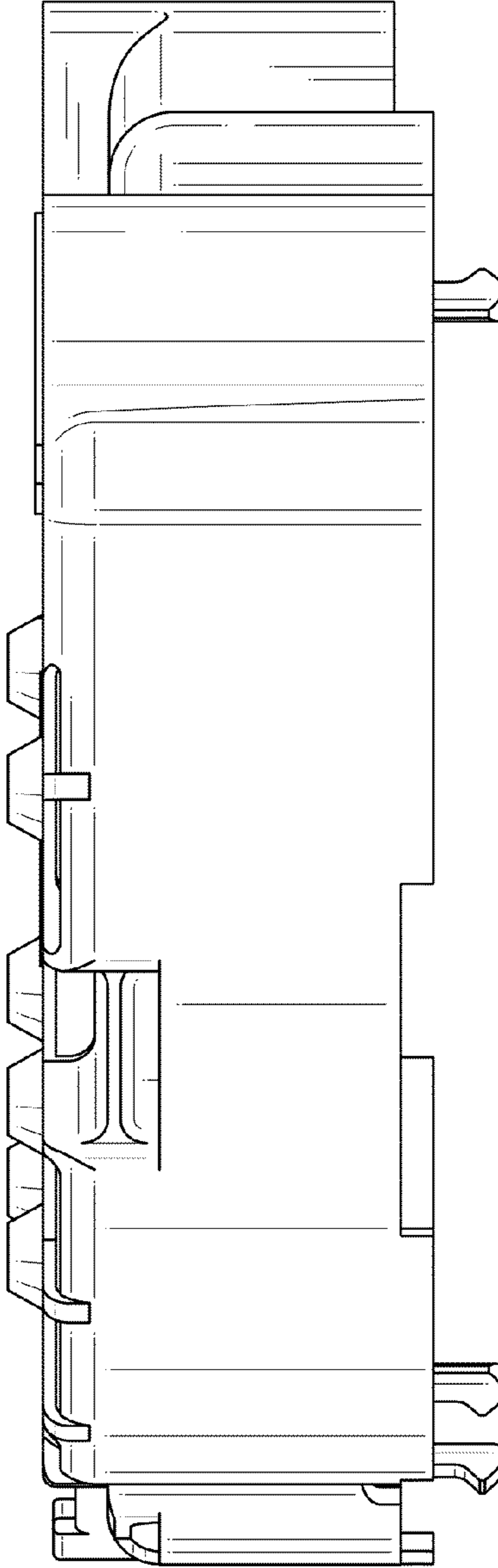


Fig. 6

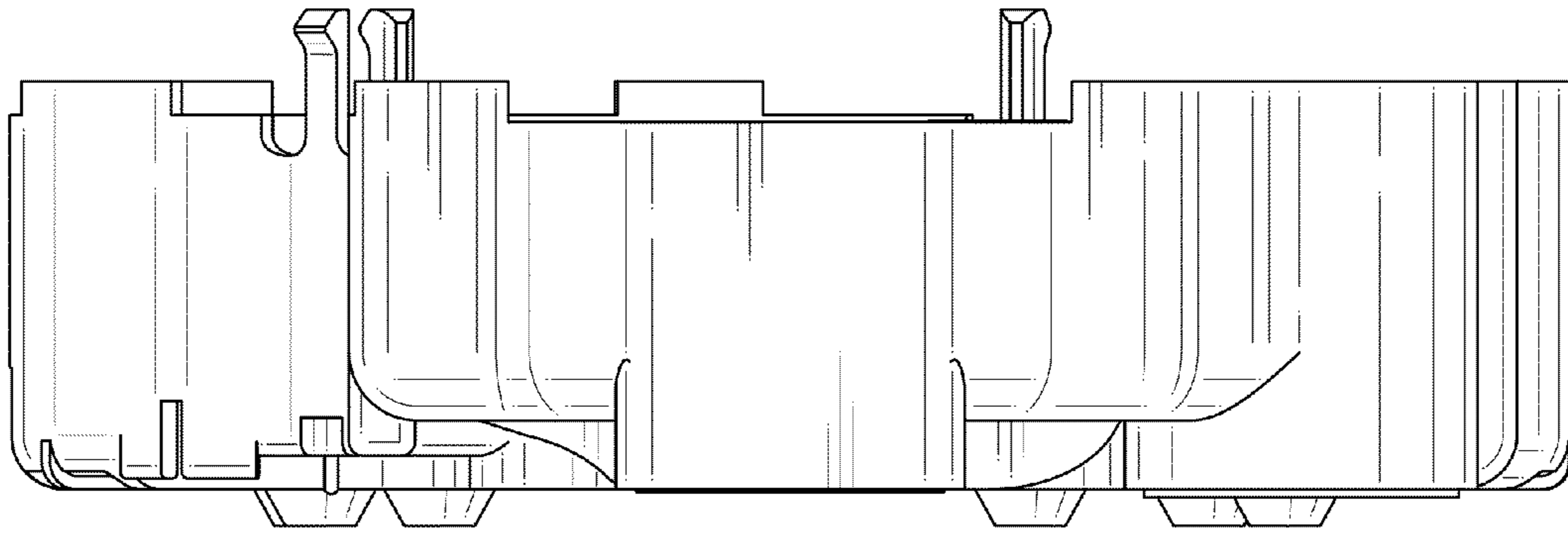


Fig. 7

