



US00D714216S

(12) **United States Design Patent**  
**Bole et al.**

(10) **Patent No.:** **US D714,216 S**

(45) **Date of Patent:** **\*\* Sep. 30, 2014**

(54) **NOZZLE CHEST OF A STEAM TURBINE**

(75) Inventors: **Yogendra Kumar Bole**, Bangalore (IN);  
**Pramodchandra Umakant Gopi**,  
Bangalore (IN); **Sankar Bhaskarannair**,  
Bangalore (IN)

(73) Assignee: **Triveni Turbine Limited**, Bangalore  
(IN)

(\*\*) Term: **14 Years**

(21) Appl. No.: **29/397,878**

(22) Filed: **Jul. 22, 2011**

(51) **LOC (10) Cl.** ..... **13-01**

(52) **U.S. Cl.**  
USPC ..... **D13/122**

(58) **Field of Classification Search**

USPC ..... D13/112, 113, 114, 115, 118, 120, 122,  
D13/184, 199; D15/1, 5, 7, 199; 60/646,  
60/670, 676, 775; 239/543, 548, 556;  
415/1, 11, 13, 44, 94, 102, 116, 134,  
415/145, 148, 150, 151, 185, 220

See application file for complete search history.

(56) **References Cited**

**U.S. PATENT DOCUMENTS**

D114,886 S \* 5/1939 Jacobs ..... D13/115  
D294,247 S \* 2/1988 White et al. .... D13/115

4,936,002 A \* 6/1990 Silvestri et al. .... 29/889.2  
4,940,383 A \* 7/1990 Silvestri, Jr. .... 415/44  
5,095,706 A \* 3/1992 Saito et al. .... 60/646  
D365,569 S \* 12/1995 Kieffer ..... D15/7  
6,071,073 A \* 6/2000 Maier ..... 415/150  
6,568,908 B2 \* 5/2003 Namura et al. .... 416/190  
6,631,858 B1 \* 10/2003 Farineau et al. .... 239/548  
6,879,055 B2 \* 4/2005 Becker et al. .... 290/55  
7,065,968 B2 \* 6/2006 Takahashi et al. .... 60/670  
7,713,023 B2 \* 5/2010 Hamlin et al. .... 415/185

\* cited by examiner

*Primary Examiner* — Derrick Holland

(57) **CLAIM**

The ornamental design for a nozzle chest of a steam turbine,  
as shown and described.

**DESCRIPTION**

FIG. 1 is a front perspective view of a nozzle chest of a steam turbine showing our new design;

FIG. 2 is a front elevational view thereof;

FIG. 3 is a back elevational view thereof;

FIG. 4 is a top plan view thereof;

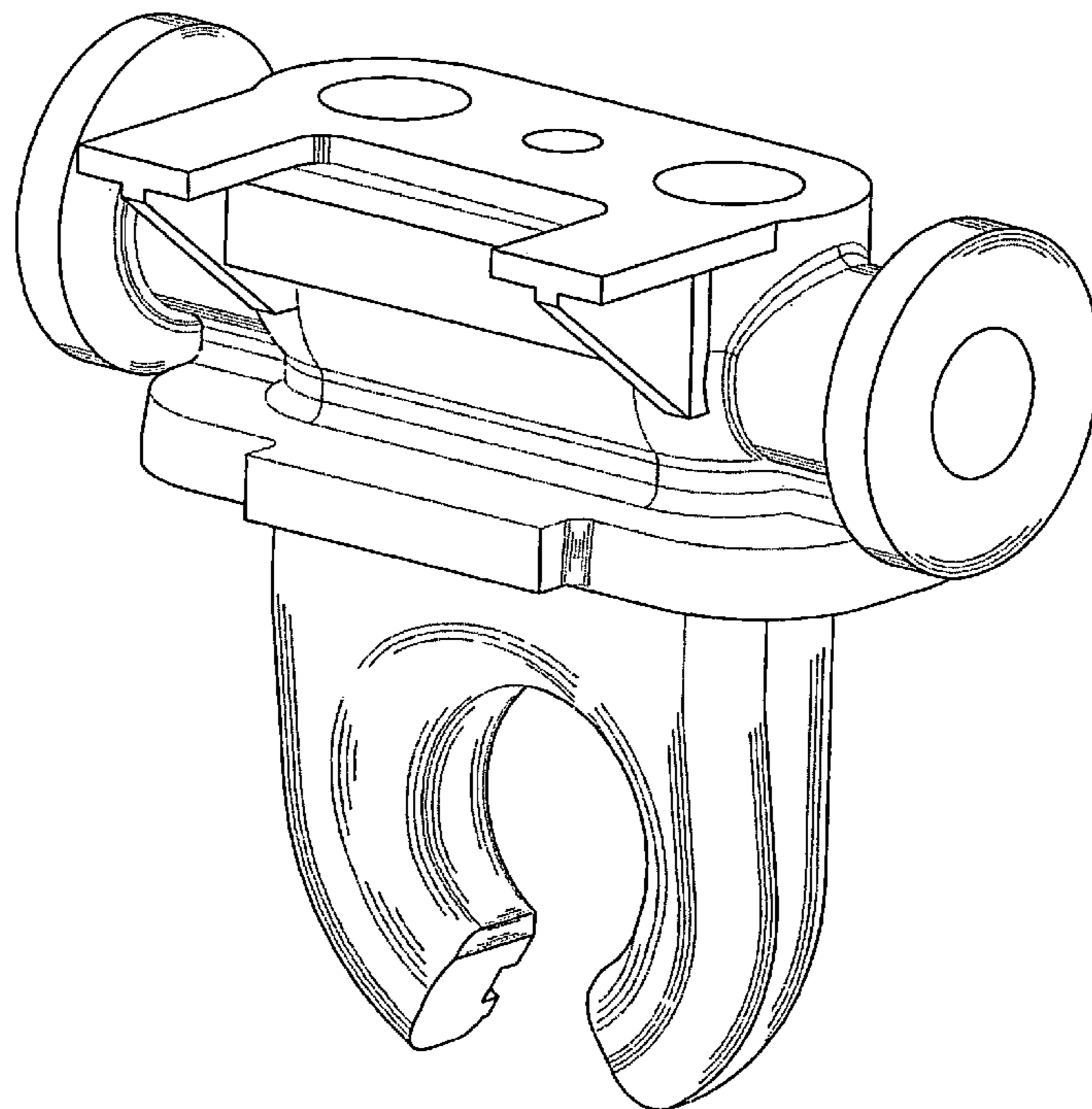
FIG. 5 is a bottom plan view thereof;

FIG. 6 is a left side elevational view thereof; and,

FIG. 7 is a right side elevational view thereof.

The broken lines shown represent unclaimed subject matter and form no part of the claimed design.

**1 Claim, 5 Drawing Sheets**



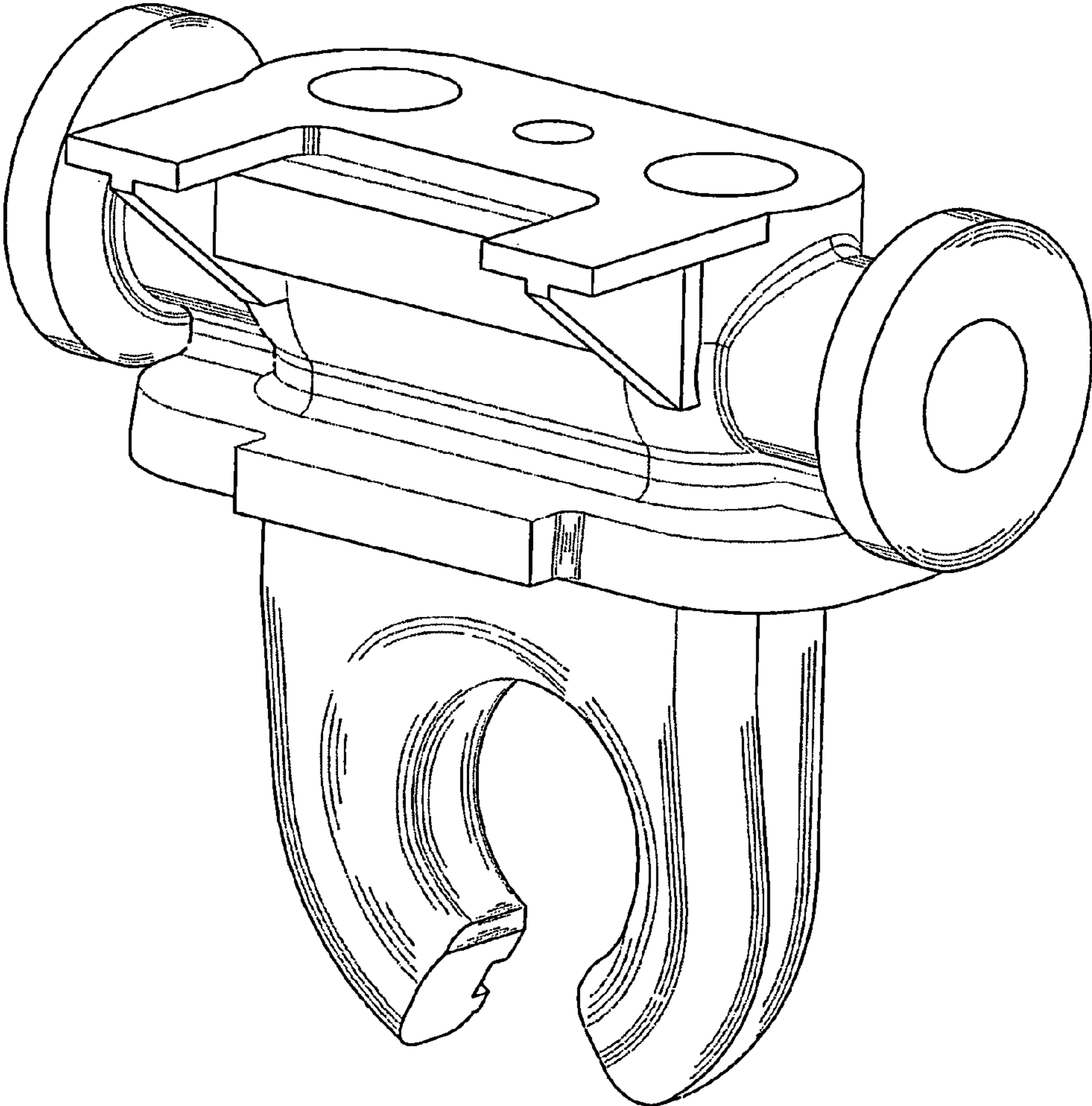


FIG. 1

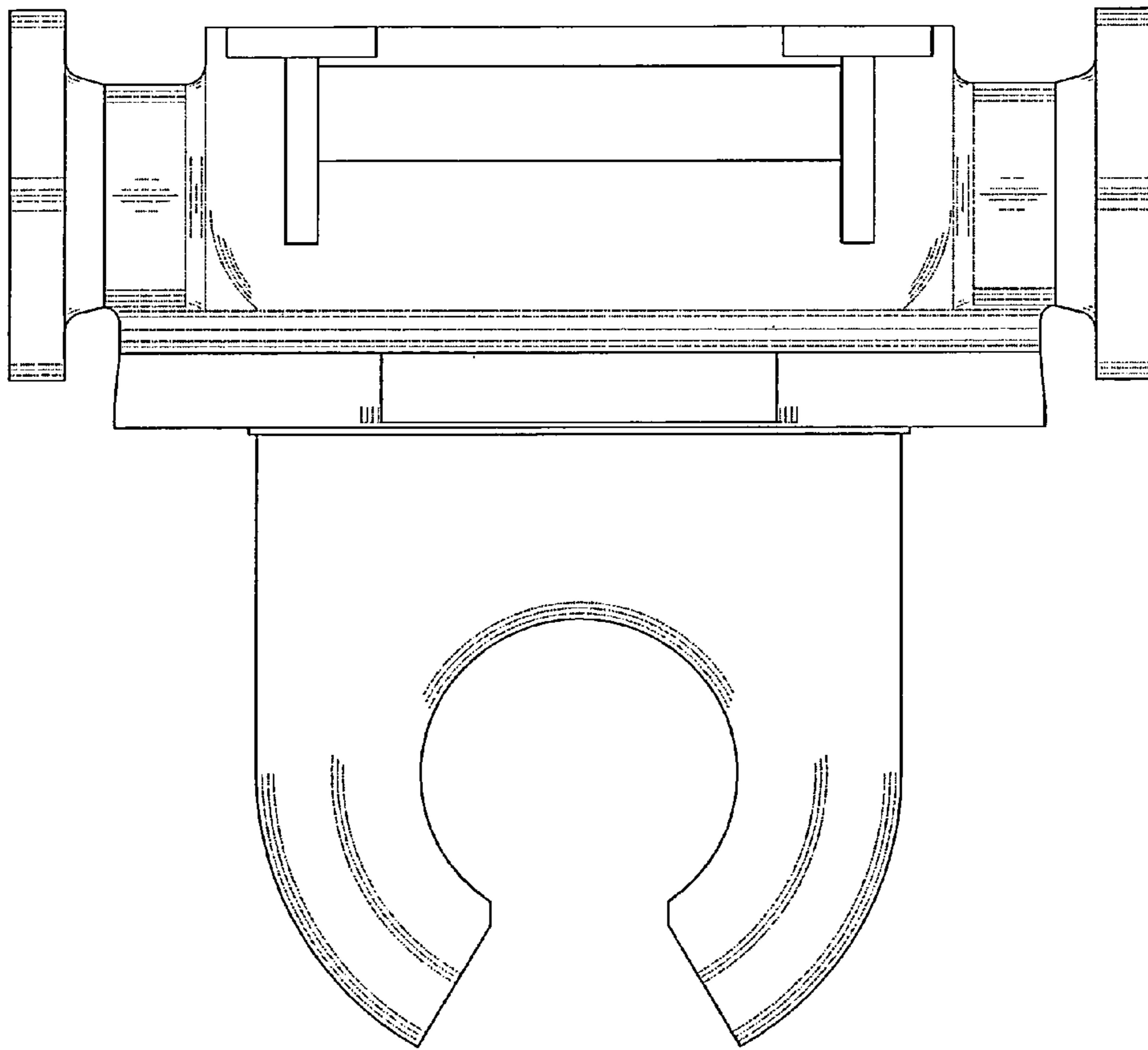


FIG. 2

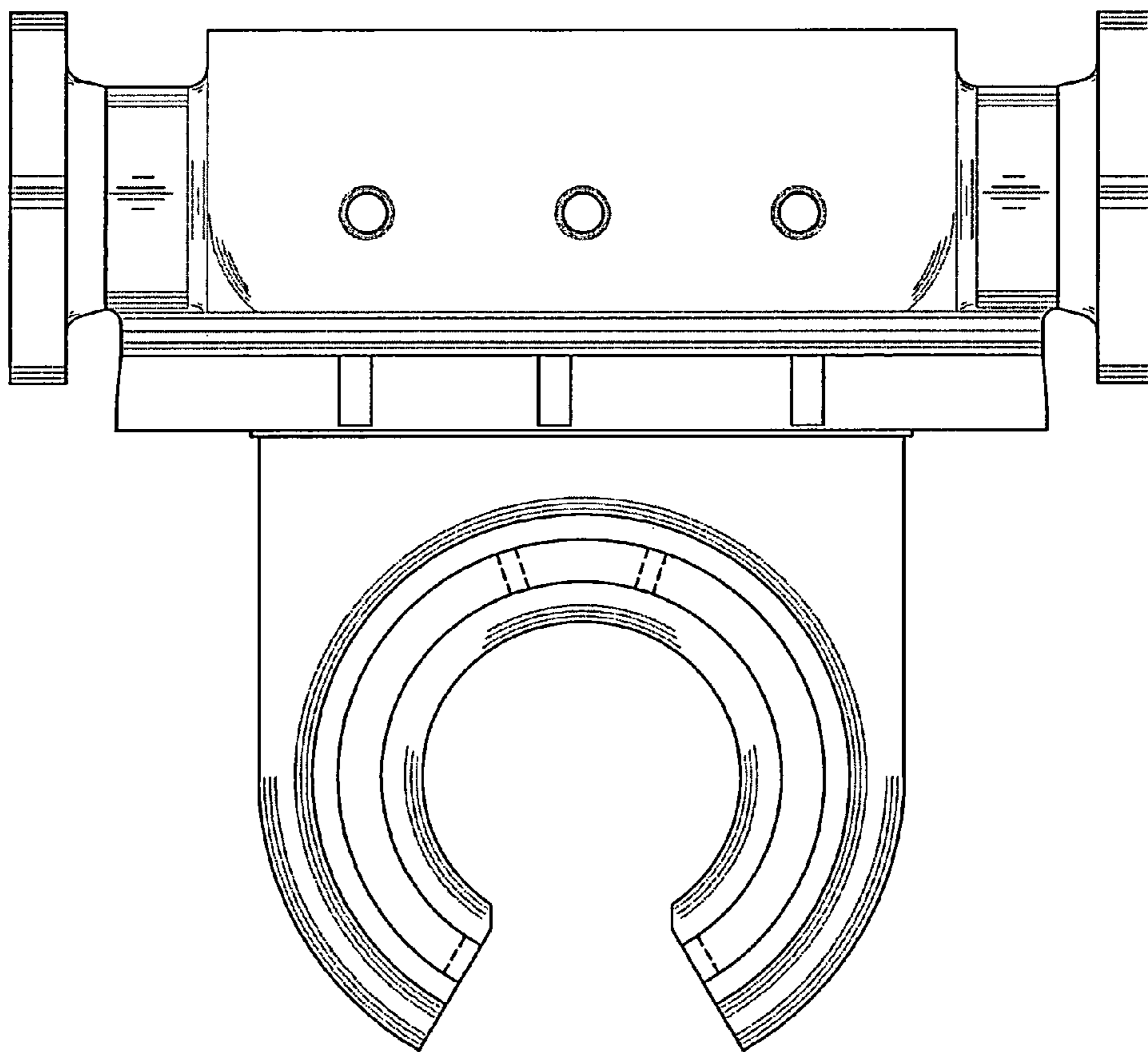


FIG. 3

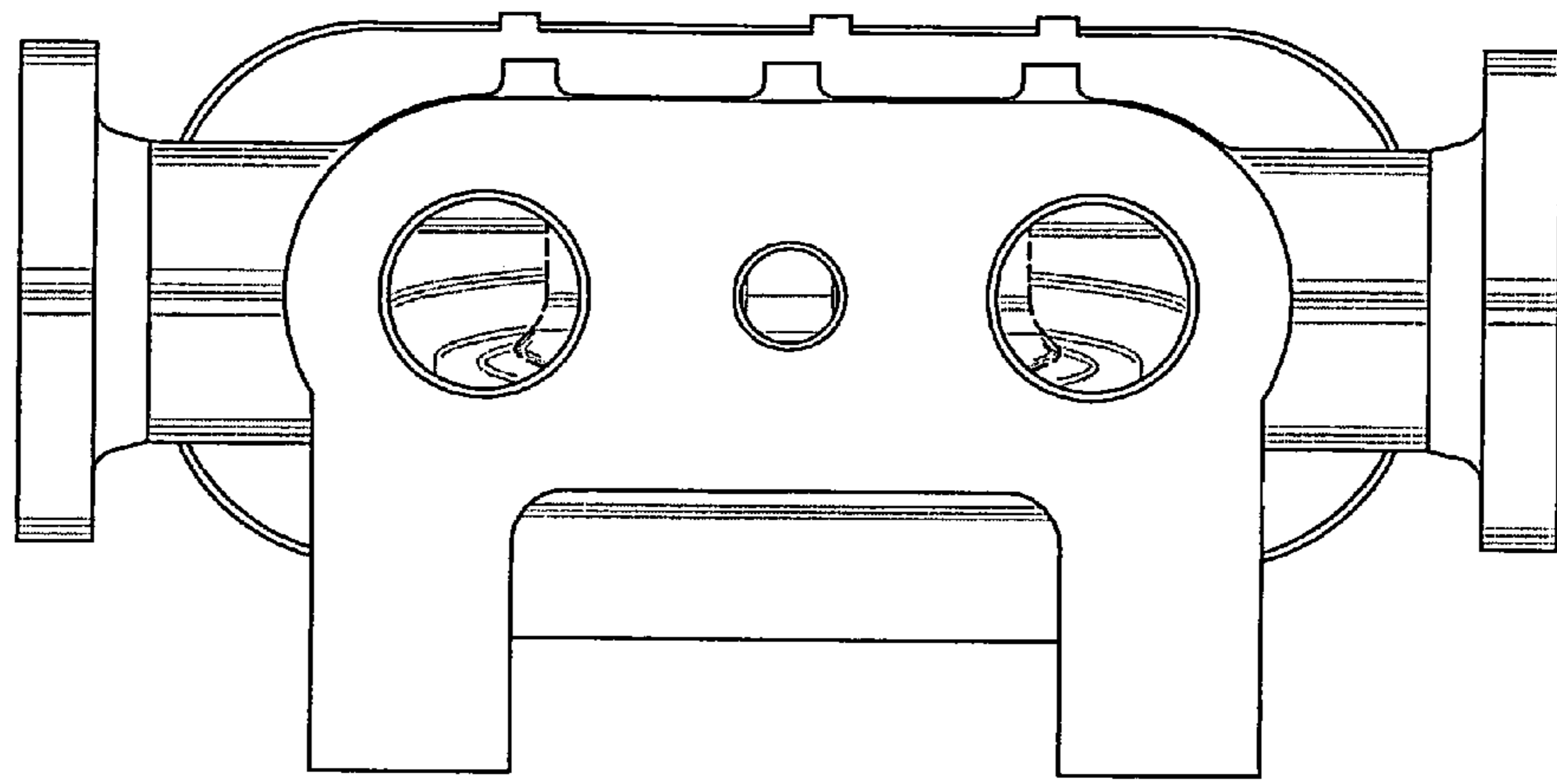


FIG. 4

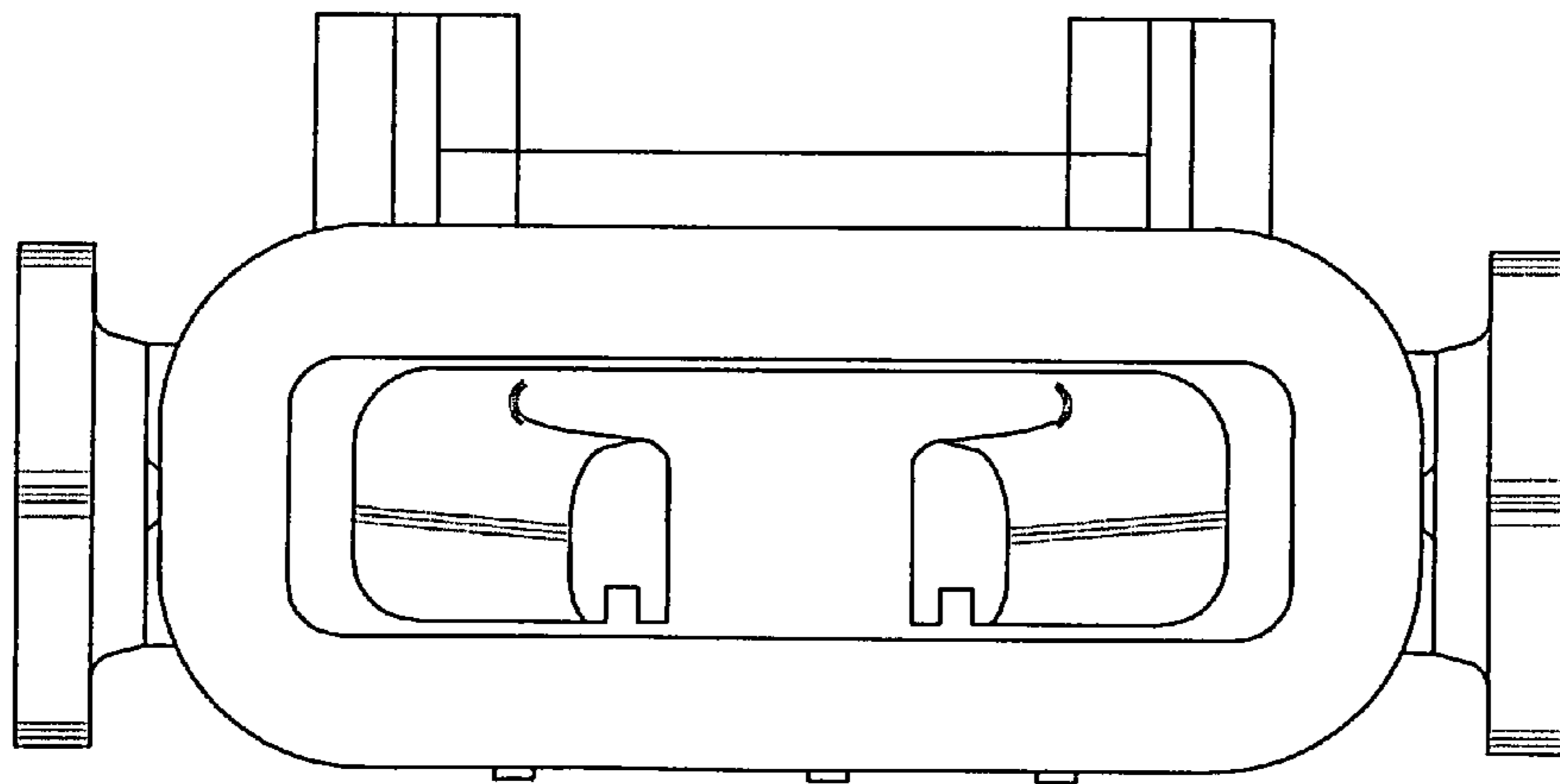


FIG. 5

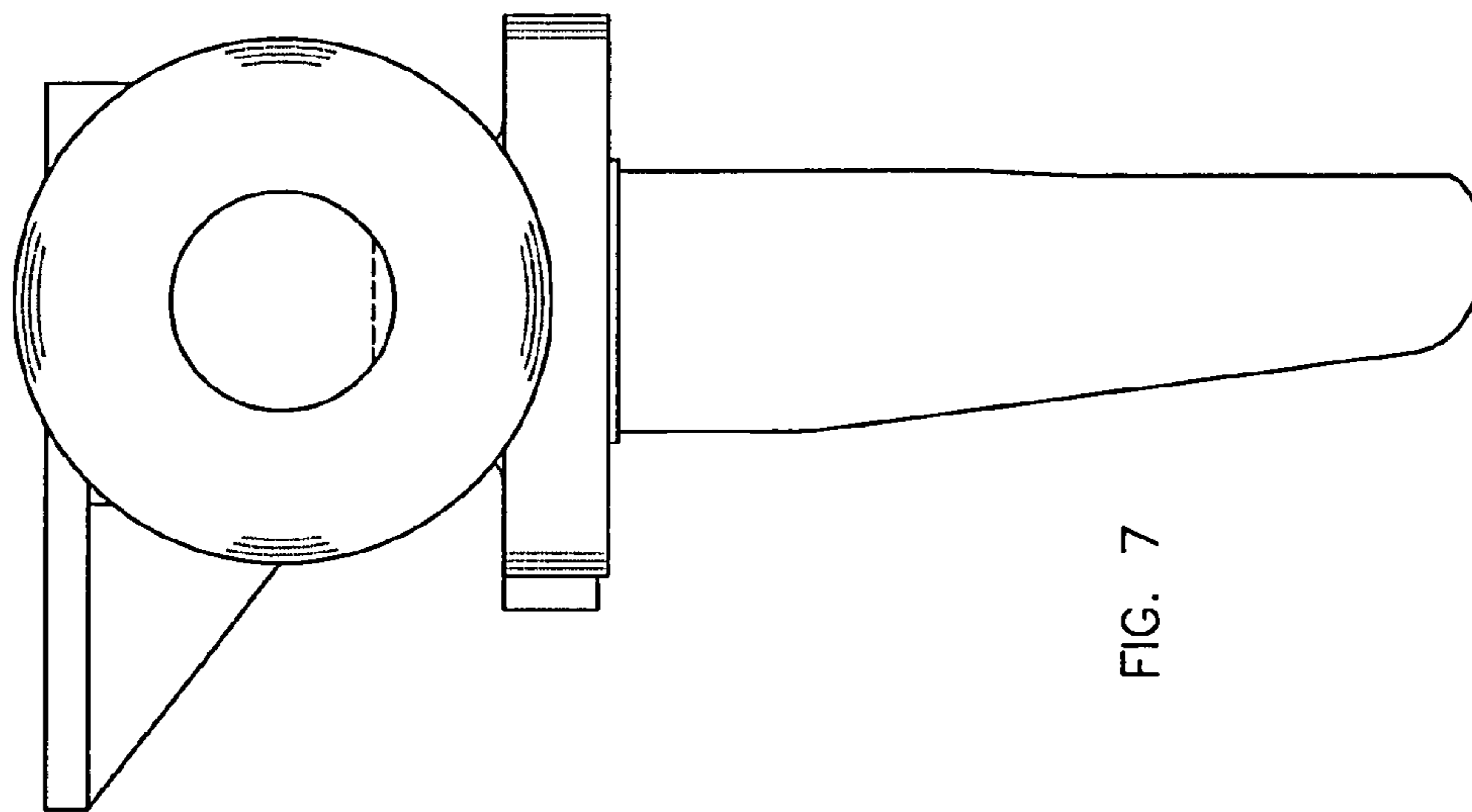


FIG. 7

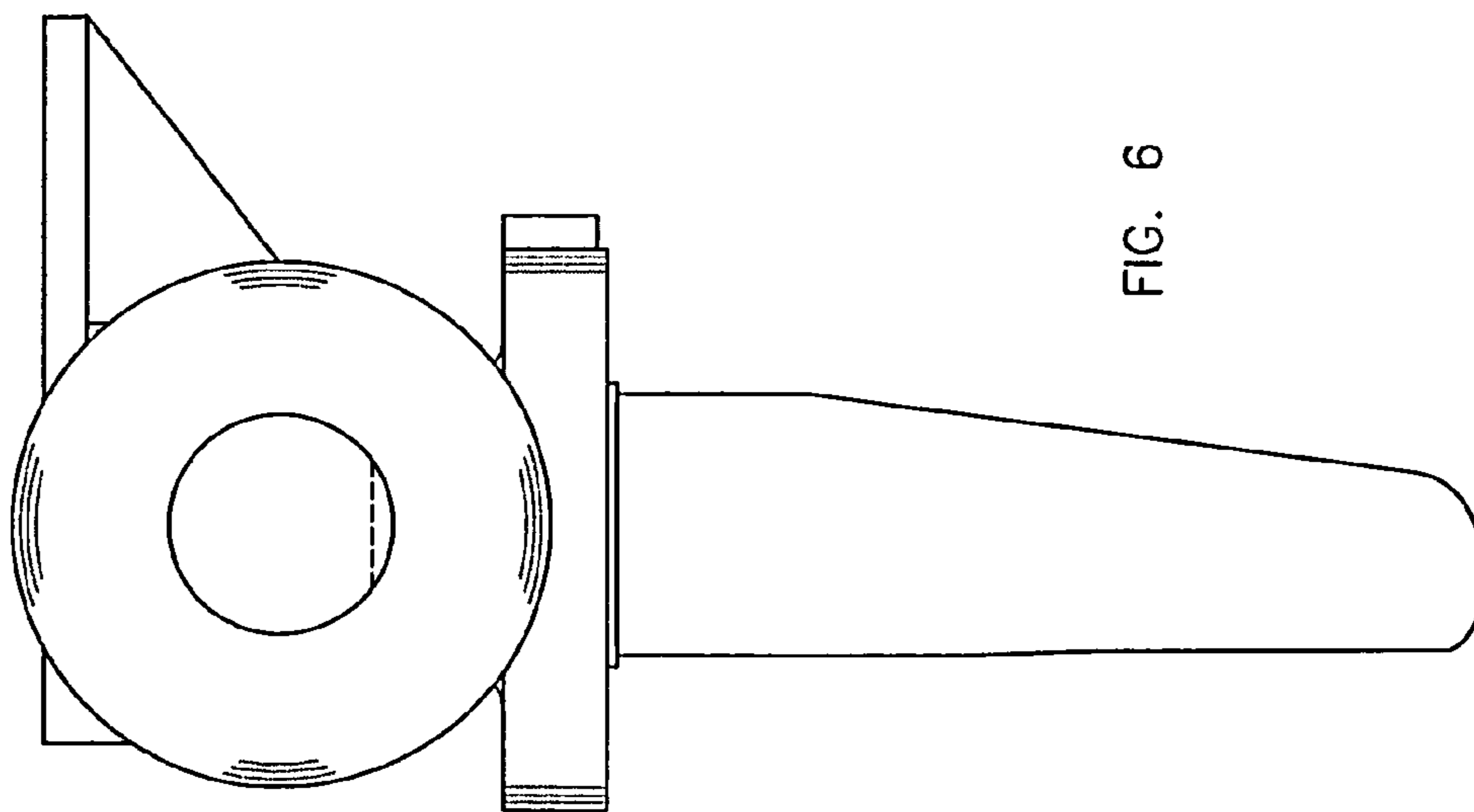


FIG. 6