



US00D714214S

(12) **United States Design Patent**
Wikel et al.

(10) **Patent No.:** **US D714,214 S**

(45) **Date of Patent:** **** Sep. 30, 2014**

(54) **PORTABLE CHARGER**

(75) Inventors: **Harold L Wikel**, Muskego, WI (US);
Sean P Daw, Grayslake, IL (US)

(73) Assignee: **Motorola Mobility LLC**, Chicago, IL (US)

(**) Term: **14 Years**

(21) Appl. No.: **29/411,508**

(22) Filed: **Jan. 23, 2012**

(51) **LOC (10) Cl.** **13-02**

(52) **U.S. Cl.**

USPC **D13/107**

(58) **Field of Classification Search**

USPC D13/103–109, 118–122; 320/110–113

See application file for complete search history.

(56) **References Cited**

U.S. PATENT DOCUMENTS

D503,679 S *	4/2005	Andre et al.	D13/110
D586,295 S *	2/2009	Zhao et al.	D13/133
D622,213 S *	8/2010	Nomi et al.	D13/103
D648,270 S *	11/2011	Jiang	D13/103
D663,687 S *	7/2012	Liu	D13/108
D665,732 S *	8/2012	Saito et al.	D13/103
D678,187 S *	3/2013	Huang	D13/103
D682,777 S *	5/2013	Gupta et al.	D13/103
D682,806 S *	5/2013	Smith et al.	D14/155
D686,595 S *	7/2013	Andre et al.	D14/217

D687,768 S *	8/2013	Minamikawa	D13/107
D692,824 S *	11/2013	Fiaschetti	D13/108
D695,214 S *	12/2013	Roberts et al.	D13/107

* cited by examiner

Primary Examiner — Eric Goodman

Assistant Examiner — Brett Miller

(74) *Attorney, Agent, or Firm* — Gary J. Cunningham

(57) **CLAIM**

The ornamental design for a portable charger, as shown and described.

DESCRIPTION

FIG. 1 is a top perspective view of an ornamental design for a portable charger;

FIG. 2 is a bottom perspective view thereof;

FIG. 3 is a top view thereof;

FIG. 4 is a bottom view thereof;

FIG. 5 is a first side view thereof;

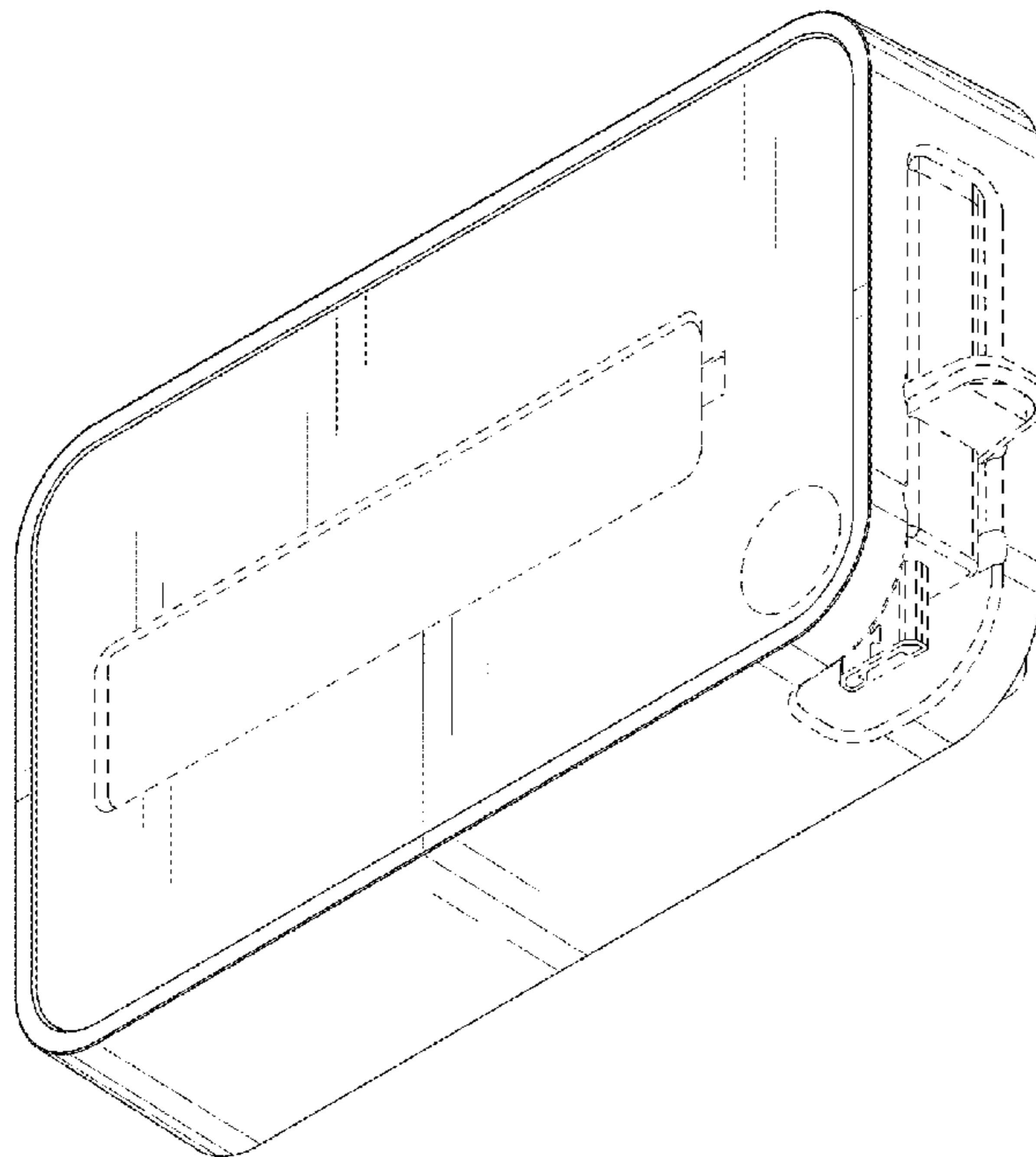
FIG. 6 is a second side view thereof;

FIG. 7 is a front view thereof; and,

FIG. 8 is a rear view thereof.

The broken lines shown in FIGS. 1-8, that are immediately adjacent to the shaded areas, and define unshaded regions, represent the bounds of the claimed design, while all other broken lines are directed to environment and are for illustrative purposes only; the broken lines form no part of the claimed design.

1 Claim, 5 Drawing Sheets



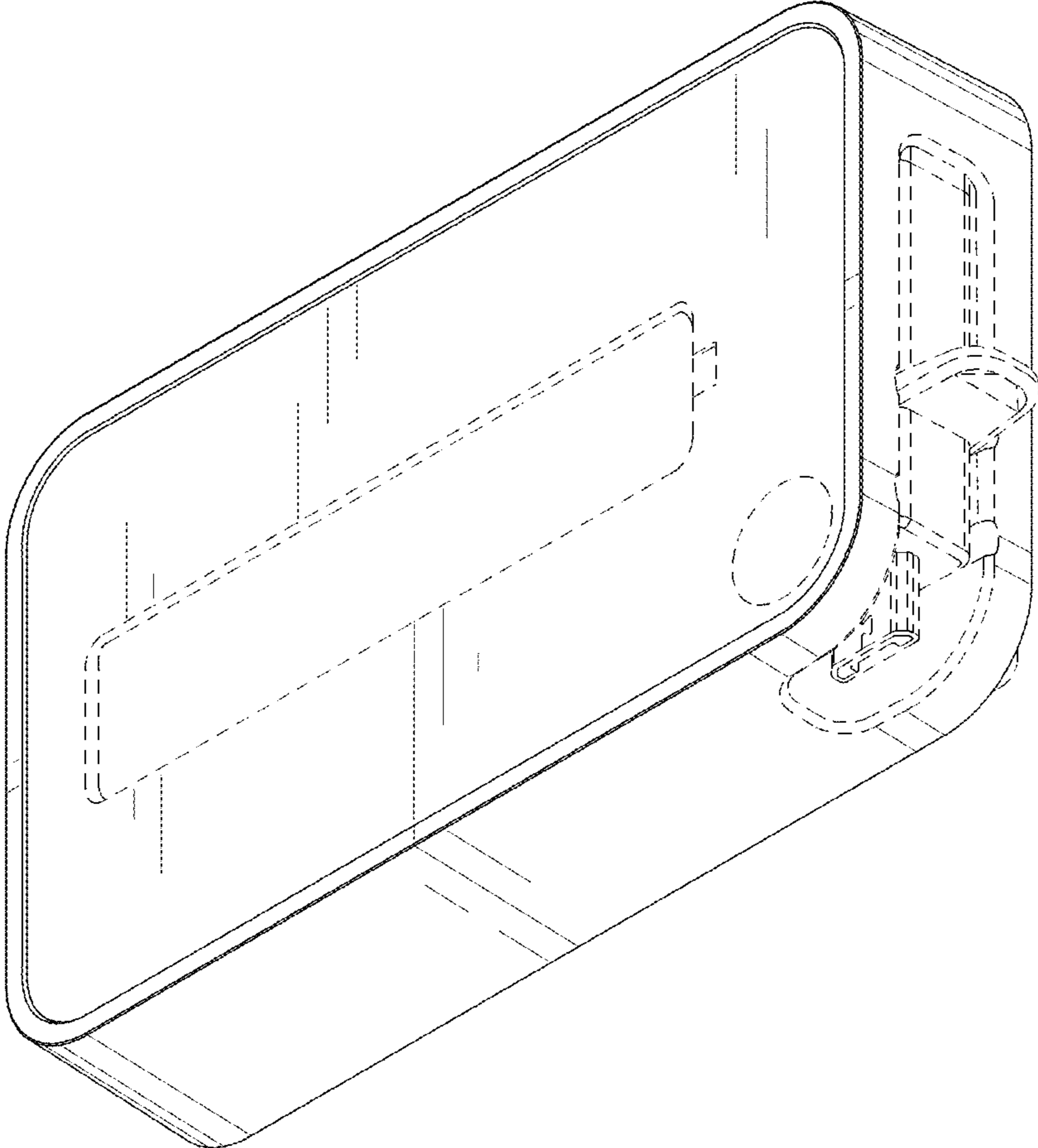


FIG. 1

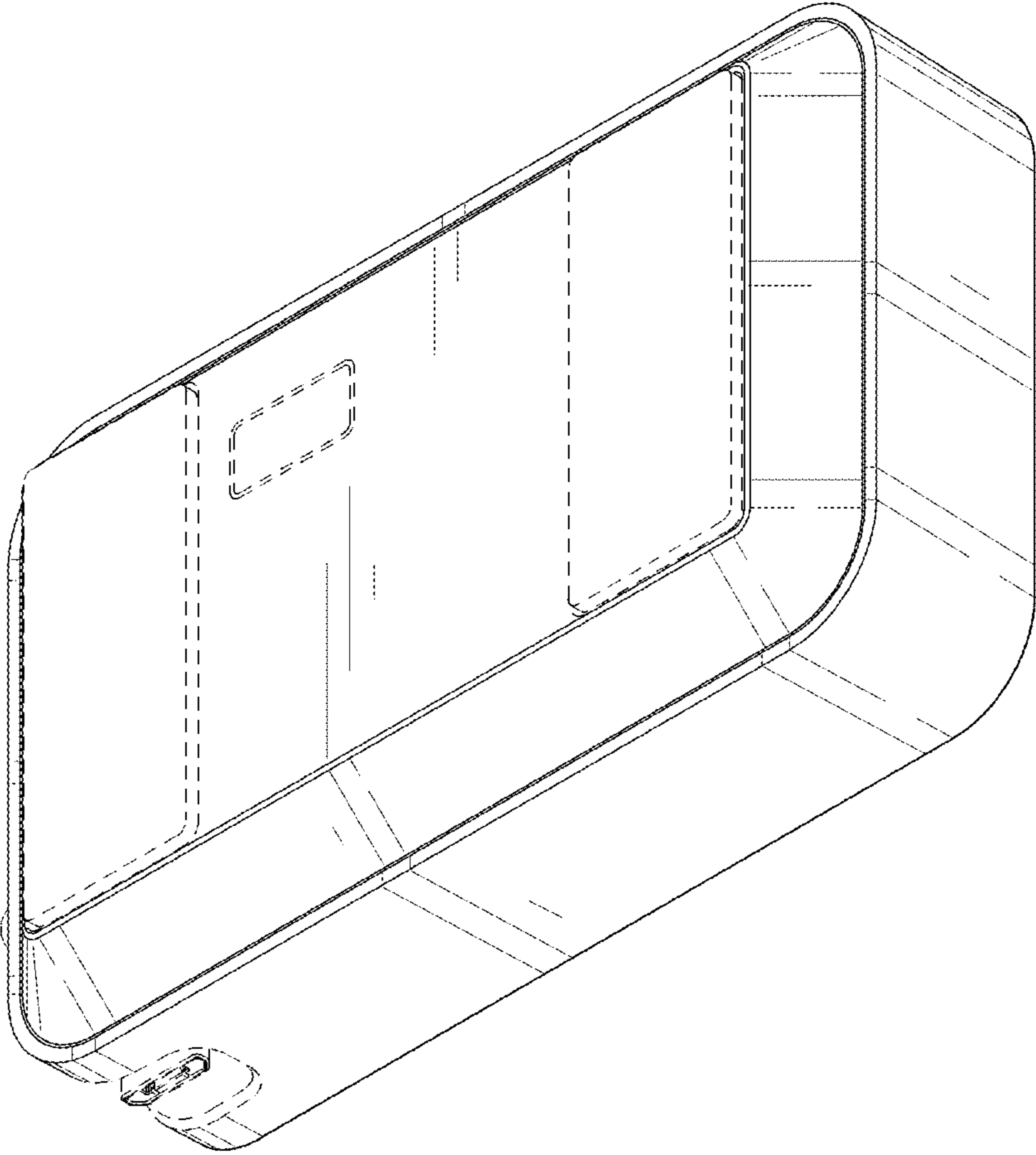


FIG. 2

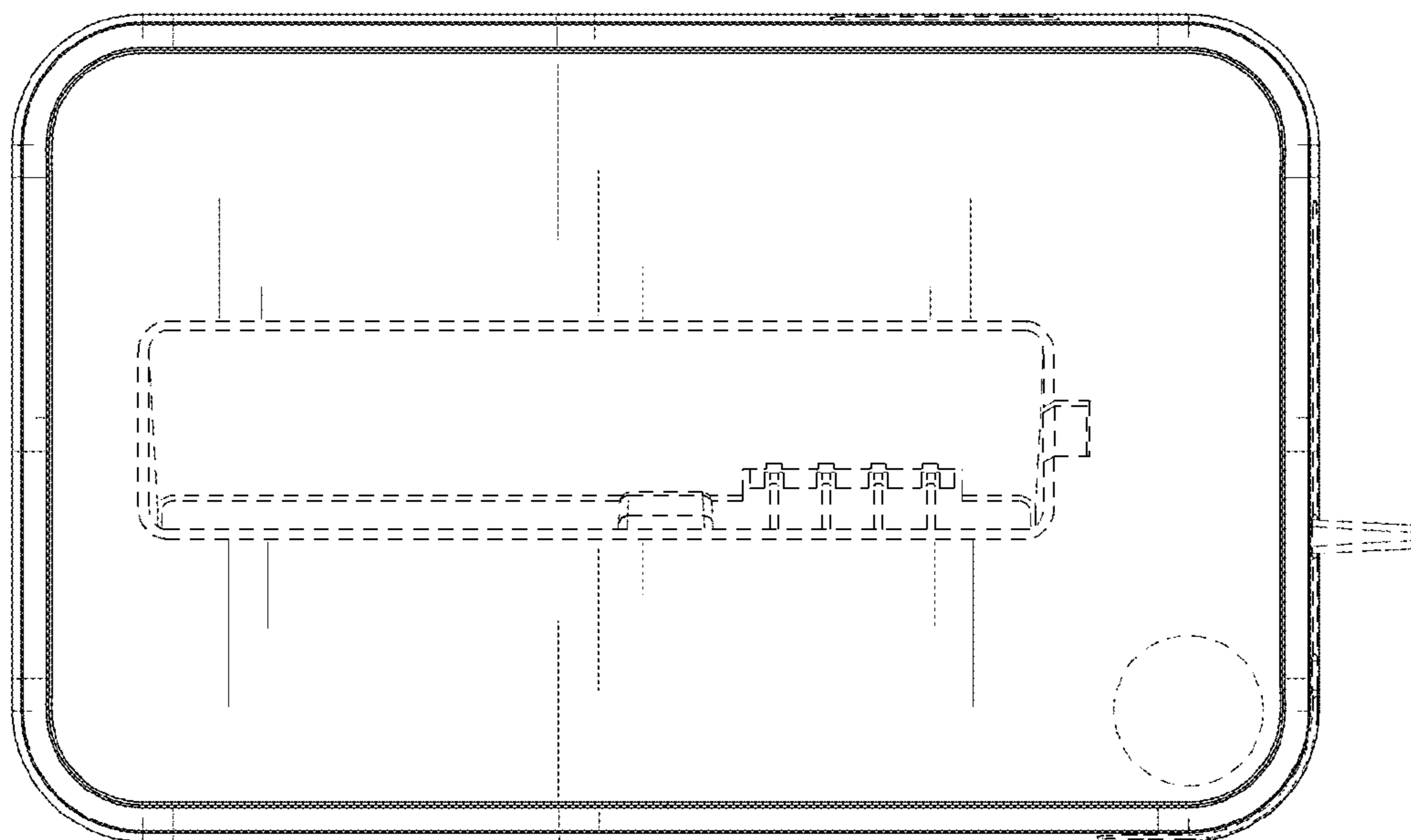


FIG. 3

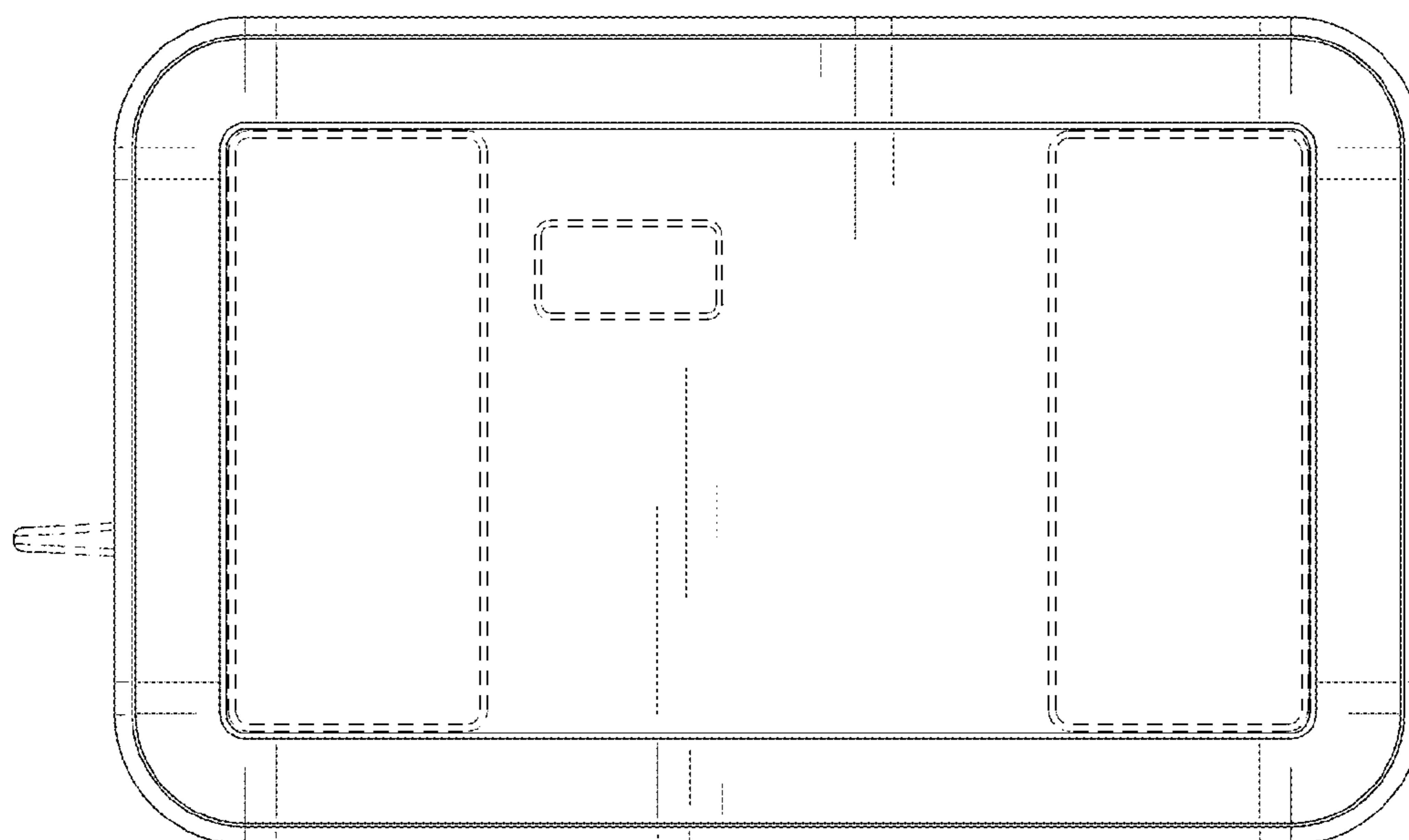


FIG. 4

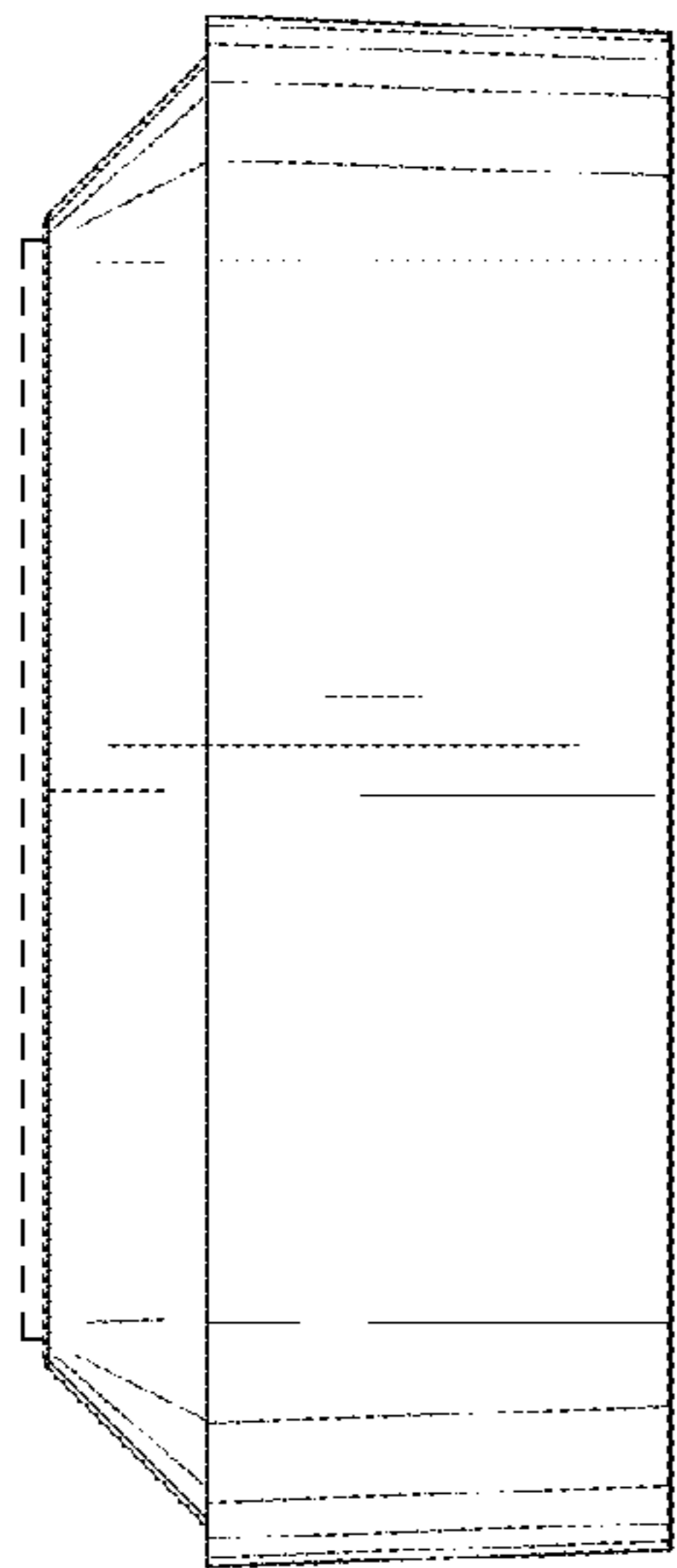


FIG. 5

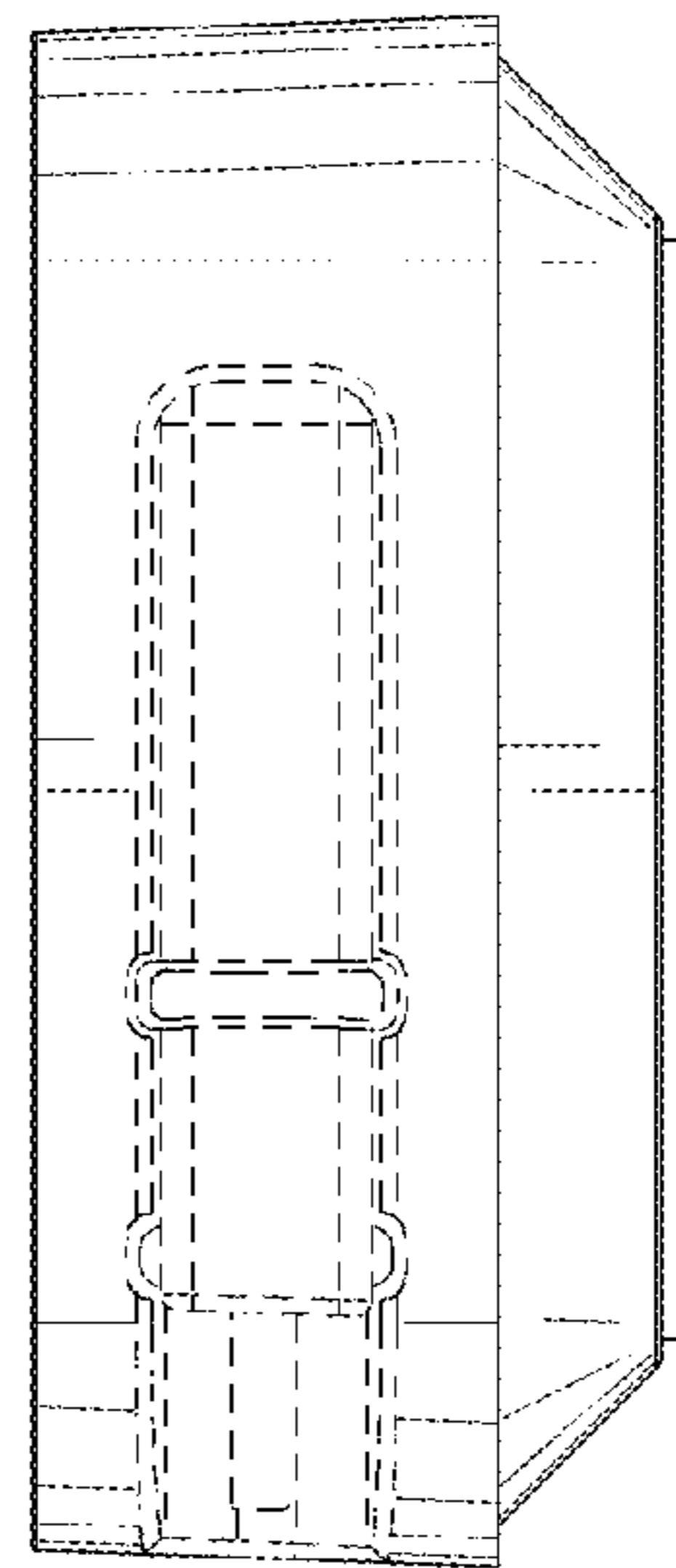


FIG. 6

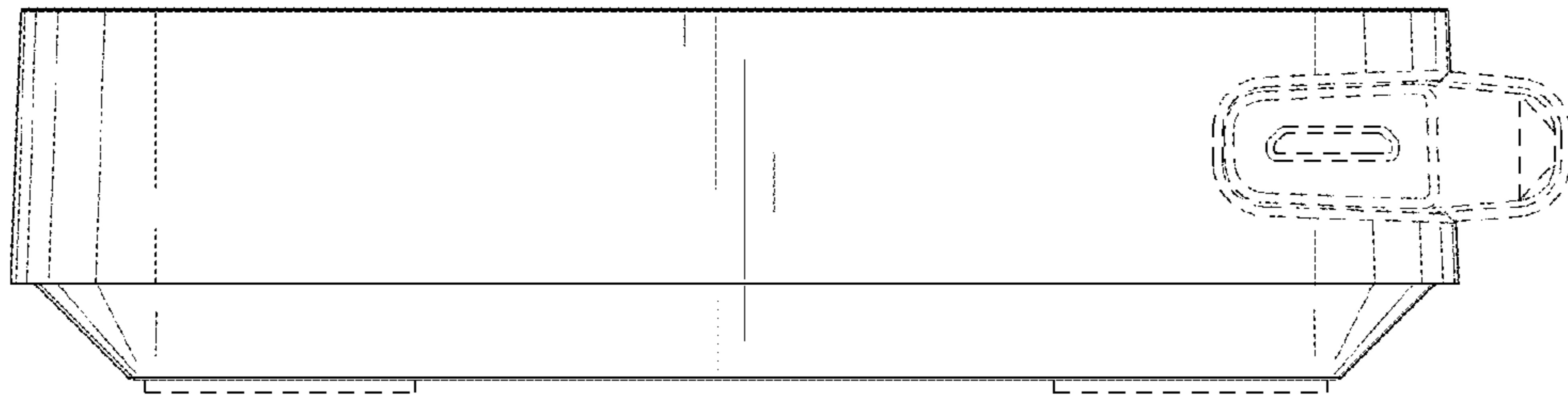


FIG. 7

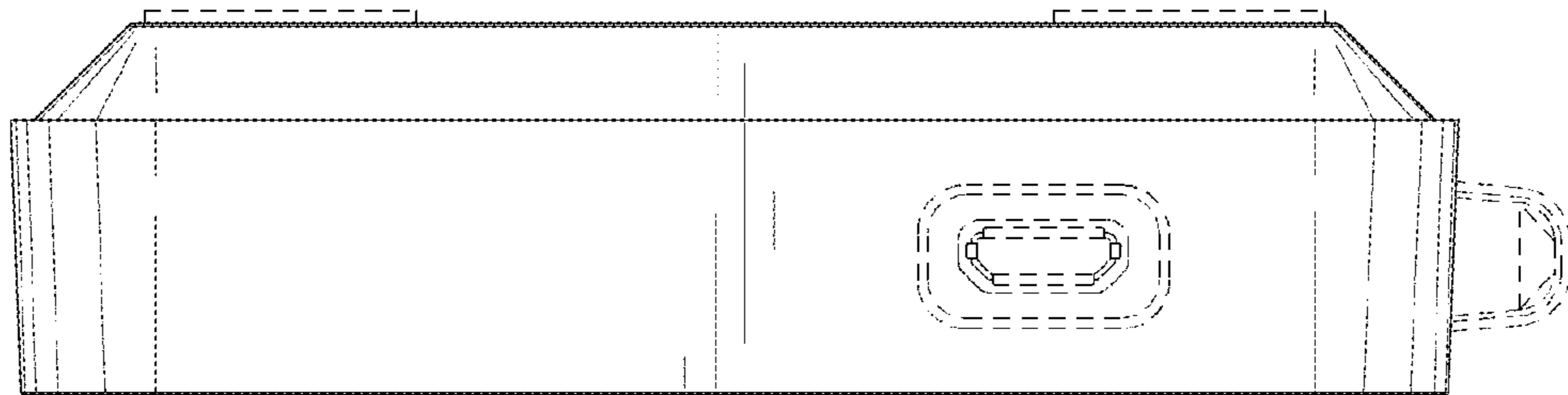


FIG. 8