



US00D714213S

(12) **United States Design Patent**
Rooyakkers et al.

(10) **Patent No.:** **US D714,213 S**

(45) **Date of Patent:** **** Sep. 30, 2014**

(54) **POWER MODULE**

D680,950 S * 4/2013 Nam et al. D13/103
D695,681 S * 12/2013 Nam et al. D13/103
D699,671 S * 2/2014 Walz et al. D13/103

(71) Applicant: **Bedrock Automation Platforms Inc.**,
San Jose, CA (US)

* cited by examiner

(72) Inventors: **Albert Rooyakkers**, Sunnyvale, CA
(US); **Ken Doucette**, Norton, MA (US)

Primary Examiner — Rosemary K Tarcza

(74) *Attorney, Agent, or Firm* — Advent, LLP

(73) Assignee: **Bedrock Automation Platforms Inc.**,
San Jose, CA (US)

(57) **CLAIM**

The ornamental design for a power module, as shown and described.

(**) Term: **14 Years**

(21) Appl. No.: **29/462,576**

DESCRIPTION

(22) Filed: **Aug. 6, 2013**

(51) **LOC (10) Cl.** **13-02**

(52) **U.S. Cl.**
USPC **D13/103**

(58) **Field of Classification Search**
USPC D13/102–104, 107–108, 110, 118–121,
D13/184, 199; 429/96–100, 163, 176
See application file for complete search history.

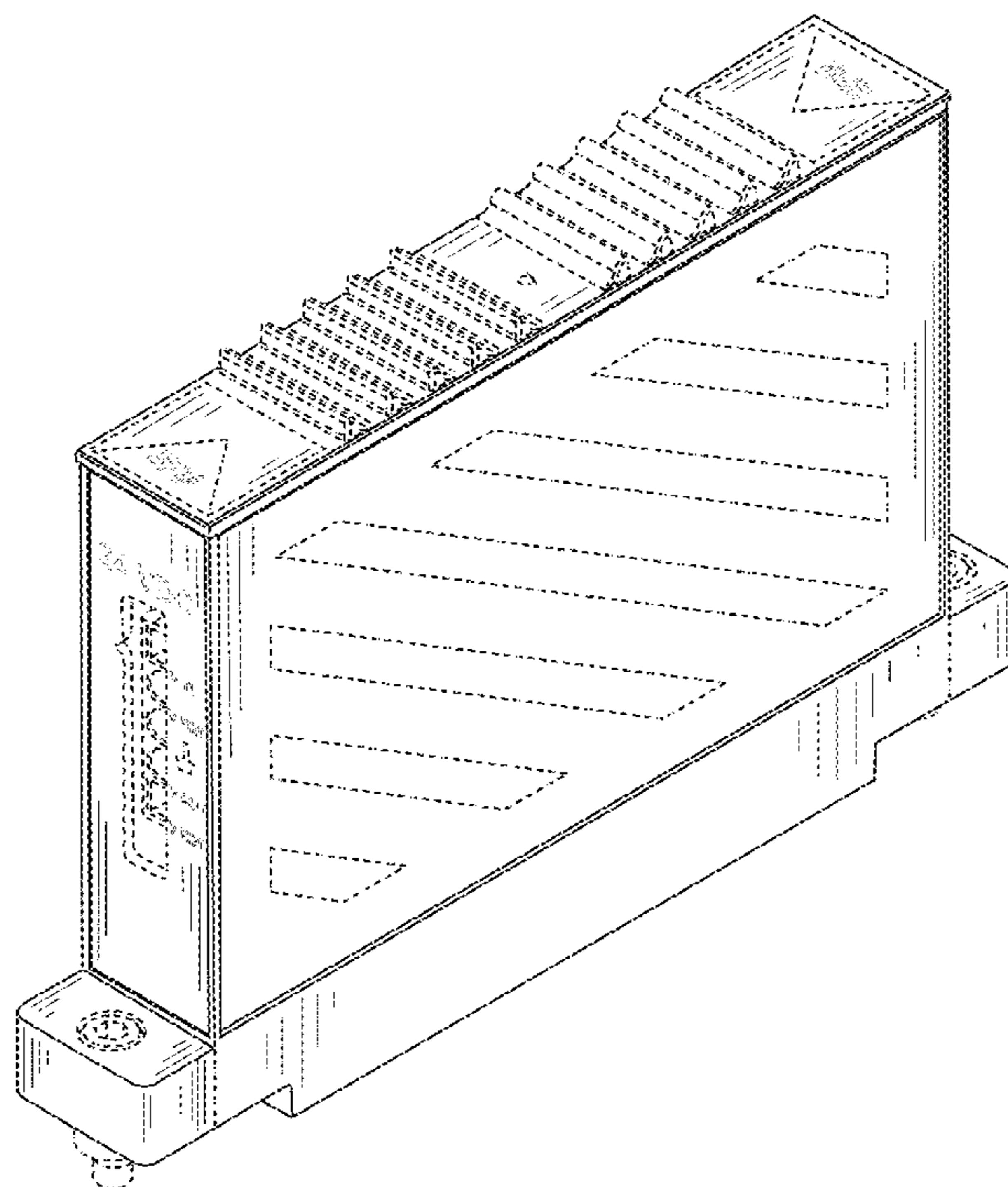
FIG. 1 is a first isometric view of a power module.
FIG. 2 is a top plan view of the power module of FIG. 1.
FIG. 3 is a first end elevation view of the power module of FIG. 1.
FIG. 4 is a first side elevation view of the power module of FIG. 1.
FIG. 5 is a second end elevation view of the power module of FIG. 1.
FIG. 6 is a second side elevation view of the power module of FIG. 1.
FIG. 7 is a bottom plan view of the power module of FIG. 1; and,
FIG. 8 is a second isometric view of the power module of FIG. 1.
Portions of FIGS. 1 through 8 are shown in broken lines for illustrative purposes only and form no part of the claimed design.

(56) **References Cited**

U.S. PATENT DOCUMENTS

D481,008 S * 10/2003 Wade D13/103
D492,248 S * 6/2004 Gregory et al. D13/103
D507,783 S * 7/2005 Phipps et al. D13/184
D508,026 S * 8/2005 Phipps et al. D13/184
D508,897 S * 8/2005 Phipps et al. D13/184
D591,230 S * 4/2009 Tasai D13/103
D592,129 S * 5/2009 Masuda et al. D13/103
D678,185 S * 3/2013 Horiuchi et al. D13/103

1 Claim, 5 Drawing Sheets



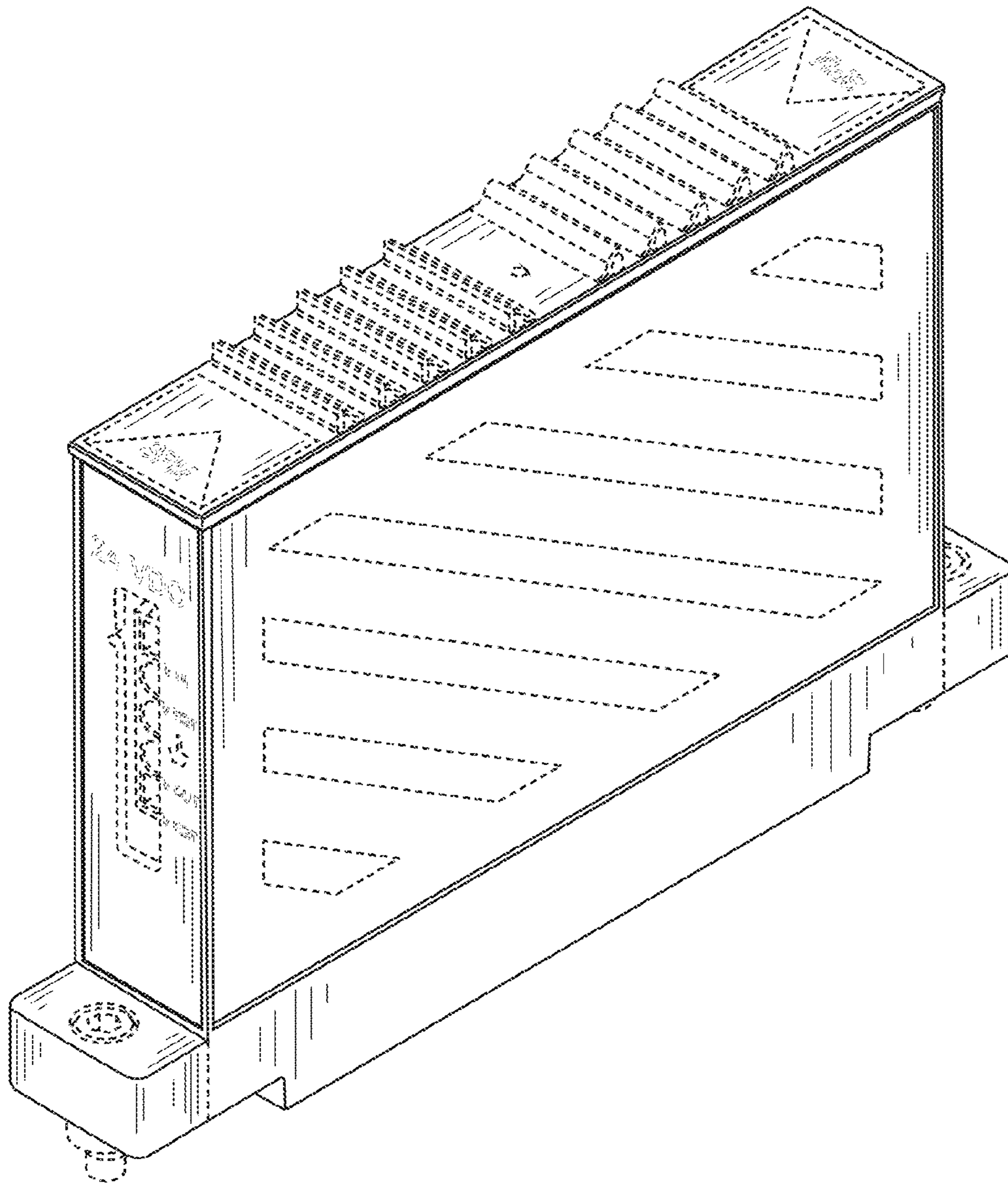


FIG. 1

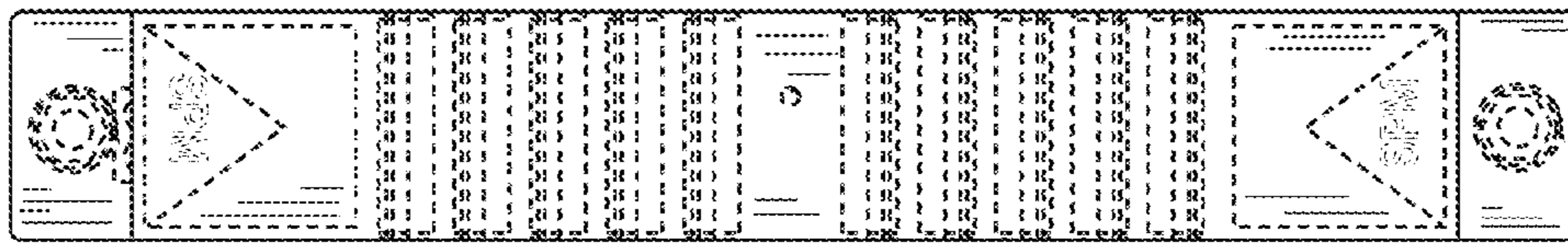


FIG. 2

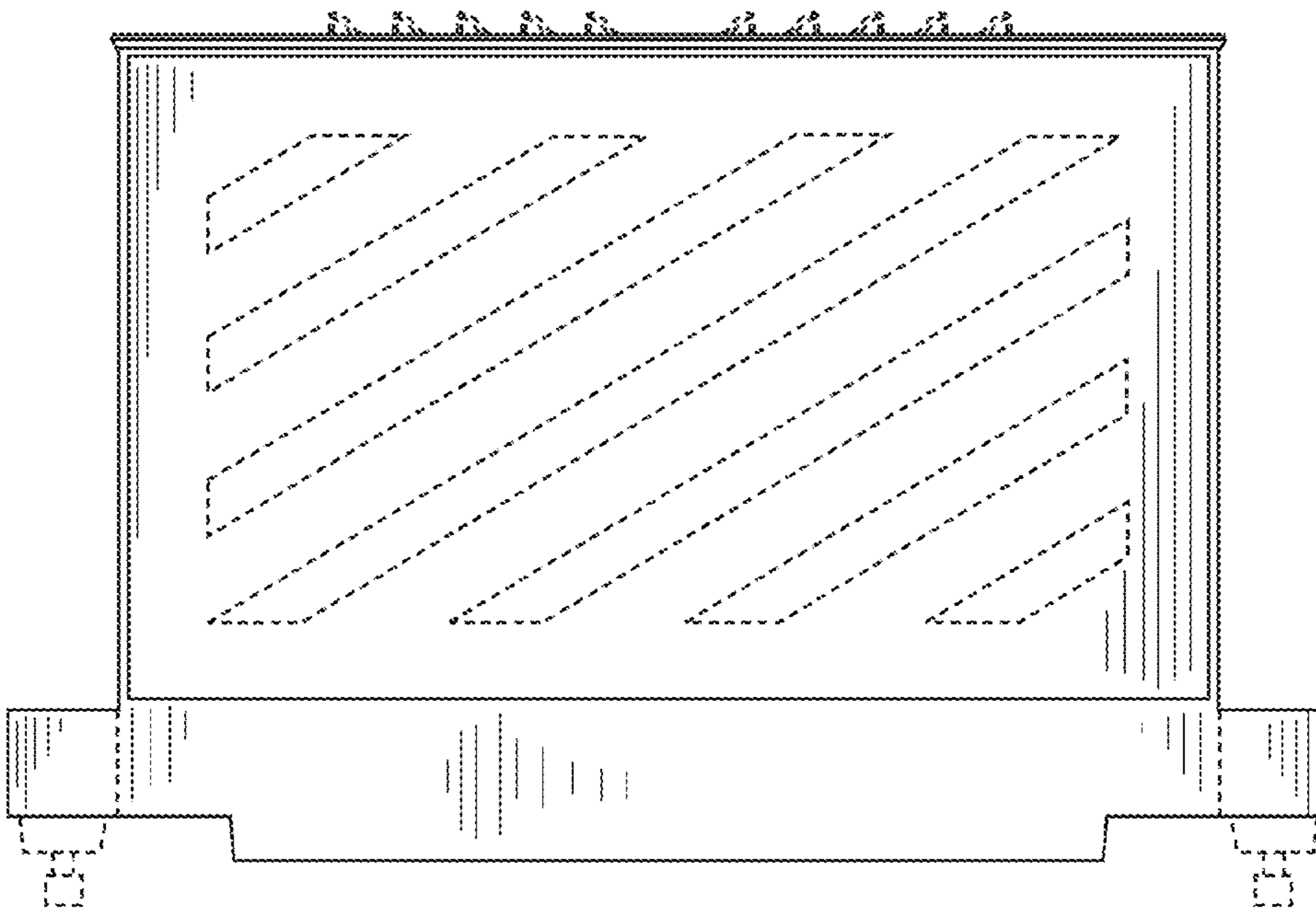


FIG. 3

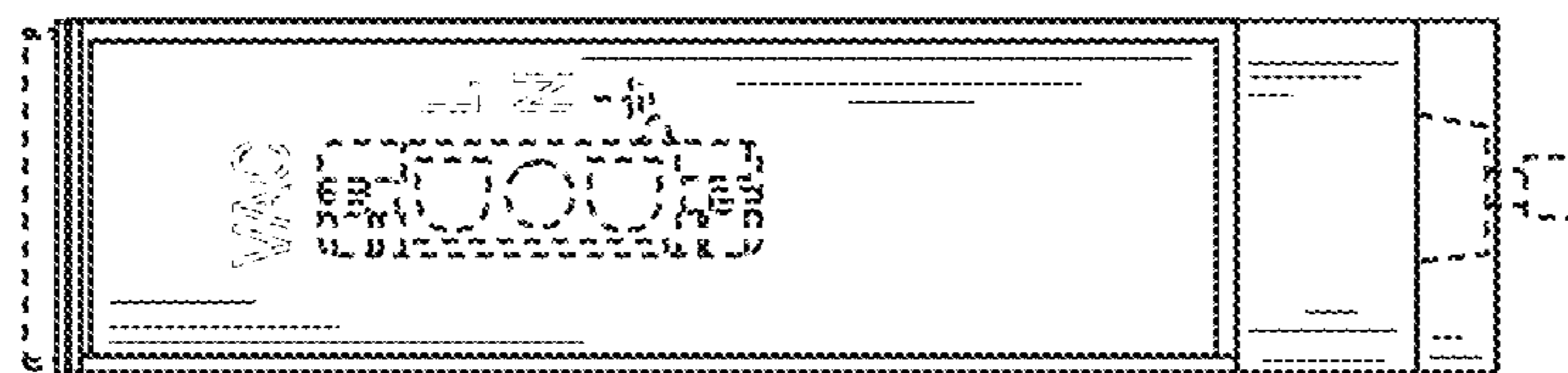
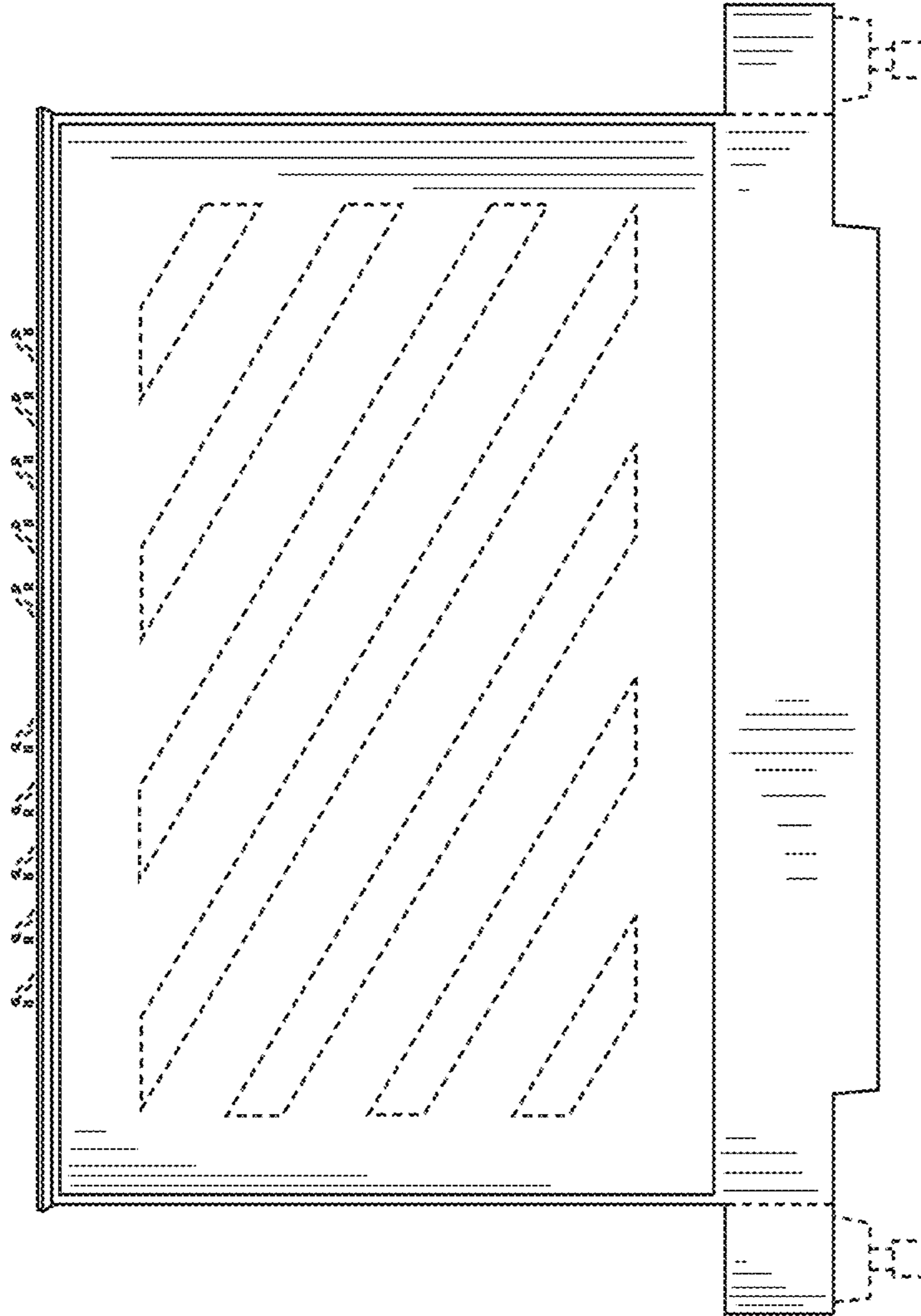


FIG. 4

FIG. 5

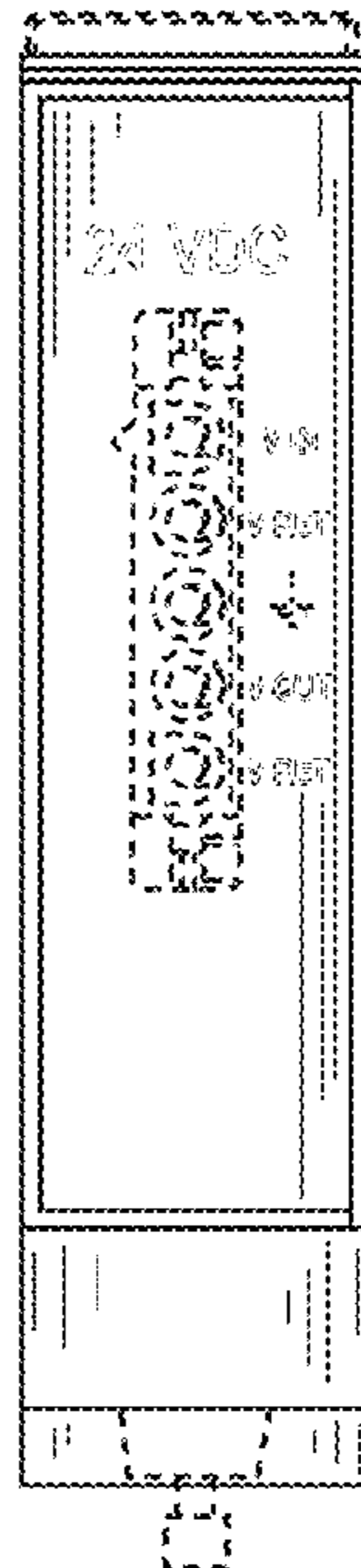


FIG. 6

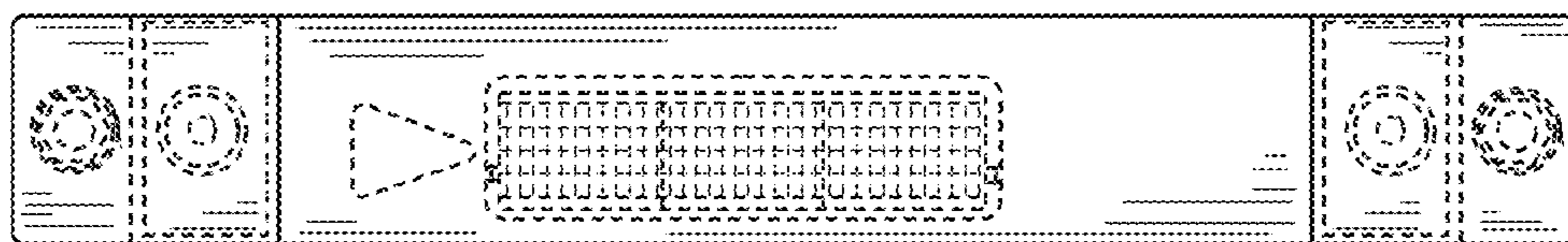


FIG. 7

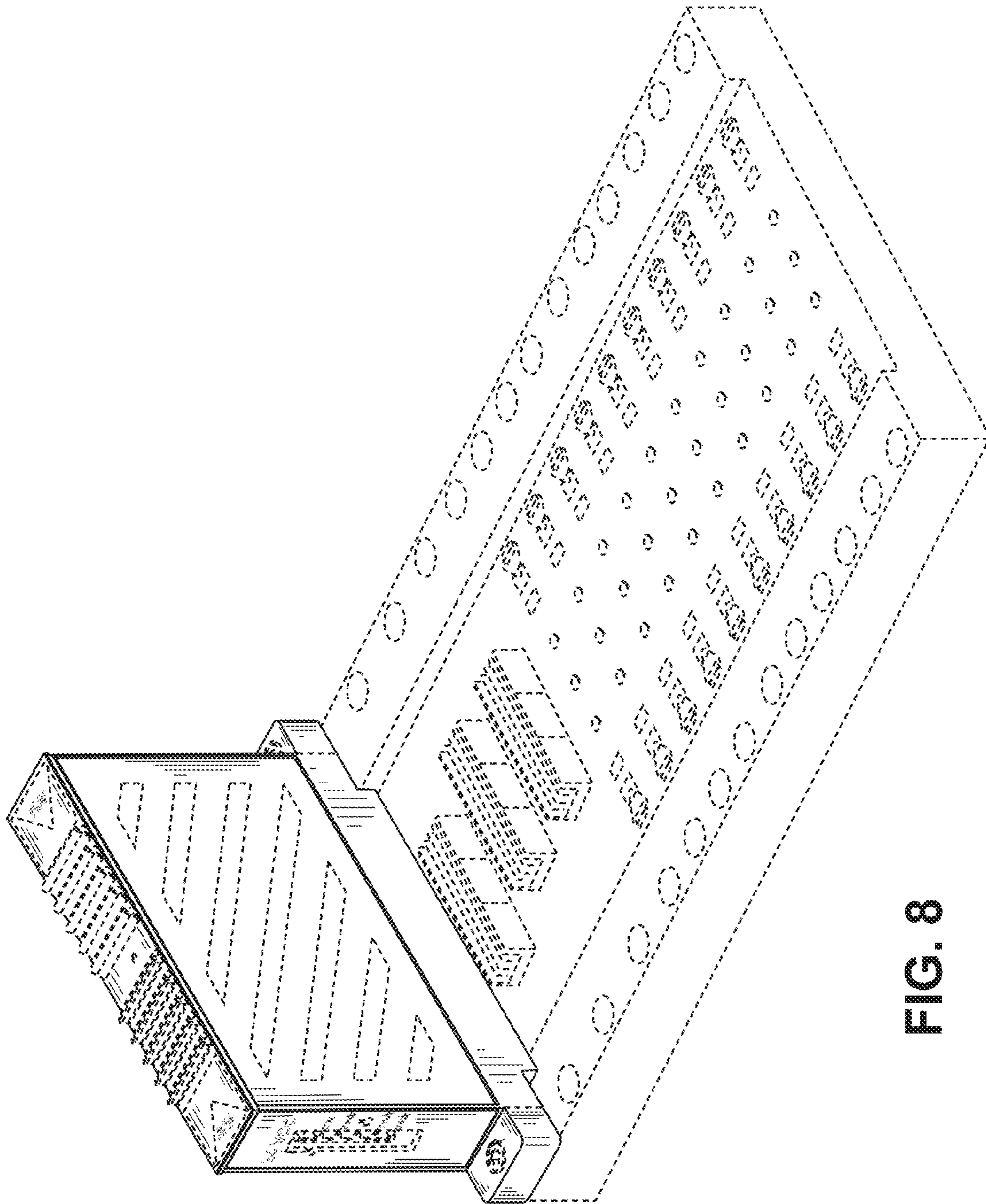


FIG. 8