



US00D714208S

(12) **United States Design Patent**  
**Chung**

(10) **Patent No.:** **US D714,208 S**

(45) **Date of Patent:** **\*\* Sep. 30, 2014**

(54) **AUTOMOTIVE WHEEL**

(71) Applicant: **Suny Chung**, Anaheim, CA (US)

(72) Inventor: **Suny Chung**, Anaheim, CA (US)

(\*\*) Term: **14 Years**

(21) Appl. No.: **29/485,509**

(22) Filed: **Mar. 19, 2014**

(51) **LOC (10) Cl.** ..... **12-16**

(52) **U.S. Cl.**  
USPC ..... **D12/211**

(58) **Field of Classification Search**  
CPC ..... B60B 7/00; B60B 7/02; B60B 7/04;  
B60B 7/01; B60B 7/06; B60B 3/02; B60B  
3/04; B60B 3/06; B60B 3/10; B60B 1/00;  
B60B 1/08; B60B 1/10; B60B 1/12  
USPC ..... D12/204-213  
See application file for complete search history.

(56) **References Cited**

**U.S. PATENT DOCUMENTS**

D474,440 S \* 5/2003 Oh ..... D12/211  
D506,172 S \* 6/2005 Pfeiffer ..... D12/211

D510,309 S \* 10/2005 Cheng ..... D12/211  
D516,988 S \* 3/2006 Laengerer ..... D12/211  
D546,263 S \* 7/2007 Hernandez ..... D12/211  
D580,336 S \* 11/2008 Chung ..... D12/211  
D597,014 S \* 7/2009 Nissl ..... D12/211  
D604,685 S \* 11/2009 Zhou et al. .... D12/211  
D610,064 S \* 2/2010 Dilber et al. .... D12/211  
D625,245 S \* 10/2010 Hans et al. .... D12/211  
D681,535 S \* 5/2013 Zhao ..... D12/211  
D695,193 S \* 12/2013 Kong ..... D12/211  
D702,613 S \* 4/2014 Scheinhutte ..... D12/211  
D709,019 S \* 7/2014 Hale, Jr. .... D12/211

\* cited by examiner

*Primary Examiner* — Stacia Cadmus

(57) **CLAIM**

The ornamental design for an automotive wheel, as shown and described.

**DESCRIPTION**

FIG. 1 is a perspective view of an automotive wheel, showing my new design; and, FIG. 2 is a front view thereof. The broken line showing of the rear portion of the wheel is included for the purpose of illustrating environment and forms no part of the claimed design.

**1 Claim, 2 Drawing Sheets**

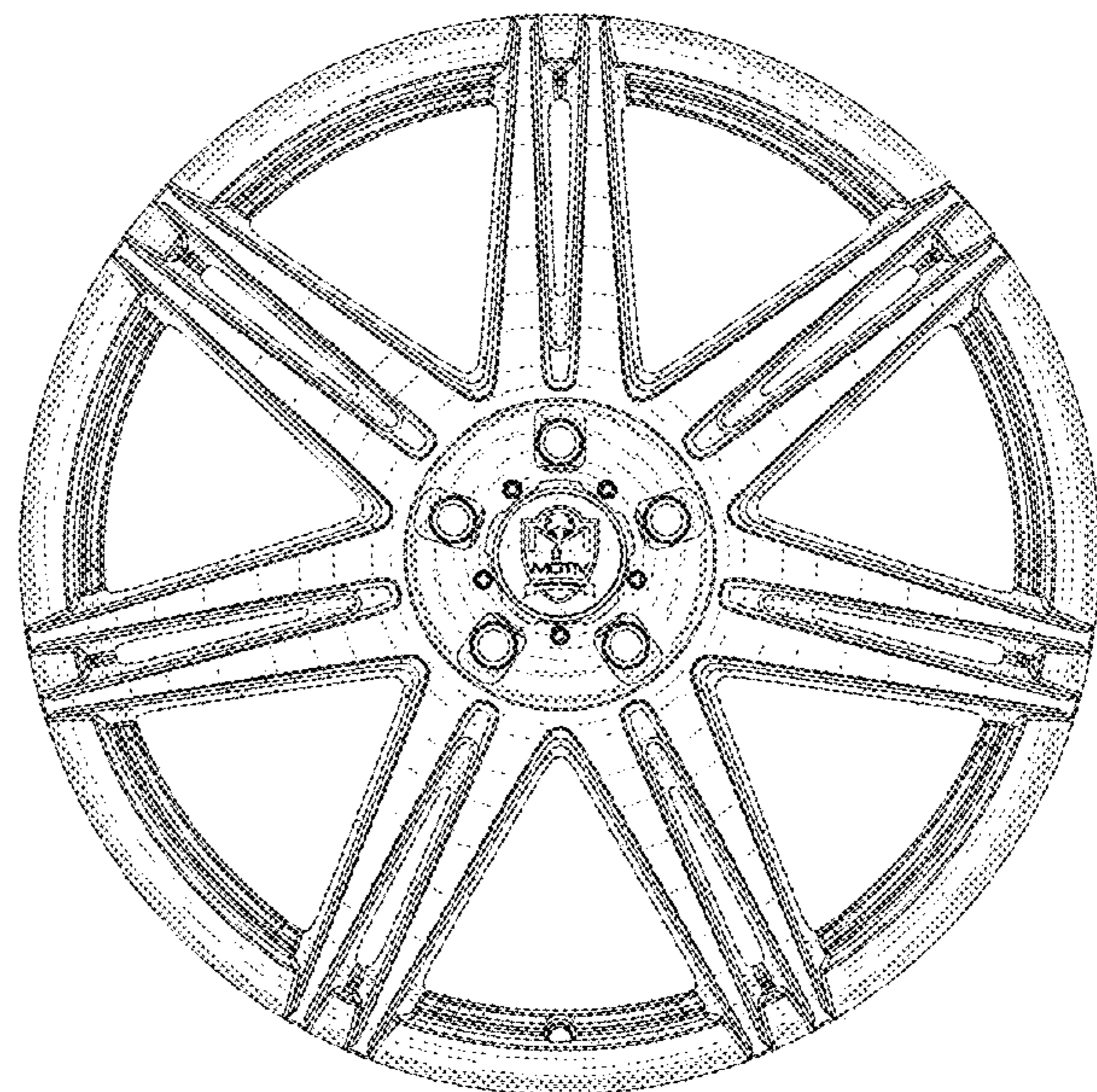
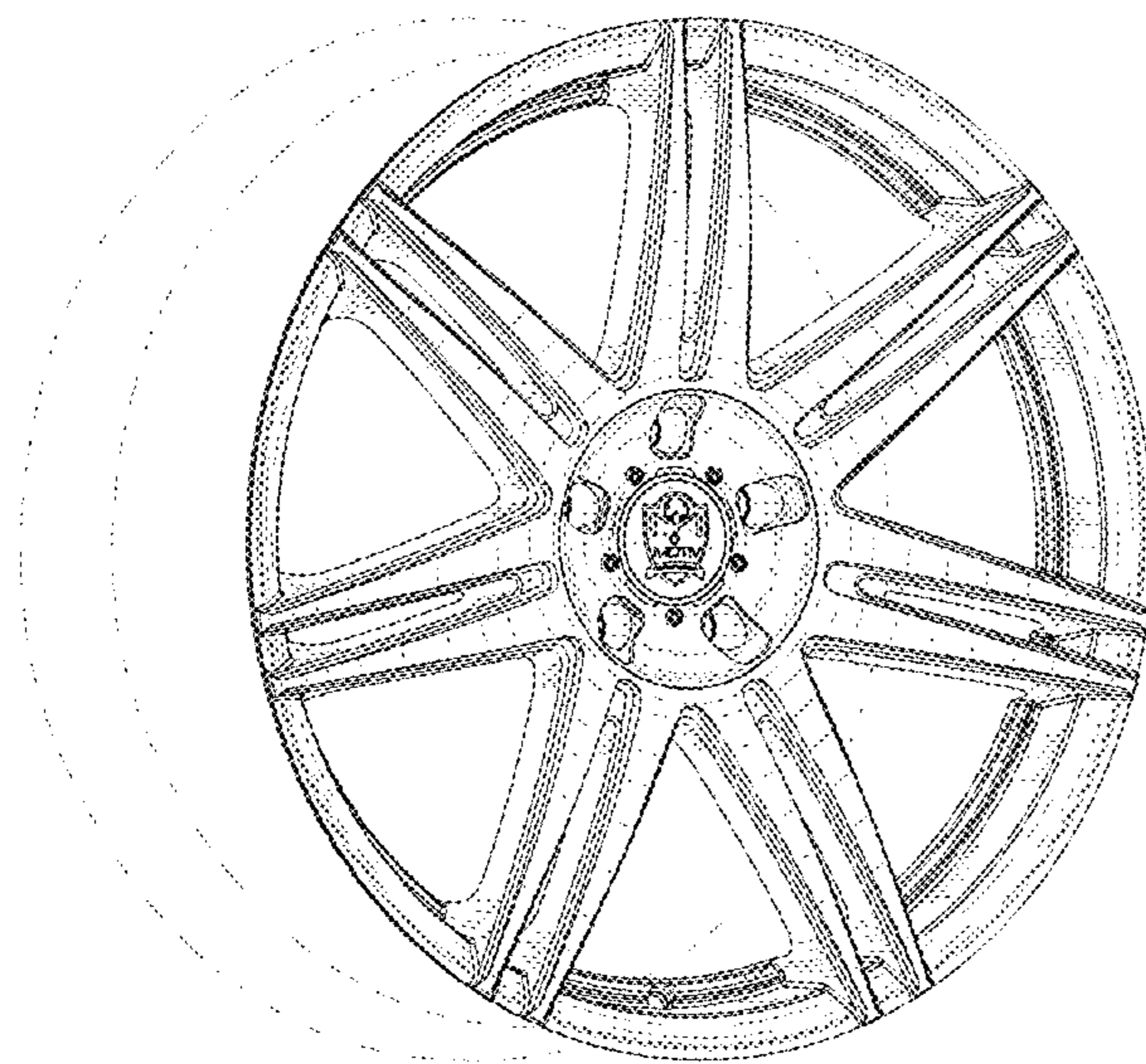


FIGURE 1

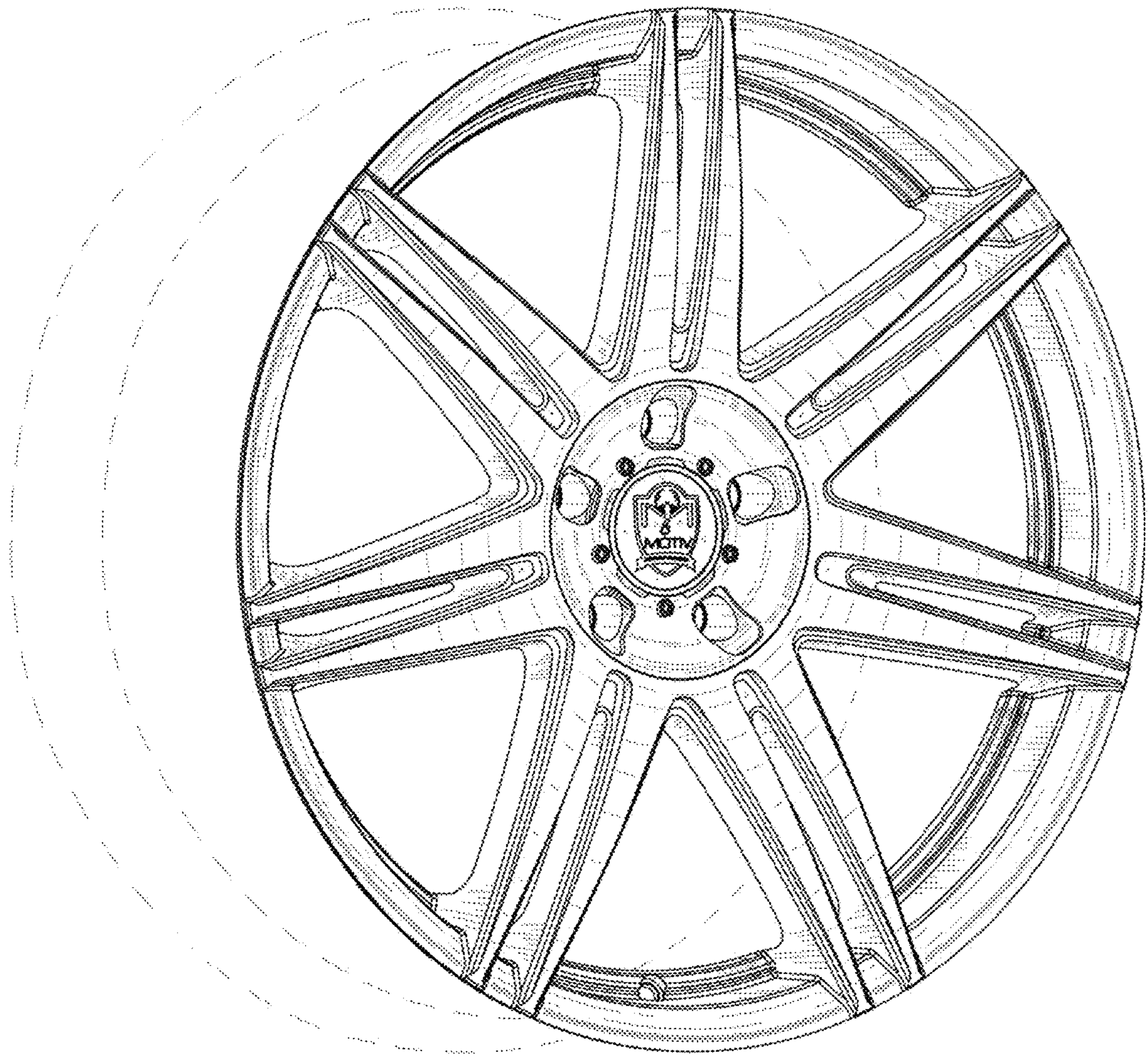


FIGURE 2

