



US00D714203S

(12) **United States Design Patent**
George et al.

(10) **Patent No.:** **US D714,203 S**

(45) **Date of Patent:** **** Sep. 30, 2014**

(54) **VEHICLE WHEEL**

(71) Applicant: **Ford Motor Company**, Dearborn, MI (US)

(72) Inventors: **Kevin George**, Canton, MI (US);
George Bucher, Dearborn, MI (US);
Steven Gilmore, Redford, MI (US);
Shawn Wehrly, Royal Oak, MI (US)

(73) Assignee: **Ford Motor Company**, Dearborn, MI (US)

(**) Term: **14 Years**

(21) Appl. No.: **29/476,061**

(22) Filed: **Dec. 10, 2013**

(51) **LOC (10) Cl.** **12-16**

(52) **U.S. Cl.**
USPC **D12/209**

(58) **Field of Classification Search**
USPC D12/204-213; 301/37.101, 64.101, 65,
301/64.201
See application file for complete search history.

(56) **References Cited**

U.S. PATENT DOCUMENTS

D535,238 S * 1/2007 Kim D12/209
D584,672 S * 1/2009 Osborne D12/209

D601,074 S * 9/2009 Buschmann D12/209
D630,564 S * 1/2011 Baum D12/209
D645,391 S * 9/2011 Weil D12/209
D651,956 S * 1/2012 Ectors et al. D12/209
D655,659 S * 3/2012 Schweizer D12/209
D658,108 S * 4/2012 Fetherston et al. D12/211
D663,249 S * 7/2012 Zhang D12/211
D671,057 S * 11/2012 Tanevski et al. D12/209
D686,128 S * 7/2013 Baum et al. D12/209
D697,009 S * 1/2014 Pollmann D12/209

* cited by examiner

Primary Examiner — Stacia Cadmus

(74) *Attorney, Agent, or Firm* — Damian Porcari

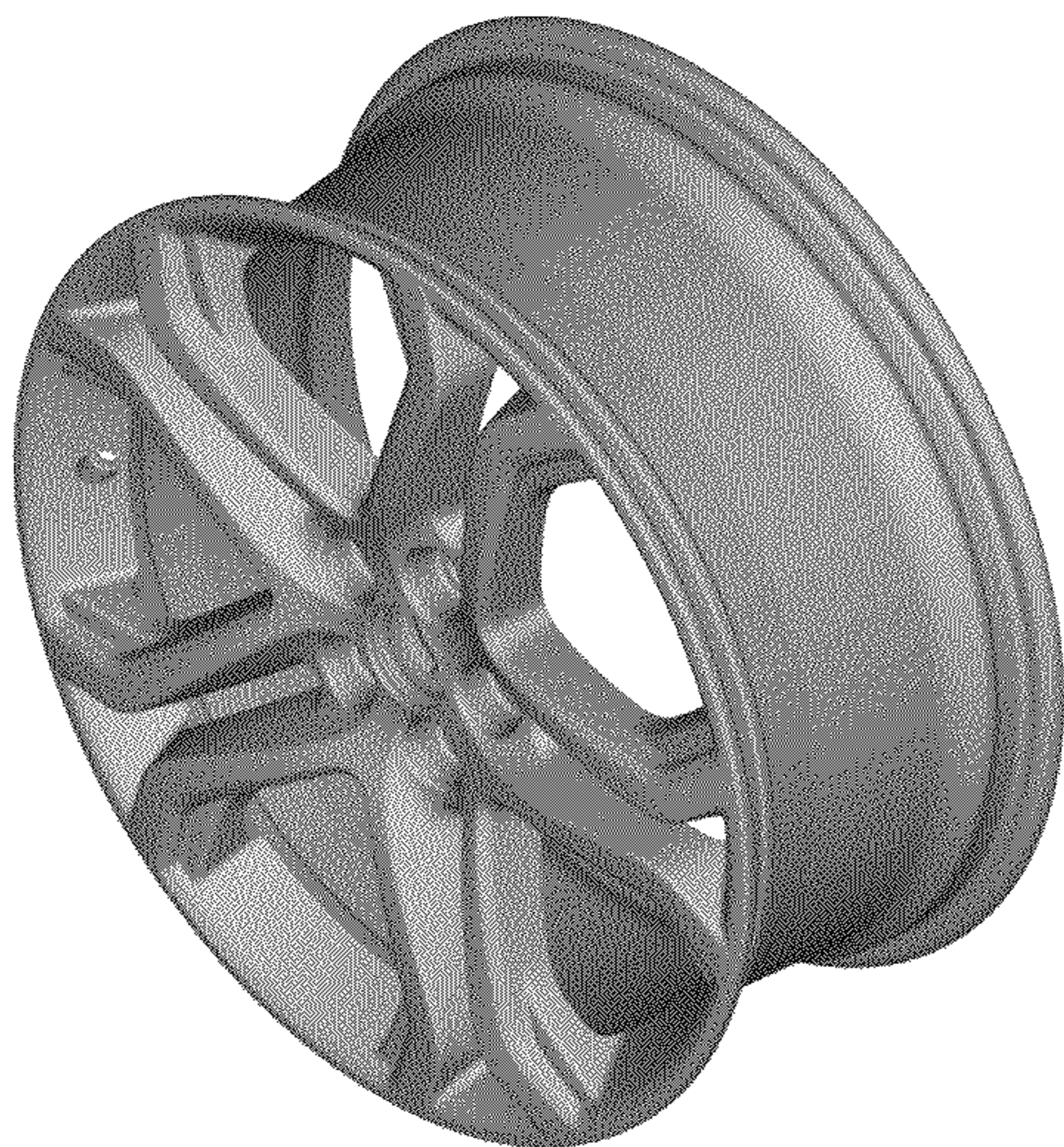
(57) **CLAIM**

The ornamental design for a vehicle wheel, as shown and described.

DESCRIPTION

FIG. 1 is a perspective view of a vehicle wheel;
FIG. 2 is another perspective view thereof;
FIG. 3 is front elevational view thereof;
FIG. 4 is a left side elevational view thereof;
FIG. 5 is a right side elevational view thereof;
FIG. 6 is a top plan view thereof; and,
FIG. 7 is a bottom plan view thereof.

1 Claim, 7 Drawing Sheets



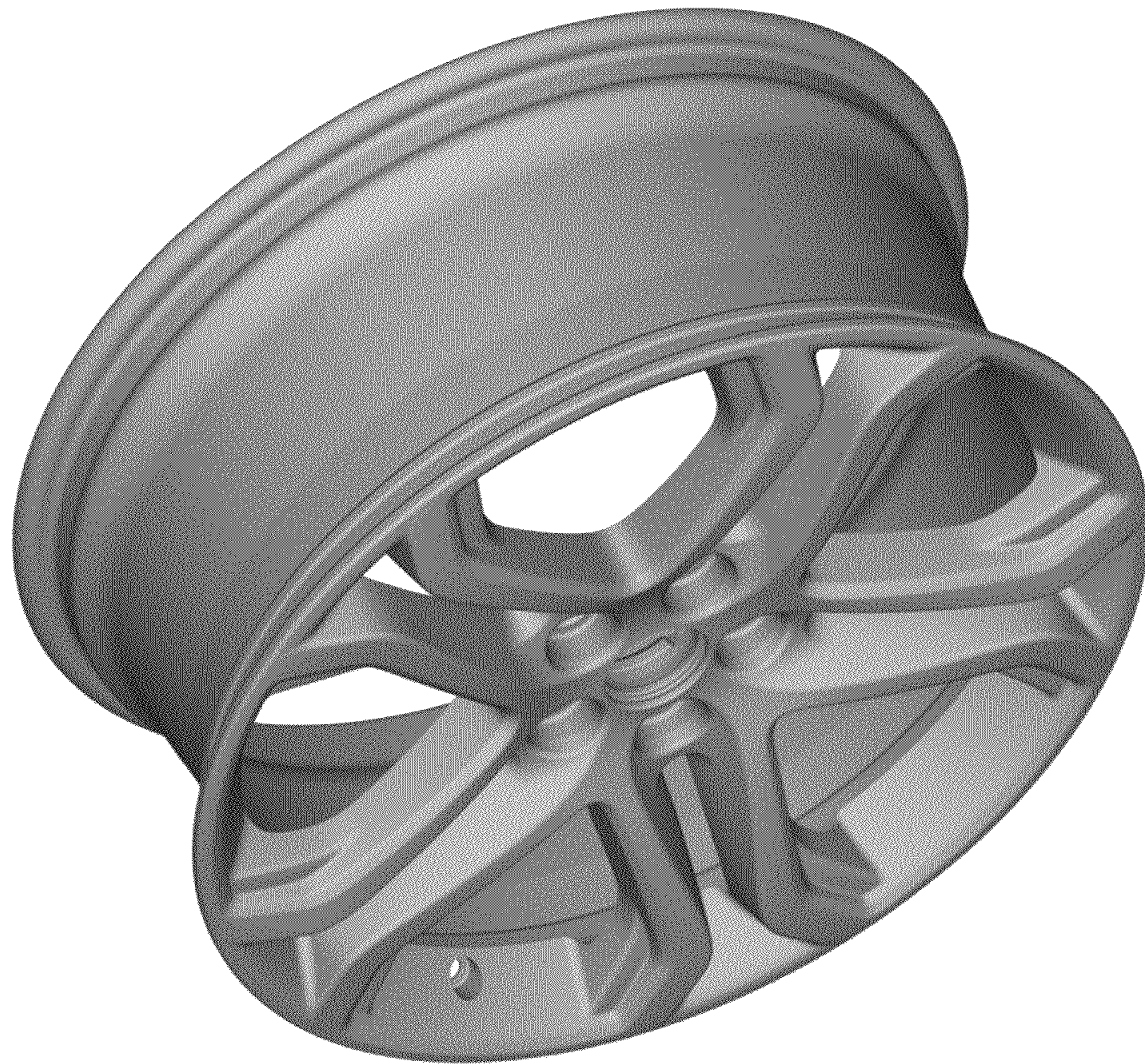


Figure 1

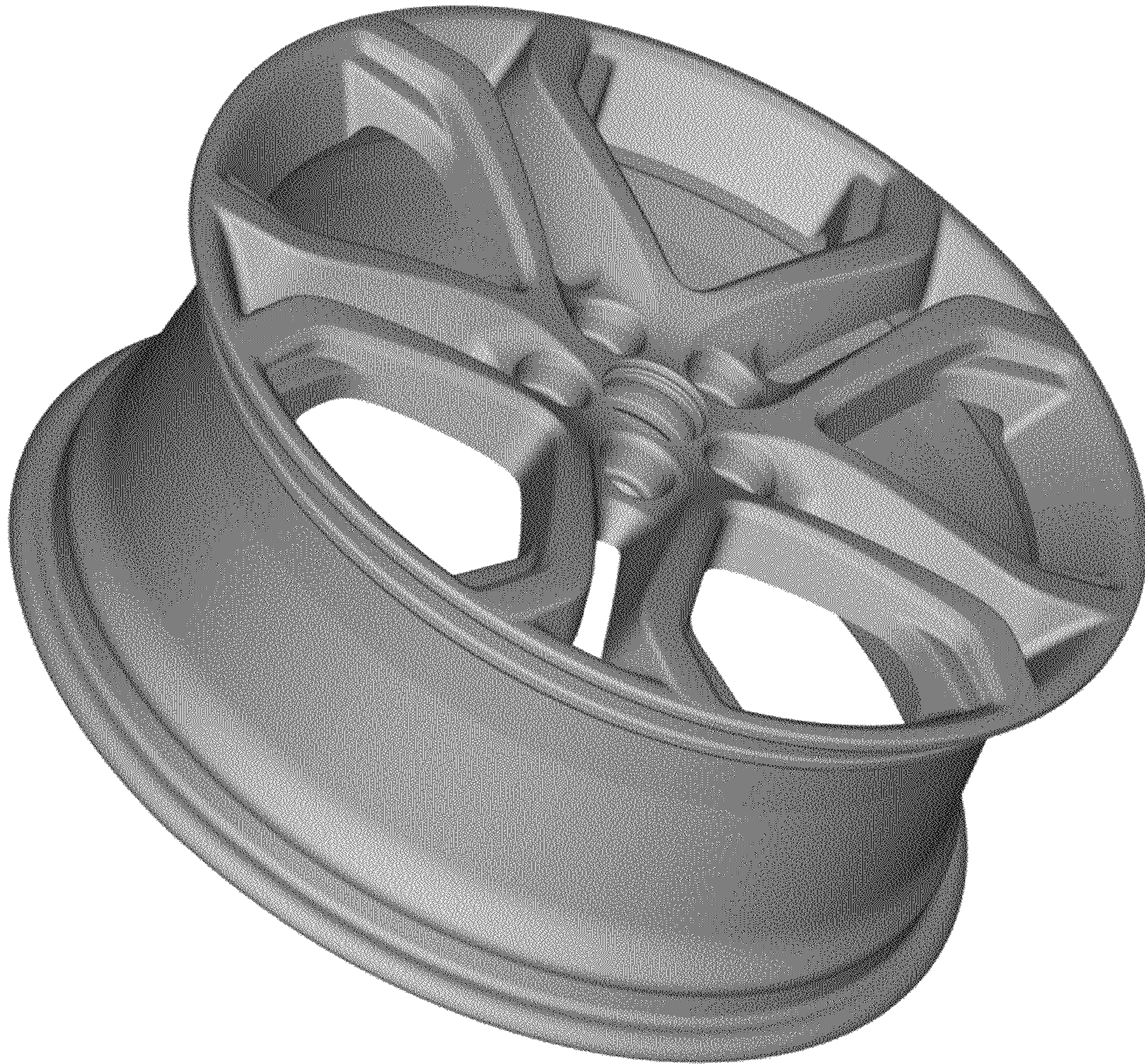


Figure 2



Figure 3



Figure 4



Figure 5



Figure 6



Figure 7