



US00D714200S

(12) **United States Design Patent**
Ito et al.

(10) **Patent No.:** **US D714,200 S**

(45) **Date of Patent:** **** Sep. 30, 2014**

(54) **REAR LICENSE PLATE FINISH PANEL OF A TRUCK VEHICLE**

(56) **References Cited**

U.S. PATENT DOCUMENTS

(71) Applicant: **International Truck Intellectual Property Company, LLC**, Lisle, IL (US)

(72) Inventors: **Chris Isamu Ito**, Sugar Grove, IL (US); **Glen Joel Durmisevich**, Rochester Hills, MI (US); **John Song**, Palatine, IL (US); **Patrick James Quinn**, Naperville, IL (US); **Jonathan Allen Wicks**, Batavia, IL (US)

3,601,594	A *	8/1971	Carbary	362/467
5,628,536	A *	5/1997	Fulkerson	293/117
6,260,893	B1 *	7/2001	Wilson	293/120
6,736,434	B2 *	5/2004	Anderson et al.	293/102
D541,713	S *	5/2007	Mahoney et al.	D12/169
D614,546	S *	4/2010	Bennett et al.	D12/169
D670,611	S *	11/2012	Riggs et al.	D12/100
D670,615	S *	11/2012	Parkes et al.	D12/100
2001/0035658	A1 *	11/2001	Anderson et al.	293/120
2001/0038213	A1 *	11/2001	Fox et al.	293/102
2007/0176441	A1 *	8/2007	Lau et al.	293/115
2010/0065298	A1 *	3/2010	Bikhleyzer	174/68.3
2011/0204680	A1 *	8/2011	Fortin	296/193.1

(73) Assignee: **International Truck Intellectual Property Company, LLC**, Lisle, IL (US)

* cited by examiner

Primary Examiner — Eric Goodman

Assistant Examiner — Ryan Harvey

(**) Term: **14 Years**

(74) *Attorney, Agent, or Firm* — Jeffrey P. Calfa; Mark C. Bach; Gerald W. Askew

(21) Appl. No.: **29/450,607**

(22) Filed: **Mar. 20, 2013**

(57) **CLAIM**

(51) **LOC (10) Cl.** **12-16**

The ornamental design for a rear license plate finish panel of a truck vehicle, as shown and described.

(52) **U.S. Cl.**

USPC **D12/196**

DESCRIPTION

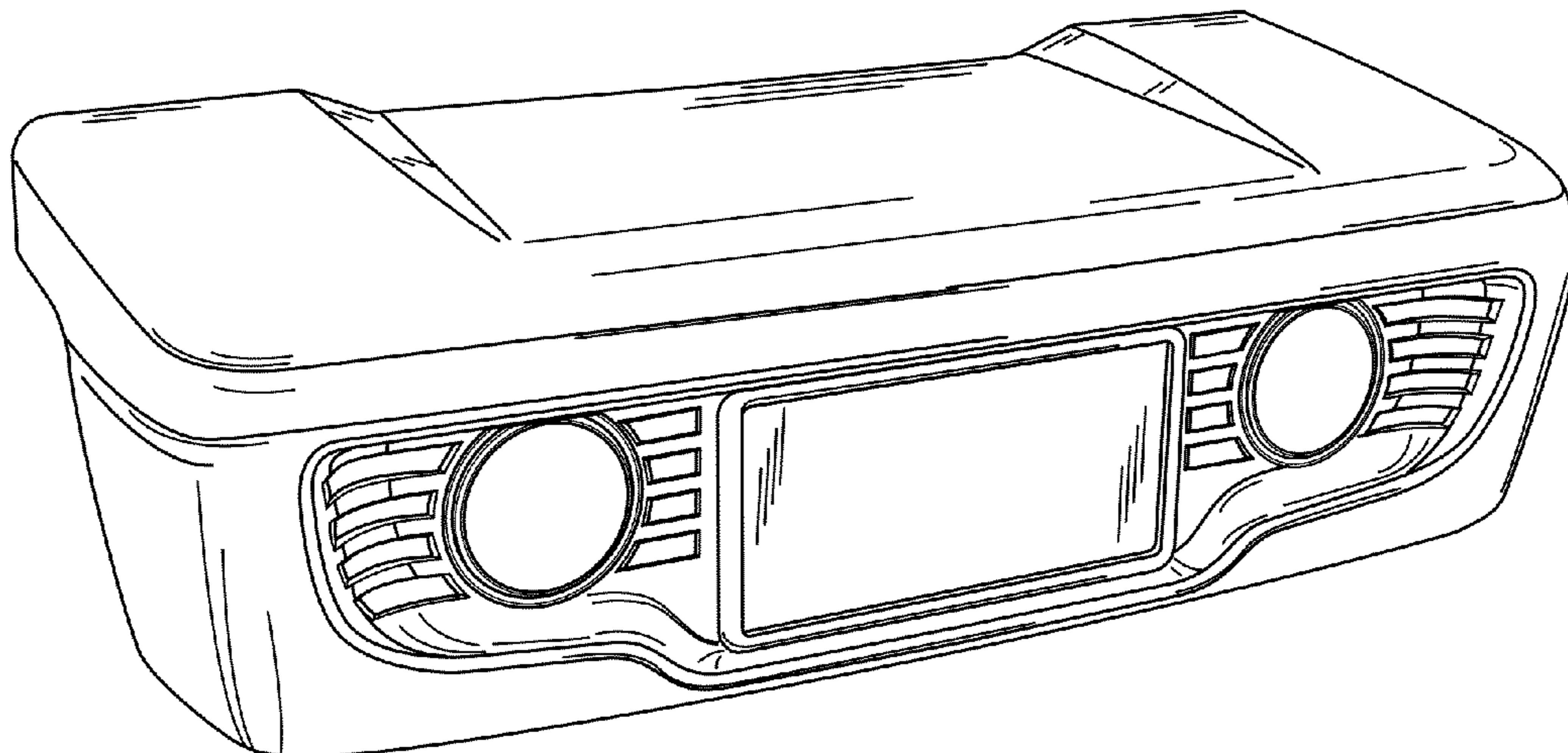
(58) **Field of Classification Search**

USPC D12/196, 163, 216, 96; 348/148, 348/E7.085; 293/115, 102, 120, 118, 119, 293/132, 117, 121, 122, 155, 133; 296/193.1, 187.04, 187.09, 193.09, 296/190.07, 190.08, 203.02; 180/68.6, 180/68.1, 68.4, 89.17; 362/467, 507, 505, 362/506, 546, 549, 496, 497; 29/453; 280/507; 52/473, 668, 669, 667; 165/319.3, 319.7, 68, 71, 76; 403/353, 403/386; 428/319.3, 319.7, 68, 71, 76

FIG. 1 is a FRONT AND RIGHT SIDE PERSPECTIVE view of a rear license plate finish panel of a truck vehicle showing our new design;
FIG. 2 is a TOP PLAN view thereof;
FIG. 3 is a BOTTOM PLAN view thereof;
FIG. 4 is a FRONT ELEVATION view thereof; and,
FIG. 5 is a RIGHT SIDE ELEVATION view thereof.
The broken lines in the drawing depict environmental subject matter and form no part of the claimed design.

See application file for complete search history.

1 Claim, 3 Drawing Sheets



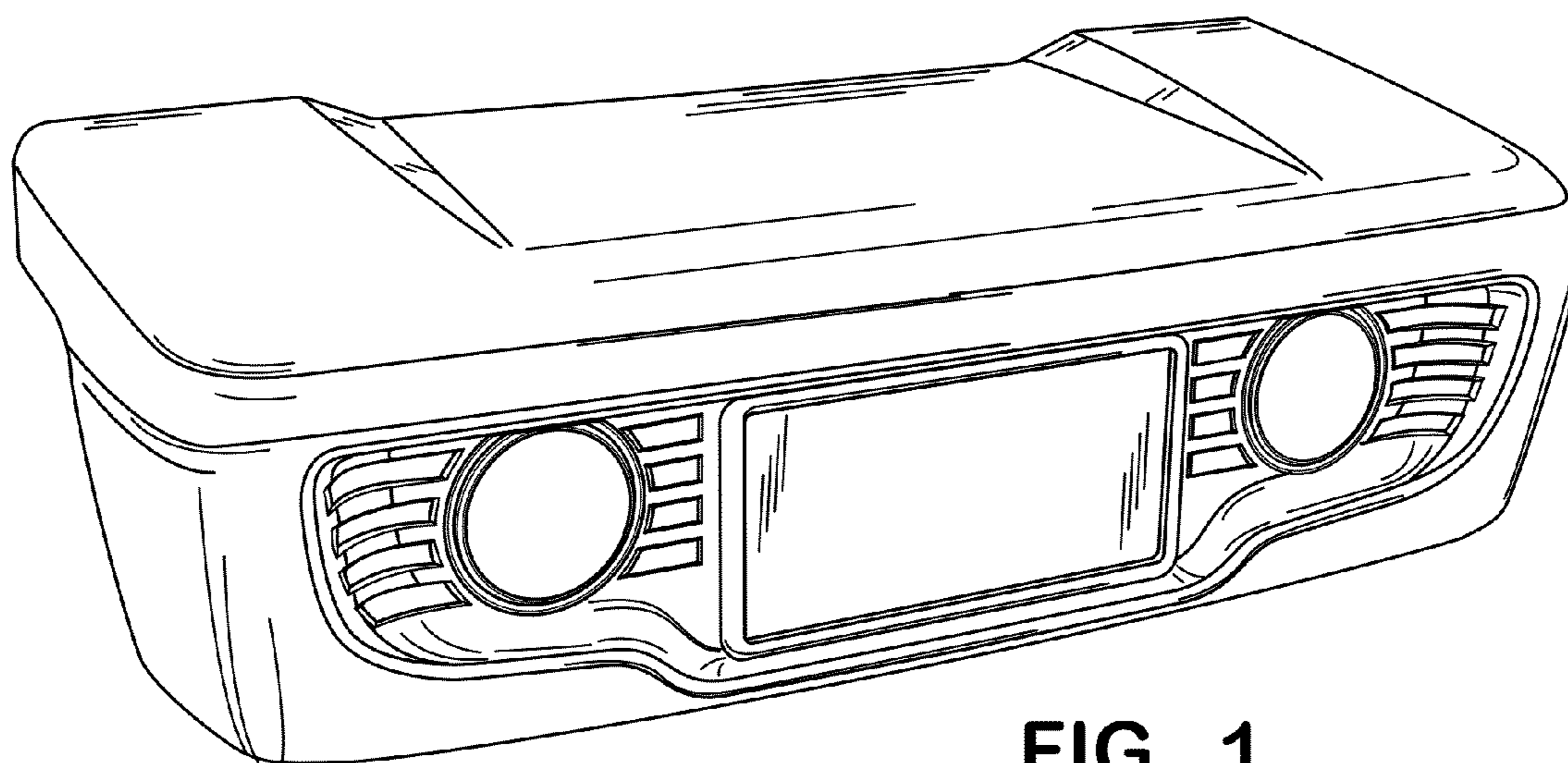


FIG. 1

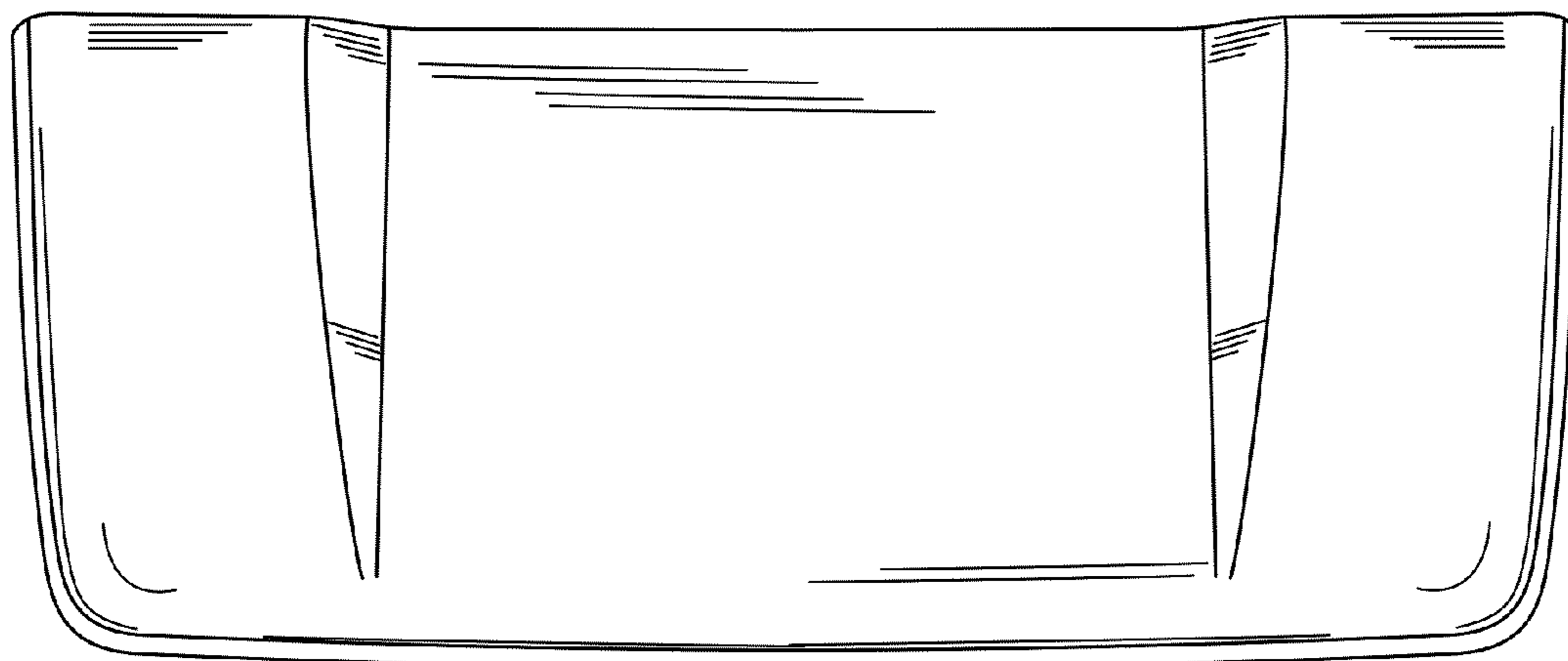


FIG. 2

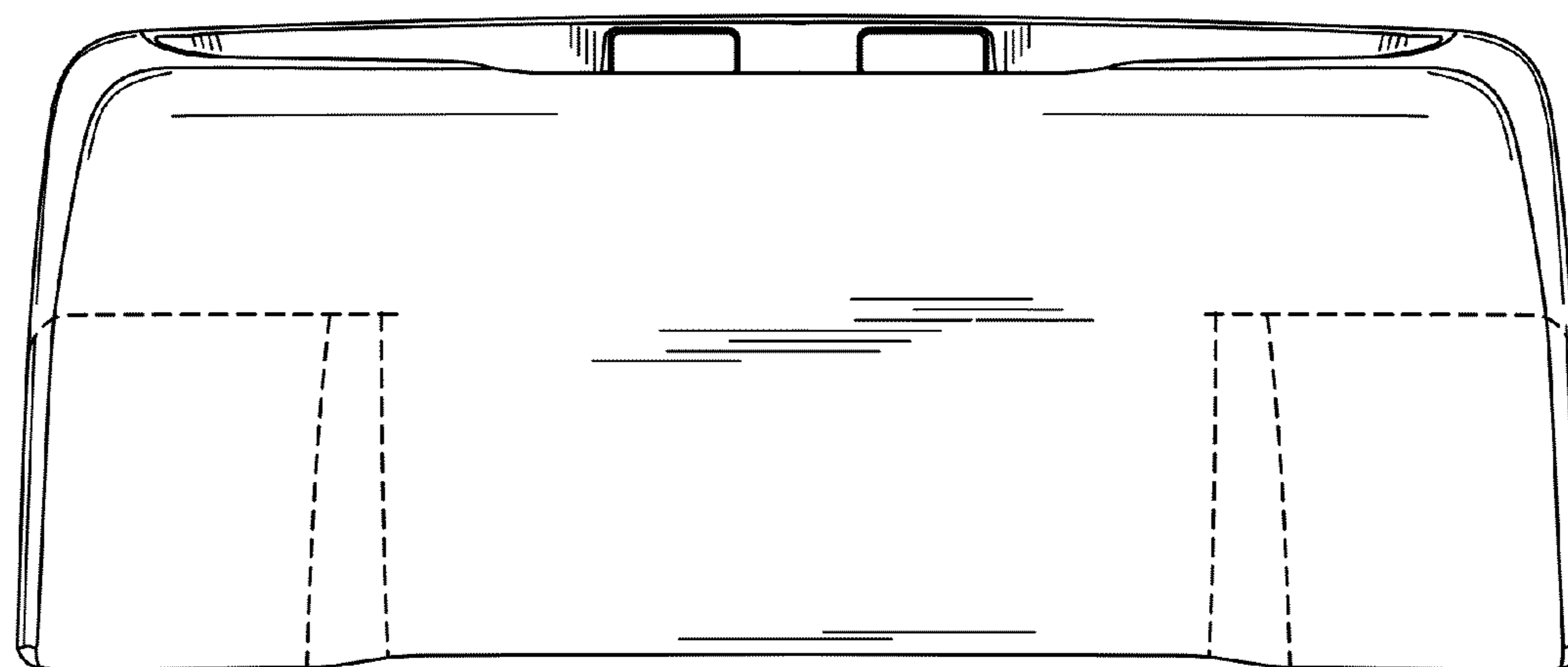


FIG. 3

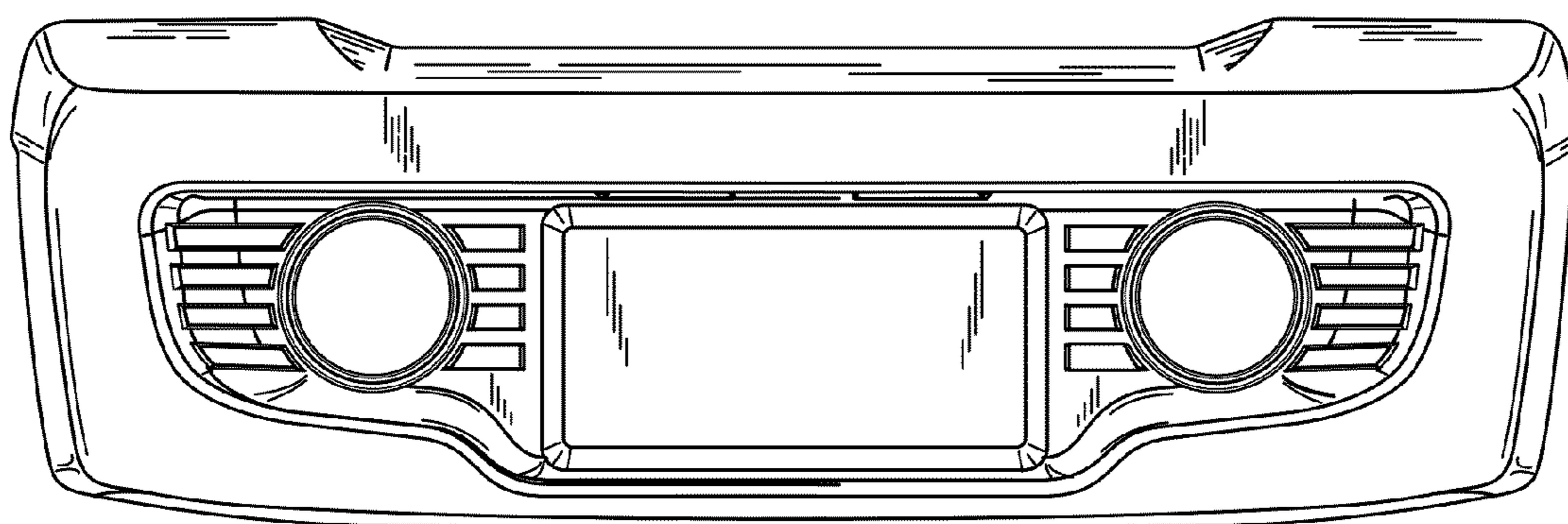


FIG. 4

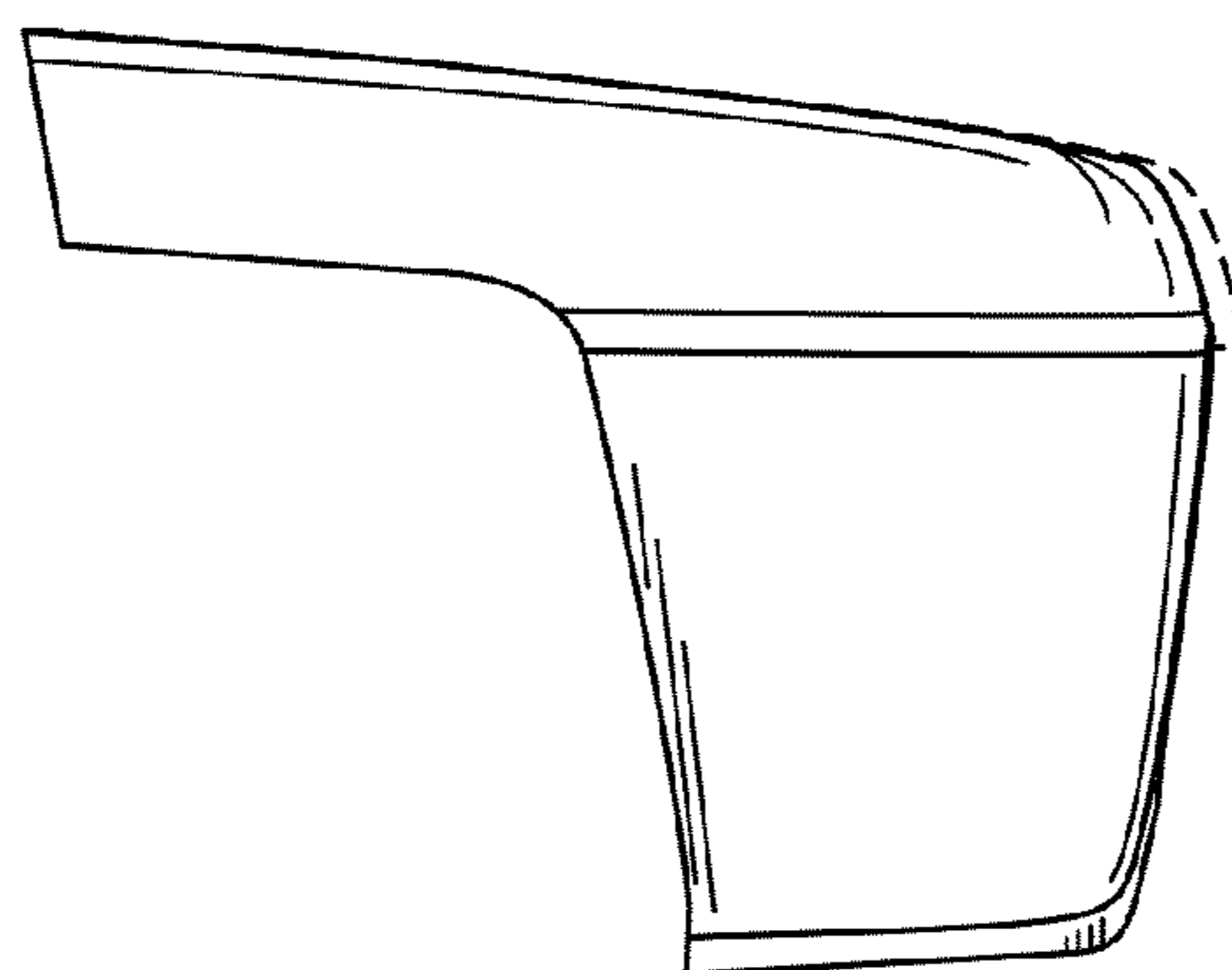


FIG. 5