



US00D714199S

(12) **United States Design Patent**
Ito et al.

(10) **Patent No.:** **US D714,199 S**

(45) **Date of Patent:** **** Sep. 30, 2014**

(54) **SIDE SKIRT OF A TRUCK VEHICLE**

(56) **References Cited**

(71) Applicant: **International Truck Intellectual Property Company, LLC**, Lisle, IL (US)

U.S. PATENT DOCUMENTS

(72) Inventors: **Chris Isamu Ito**, Sugar Grove, IL (US); **Glen Joel Durmisevich**, Rochester Hills, MI (US); **John Song**, Palatine, IL (US); **Rudolf David Gonzalez**, Wheaton, IL (US); **Patrick James Quinn**, Naperville, IL (US); **James Leroy Smith, Jr.**, Naperville, IL (US); **Benjamin Anthony Kuzmicz**, Naperville, IL (US)

D313,954	S	*	1/1991	Fingerle	D12/96
5,879,045	A	*	3/1999	Logan	296/136.07
D432,476	S	*	10/2000	Damon et al.	D12/196
D433,365	S	*	11/2000	Beigel	D12/196
D499,679	S	*	12/2004	Perfetti et al.	D12/196
D522,944	S	*	6/2006	Beigel et al.	D12/196
D522,945	S	*	6/2006	Beigel et al.	D12/196
7,163,258	B2	*	1/2007	Dyer et al.	296/191
D579,843	S	*	11/2008	Beigel et al.	D12/196
7,578,546	B2	*	8/2009	Grady et al.	296/191
7,748,764	B2	*	7/2010	Frankham	296/37.6
D634,244	S	*	3/2011	Aris et al.	D12/96
D652,774	S	*	1/2012	Aris et al.	D12/196
2005/0088013	A1	*	4/2005	Dyer et al.	296/191
2008/0231079	A1	*	9/2008	Grady et al.	296/191
2009/0058121	A1	*	3/2009	Frankham	296/37.6
2010/0060035	A1	*	3/2010	Grady	296/191

(73) Assignee: **International Truck Intellectual Property Company, LLC**, Lisle, IL (US)

* cited by examiner

(**) Term: **14 Years**

Primary Examiner — Eric Goodman

Assistant Examiner — Ryan Harvey

(21) Appl. No.: **29/450,580**

(74) *Attorney, Agent, or Firm* — Jeffrey P. Calfa; Mark C. Bach; Gerald W. Askew

(22) Filed: **Mar. 19, 2013**

(57) **CLAIM**

(51) **LOC (10) Cl.** **12-16**

The ornamental design for a side skirt of a truck vehicle, as shown and described.

(52) **U.S. Cl.**

DESCRIPTION

USPC **D12/196**

(58) **Field of Classification Search**

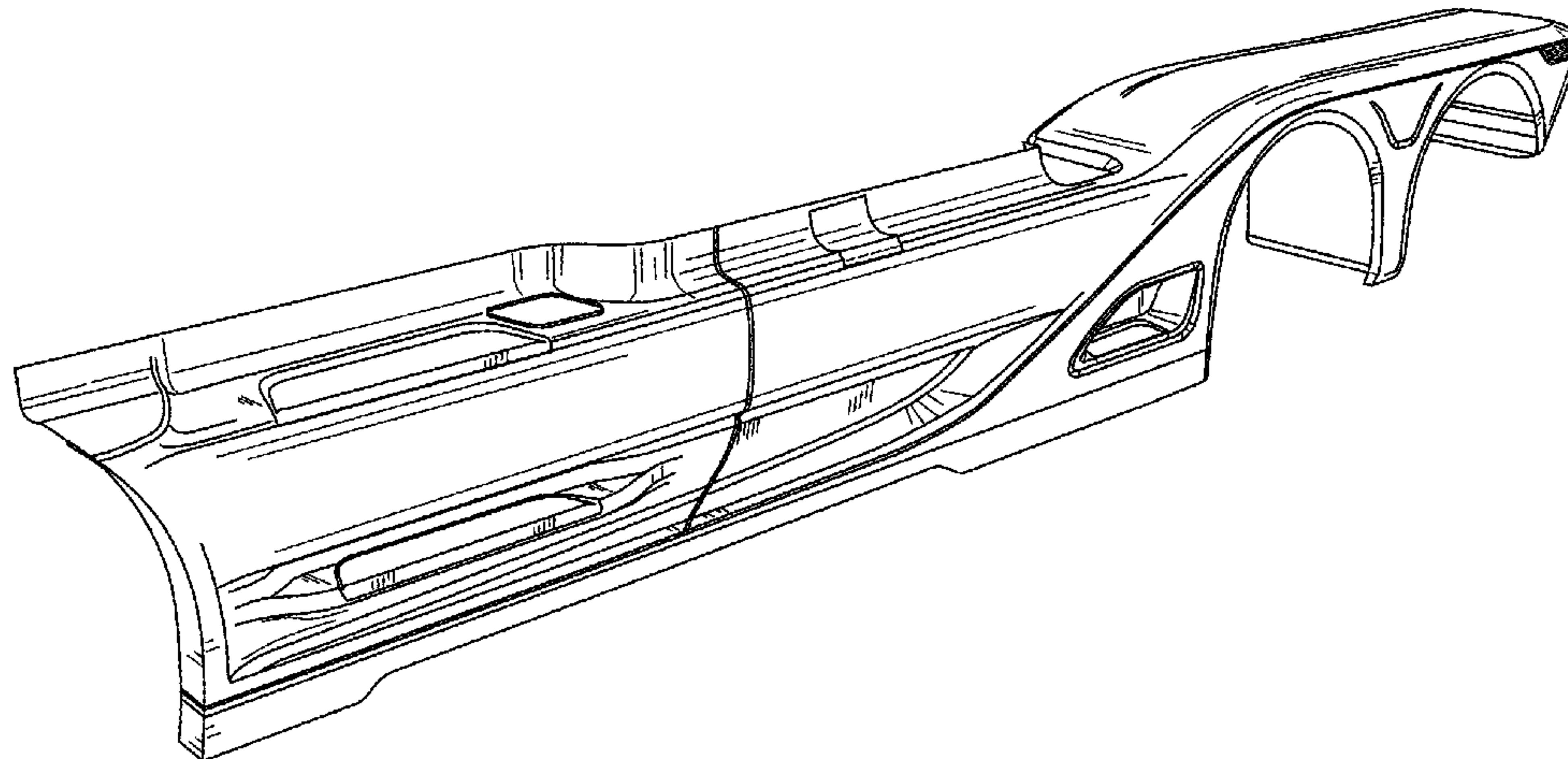
CPC B62D 35/001; B62D 35/00; B62D 35/02; B62D 35/007; B62D 25/168; B62D 25/02; B62D 31/025; B62D 37/02

FIG. 1 is a FRONT AND RIGHT SIDE PERSPECTIVE view of a side skirt of a truck vehicle showing our new design; FIG. 2 is a BOTTOM PLAN view thereof; FIG. 3 is a TOP PLAN view thereof; FIG. 4 is a FRONT ELEVATION view thereof; FIG. 5 is a RIGHT SIDE ELEVATION view thereof; and, FIG. 6 is a LEFT SIDE ELEVATION view thereof.

USPC D12/196, 184, 190, 96; 293/1, 126, 293/128; 296/198, 191, 209, 37.6, 182.1, 296/193.05, 180.1, 180.2, 151; 280/770, 280/768, 769, 849, 163

See application file for complete search history.

1 Claim, 3 Drawing Sheets



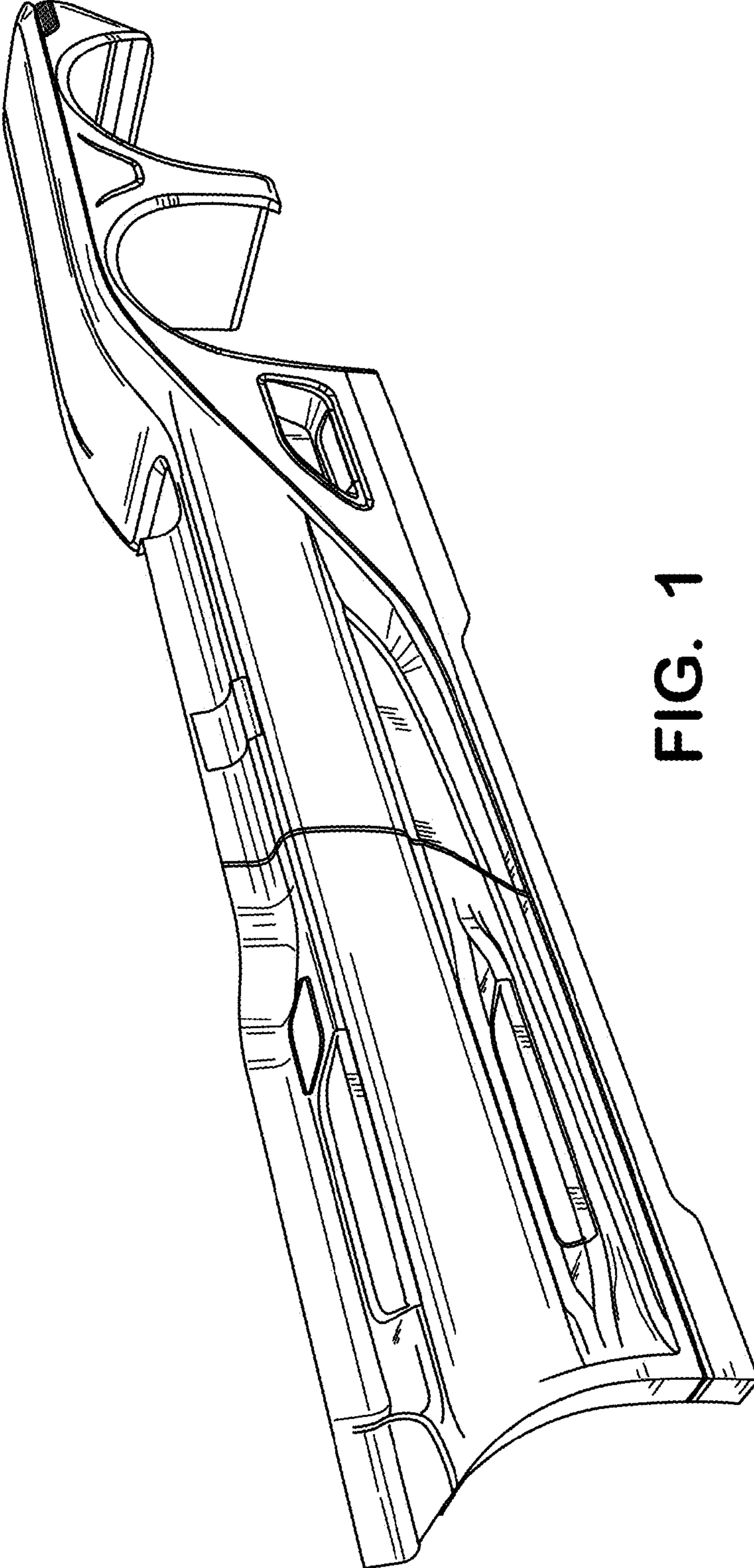


FIG. 1

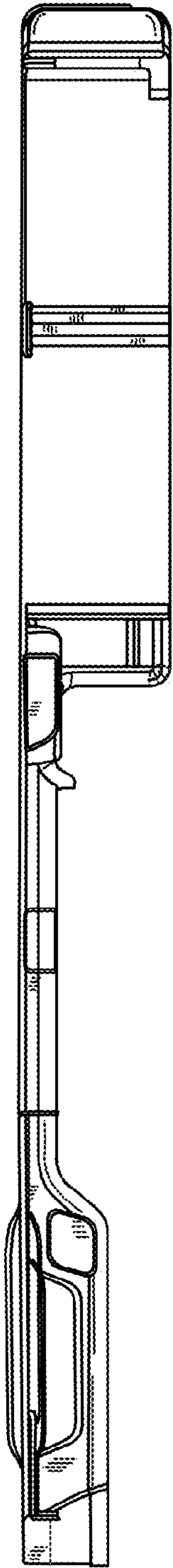


FIG. 2

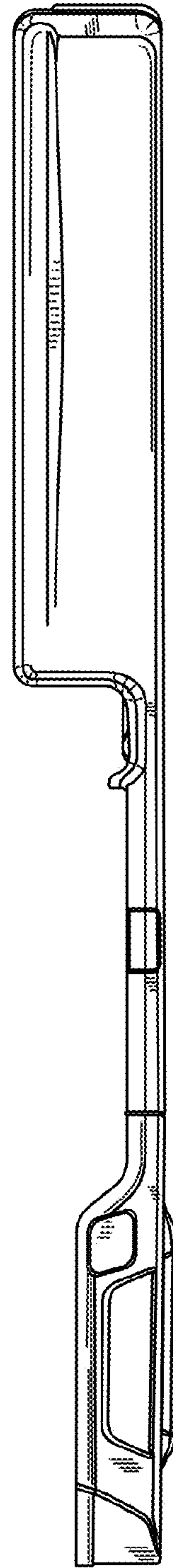


FIG. 3

FIG. 4

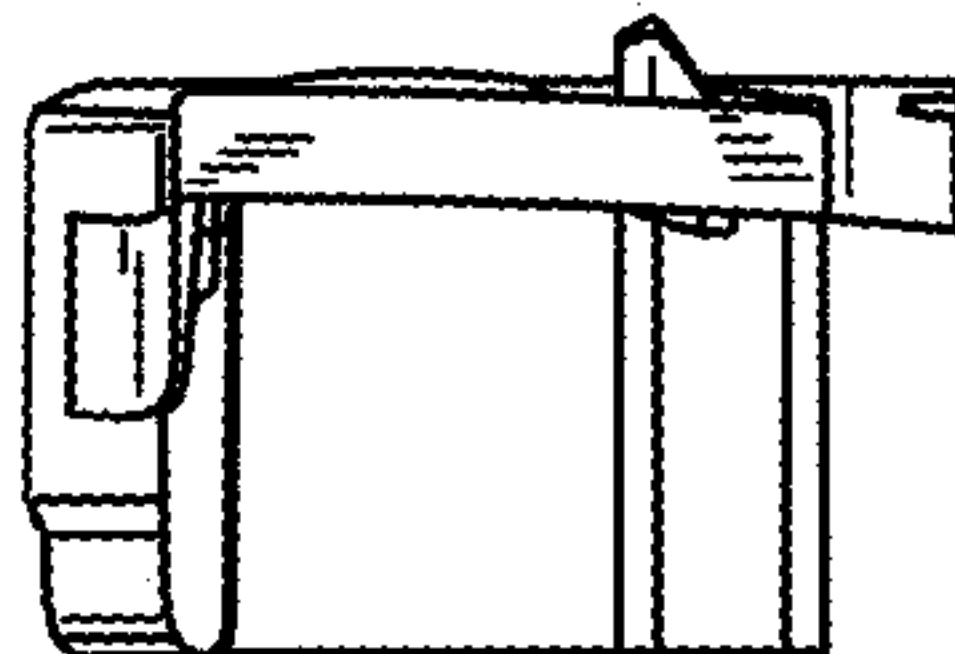
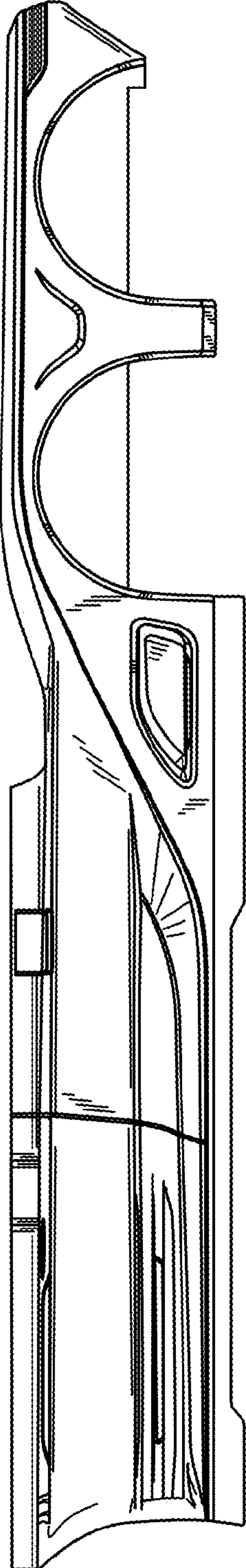


FIG. 5

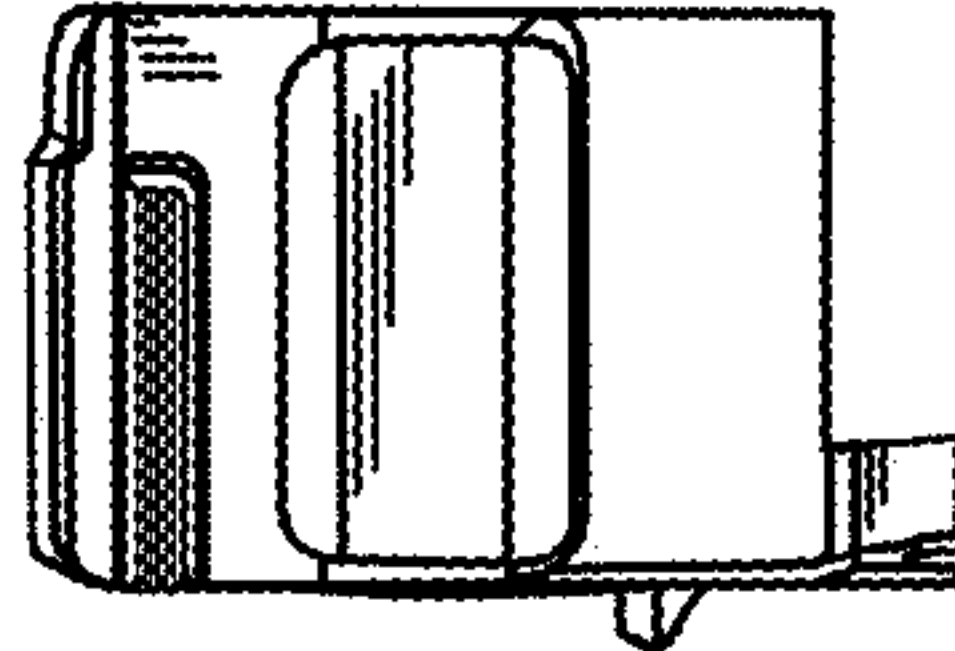


FIG. 6