



US00D714198S

(12) **United States Design Patent**
Hsu et al.

(10) **Patent No.:** **US D714,198 S**

(45) **Date of Patent:** **** Sep. 30, 2014**

(54) **EXHAUST HEAD ADAPTOR**

(71) Applicants: **David Hsu**, Norco, CA (US); **Clinton Yee**, Corona, CA (US); **Ming Wong**, San Diego, CA (US)

(72) Inventors: **David Hsu**, Norco, CA (US); **Clinton Yee**, Corona, CA (US); **Ming Wong**, San Diego, CA (US)

(73) Assignee: **Group-A Autosports, Inc.**, Norco, CA (US)

(**) Term: **14 Years**

(21) Appl. No.: **29/457,175**

(22) Filed: **Jun. 7, 2013**

(51) **LOC (10) Cl.** **12-16**

(52) **U.S. Cl.**
USPC **D12/194**

(58) **Field of Classification Search**
USPC D12/194; 285/179, 405-406;
D23/262-263

See application file for complete search history.

(56) **References Cited**

U.S. PATENT DOCUMENTS

2,056,562	A *	10/1936	Bridge	285/18
2,503,934	A *	4/1950	Church	285/49
2,990,198	A *	6/1961	Imming	285/9.1
3,716,992	A *	2/1973	Stahl	60/323
6,557,261	B1 *	5/2003	Buser et al.	30/124
6,802,294	B2 *	10/2004	Osman	123/196 R
6,920,891	B2 *	7/2005	Lin et al.	137/15.04
7,556,009	B2 *	7/2009	Niakan et al.	123/184.21

* cited by examiner

Primary Examiner — Michael A Pratt

(74) *Attorney, Agent, or Firm* — Steven N. Fox, Esq.

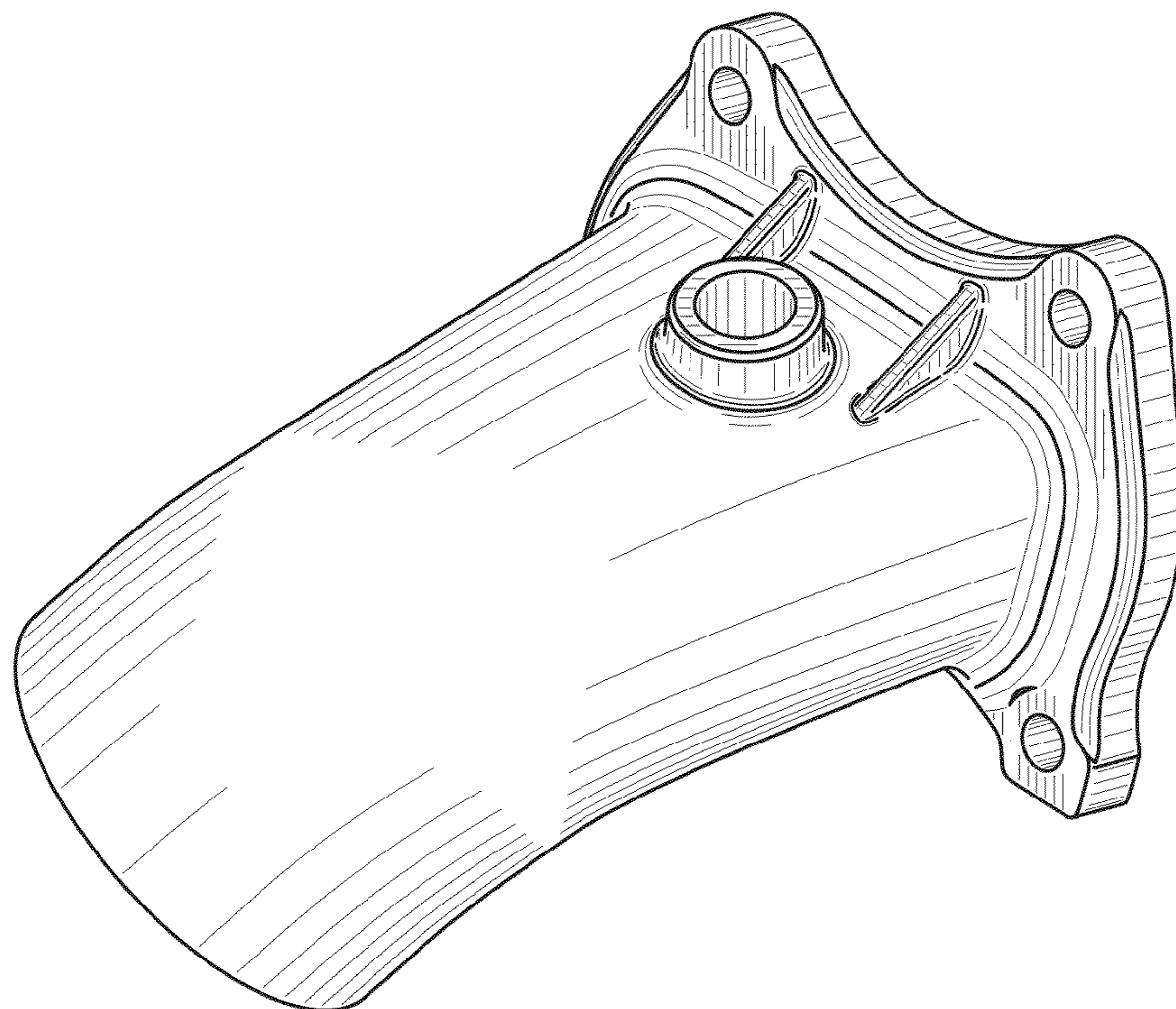
(57) **CLAIM**

The ornamental design for an exhaust head adaptor, as shown and described.

DESCRIPTION

FIG. 1 is a front perspective view of an exhaust head adaptor according to the present invention;
FIG. 2 is a front view thereof;
FIG. 3 is a right side view thereof;
FIG. 4 is a rear view thereof;
FIG. 5 is a left side view thereof;
FIG. 6 is a top view thereof; and,
FIG. 7 is a bottom view thereof.

1 Claim, 4 Drawing Sheets



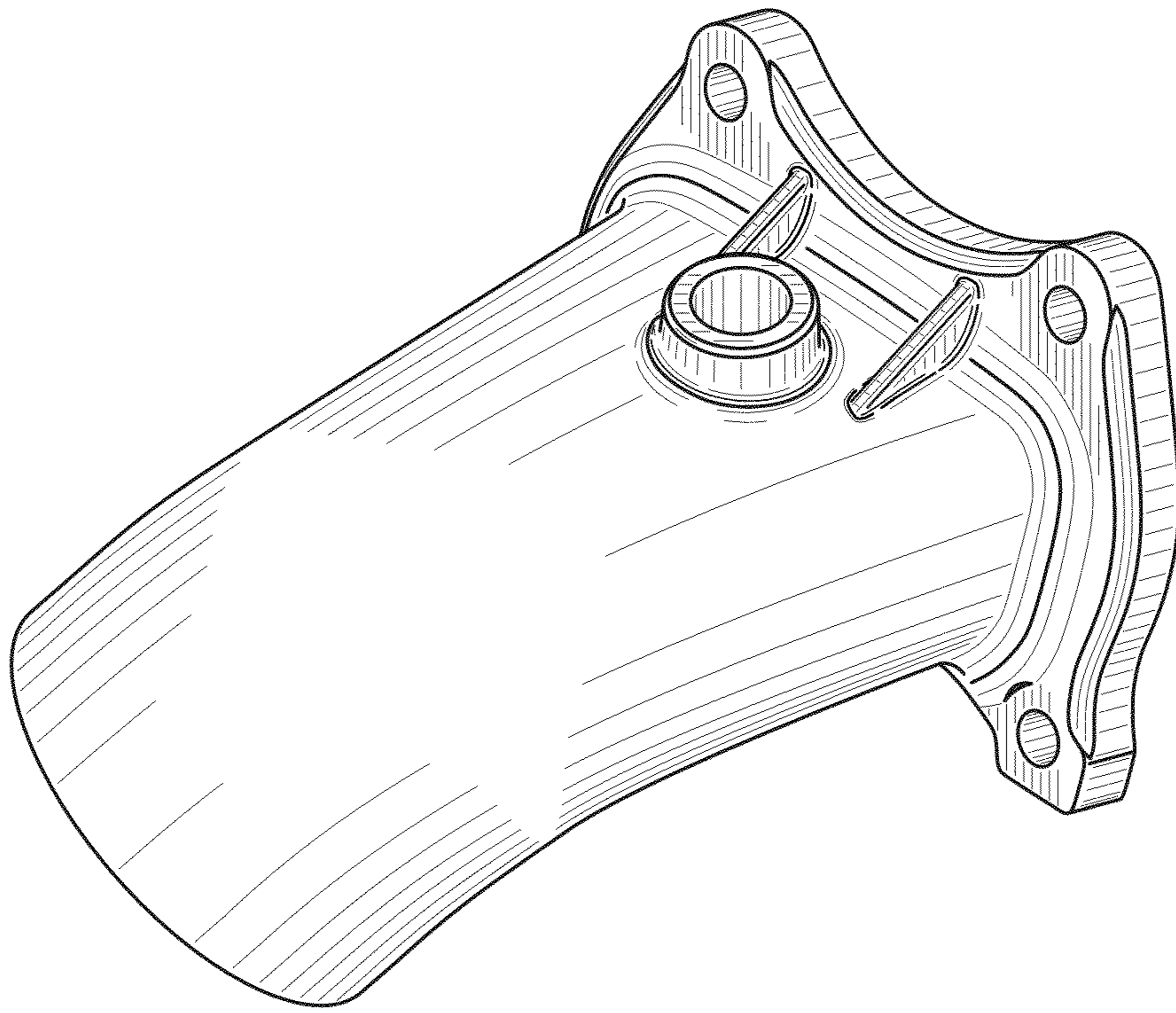


FIG. 1

FIG. 3

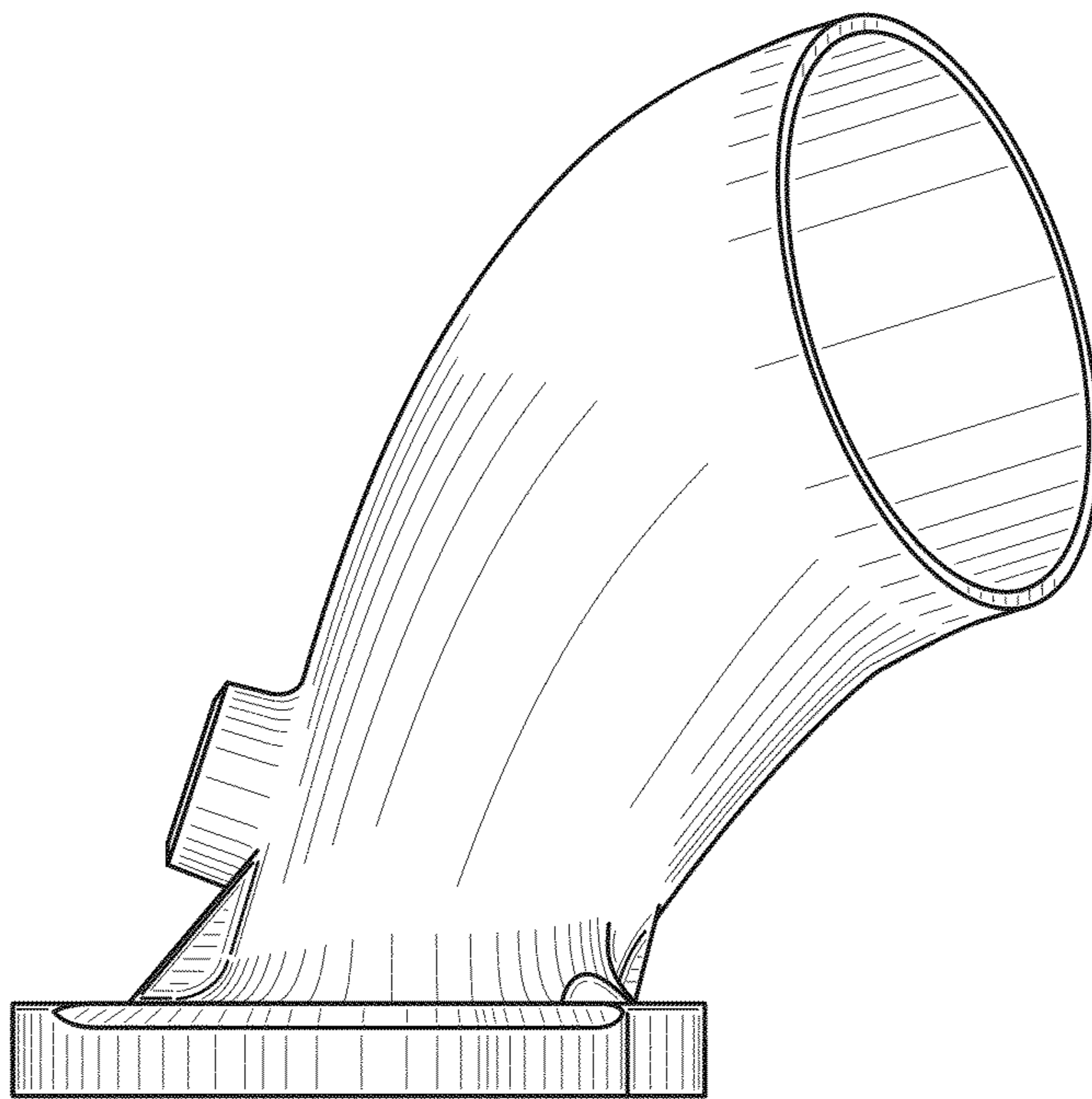


FIG. 2

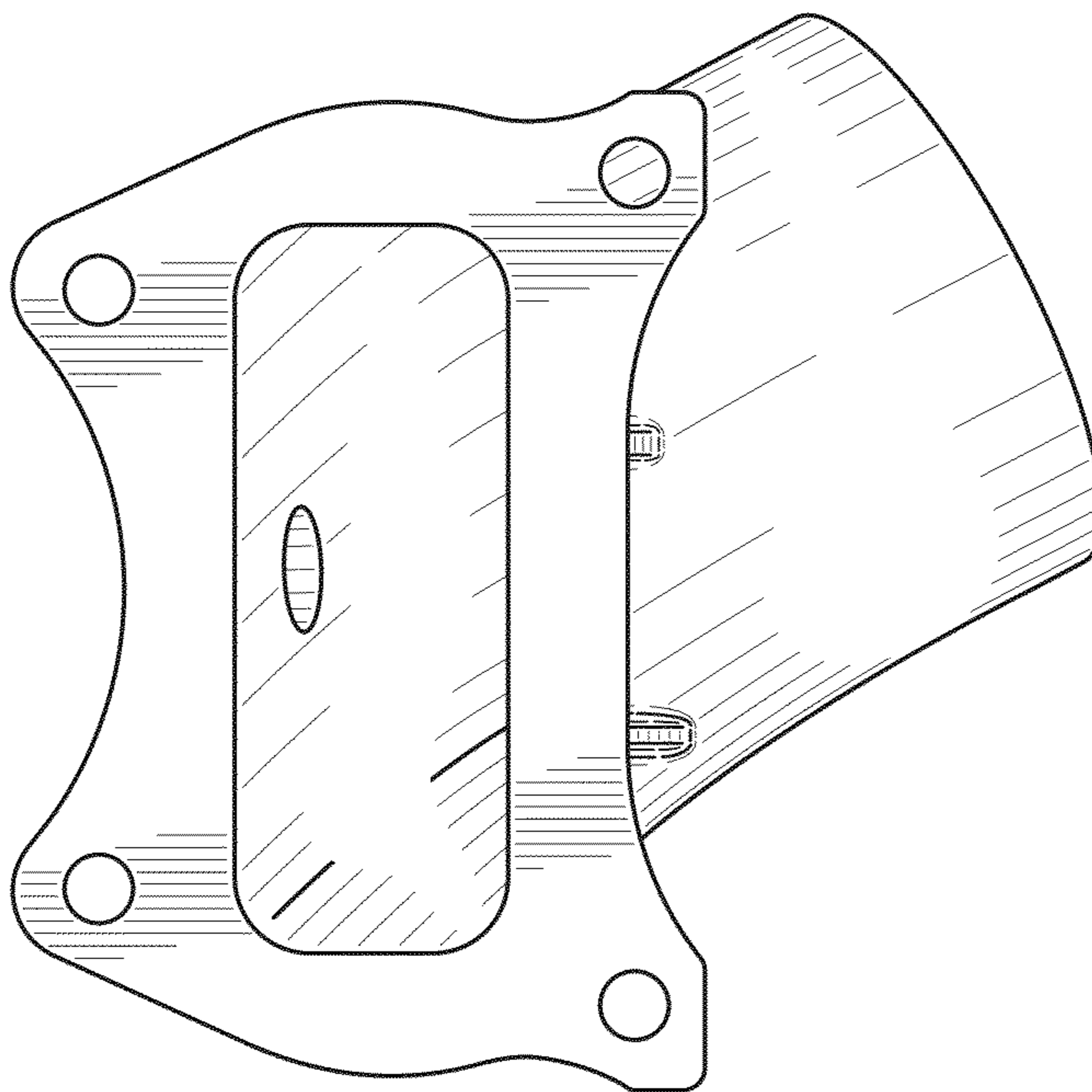
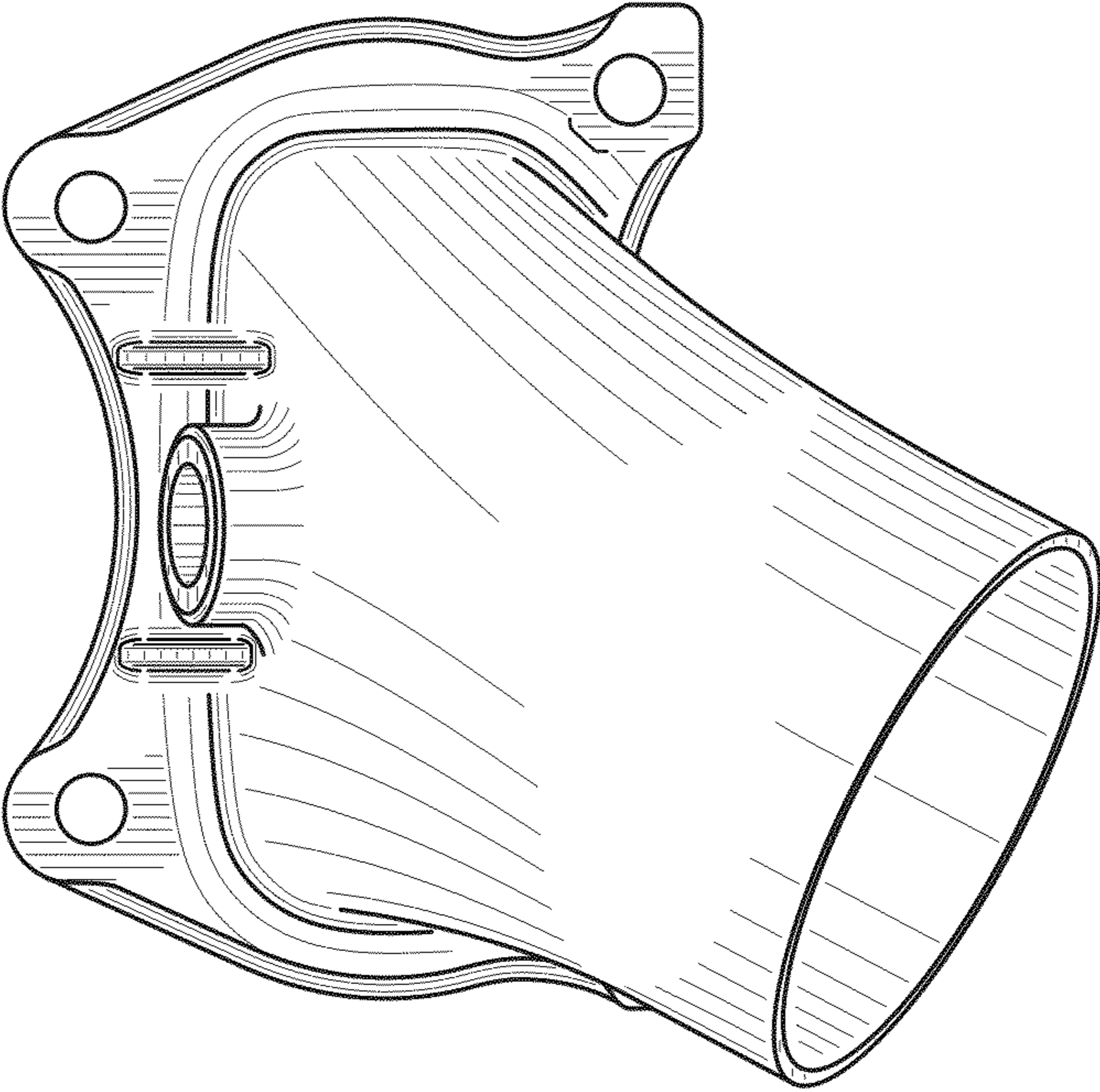


FIG. 5



FIG. 4



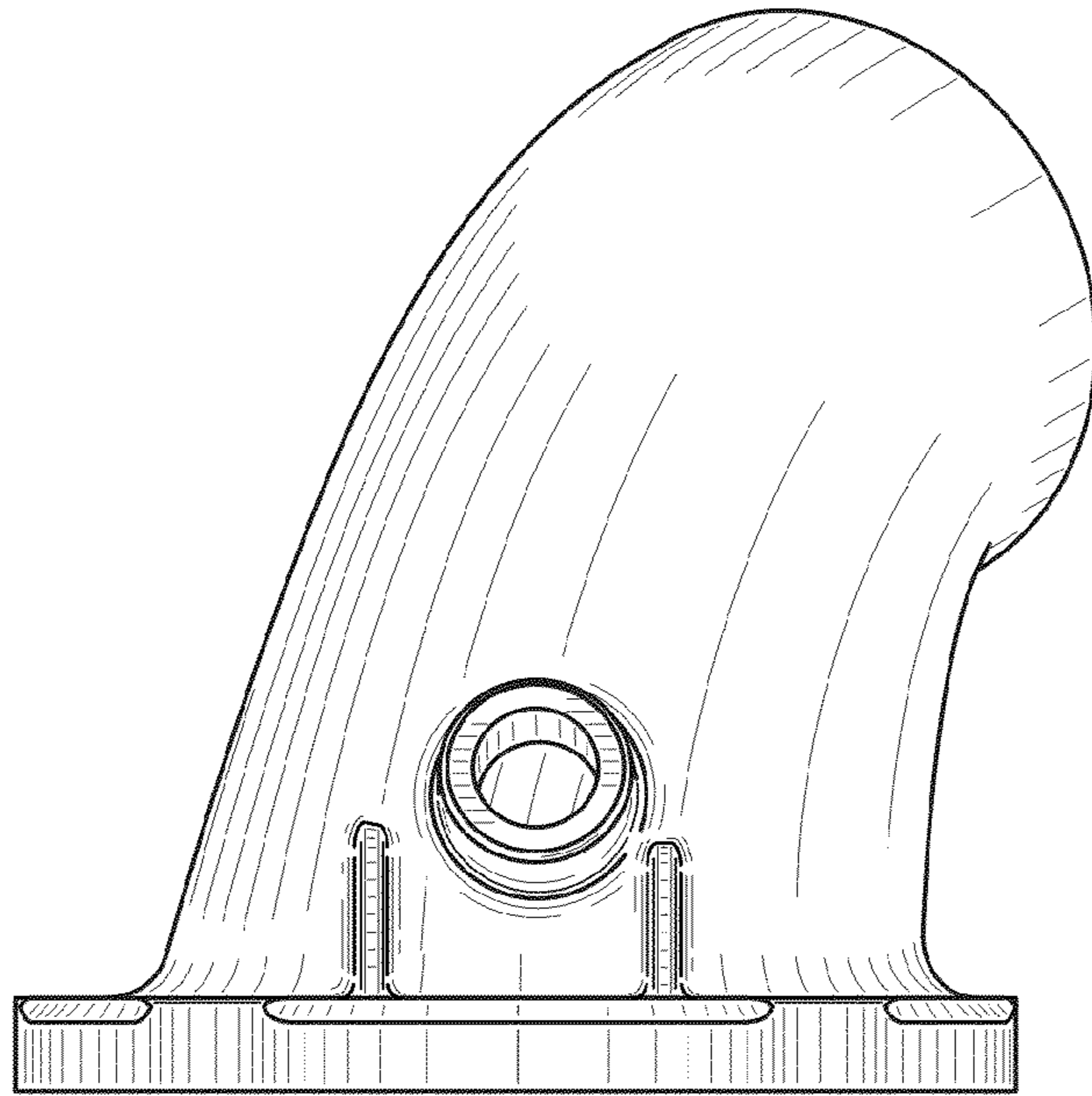


FIG. 6

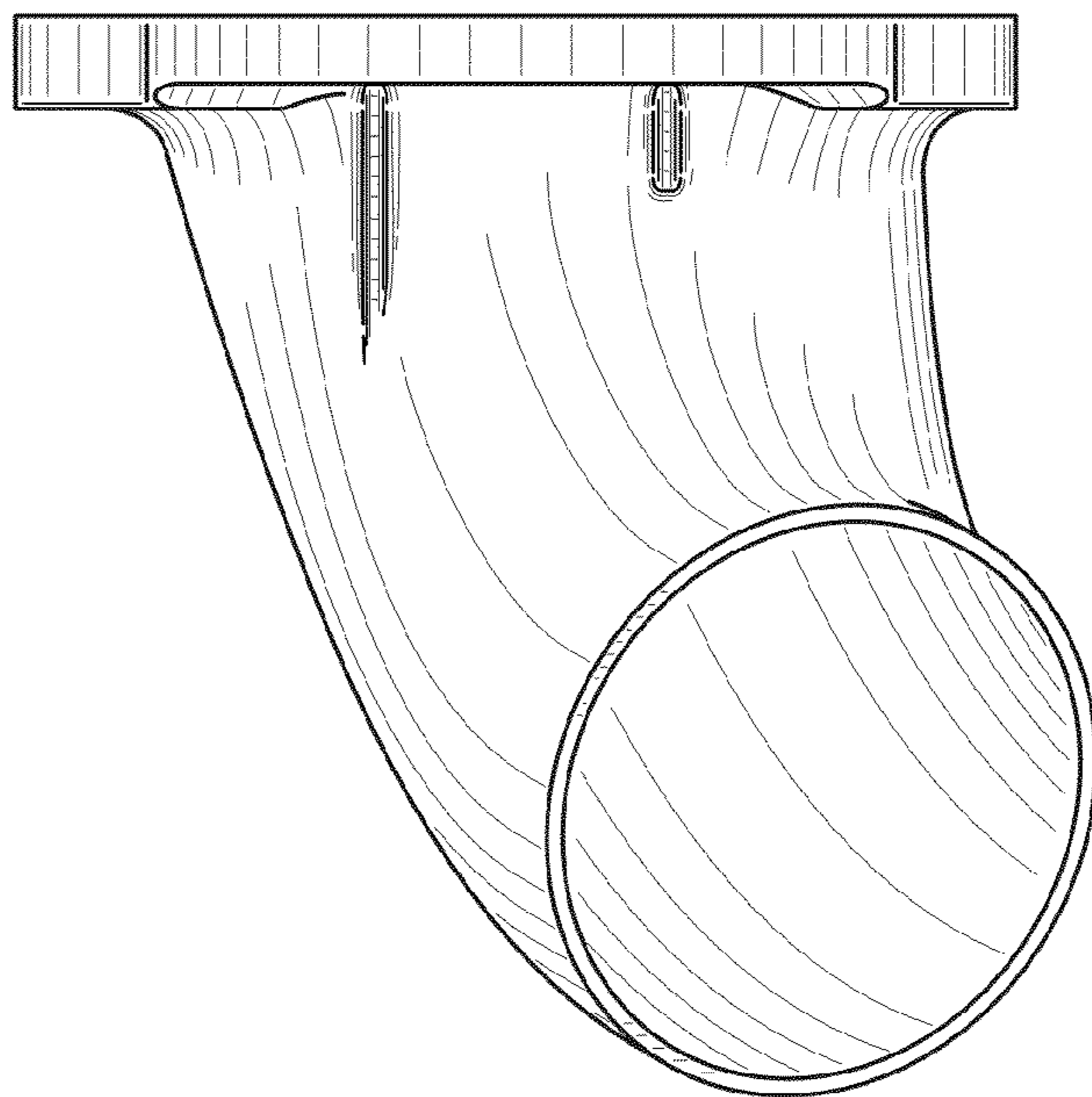


FIG. 7