



US00D714197S

(12) **United States Design Patent**
Matsumoto et al.

(10) **Patent No.:** **US D714,197 S**

(45) **Date of Patent:** **** *Sep. 30, 2014**

(54) **AUTOMOBILE AND/OR TOY REPLICA THEREOF**

D20/23, 24, 25, 30, 31, 32; 293/102, 115;
40/413, 591, 592; 428/31

See application file for complete search history.

(71) Applicant: **Toyota Jidosha Kabushiki Kaisha,**
Toyota (JP)

(56) **References Cited**

(72) Inventors: **Kengo Matsumoto,** Nagoya (JP);
Shinichi Hiranaka, Miyoshi (JP); **Shin Miyata,** Nissin-sh (JP); **Satoru Sugimoto,** Toyota (JP)

U.S. PATENT DOCUMENTS

D501,435 S 2/2005 Hosoda et al.
D536,284 S 2/2007 Nakamura et al.
D538,716 S 3/2007 Hogios

(Continued)

(73) Assignee: **Toyota Jidosha Kabushiki Kaisha** (JP)

OTHER PUBLICATIONS

(*) Notice: This patent is subject to a terminal disclaimer.

2009 Audi A6, www.netcarshow.com, posted by NetCarShow at least as early as 2009.

(**) Term: **14 Years**

(Continued)

(21) Appl. No.: **29/465,920**

Primary Examiner — Katrina A Betton

(22) Filed: **Sep. 3, 2013**

(74) *Attorney, Agent, or Firm* — SAIDMAN DesignLaw Group

Related U.S. Application Data

(62) Division of application No. 29/431,238, filed on Sep. 5, 2012, now Pat. No. Des. 701,475, which is a division of application No. 29/388,890, filed on Apr. 4, 2011, now Pat. No. Des. 669,406.

(57) **CLAIM**

The ornamental design for an automobile and/or toy replica thereof, as shown and described.

DESCRIPTION

(30) **Foreign Application Priority Data**

Jan. 7, 2011 (JP) 2011-000242
Jan. 7, 2011 (JP) 2011-000243
Jan. 7, 2011 (JP) 2011-000244
Jan. 7, 2011 (JP) 2011-000245
Jan. 7, 2011 (JP) 2011-000246

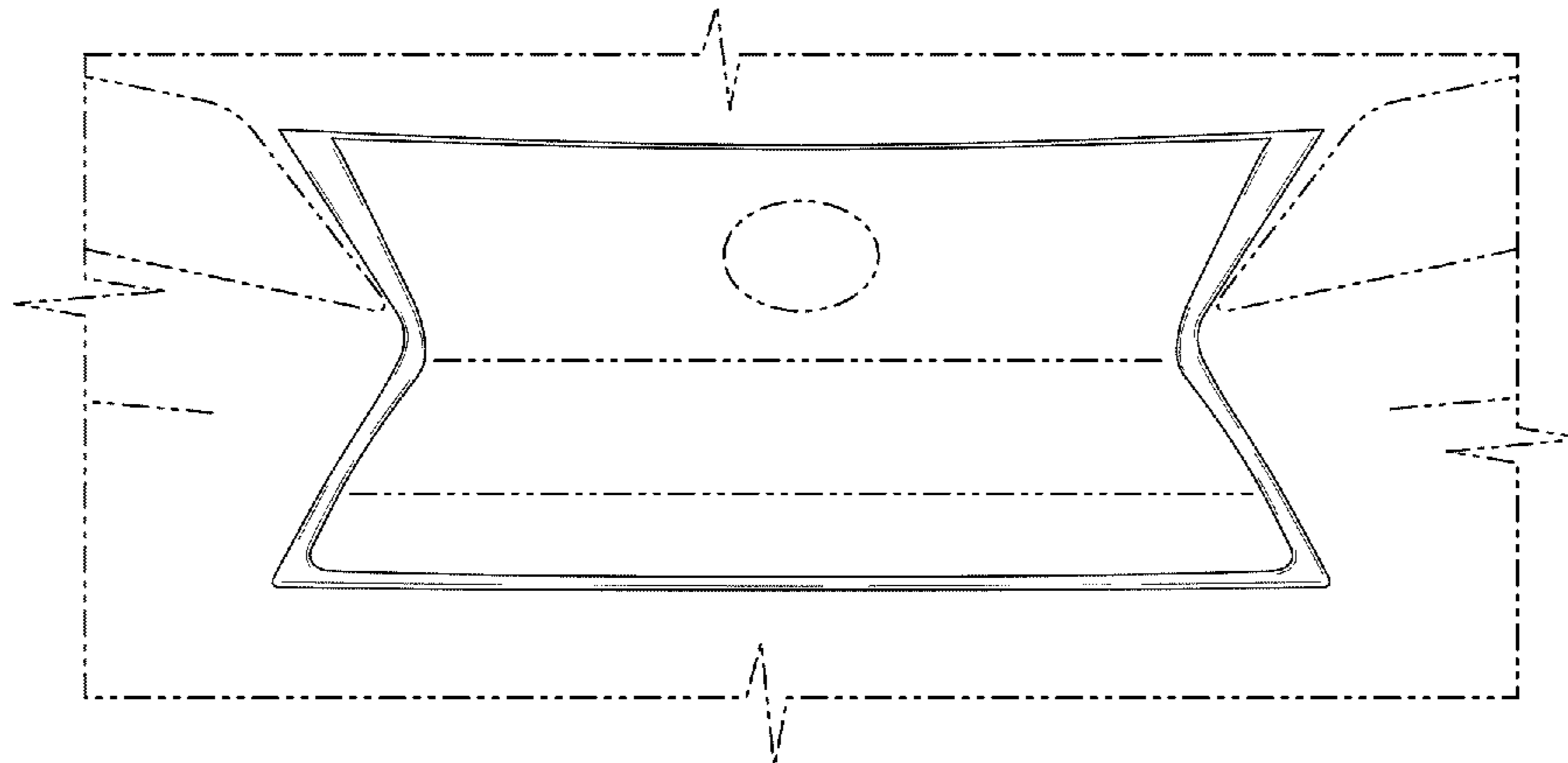
FIG. 1 is a perspective view of an automobile and/or toy replica thereof showing our new design;
FIG. 2 is a left side view thereof, the right side view being a mirror image;
FIG. 3 is a top view thereof;
FIG. 4 is a front view thereof;
FIG. 5 is an enlarged view showing a portion of FIG. 1 defined by line 5-5; and,
FIG. 6 is an enlarged view showing a portion of FIG. 4 defined by line 6-6.
The broken lines illustrate environmental structure and form no part of the claimed design.

(51) **LOC (10) Cl.** **12-16**

(52) **U.S. Cl.**
USPC **D12/190**

(58) **Field of Classification Search**
USPC D12/190, 192, 400, 90, 91, 92, 199,
D12/197, 86, 171, 169, 163, 110, 114;
D11/211, 81, 157, 133, 172; D20/11,

1 Claim, 5 Drawing Sheets



(56)

References Cited

U.S. PATENT DOCUMENTS

D539,196 S 3/2007 Pfeiffer
D539,707 S 4/2007 Golden et al.
D578,444 S 10/2008 Kuo
D587,636 S 3/2009 Kanno et al.
D592,560 S 5/2009 Bauer et al.
D596,088 S 7/2009 Camacho et al.
D605,989 S 12/2009 Leng et al.
D619,514 S 7/2010 Syouji et al.
D620,850 S 8/2010 Sakae et al.
D637,533 S 5/2011 Miyazawa et al.
D640,614 S 6/2011 Kumai et al.

D640,958 S 7/2011 Yokoi et al.
D679,632 S * 4/2013 Iida et al. D12/163
D702,602 S * 4/2014 Matsumoto et al. D12/169
D703,108 S * 4/2014 Futschik et al. D12/163
D703,109 S * 4/2014 Futschik et al. D12/163
D705,705 S * 5/2014 Matsumoto et al. D12/169
2006/0119115 A1 6/2006 Filip et al.

OTHER PUBLICATIONS

2011 Lexus CT200h, www.netcarshow.com, publicly known at least as early as Mar. 2010.

* cited by examiner

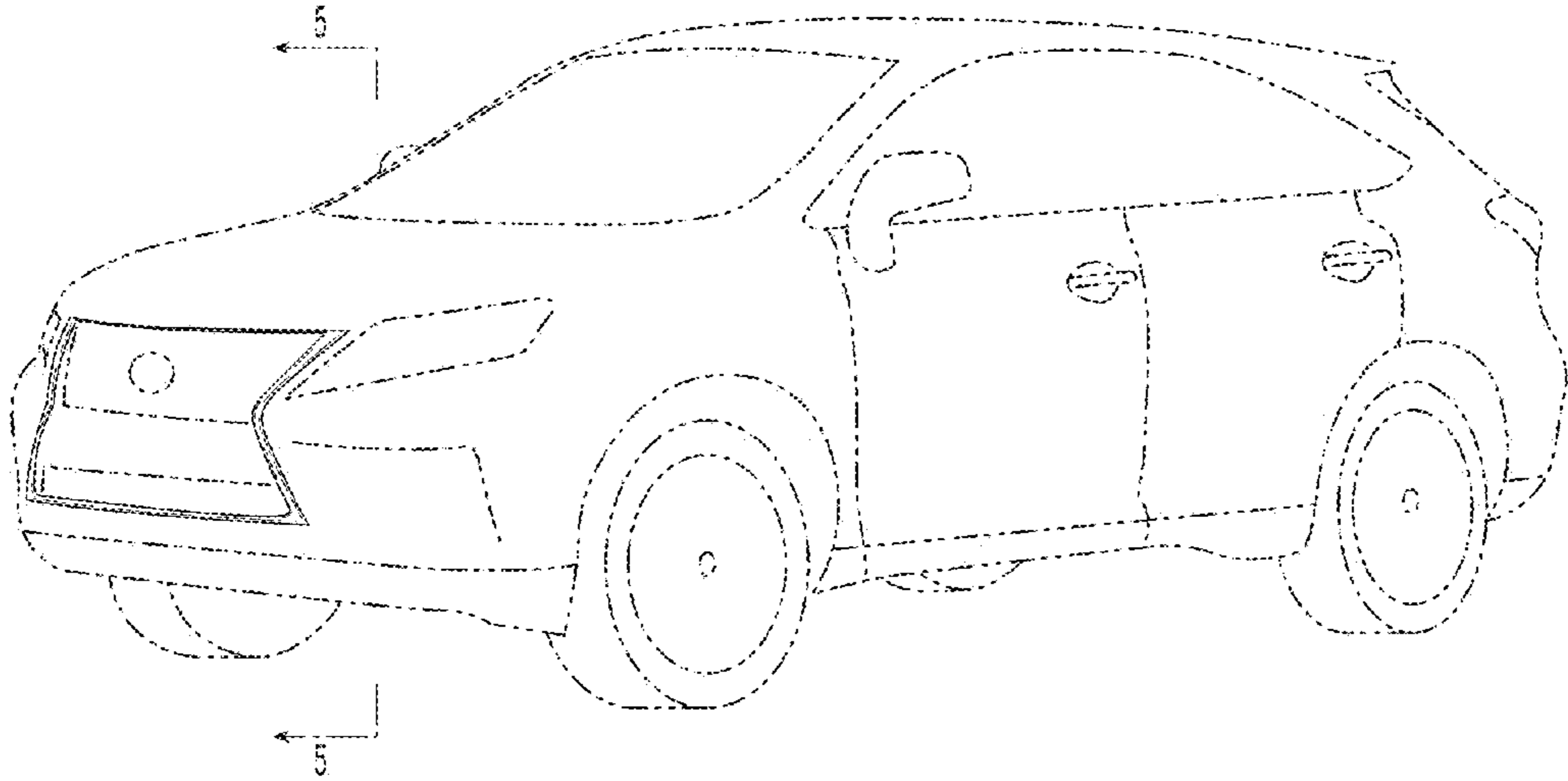


Fig. 1

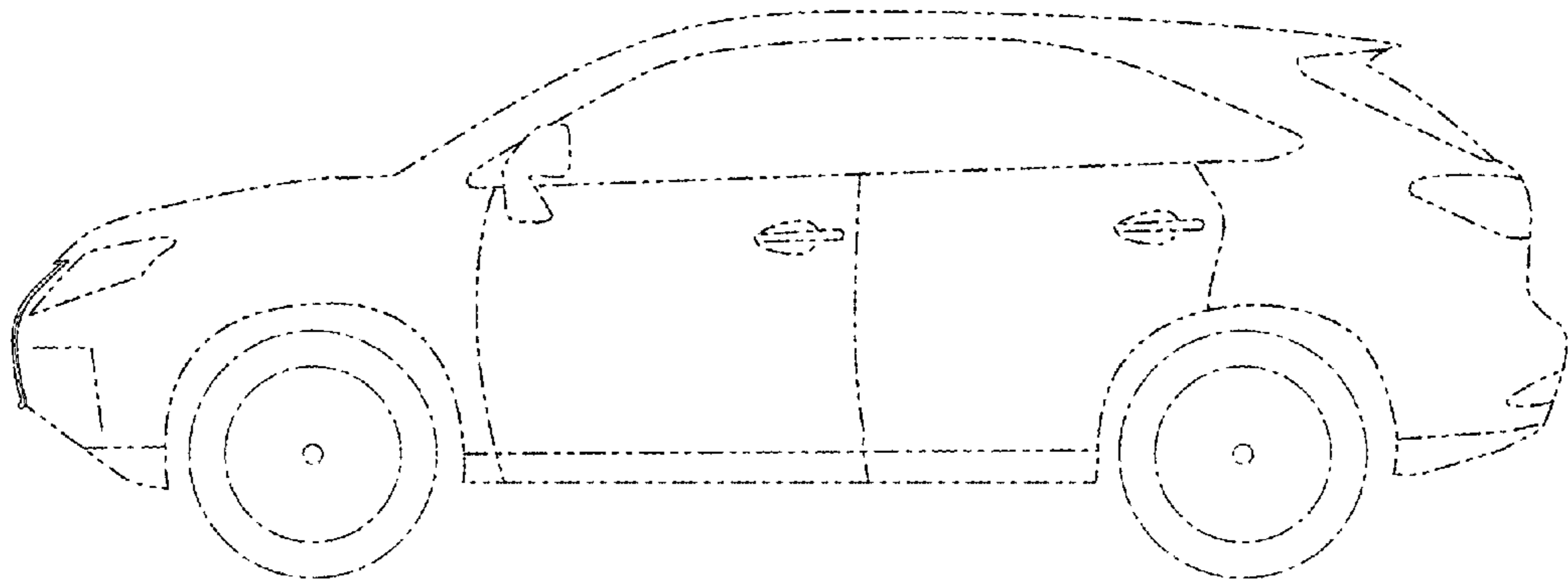


Fig. 2

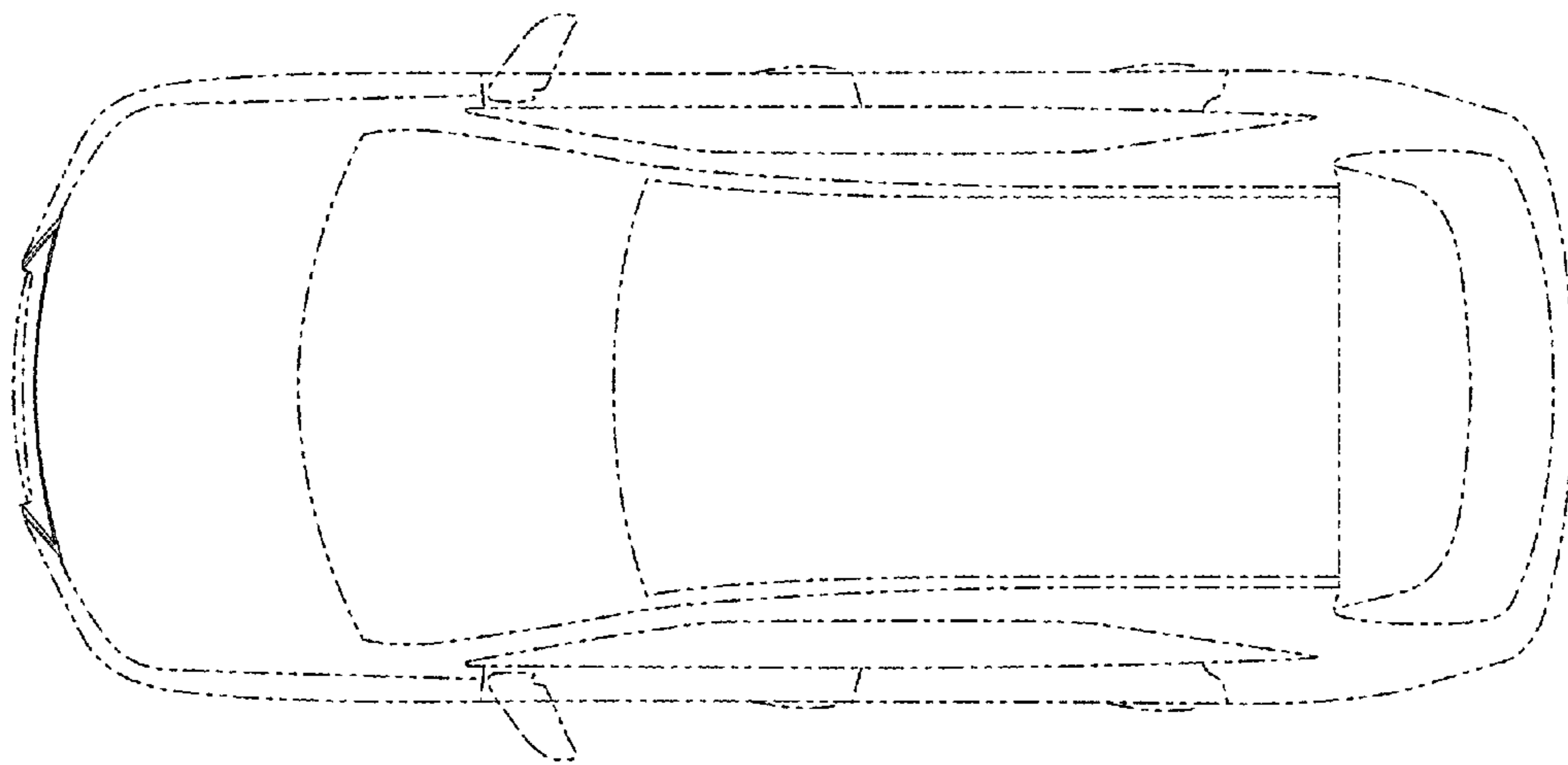


Fig. 3

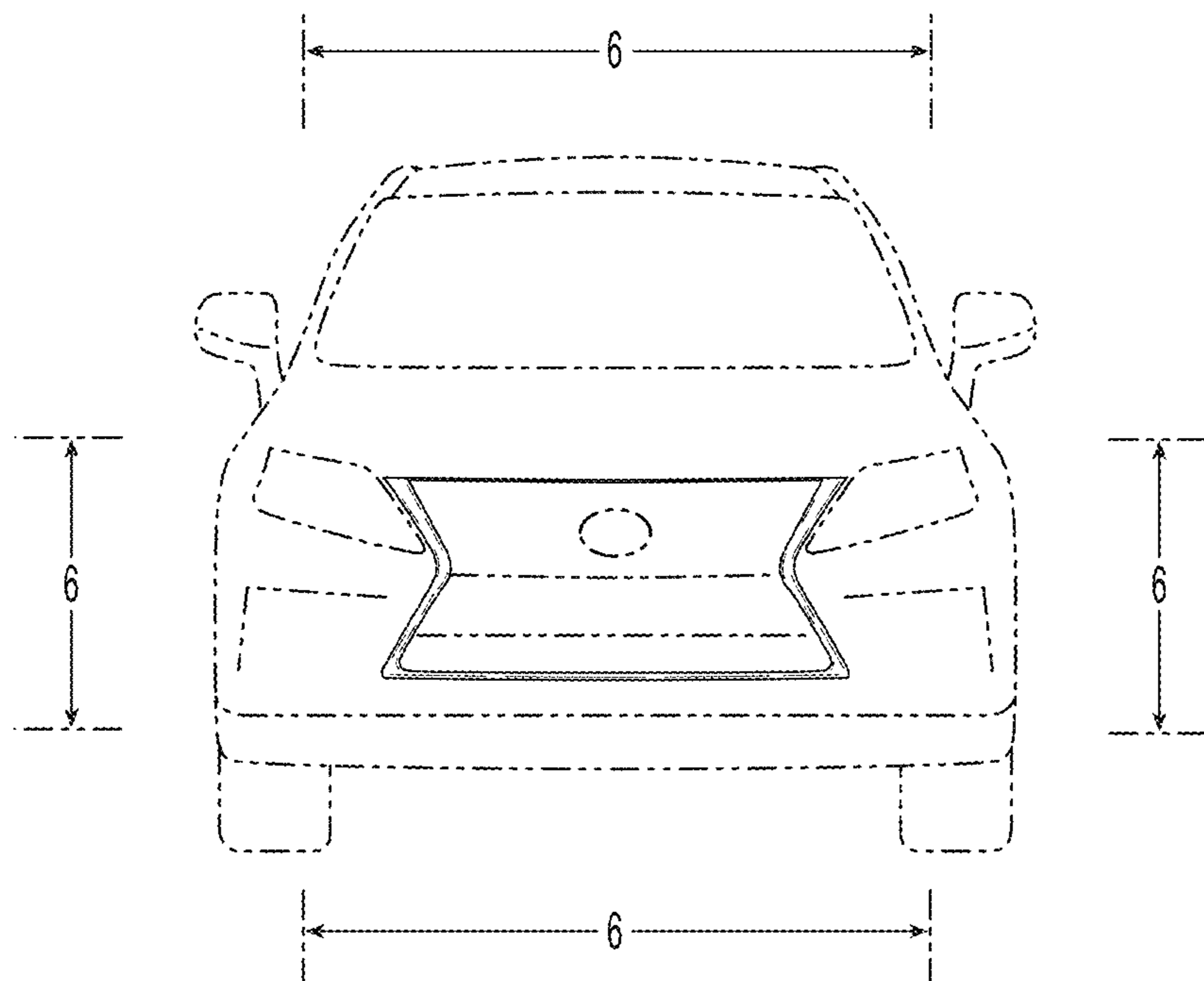


Fig. 4

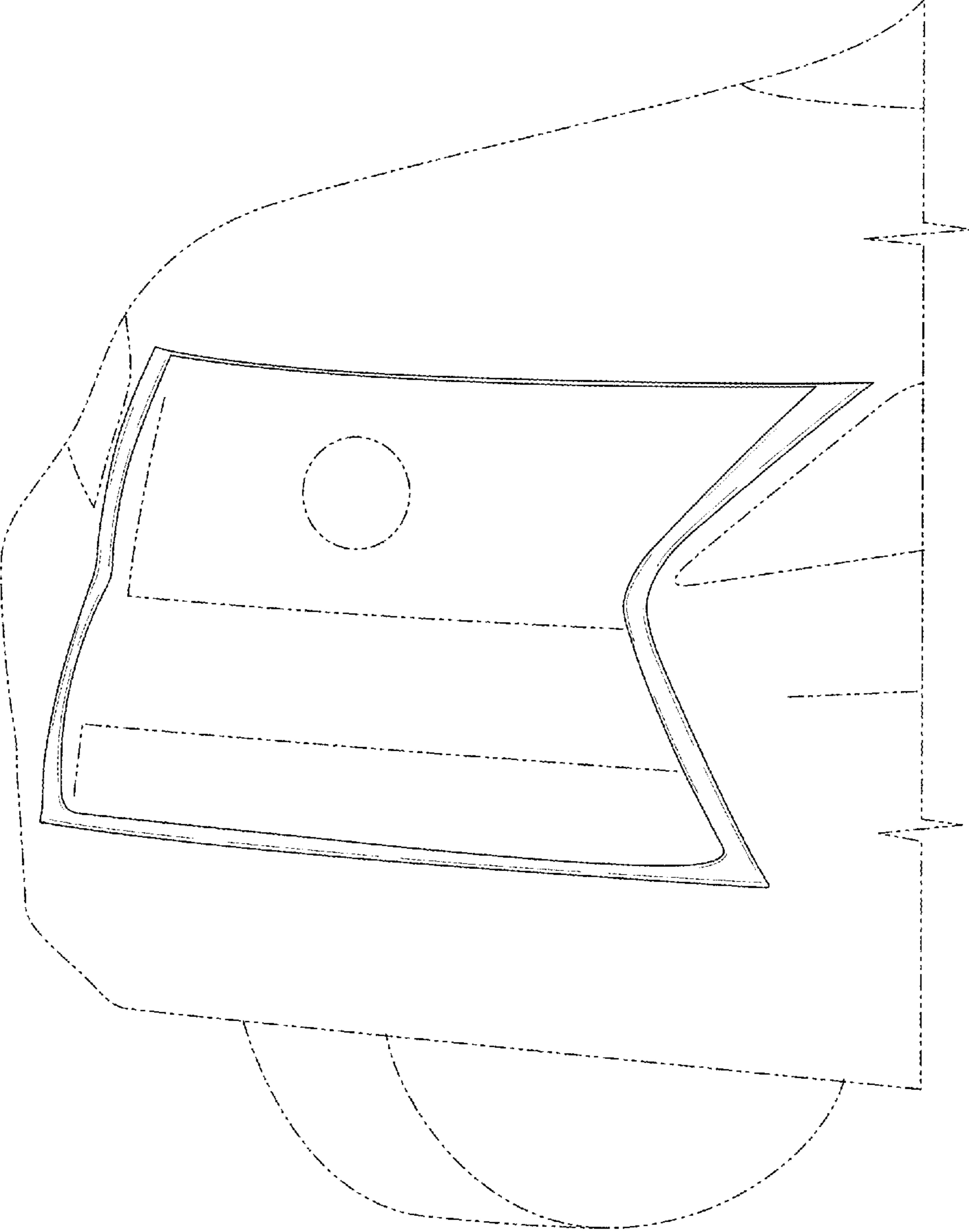


Fig. 5

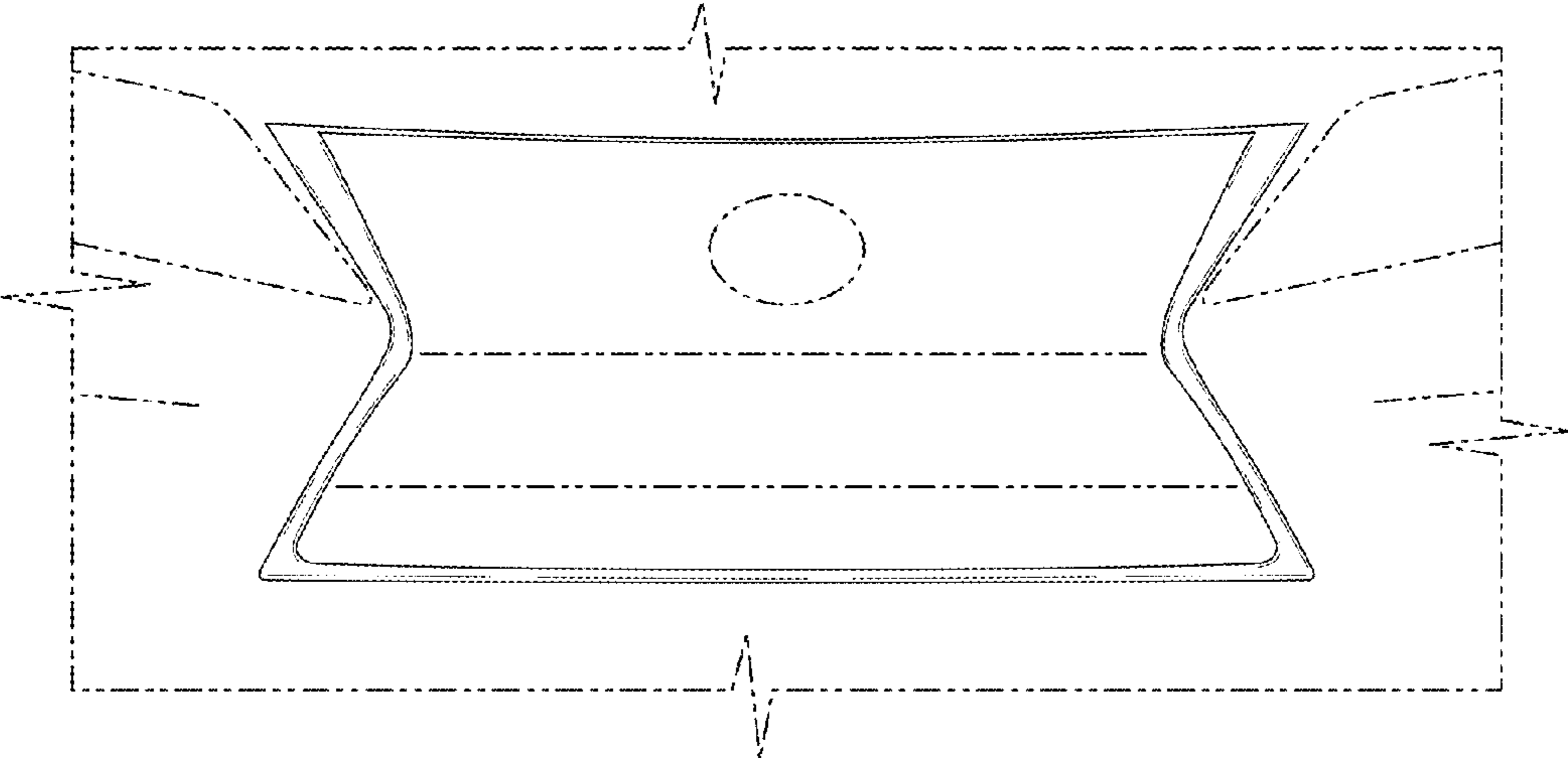


Fig. 6