



US00D714194S

(12) **United States Design Patent**  
**DePietro et al.**

(10) **Patent No.:** **US D714,194 S**  
(45) **Date of Patent:** **\*\* Sep. 30, 2014**

(54) **HITCH BALL MOUNT**

(75) Inventors: **Thomas DePietro**, Solon, OH (US);  
**Francis Bernart**, North Canton, OH (US)

(73) Assignee: **Cequent Consumer Products, Inc.**,  
Solon, OH (US)

(\*\*) Term: **14 Years**

(21) Appl. No.: **29/425,461**

(22) Filed: **Jun. 22, 2012**

(51) **LOC (10) Cl.** ..... **12-16**

(52) **U.S. Cl.**  
USPC ..... **D12/162**

(58) **Field of Classification Search**  
USPC ..... D12/162, 159, 160, 161; 56/DIG. 14;  
37/399; 280/406.2, 407, 407.1, 408,  
280/411.1, 416.1, 416.2, 416.3, 418, 418.1,  
280/433, 434, 435, 441.1, 441.2, 455.1,  
280/456.1, 480, 493, 504, 507, 508;  
224/42.11, 42.12, 42.14, 42.26, 400,  
224/401, 412, 413, 488, 494, 500-501, 519,  
224/537; 135/88.05; 150/166  
See application file for complete search history.

6,783,144	B2	8/2004	McCoy et al.	
6,896,282	B1	5/2005	McKinley	
6,974,148	B2 *	12/2005	Moss et al.	280/511
6,983,950	B2	1/2006	McCoy et al.	
7,004,492	B2	2/2006	Moss et al.	
7,029,022	B2	4/2006	Moss	
7,204,505	B2 *	4/2007	Moss	280/491.1
7,222,510	B2 *	5/2007	Andersen	72/255
D613,208	S	4/2010	McCoy	
7,690,672	B2	4/2010	Scruggs	
2002/0113405	A1	8/2002	Moss et al.	
2003/0052472	A1	3/2003	Moss et al.	
2005/0067812	A1	3/2005	Moss et al.	
2007/0187447	A1	8/2007	Hamann	
2008/0073872	A1	3/2008	Scott	
2009/0039619	A1	2/2009	Gries	
2009/0295123	A1	12/2009	Good	
2011/0181022	A1	7/2011	Gries	

**FOREIGN PATENT DOCUMENTS**

CN ZL201230649636.0 6/2013

\* cited by examiner

*Primary Examiner* — Katrina A Betton

(74) *Attorney, Agent, or Firm* — McDonald Hopkins LLC

(57) **CLAIM**

The ornamental design of a hitch ball mount, as shown and described.

(56) **References Cited**

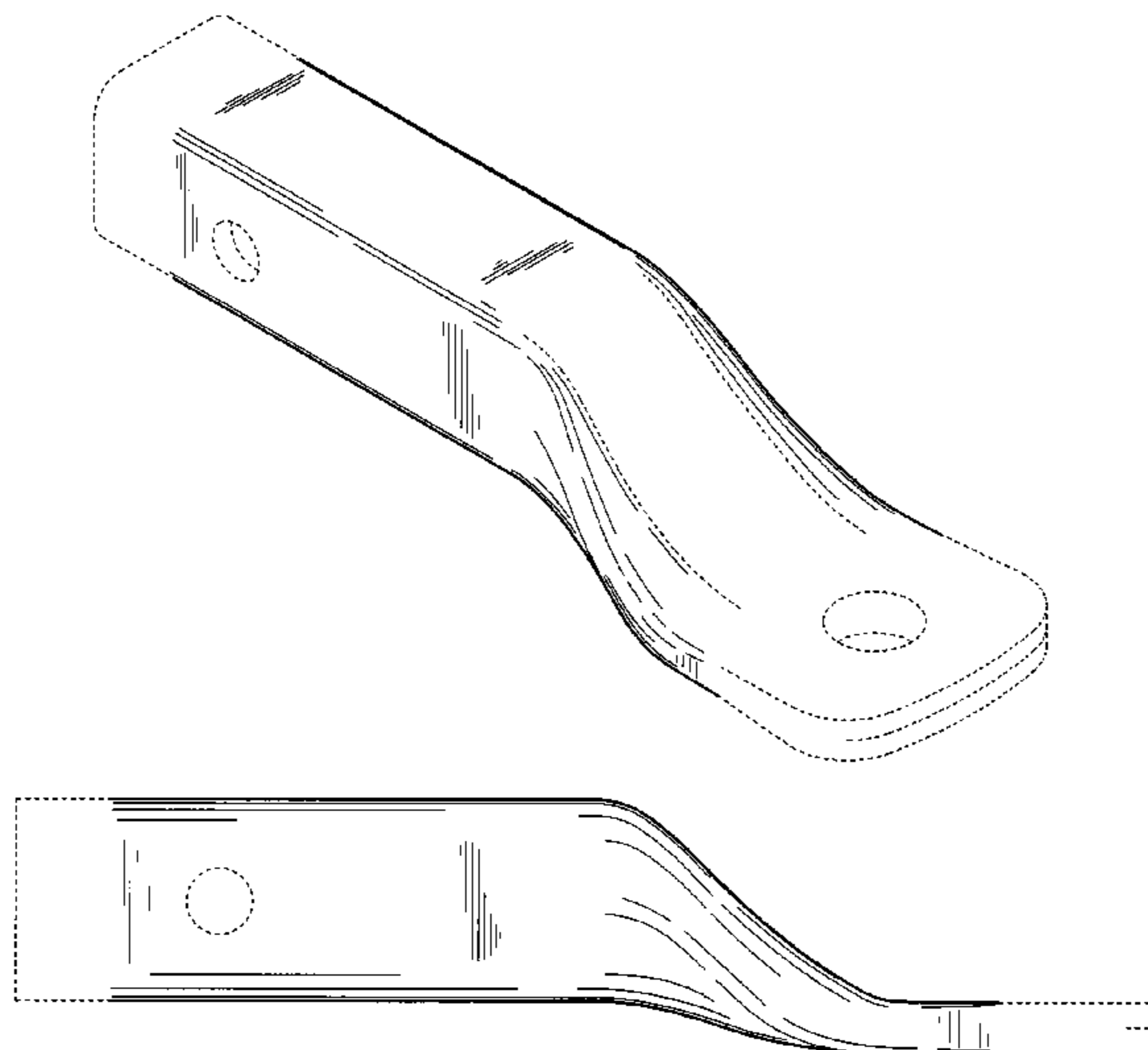
**U.S. PATENT DOCUMENTS**

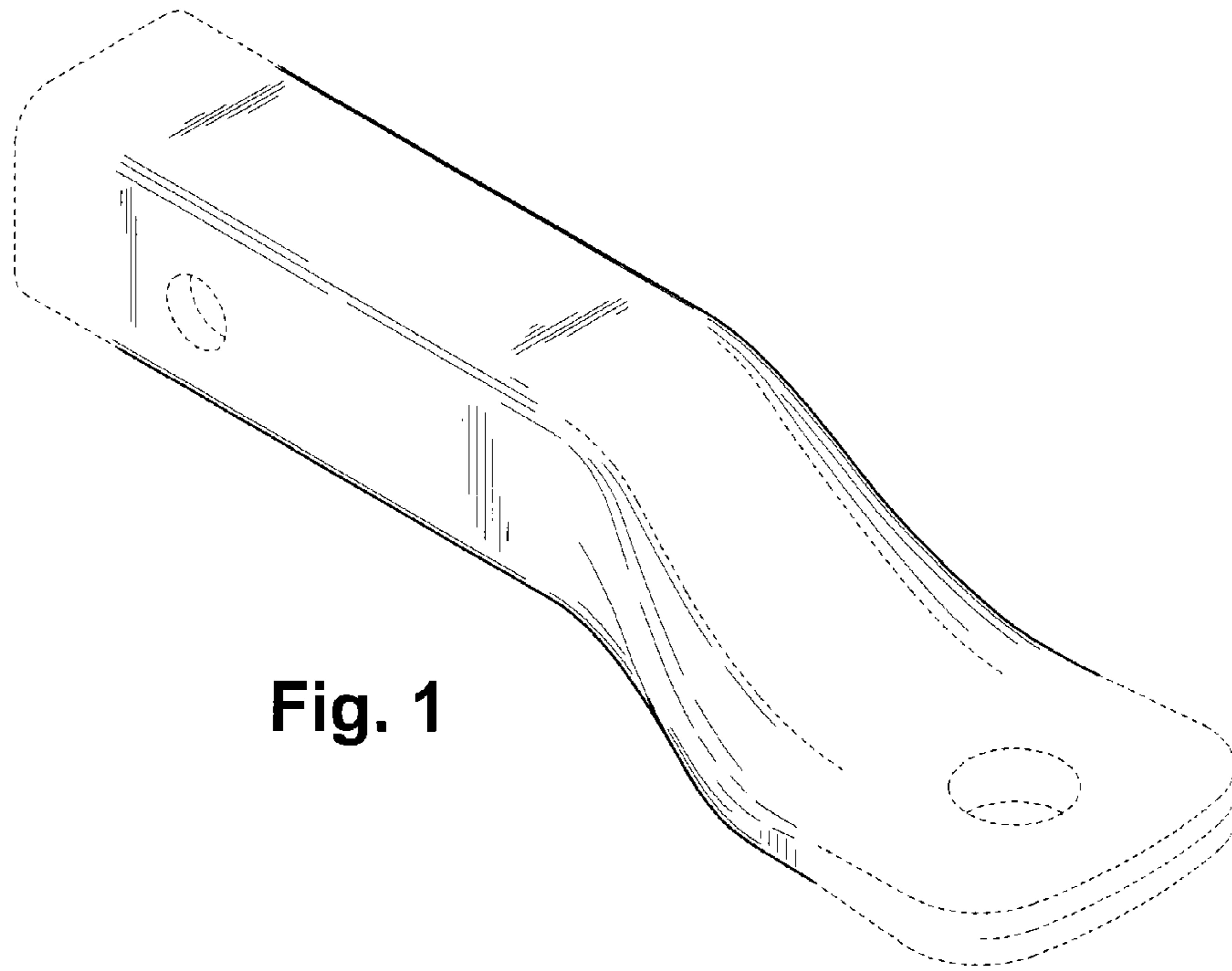
D157,643	S	3/1950	Swaigood
5,265,899	A	11/1993	Harrison
5,725,229	A	3/1998	McWethy
D397,067	S	8/1998	McCoy et al.
5,873,594	A	2/1999	McCoy et al.
6,010,142	A	1/2000	McCoy et al.
D431,216	S	9/2000	Belinky
6,139,043	A	10/2000	Gries et al.
6,186,531	B1	2/2001	Parent
D443,567	S	6/2001	Weir et al.
D475,327	S	6/2003	McCoy et al.
6,581,953	B2	6/2003	Jerry
6,616,168	B2	9/2003	Belinky

**DESCRIPTION**

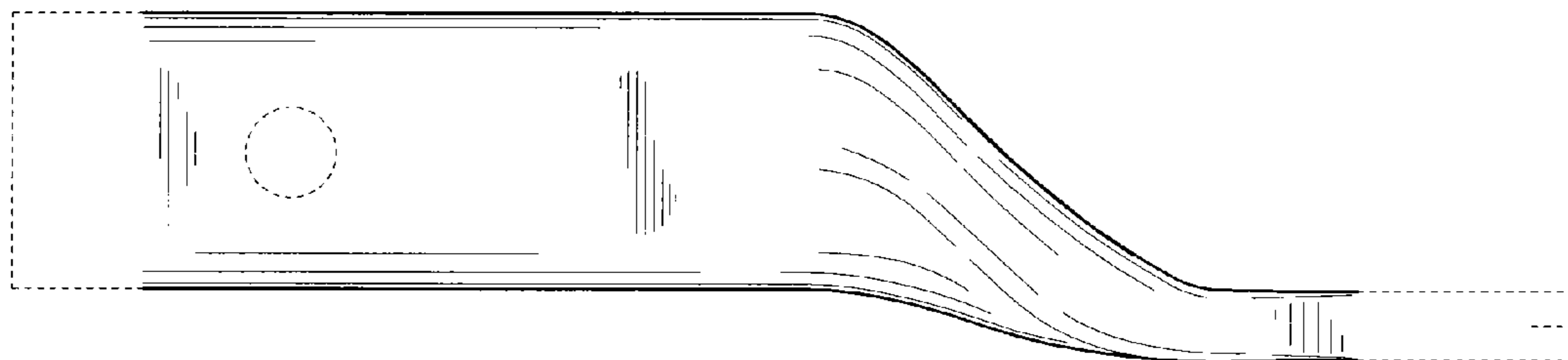
FIG. 1 is a top perspective view of a hitch ball mount showing our new design;  
 FIG. 2 is a side view thereof;  
 FIG. 3 is a front view thereof;  
 FIG. 4 is a rear view thereof;  
 FIG. 5 is a top view thereof; and,  
 FIG. 6 is a bottom view thereof.  
 The broken lines in the figures are included for the purpose of illustrating portions of a hitch ball mount and form no part of the claimed design.

**1 Claim, 2 Drawing Sheets**

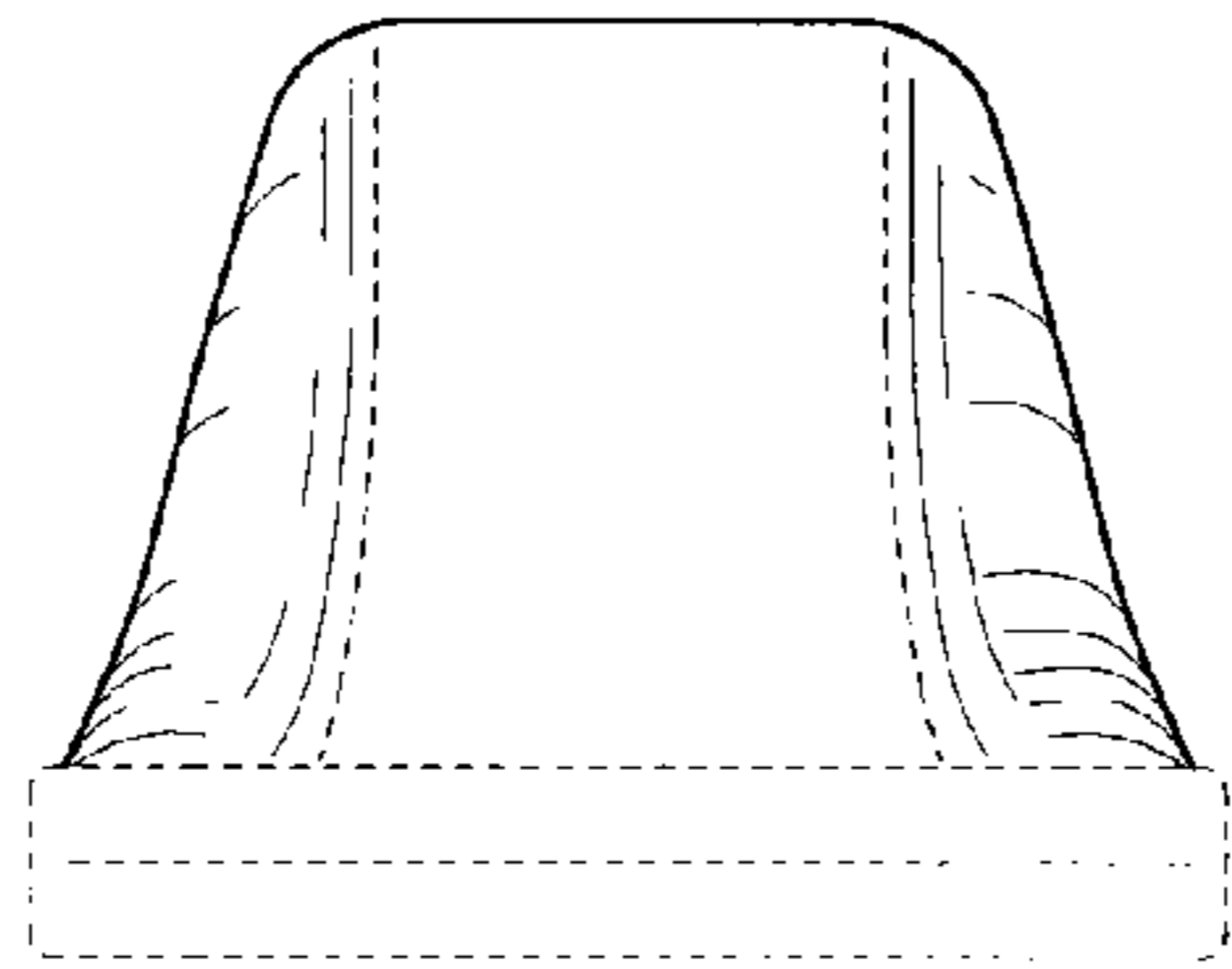




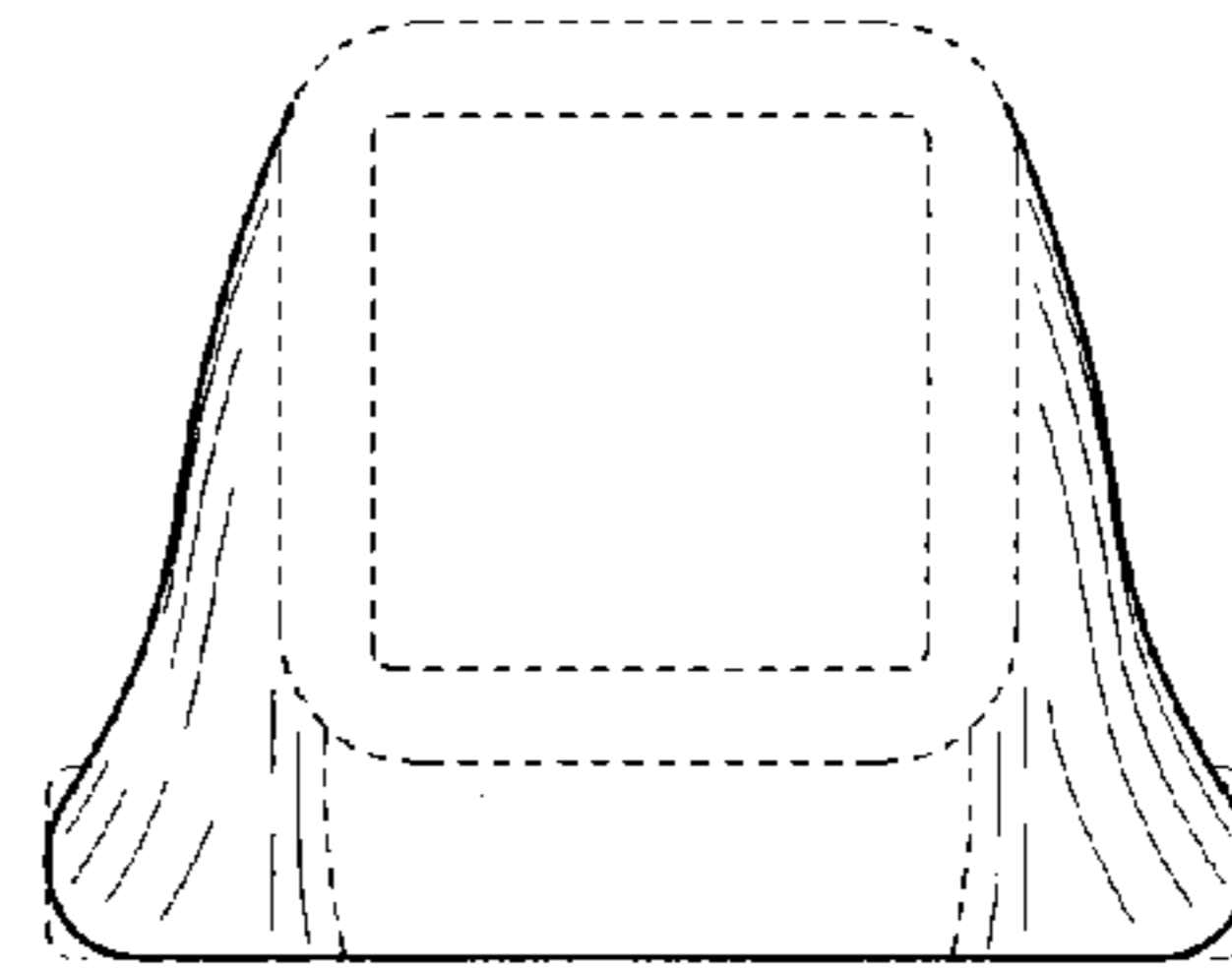
**Fig. 1**



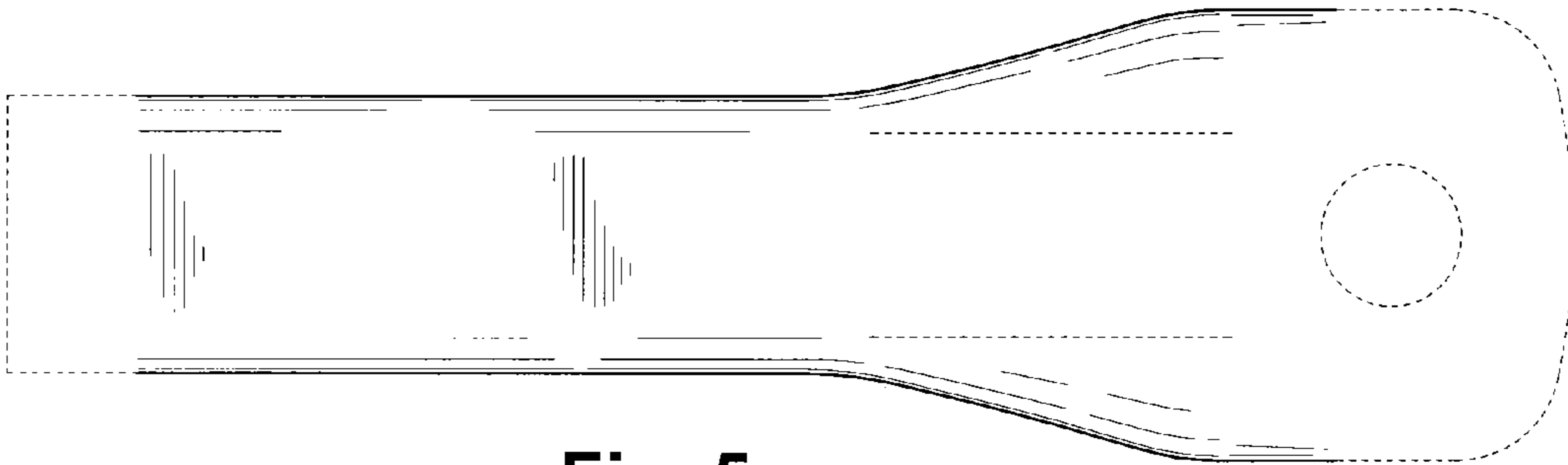
**Fig. 2**



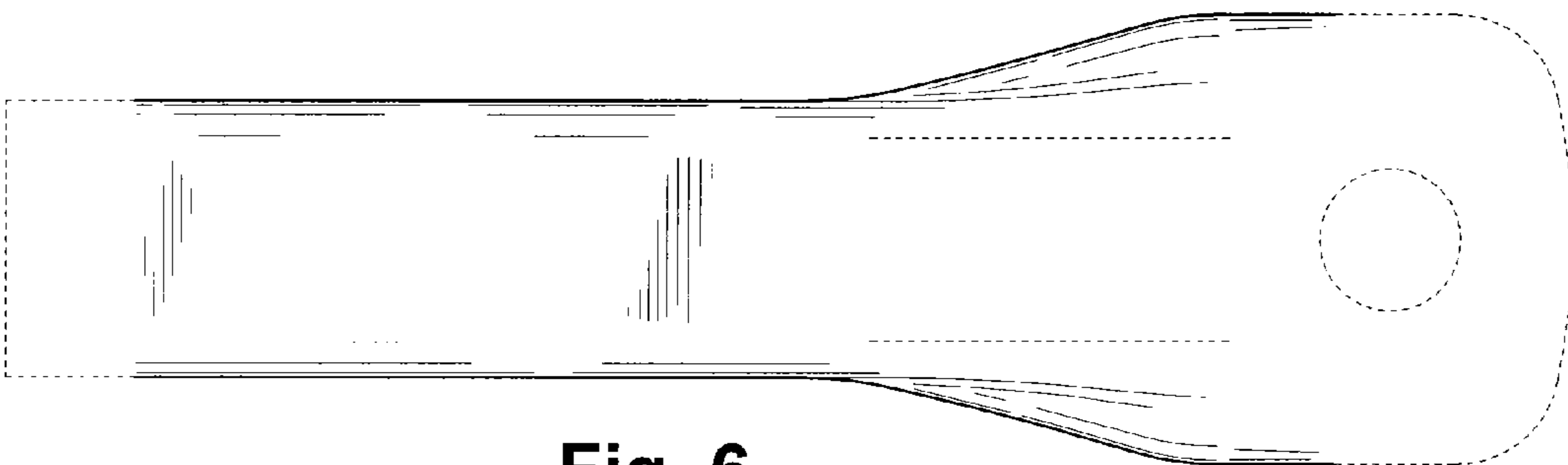
**Fig. 3**



**Fig. 4**



**Fig. 5**



**Fig. 6**