



US00D714190S

(12) **United States Design Patent**  
**Kim**

(10) **Patent No.:** **US D714,190 S**

(45) **Date of Patent:** **\*\* Sep. 30, 2014**

(54) **VEHICLE, TOY, AND/OR REPLICAS THEREOF**

D664,894 S \* 8/2012 Huet ..... D12/91  
D664,896 S \* 8/2012 Szews et al. .... D12/91  
D684,502 S 6/2013 Kim  
D695,645 S \* 12/2013 Tase et al. .... D12/91

(71) Applicant: **Bayerische Motoren Werke Aktiengesellschaft, Munich (DE)**

**FOREIGN PATENT DOCUMENTS**

(72) Inventor: **Richard Kim, Los Angeles, CA (US)**

EM 001819269-0001 2/2011  
EM 001898289-0001 9/2011  
EM 001983032-0001 2/2012

(73) Assignee: **Bayerische Motoren Werke Aktiengesellschaft, Munich (DE)**

\* cited by examiner

(\*\*) Term: **14 Years**

*Primary Examiner* — Melody Brown

(21) Appl. No.: **29/455,787**

(74) *Attorney, Agent, or Firm* — Crowell & Moring LLP

(22) Filed: **May 24, 2013**

(57) **CLAIM**

The ornamental design for a vehicle, toy, and/or replicas thereof, as shown and described.

(30) **Foreign Application Priority Data**

**DESCRIPTION**

Nov. 26, 2012 (DE) ..... 40 2012 101 027

(51) **LOC (10) Cl.** ..... **12-08**

(52) **U.S. Cl.**  
USPC ..... **D12/91**

(58) **Field of Classification Search**  
USPC ..... D12/86, 90-92, 88; D21/424, 433, 434;  
296/181.1, 181.5  
See application file for complete search history.

This application contains subject matter related to the following co-pending U.S. design patent applications:

Application Ser. No. 29/455,788, filed herewith and entitled "Headlight for a Vehicle"; and

Application Ser. No. 29/455,789, filed herewith and entitled "Taillight for a Vehicle".

FIG. 1 is a left, front perspective view of a vehicle, toy, and/or replicas thereof according to the design;

FIG. 2 is a left side view thereof;

FIG. 3 is a right side view thereof;

FIG. 4 is a left, rear perspective view thereof;

FIG. 5 is a front view thereof;

FIG. 6 is a rear view thereof; and,

FIG. 7 is a top view thereof.

(56) **References Cited**

**U.S. PATENT DOCUMENTS**

D609,135 S \* 2/2010 Kim ..... D12/91  
D621,750 S \* 8/2010 Majdanzic ..... D12/92  
D631,397 S \* 1/2011 Clottu ..... D12/91  
D638,334 S \* 5/2011 Taniko et al. .... D12/92

**1 Claim, 7 Drawing Sheets**





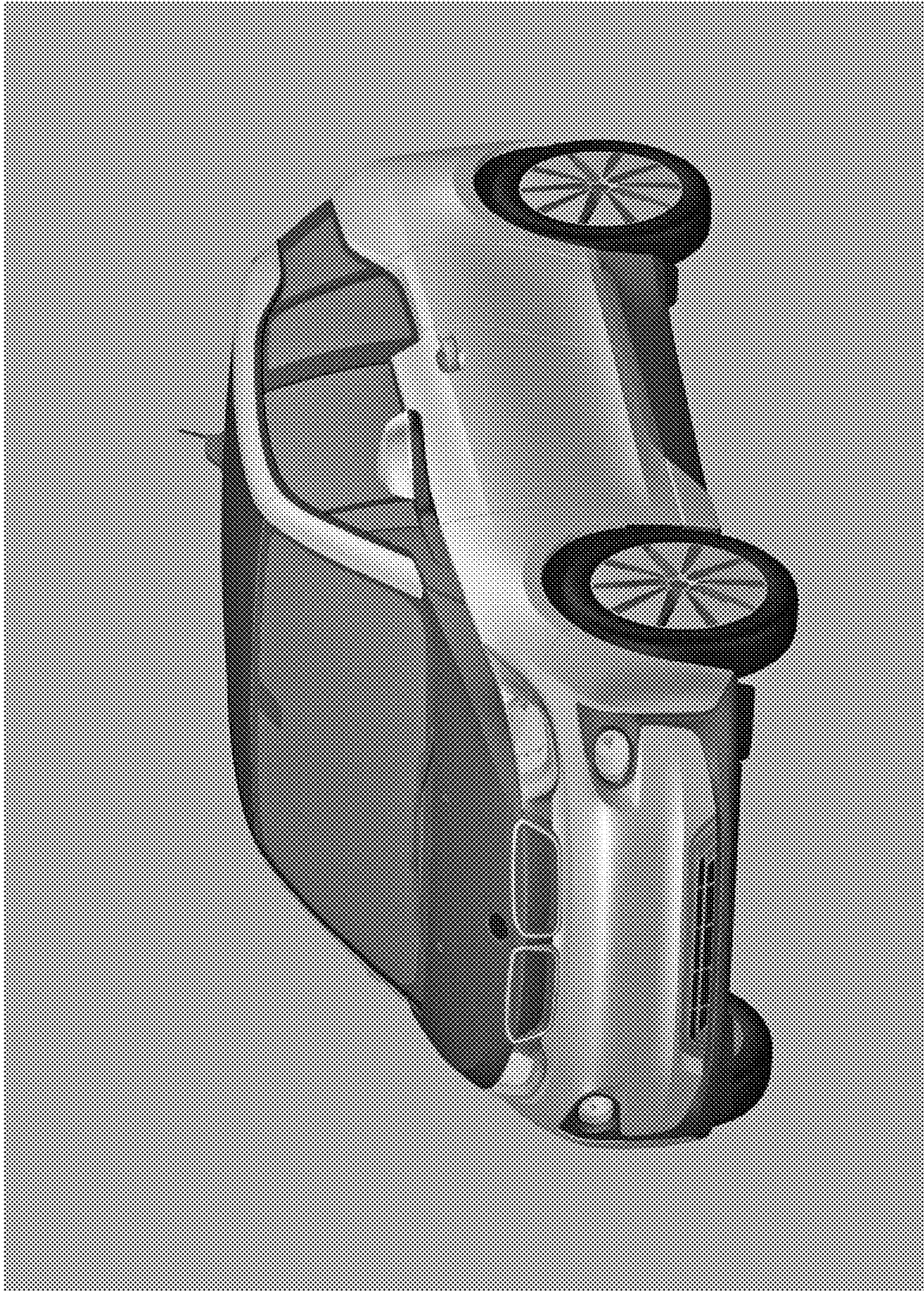


Fig. 1



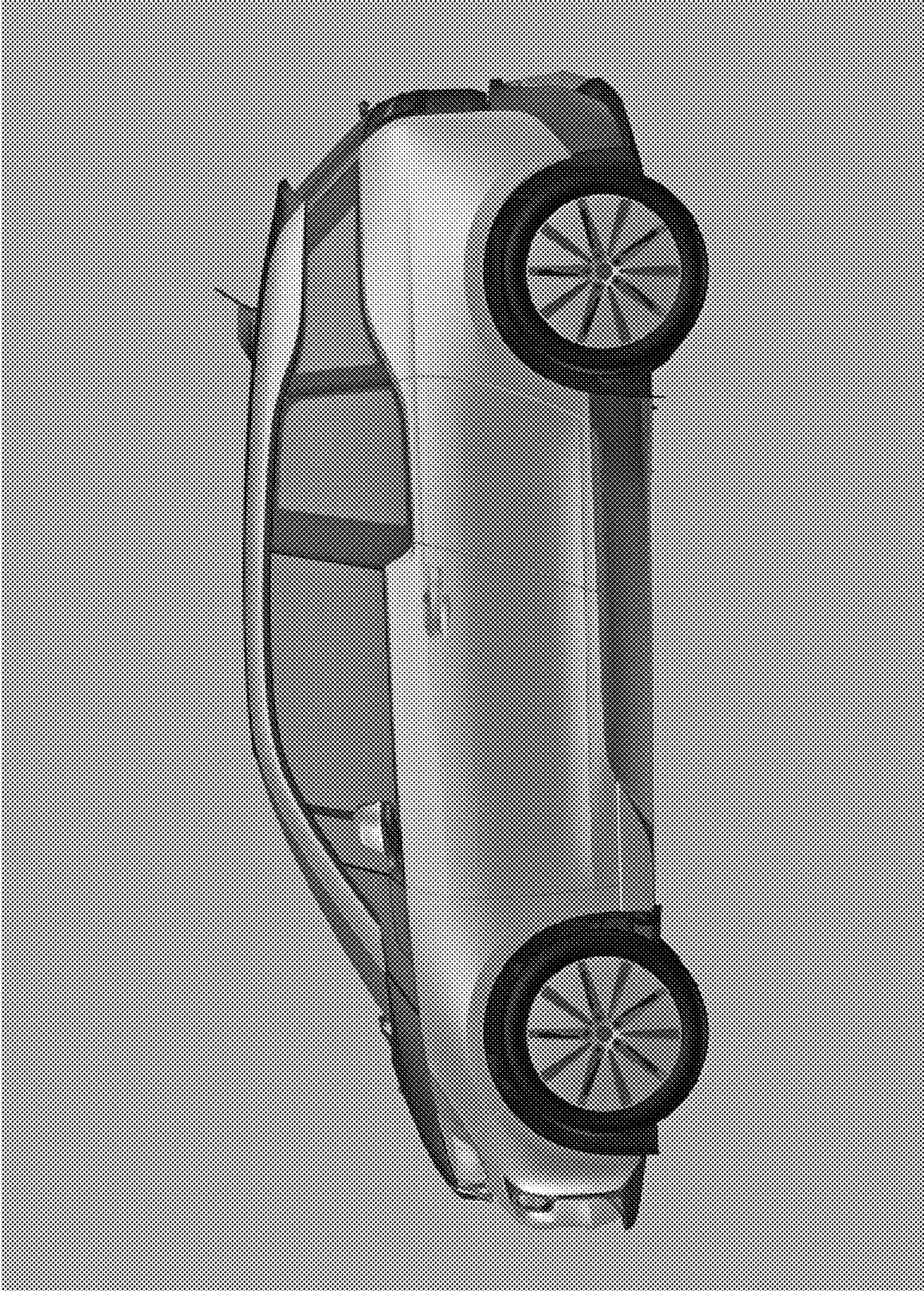


Fig. 2



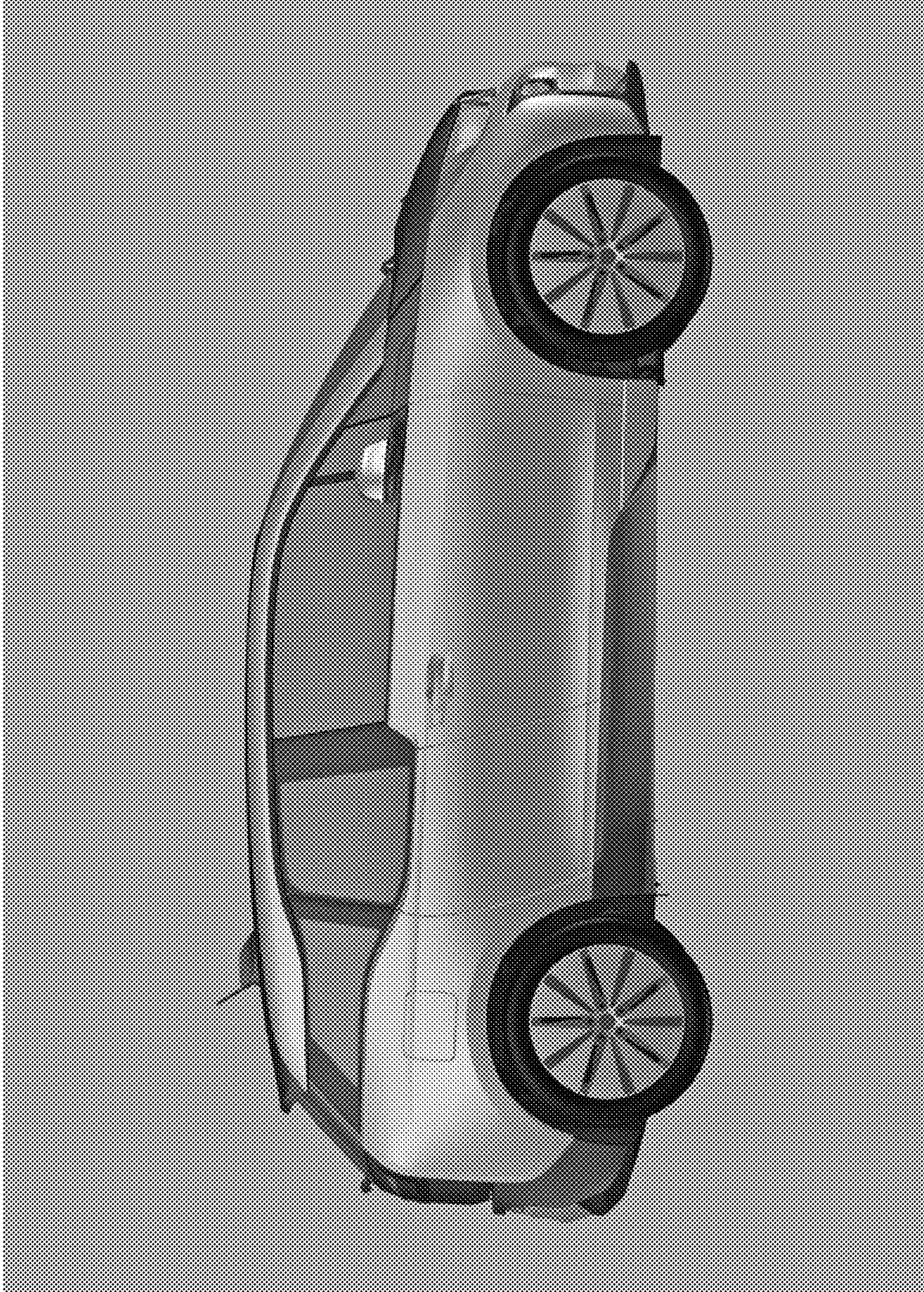


Fig. 3



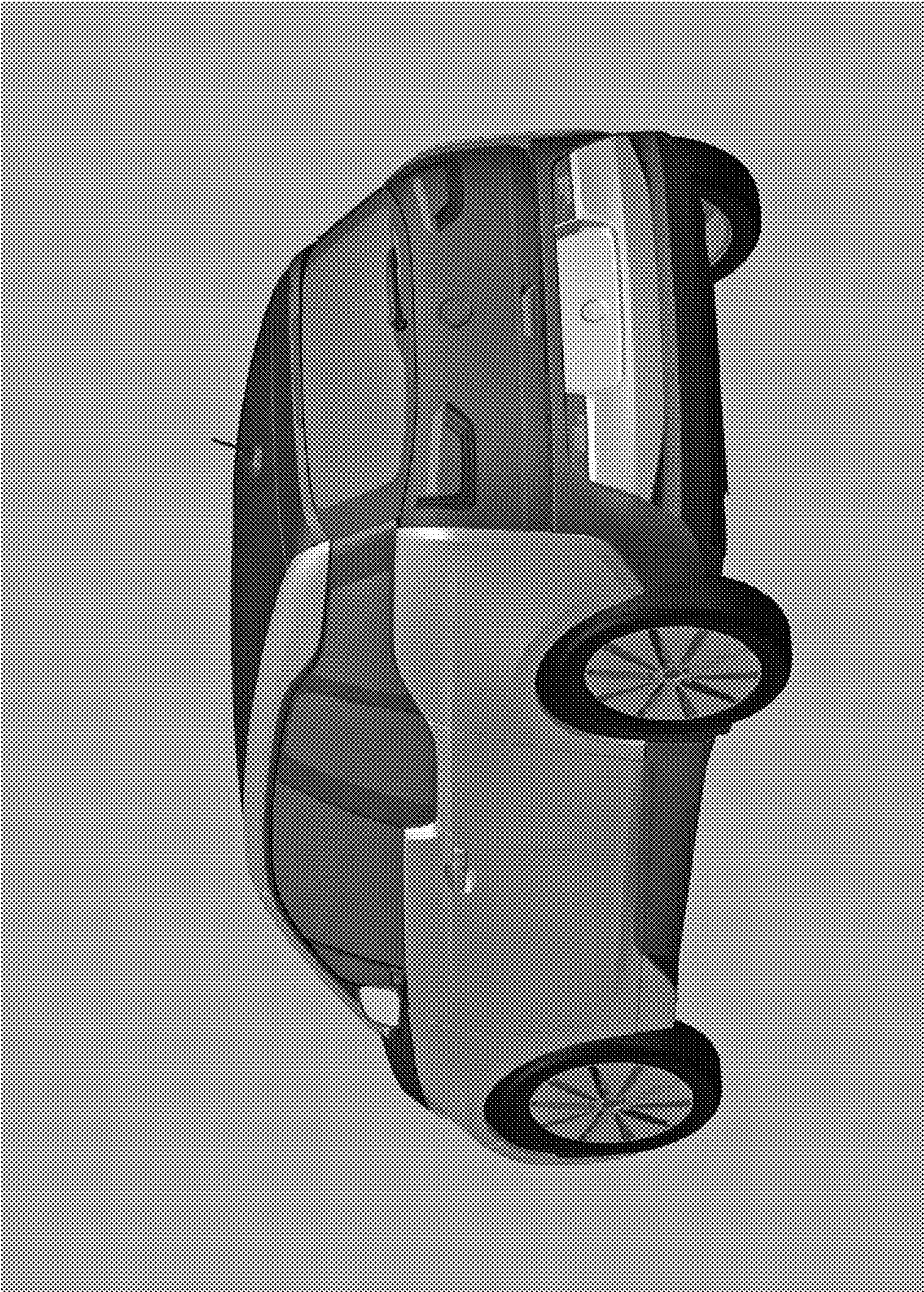


Fig. 4



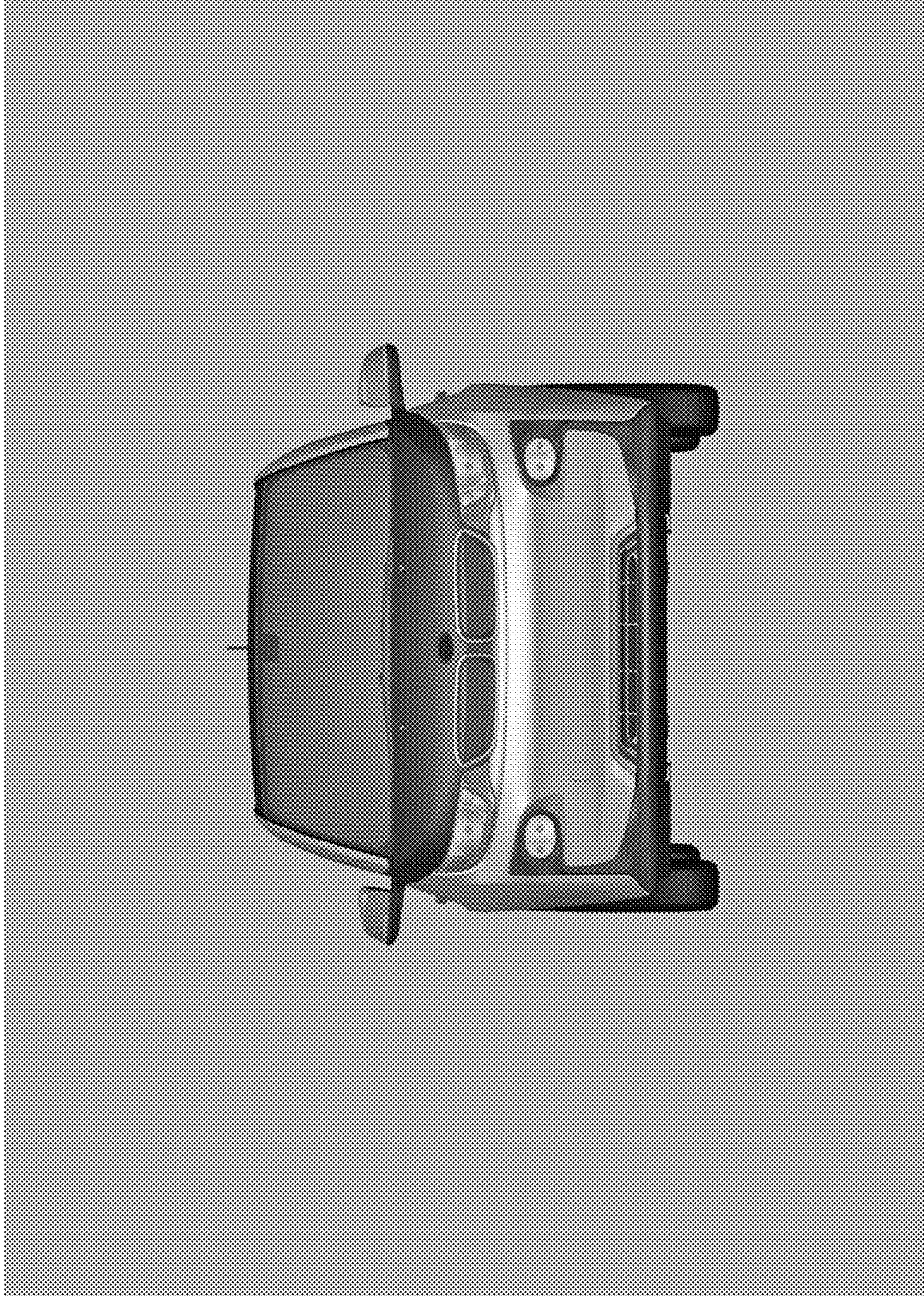


Fig. 5



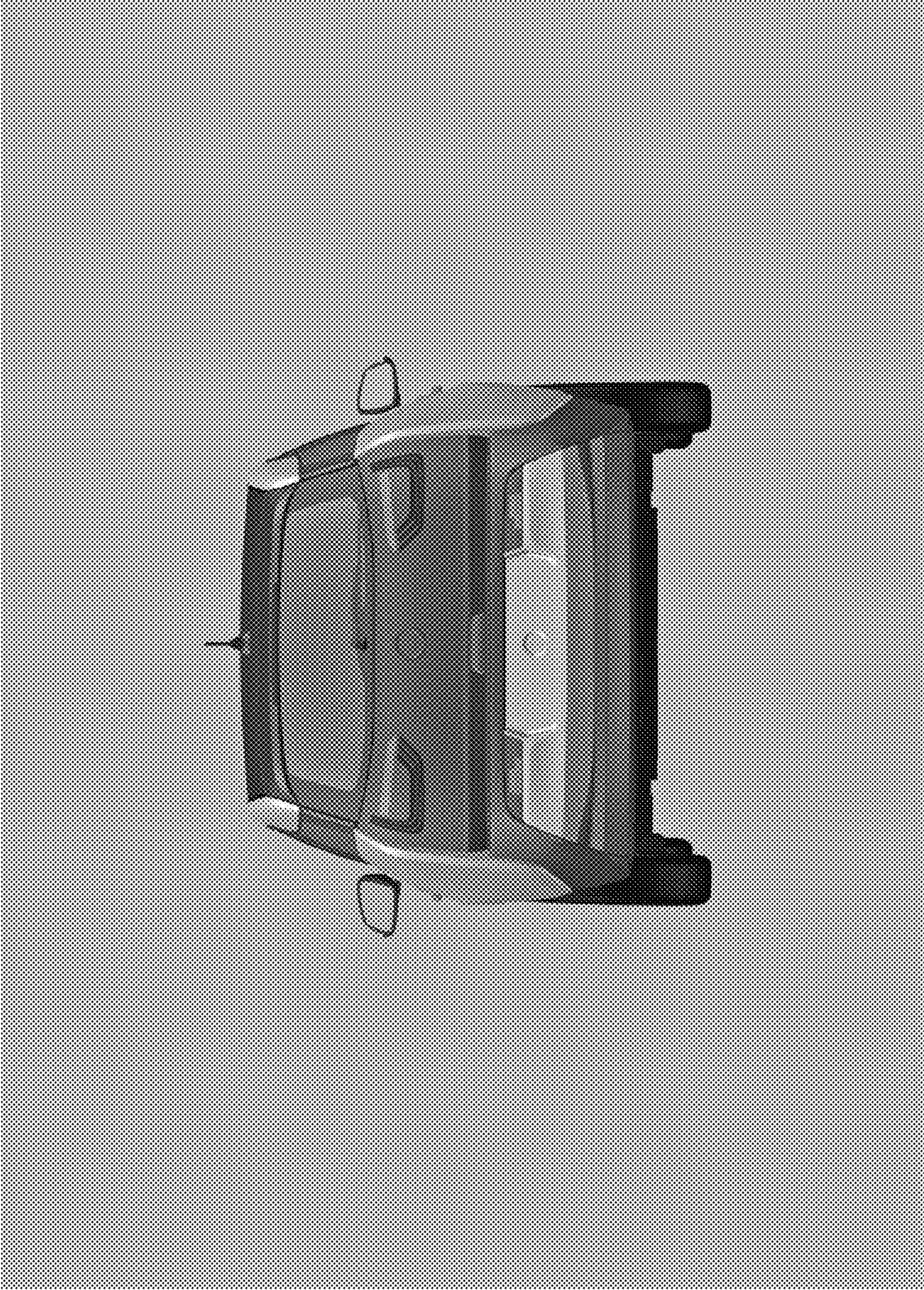


Fig. 6



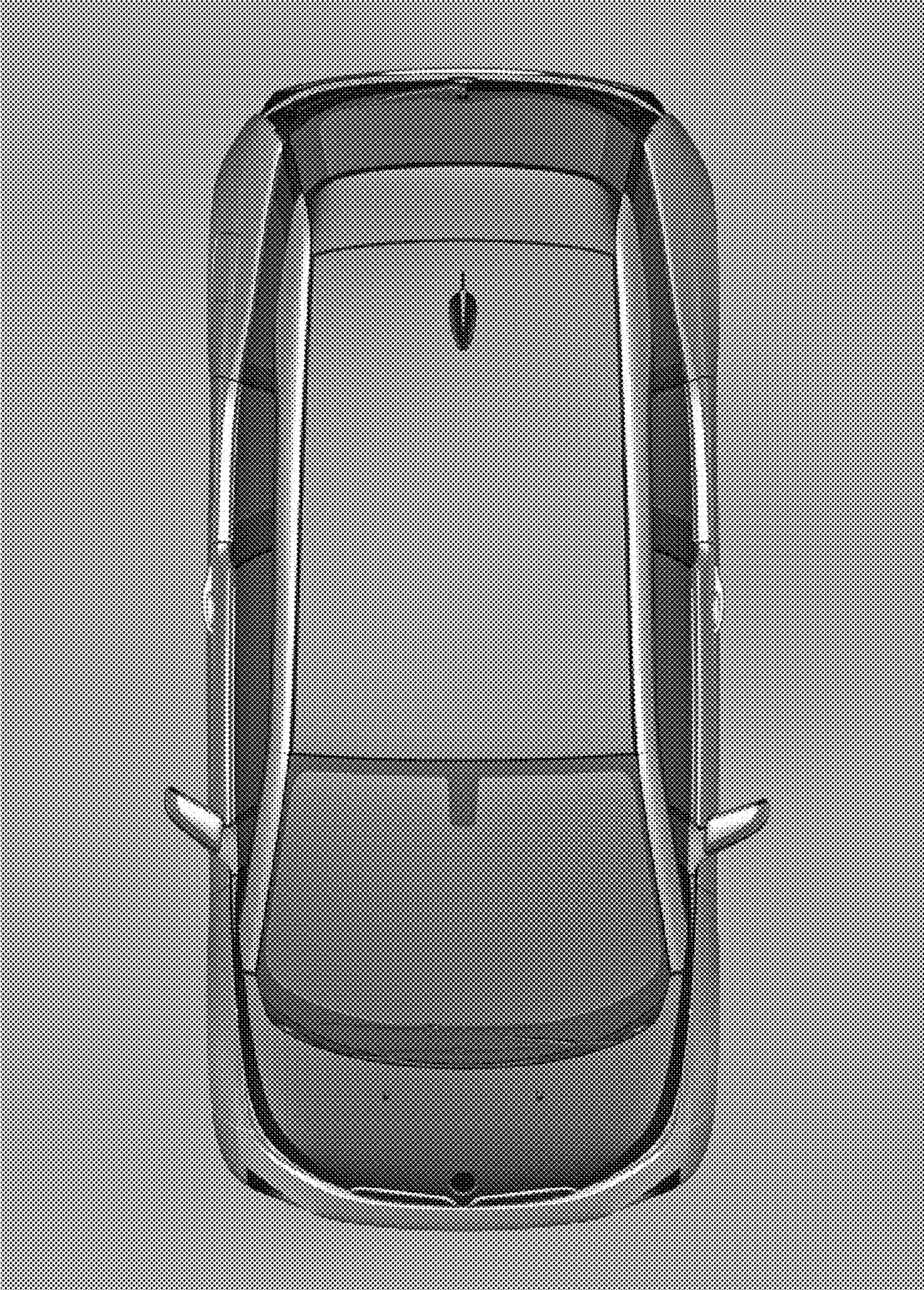


Fig. 7