



US00D714186S

(12) **United States Design Patent**
Wu et al.

(10) **Patent No.:** **US D714,186 S**

(45) **Date of Patent:** **** Sep. 30, 2014**

(54) **UTILITY VEHICLE**

(71) Applicants: **Wen-Yung Wu**, Kaohsiung (TW);
Kuo-Feng Huang, Kaohsiung (TW)

(72) Inventors: **Wen-Yung Wu**, Kaohsiung (TW);
Kuo-Feng Huang, Kaohsiung (TW)

(73) Assignee: **Kwang Yang Motor Co., Ltd.**,
Kaohsiung (TW)

(**) Term: **14 Years**

(21) Appl. No.: **29/438,793**

(22) Filed: **Dec. 4, 2012**

(51) **LOC (10) Cl.** **12-13**

(52) **U.S. Cl.**
USPC **D12/14**

(58) **Field of Classification Search**
USPC D12/14, 1, 87, 86, 433, 15, 16, 107, 82,
D12/88, 89, 90, 91, 92, 93; D21/803;
180/233, 908; 208/DIG. 5, 183, 184,
208/185, 186, 28, 37.7
See application file for complete search history.

(56) **References Cited**

U.S. PATENT DOCUMENTS

D578,433 S	*	10/2008	Kawaguchi et al.	D12/14
D586,694 S	*	2/2009	Huang et al.	D12/14
D604,201 S	*	11/2009	Kawaguchi et al.	D12/14
D631,395 S	*	1/2011	Tandrup et al.	D12/14

8,256,563 B2	*	9/2012	Suzuki et al.	180/292
D670,198 S	*	11/2012	Li et al.	D12/14
D682,738 S	*	5/2013	Li et al.	D12/14
D689,396 S	*	9/2013	Wang	D12/14
D699,627 S	*	2/2014	Tang	D12/14
2008/0053738 A1	*	3/2008	Kosuge et al.	180/311
2012/0152637 A1	*	6/2012	Hapka	180/233

* cited by examiner

Primary Examiner — T. Chase Nelson

Assistant Examiner — Ania Aman

(74) *Attorney, Agent, or Firm* — Leong C. Lei

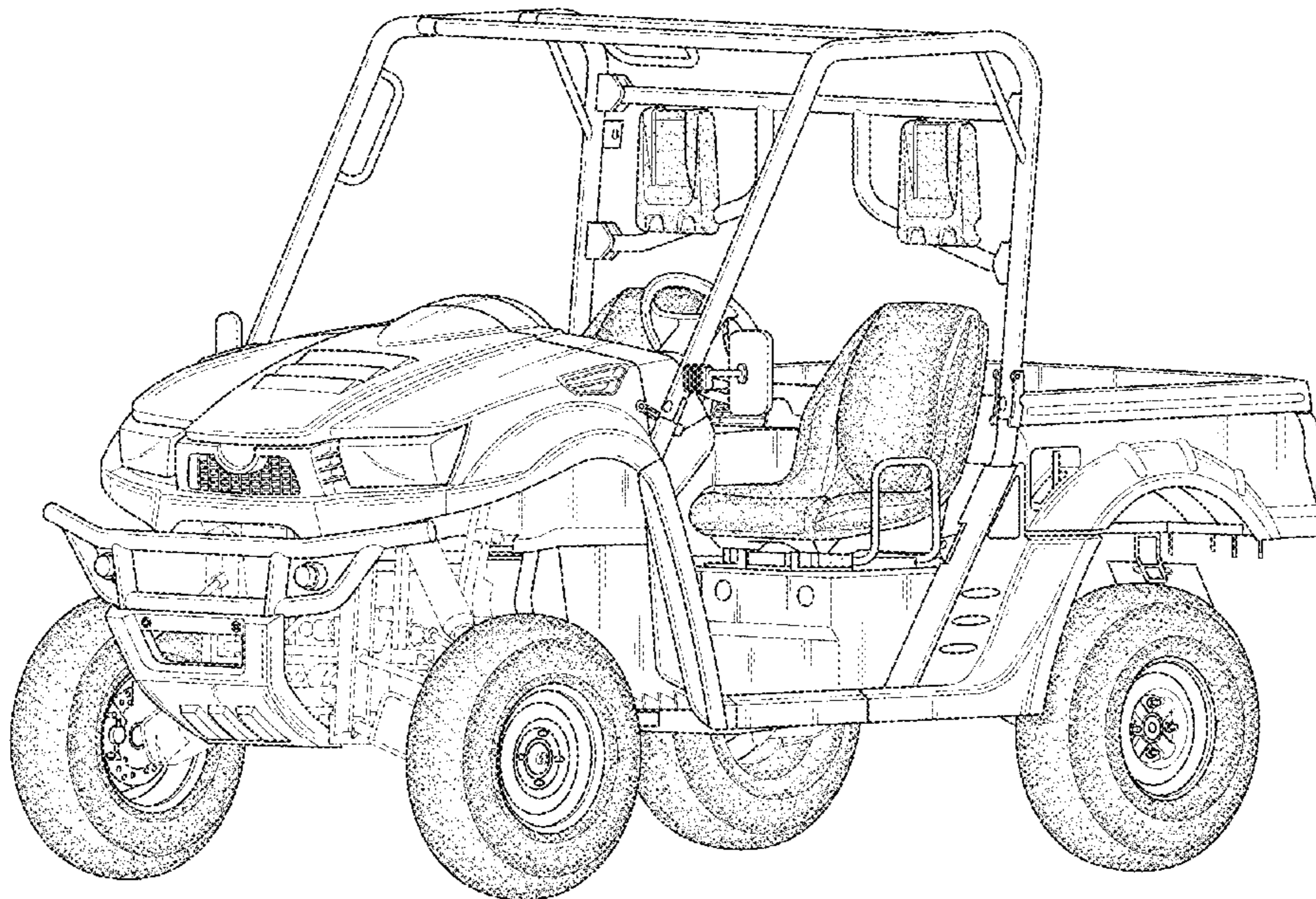
(57) **CLAIM**

The ornamental design for an utility vehicle, as shown and described.

DESCRIPTION

FIG. 1 is a perspective view of an utility vehicle showing my new design;
FIG. 2 is a front elevational view thereof;
FIG. 3 is a rear elevational view thereof;
FIG. 4 is a left side elevational view thereof;
FIG. 5 is a right side elevational view thereof;
FIG. 6 is a top plan view thereof; and,
FIG. 7 is a bottom plan view thereof.
The broken lines shown in the drawings are for the purpose of illustrating portions of the article that form no part of the claimed design.

1 Claim, 6 Drawing Sheets



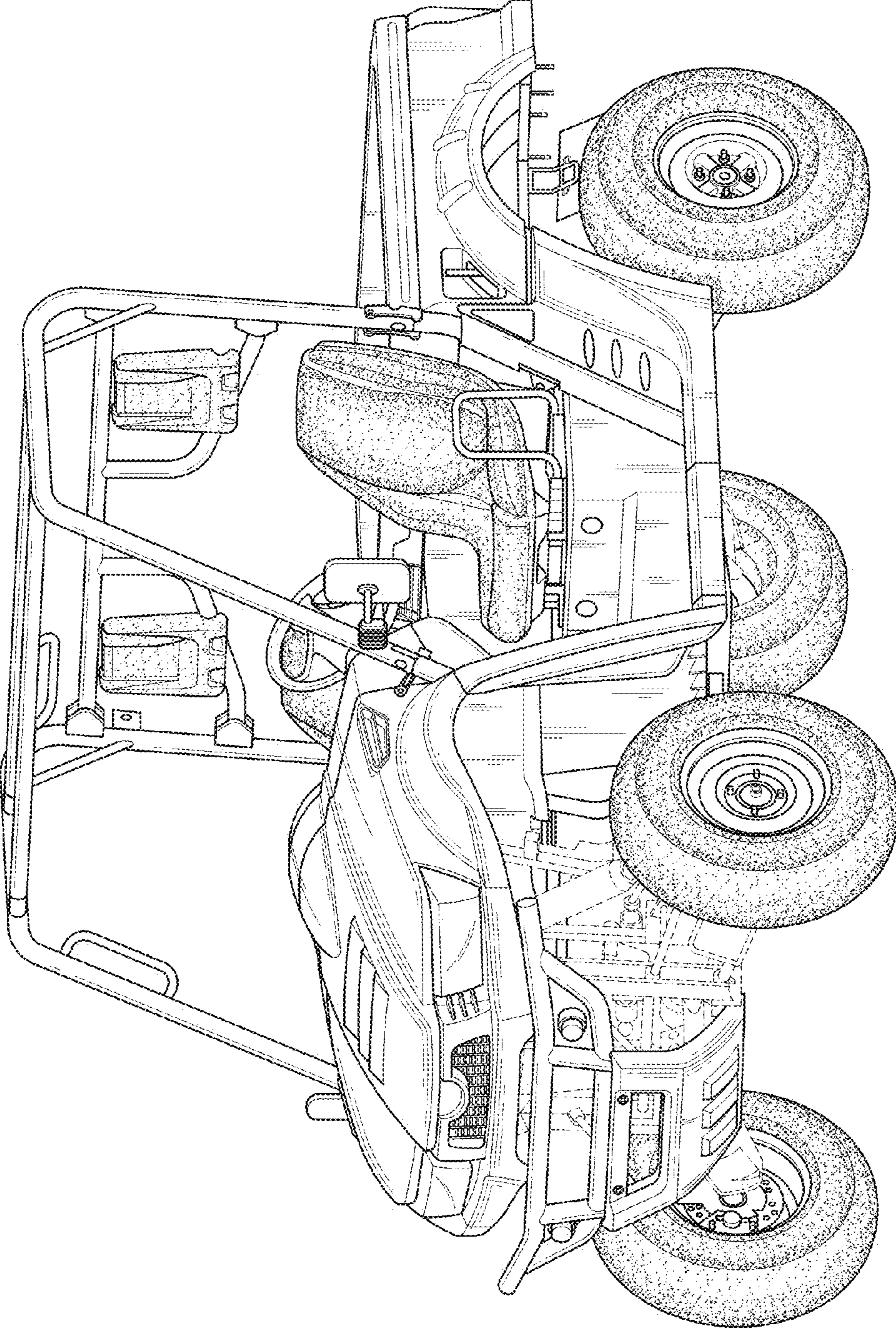


FIG.1

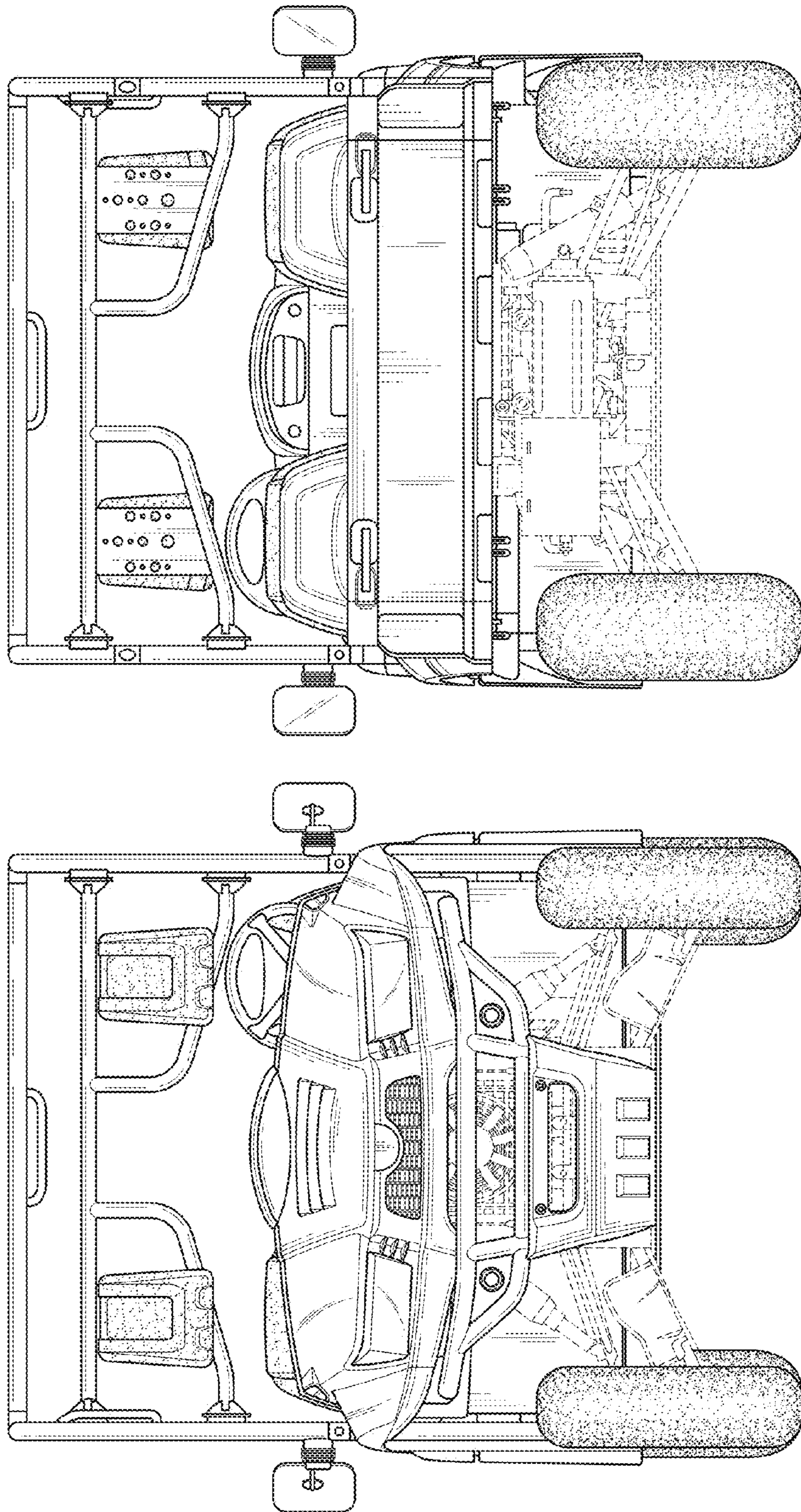


FIG.3

FIG.2

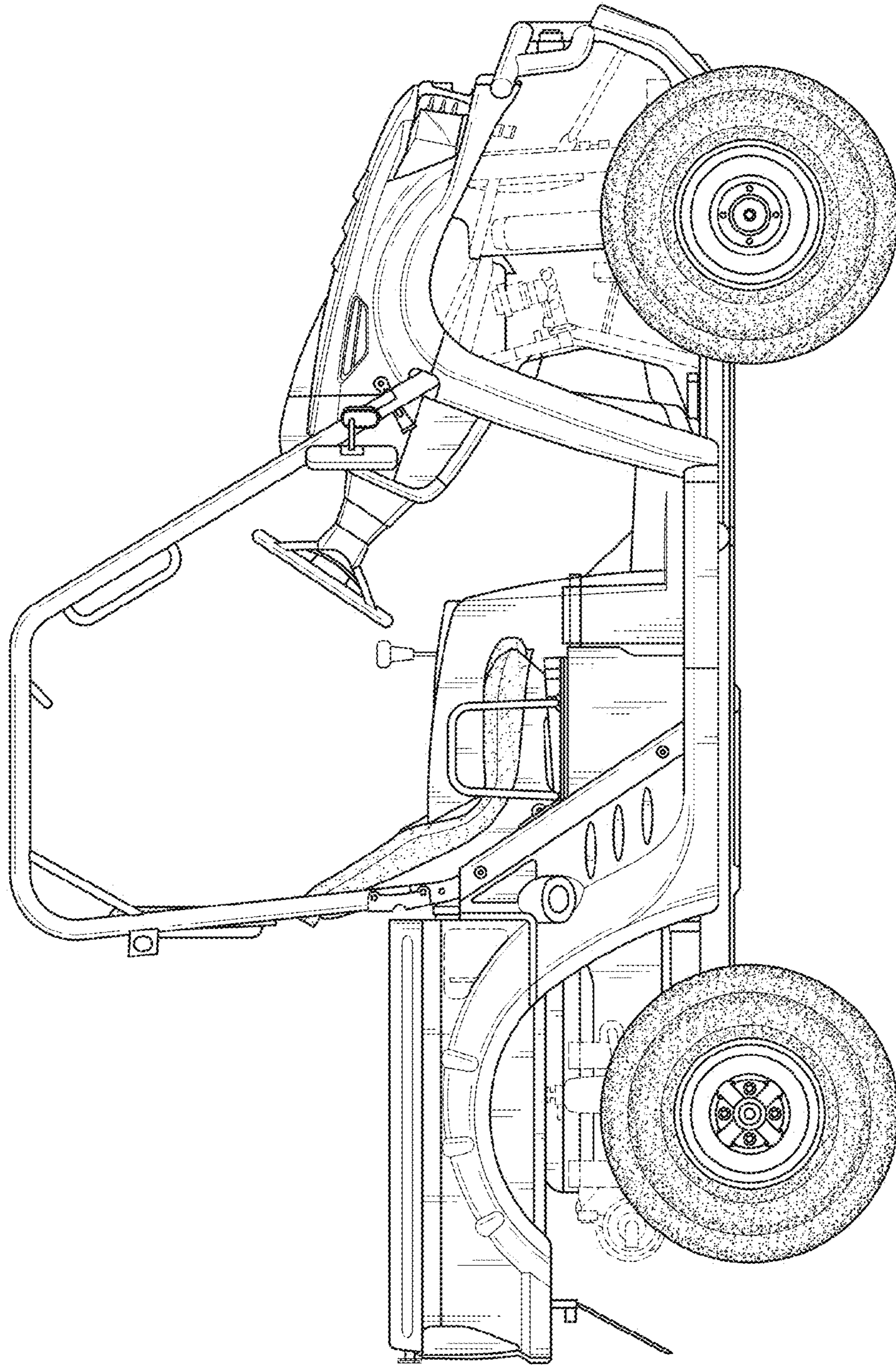


FIG.4

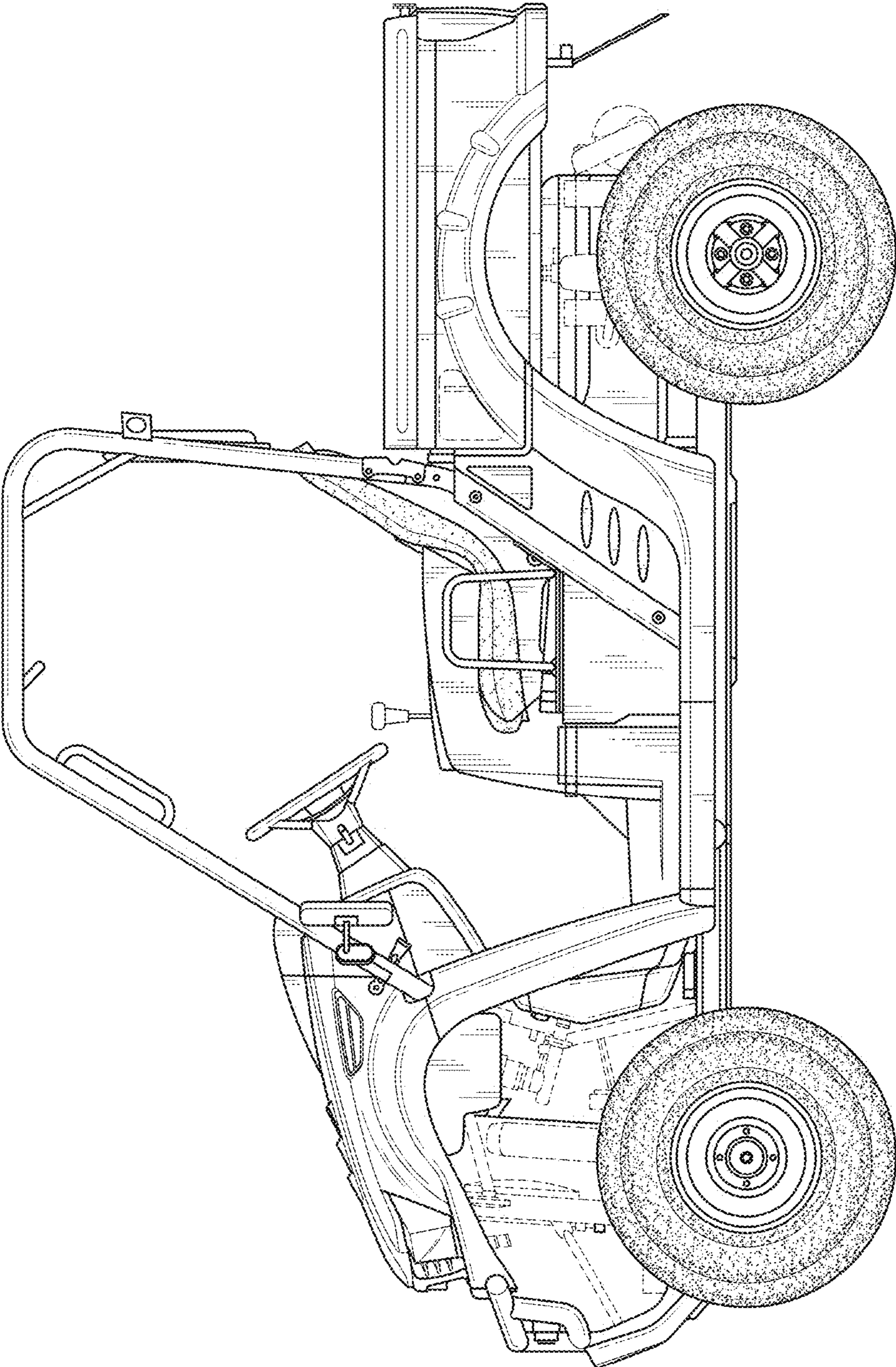


FIG.5

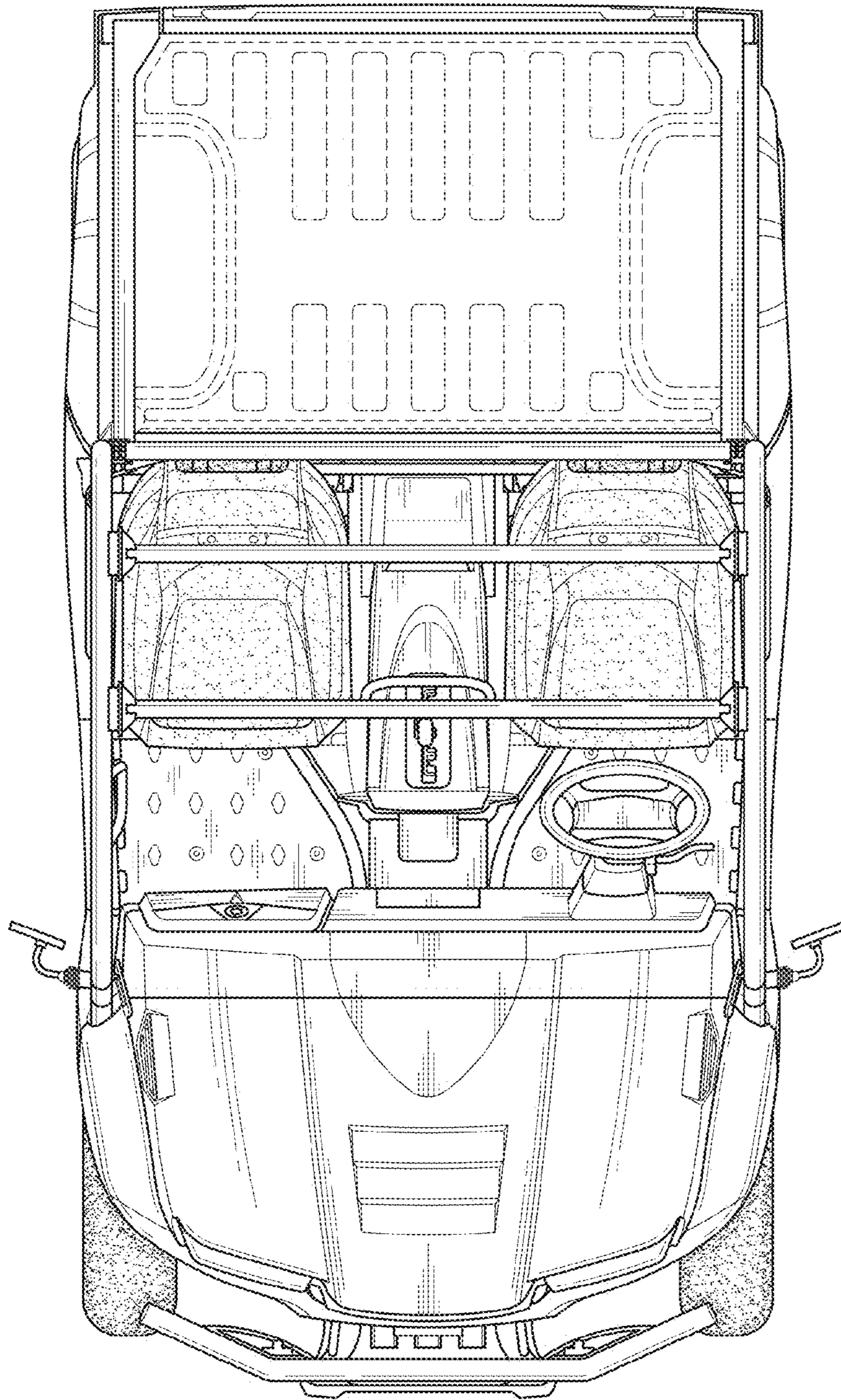


FIG.6

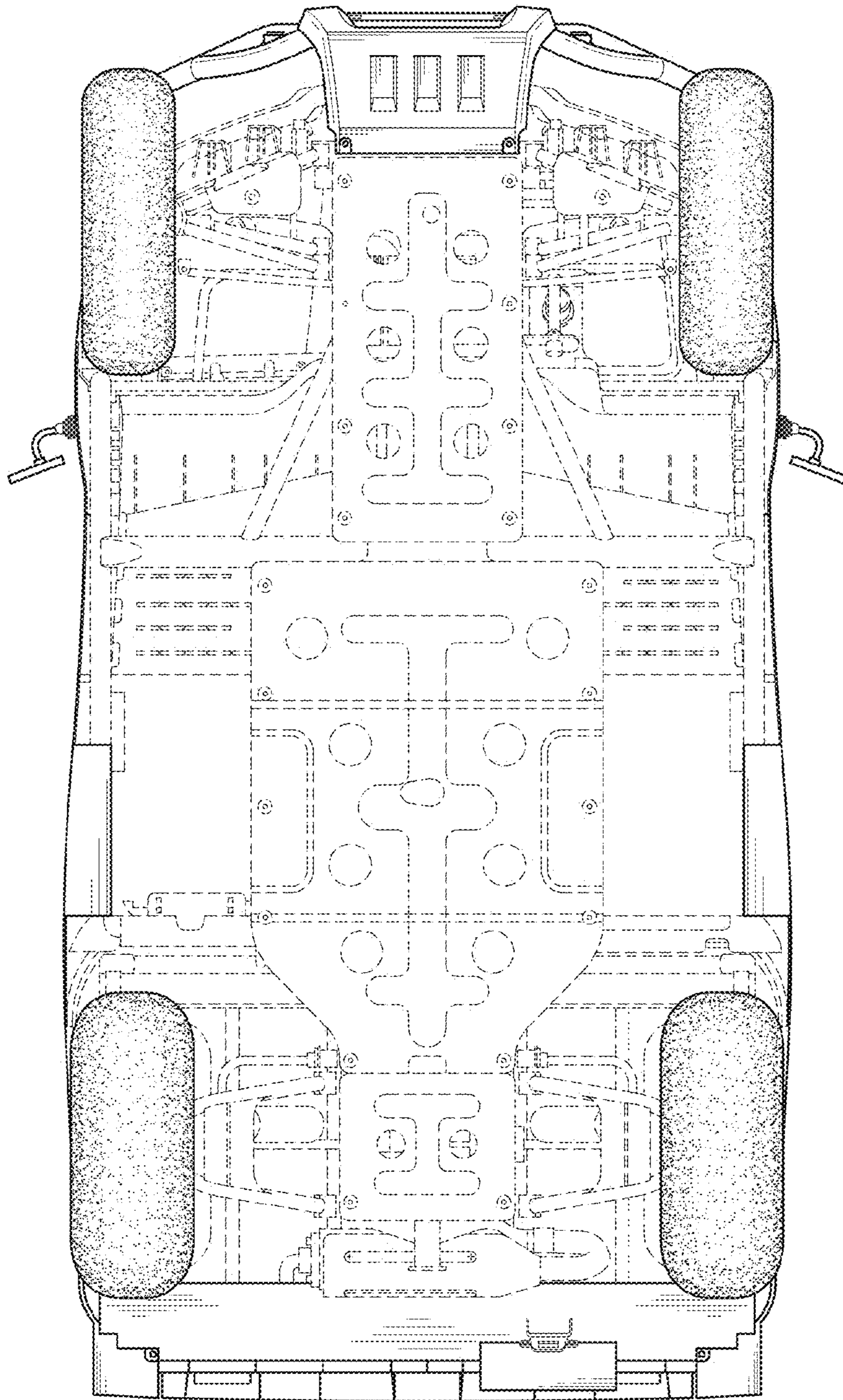


FIG. 7