



US00D714185S

(12) **United States Design Patent**
Kelleghan

(10) **Patent No.:** **US D714,185 S**

(45) **Date of Patent:** **** Sep. 30, 2014**

(54) **BUCKLE WITH BOTTLE OPENER**

D619,497 S * 7/2010 Paik D11/218
D619,498 S * 7/2010 Paik D11/218
D622,178 S 8/2010 Kelleghan
D670,197 S 11/2012 Kelleghan

(71) Applicant: **Bison Designs, LLC**, Longmont, CO
(US)

FOREIGN PATENT DOCUMENTS

(72) Inventor: **Brian James Kelleghan**, Longmont, CO
(US)

CN 202112440 1/2012

(73) Assignee: **Bison Designs, LLC**, Longmont, CO
(US)

OTHER PUBLICATIONS

(**) Term: **14 Years**

Danger Belt [<http://bisondesigns.com/Danger Belt 30mm>].
Last Chance Belt [<http://bisondesigns.com/Last Chance Heavy Duty Gunmetal>].
Viper Belt [<http://bisondesigns.com/Viper Black 30mm>].
U.S. Appl. No. 29/461,734, filed Jul. 26, 2013; First Named Inventor:
Brian James Kelleghan.

(21) Appl. No.: **29/461,741**

(22) Filed: **Jul. 26, 2013**

(51) **LOC (10) Cl.** **02-07**

* cited by examiner

(52) **U.S. Cl.**
USPC **D11/218**

Primary Examiner — Ralf Seifert

(58) **Field of Classification Search**
USPC D11/1-2, 200-201, 206-210, 214-218,
D11/230; 24/163 R, 169-171, 173, 177-179,
24/191, 194-195, 197, 200, 614-616, 625,
24/198, 578.11, 578.1, 163 K, 114;
D22/108; 7/151, 152; D8/33
See application file for complete search history.

(74) *Attorney, Agent, or Firm* — Margaret Polson; Polson &
Associates, PC

(57) **CLAIM**

The ornamental design for buckle with bottle opener, as
shown and described.

(56) **References Cited**

DESCRIPTION

U.S. PATENT DOCUMENTS

1,899,203 A 2/1933 Labreche
2,078,651 A 4/1937 Crocker
3,823,444 A 7/1974 Takabayashi
D301,215 S * 5/1989 Crowle D11/218
D313,343 S 1/1991 Sachs
D389,779 S * 1/1998 Poynter D11/218
D446,162 S 8/2001 Kung
D519,411 S * 4/2006 Yoshiguchi D11/218
D520,908 S 5/2006 Haymond
D536,280 S 2/2007 Wemmer
D545,243 S 6/2007 Gracer et al.
D579,819 S * 11/2008 Brown D11/231

FIG. 1 is a front side elevation view of my new design for a
buckle with bottle opener, the bottle opening lever is shown in
broken lines and is for illustrative purpose only and forms no
part of the claimed design.

FIG. 2 is a back side elevation view of FIG. 1.

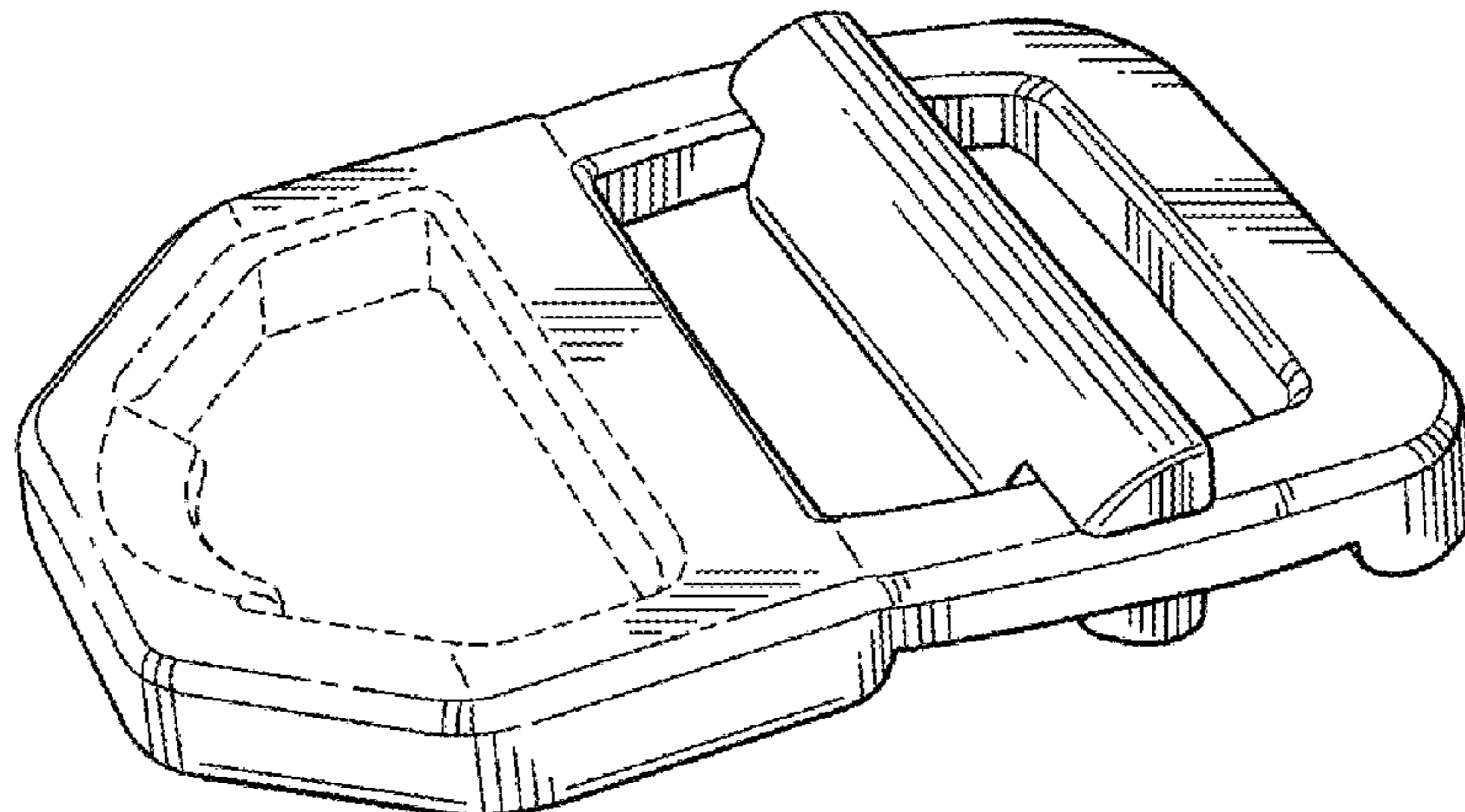
FIG. 3 is a left side elevation view of FIG. 1, the right side
elevation view being a mirror image thereof.

FIG. 4 is a top side plan view of FIG. 1.

FIG. 5 is a bottom side plan view of FIG. 1; and,

FIG. 6 is a front perspective view of FIG. 1.

1 Claim, 1 Drawing Sheet



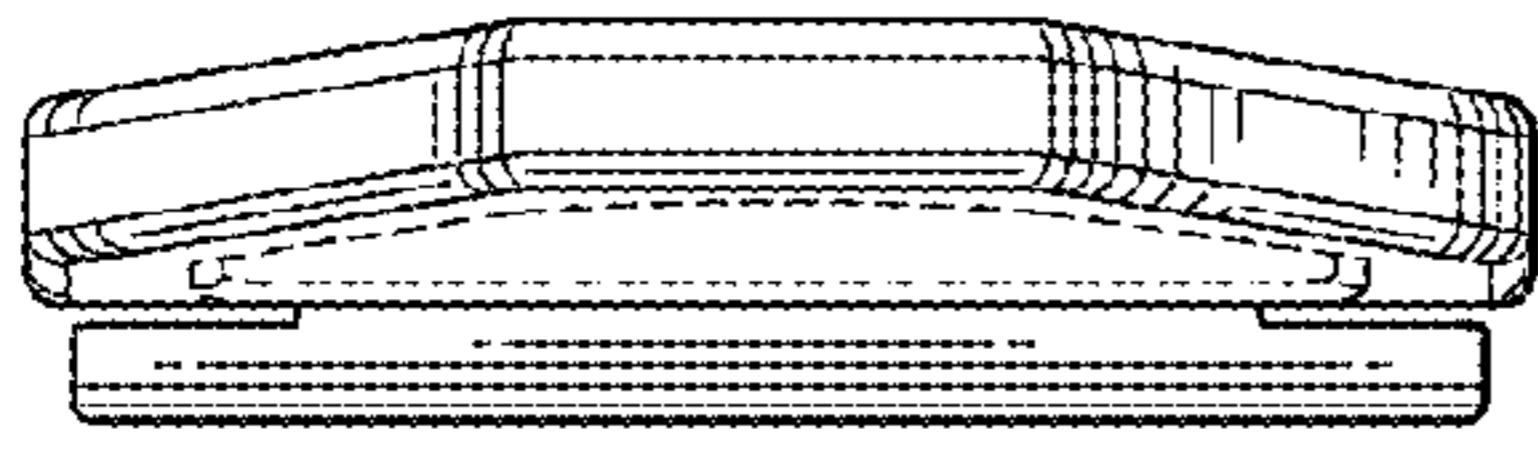


FIG. 4

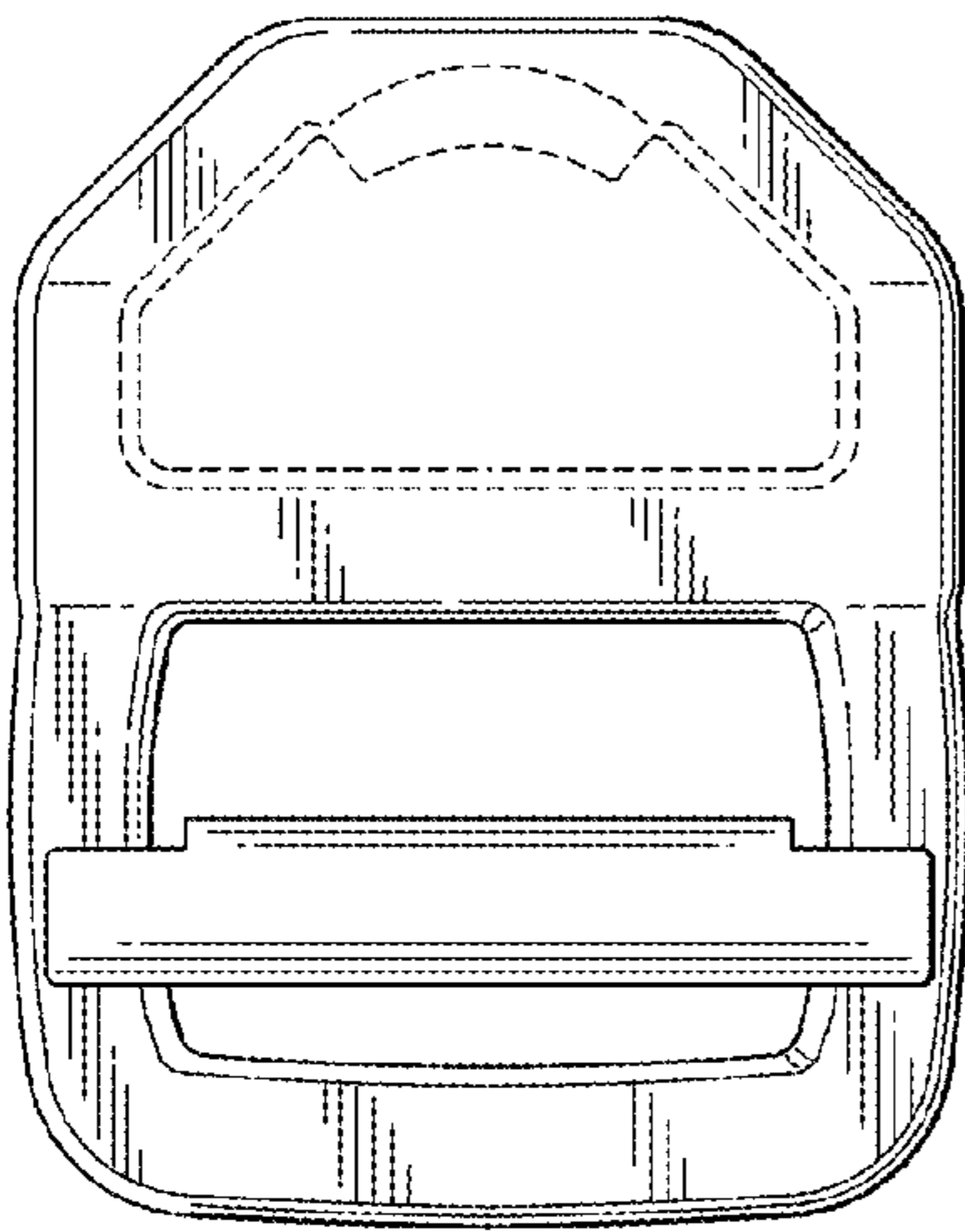


FIG. 1

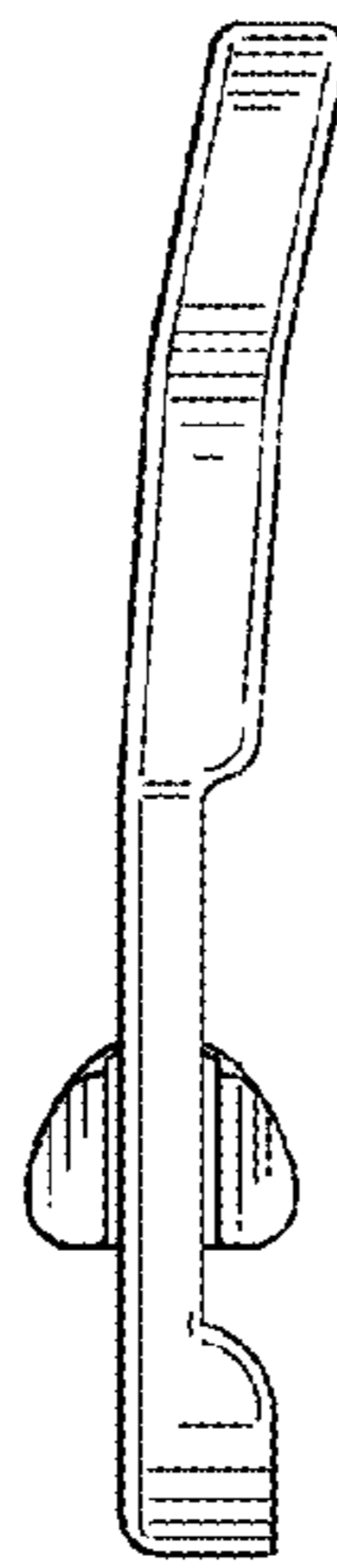


FIG. 3

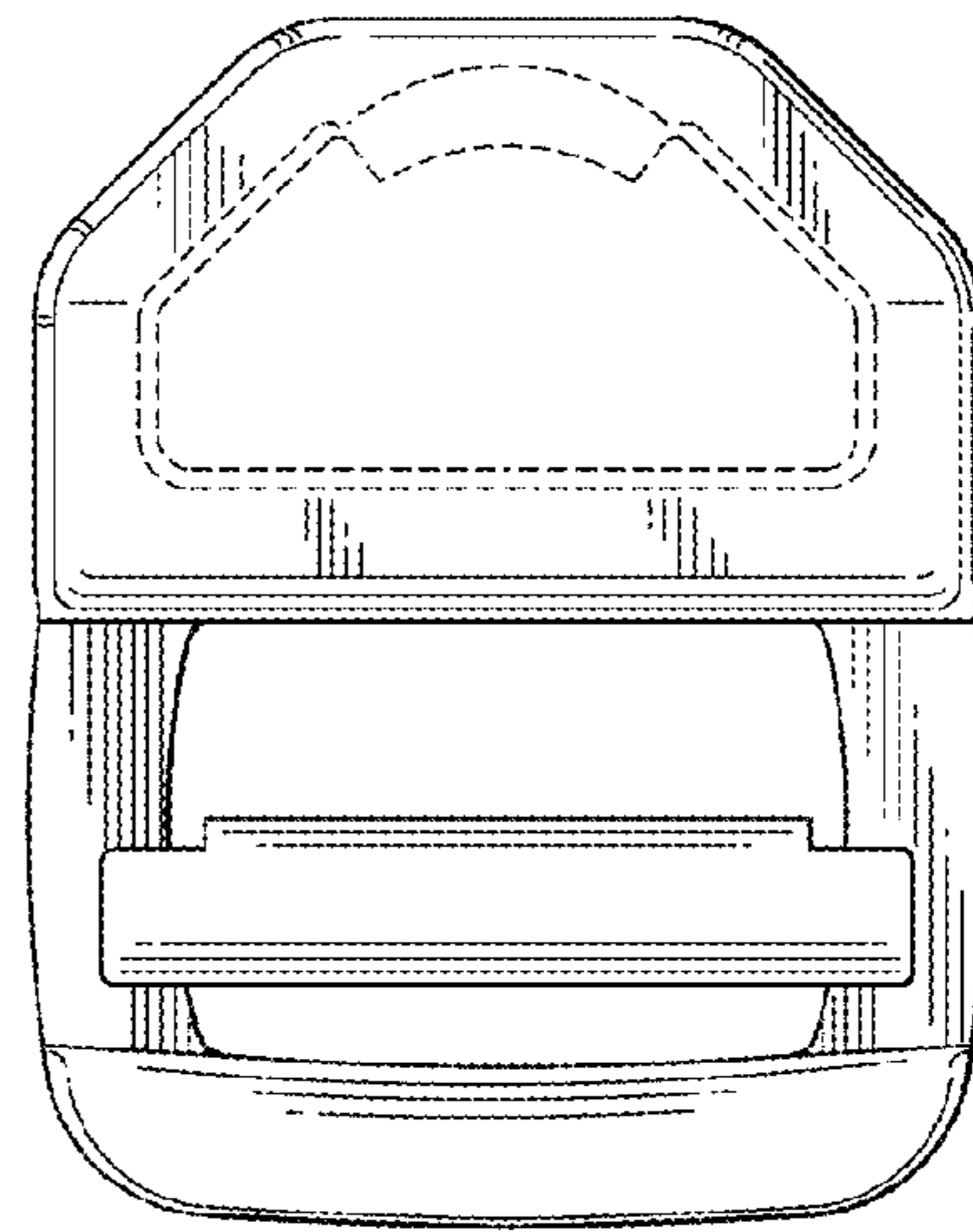


FIG. 2

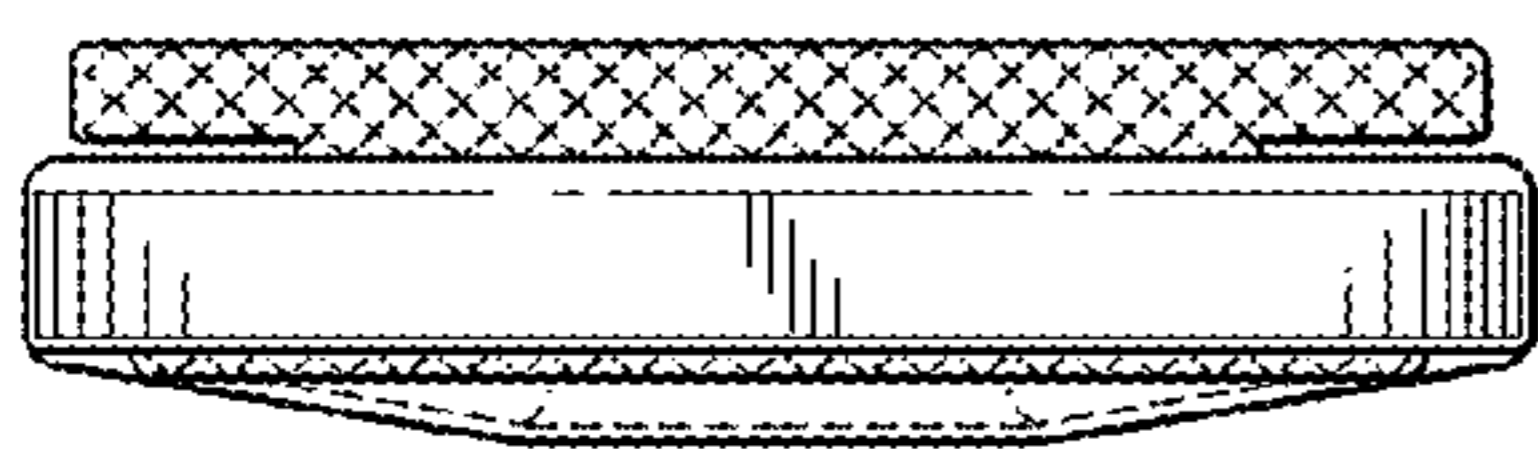


FIG. 5

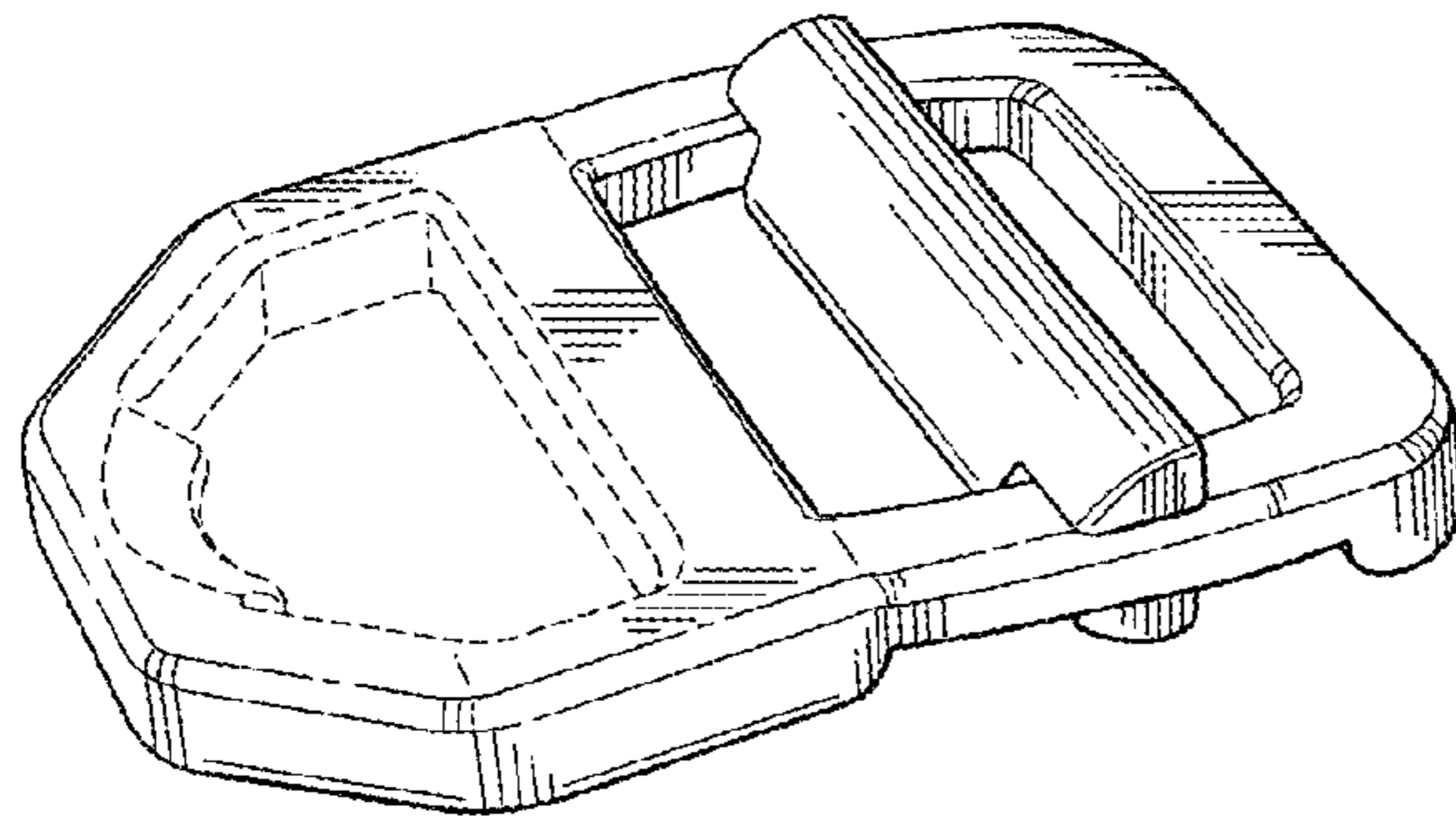


FIG. 6