



US00D714177S

(12) **United States Design Patent**
Graff

(10) **Patent No.:** **US D714,177 S**

(45) **Date of Patent:** **** Sep. 30, 2014**

(54) **WATCH BRACELET**

(71) Applicant: **Graff Diamonds SA**, Geneva (CH)

(72) Inventor: **Laurence Graff**, Gstaad (CH)

(73) Assignee: **Graff Diamonds SA** (CH)

(**) Term: **14 Years**

(21) Appl. No.: **29/440,422**

(22) Filed: **Dec. 21, 2012**

(51) **LOC (10) Cl.** **11-01**

(52) **U.S. Cl.**
USPC **D11/3**

(58) **Field of Classification Search**
USPC D11/1–25, 93, 94, 200; D10/30–37,
D10/122–132; 63/3, 3.1, 3.2, 4, 5.1, 6–9,
63/15, 15.1, 15.2; 368/281–283, 276–278;
224/164–180
See application file for complete search history.

(56) **References Cited**

U.S. PATENT DOCUMENTS

D149,779 S *	5/1948	Schorr	D11/93
D153,747 S *	5/1949	Anderson	D11/93
D165,355 S *	12/1951	Augenstein	D11/21
D168,240 S *	11/1952	Rodriguez	D11/24
D168,594 S *	1/1953	Rodriguez	D11/24
D168,765 S *	2/1953	Rodriguez	D11/24
D286,516 S *	11/1986	Chodat	D11/3
D311,355 S *	10/1990	Cowan	D11/19
D338,849 S *	8/1993	Cowan	D11/19
D339,309 S *	9/1993	Butler	D11/19
D340,004 S *	10/1993	Butler	D11/19
D362,397 S *	9/1995	Helleu	D10/32
D390,477 S *	2/1998	Brzezinski	D10/32
D445,055 S *	7/2001	Subilia	D11/3
6,502,981 B2 *	1/2003	Haida	368/276

D487,704 S *	3/2004	Rousseau	D10/32
D619,487 S *	7/2010	Graff	D11/3
D655,208 S *	3/2012	Jamin	D10/32
D675,940 S *	2/2013	Sasaki	D10/32
D679,213 S *	4/2013	Jamin	D11/3
D688,140 S *	8/2013	Jamin	D10/32
D697,822 S *	1/2014	Duport	D10/32
2013/0091895 A1 *	4/2013	Hwang	63/15.1

OTHER PUBLICATIONS

'7' Beveled Bezel Ceramic Bracelet Watch, Nordstrom.com, online catalog. Site visited Mar. 18, 2014. Internet URL: "http://shop.nordstrom.com/s/karl-lagerfeld-7-beveled-bezel-ceramic-bracelet-watch-44mm/3701018?origin=keywordsearch-personalizedsort&contextualcategoryid=0&fashionColor=&resultback=192&cm_sp=personalizedsort_-_searchresults_-_undef...?>.*"

(Continued)

Primary Examiner — Garth Rademaker
Assistant Examiner — Llorellys Martinez-Rivera
(74) *Attorney, Agent, or Firm* — Galbreath Law Offices, P.C.; John A. Galbreath

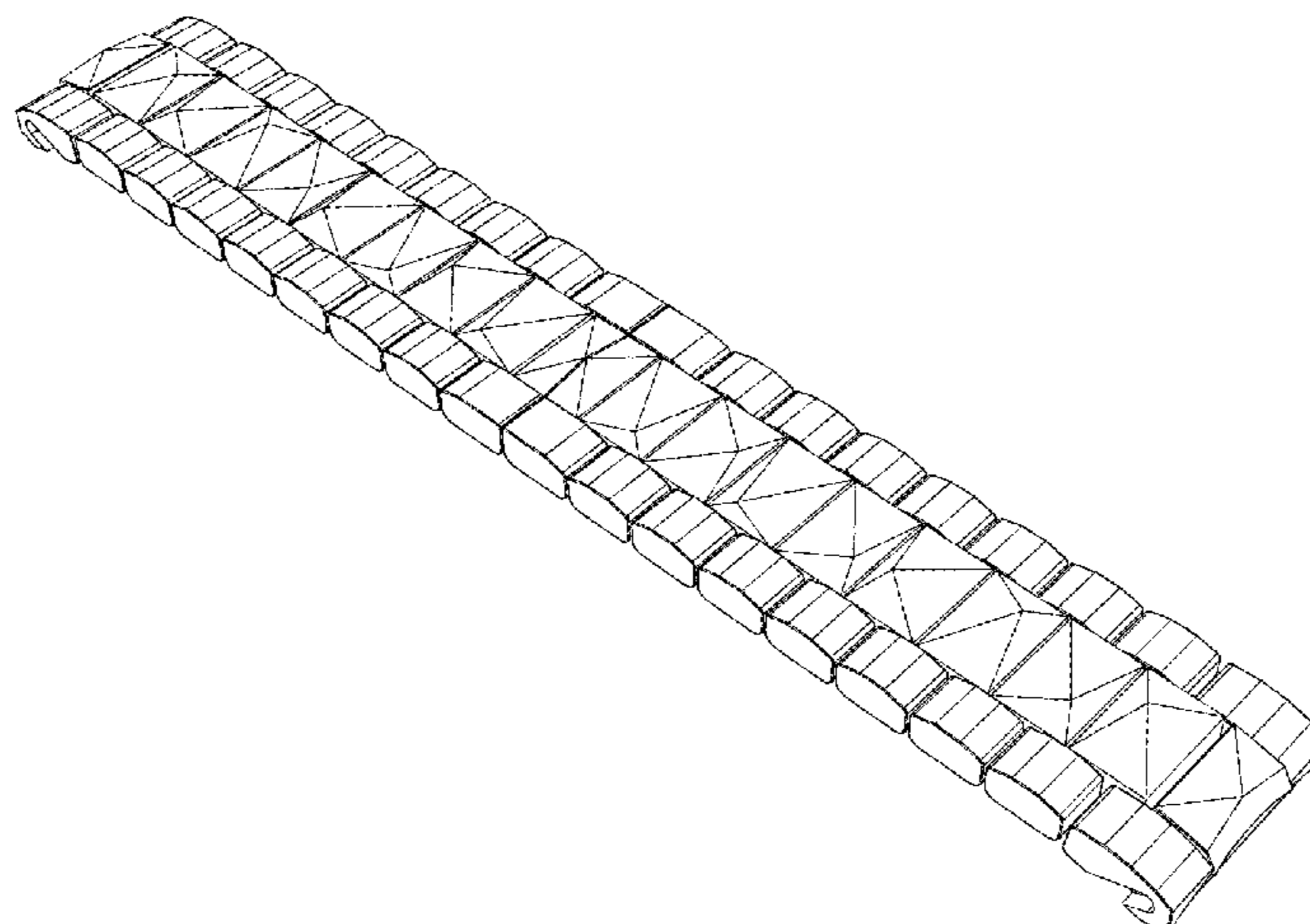
(57) **CLAIM**

The ornamental design for a watch bracelet, as shown and described.

DESCRIPTION

FIG. 1 is a front view of a watch bracelet of the present invention.
FIG. 2 is a rear view of the watch bracelet of FIG. 1
FIG. 3 is a right-side view of the watch bracelet of FIG. 1
FIG. 4 is a left-side view of the watch bracelet of FIG. 1
FIG. 5 is a top view of the watch bracelet of FIG. 1; and,
FIG. 6 is a top, left-side, perspective view of the watch bracelet of FIG. 1.

1 Claim, 1 Drawing Sheet



(56)

References Cited

OTHER PUBLICATIONS

Genuine Zenith Defy Stainless Steel Watch Bracelet, Ebay.com listing, online. First revision on Mar. 13, 2014. Site visited Mar. 19, 2014. Internet URL: “http://www.ebay.com/itm/Genuine-Zenith-Defy-Stainless-Steel-Watch-Bracelet-21mm-Mens-New-/161248448215?pt=US_Watch_Bands

&hash=item258b280ed7#ht_2759wt_878”>.*

Karl Lagerfeld ‘Perspektive’ Pyramid Bracelet Watch, 27mm × 20mm, Amazon.com listing, online. Site visited Mar. 19, 2014. Internet URL: “<http://www.amazon.com/LAGERFELD-Perspektive-Pyramid-Bracelet-Watch/dp/B00EPQBW2K>”>.*

Michele ‘Deco’ 18mm Ceramic & Stainless Steel Watch Bracelet, Nordstrom.com, online. First reviewed on Mar. 19, 2014. Internet URL: “<http://shop.nordstrom.com/S/michele-deco-18mm-ceramic-stainless-steel-watch-bracelet/3638176?origin=keywordsearch>”>.*

Michele ‘Serein’ 16mm Watch Bracelet, Nordstrom.com, online. Site visited Mar. 19, 2014. Internet URL: <“<http://shop.nordstrom.com/s/michele-serein-16mm-watch-bracelet/3499213?origin=keywordsearch>”>.*

Brera Stella 22mm Rose Gold Watch Bracelet, Nordstrom.com, online. Site visited Mar. 19, 2014. Internet URL: <“http://shop.nordstrom.com/s/brera-stella-22mm-rose-gold-watch-bracelet/3418187?cm_cat=datafeed&cm_ite=brera_‘stella’_22mm_rose_gold_watch_bracelet:636638&cm_pla=jewelry:women:watch&cm_ven=Google_Product_Ads&mr:referralID=90afcae7-af72-11..”>.*

Gucci U-Play Mesh Bezel & Watch Bracelet, Nordstrom.com, online. Site visited Mar. 19, 2014. Internet URL: <“http://shop.nordstrom.com/S/gucci-u-play-mesh-bezel-watch-bracelet/3434866?origin=related-3434866-0-3-2-4-DL_also_viewed&PageCategoryId=PP”>.*

* cited by examiner

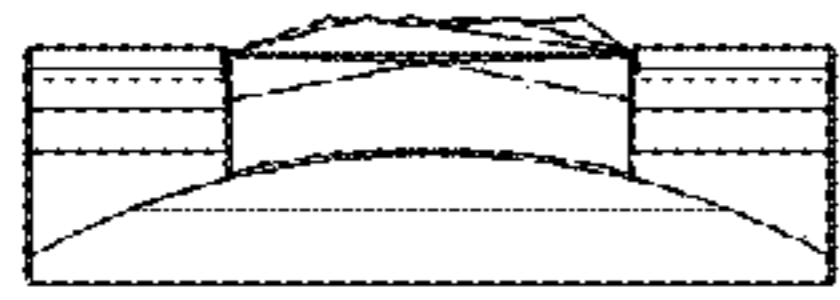


FIG. 1

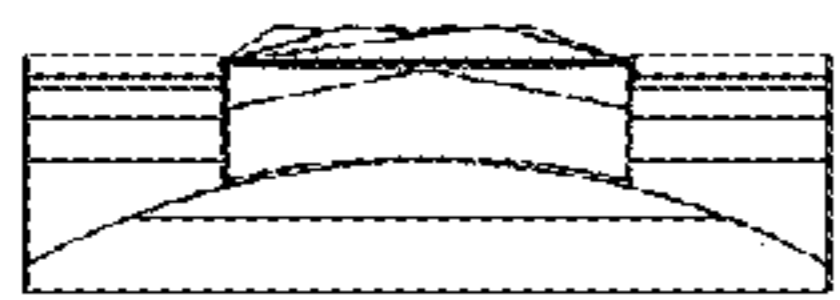


FIG. 2

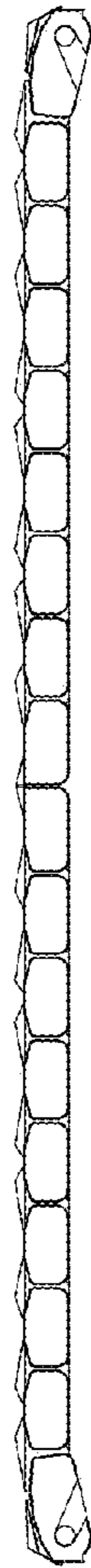


FIG. 3

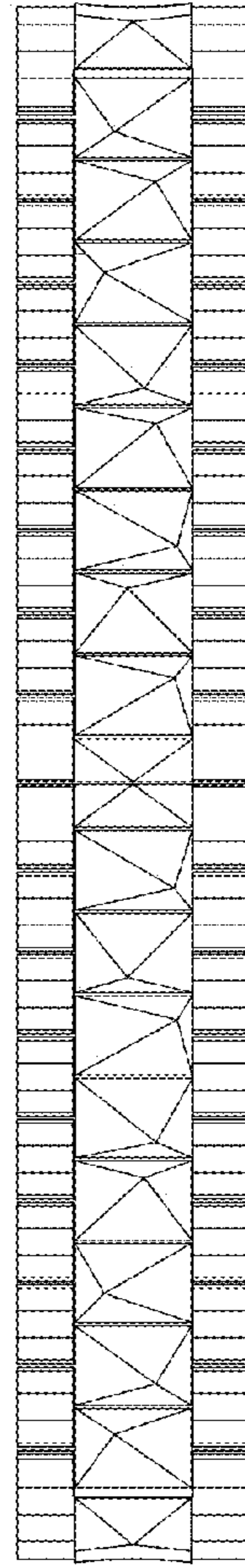


FIG. 5



FIG. 4

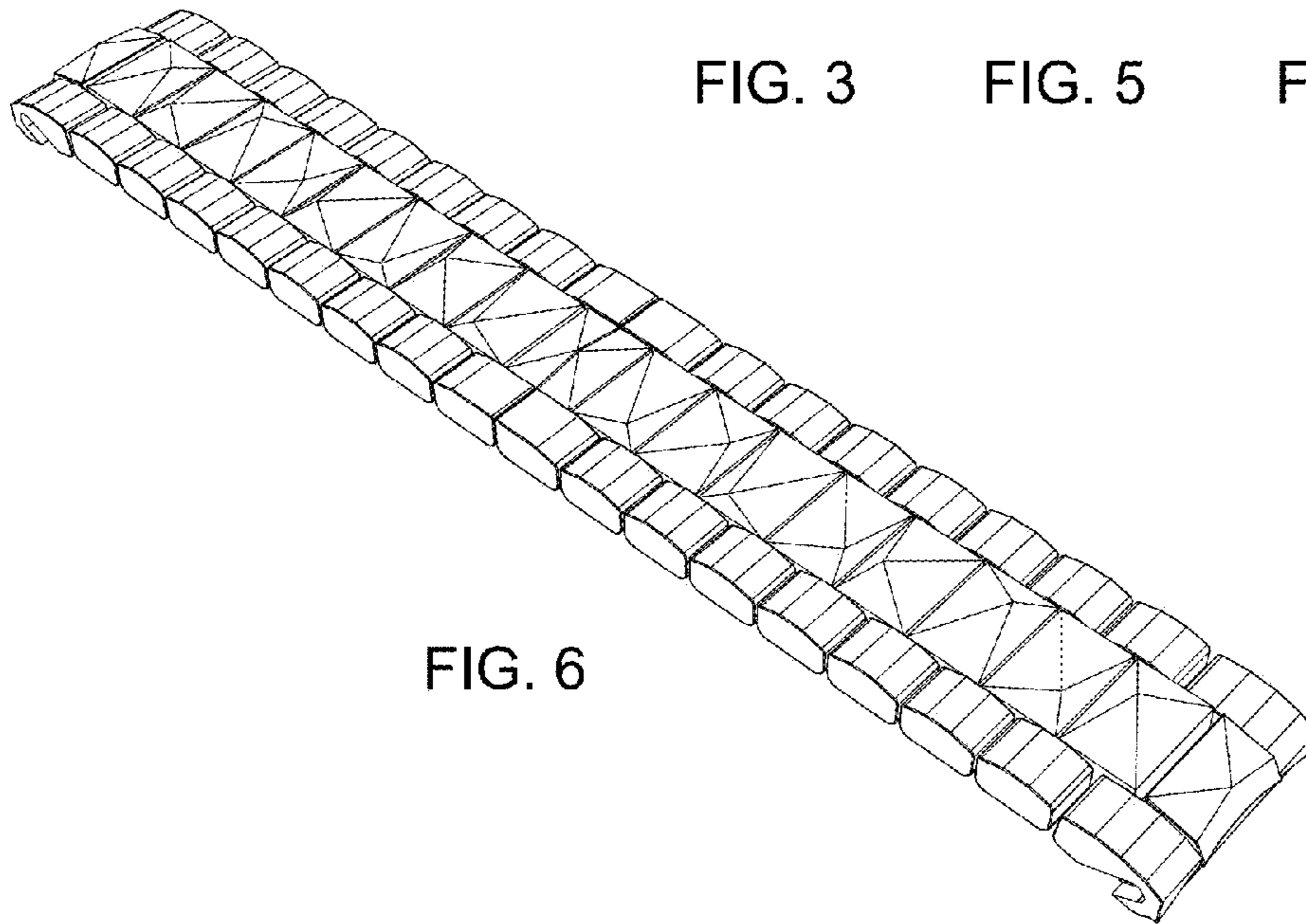


FIG. 6