



US00D714171S

(12) **United States Design Patent**
Hoofnagle et al.

(10) **Patent No.:** **US D714,171 S**

(45) **Date of Patent:** **** Sep. 30, 2014**

(54) **PORTABLE NETWORK TESTER**

(71) Applicant: **Fluke Corporation**, Everett, WA (US)

(72) Inventors: **Wayne Scott Hoofnagle**, Redmond, WA (US); **Tracy J. Kearsley**, Stanwood, WA (US)

(73) Assignee: **Fluke Corporation**, Everett, WA (US)

(**) Term: **14 Years**

(21) Appl. No.: **29/451,805**

(22) Filed: **Apr. 9, 2013**

(51) **LOC (10) Cl.** **10-04**

(52) **U.S. Cl.**
USPC **D10/78**

(58) **Field of Classification Search**

CPC H04L 43/50; H04L 12/2697; G06F 11/08;
G06F 11/22; G06F 1/2273; G06F 11/276;
G06F 11/277; G06F 11/2294
USPC D10/78; 324/72, 110, 114, 149, 151 A,
324/151 R, 15, 158 F, 500, 53; 340/653,
340/660; 439/482; 370/242, 248, 249, 443,
370/216, 252; 375/224, 225; 379/1.04,
379/15.03, 22-22.04

See application file for complete search history.

(56) **References Cited**

U.S. PATENT DOCUMENTS

D600,575 S * 9/2009 Janky D10/78

* cited by examiner

Primary Examiner — Antoine D Davis

(74) *Attorney, Agent, or Firm* — Edwards Wildman Palmer LLP; Christopher J. Capelli; Adam P. Daniels

(57) **CLAIM**

The ornamental design for a portable network tester, as shown and described.

DESCRIPTION

FIG. 1 is a perspective view of an embodiment of the portable network tester of the subject invention;

FIG. 2 is a top plan view of the portable network tester shown in FIG. 1;

FIG. 3 is a bottom plan view of the portable network tester shown in FIG. 1;

FIG. 4 is a left side elevation view of the portable network tester shown in FIG. 1;

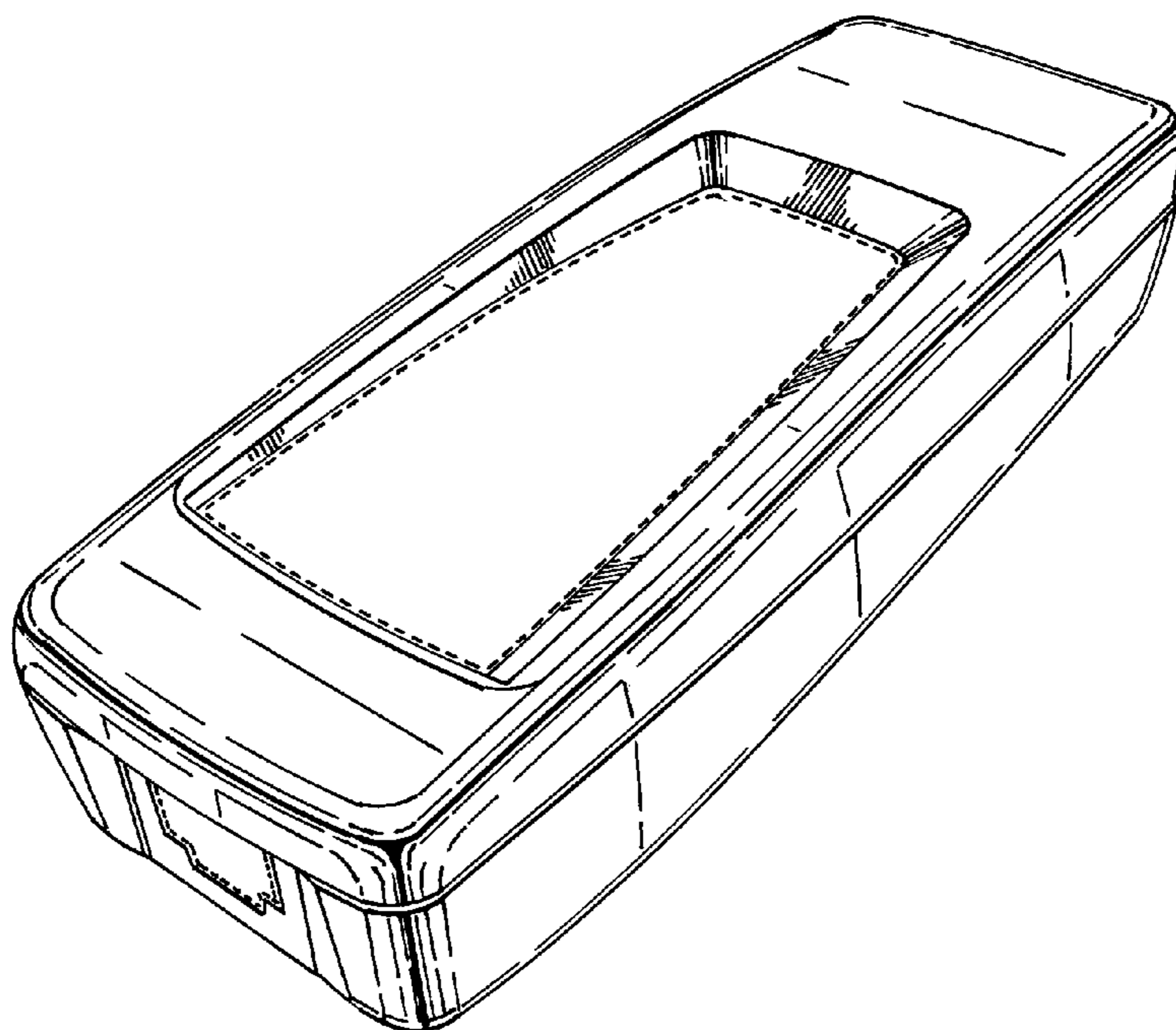
FIG. 5 is a right side elevation view of the portable network tester shown in FIG. 1;

FIG. 6 is a front elevation view of the portable network tester shown in FIG. 1; and,

FIG. 7 is a rear elevation view of the portable network tester shown in FIG. 1.

The broken lines showing are for illustrative purposes only and do not form part of the claimed design.

1 Claim, 6 Drawing Sheets



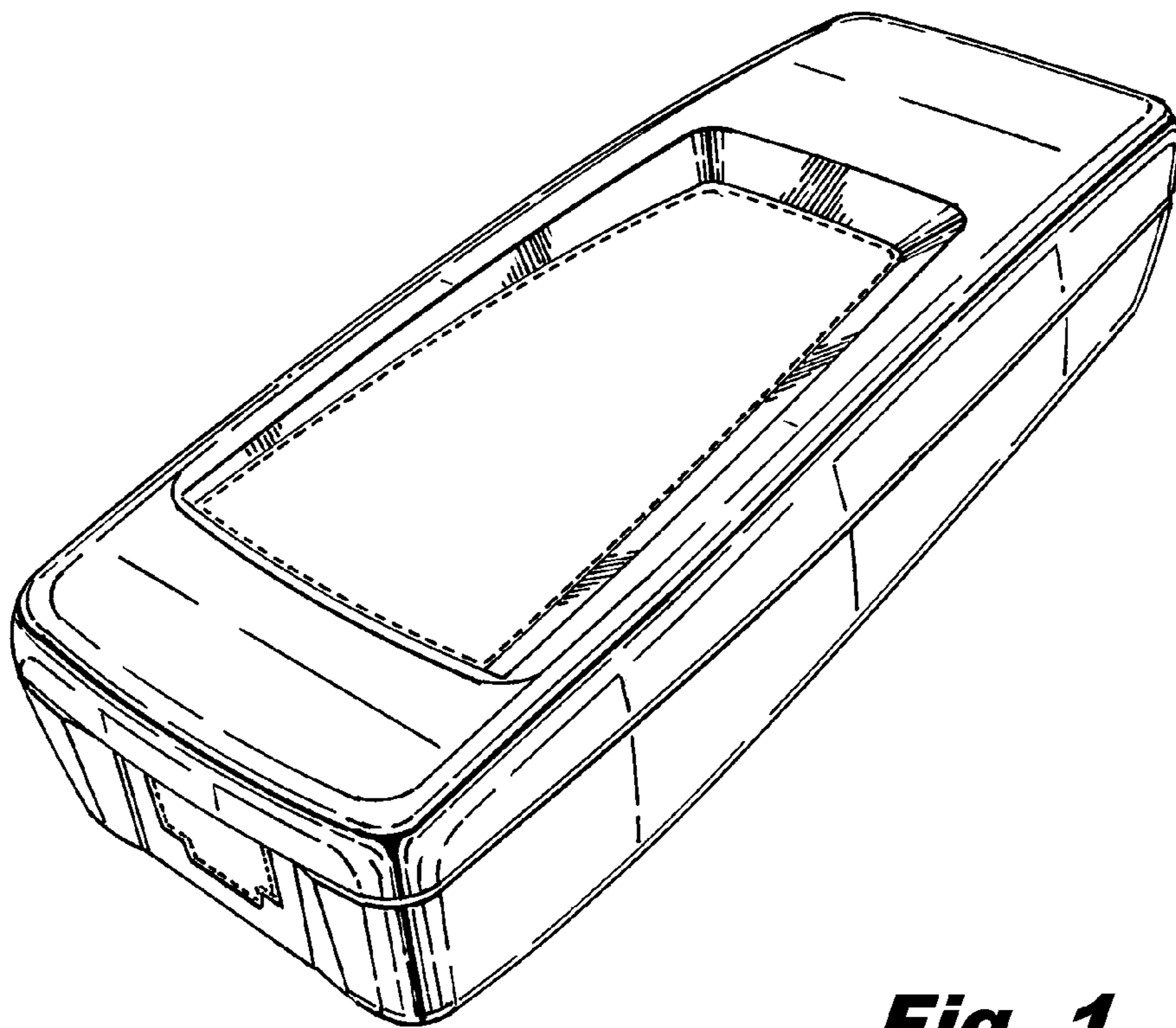


Fig. 1

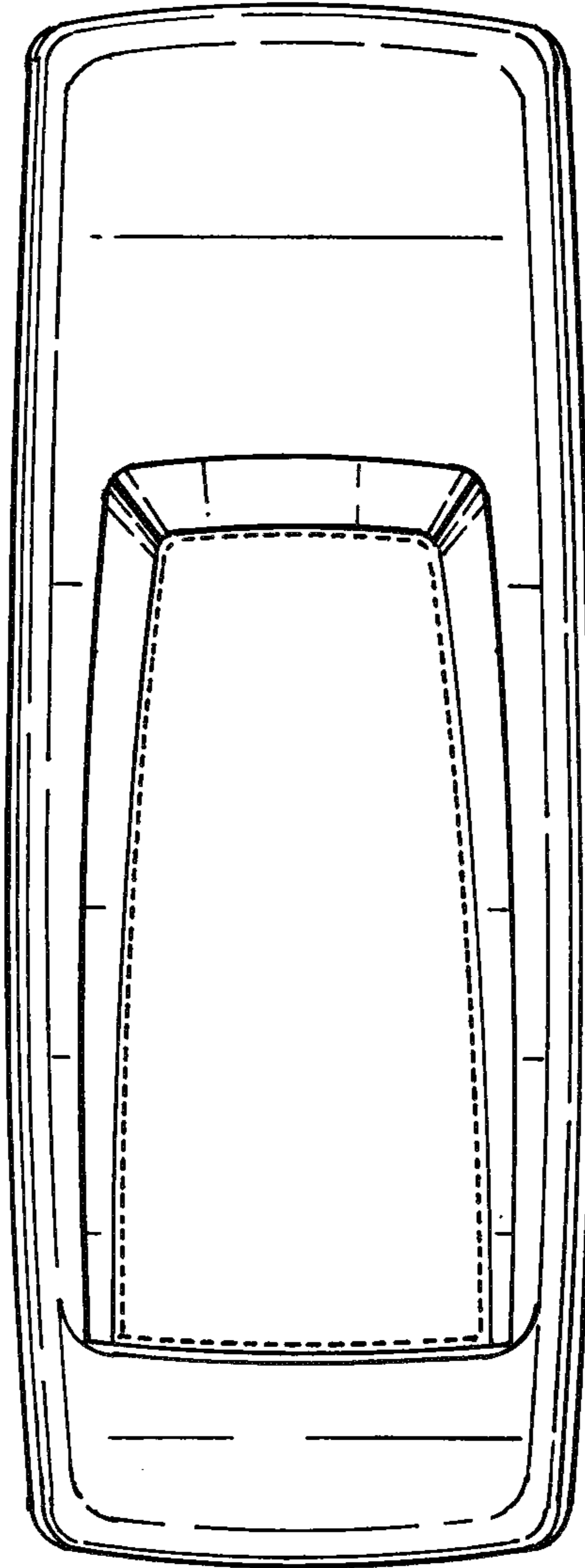


Fig. 2

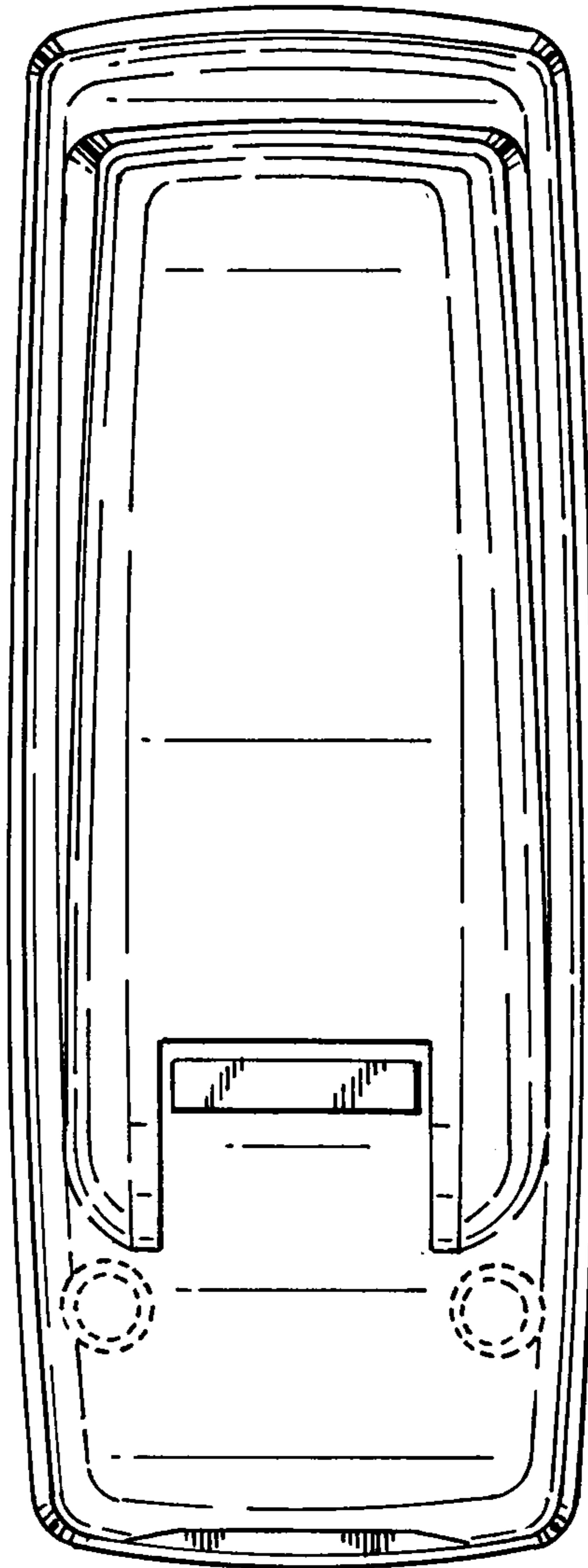


Fig. 3

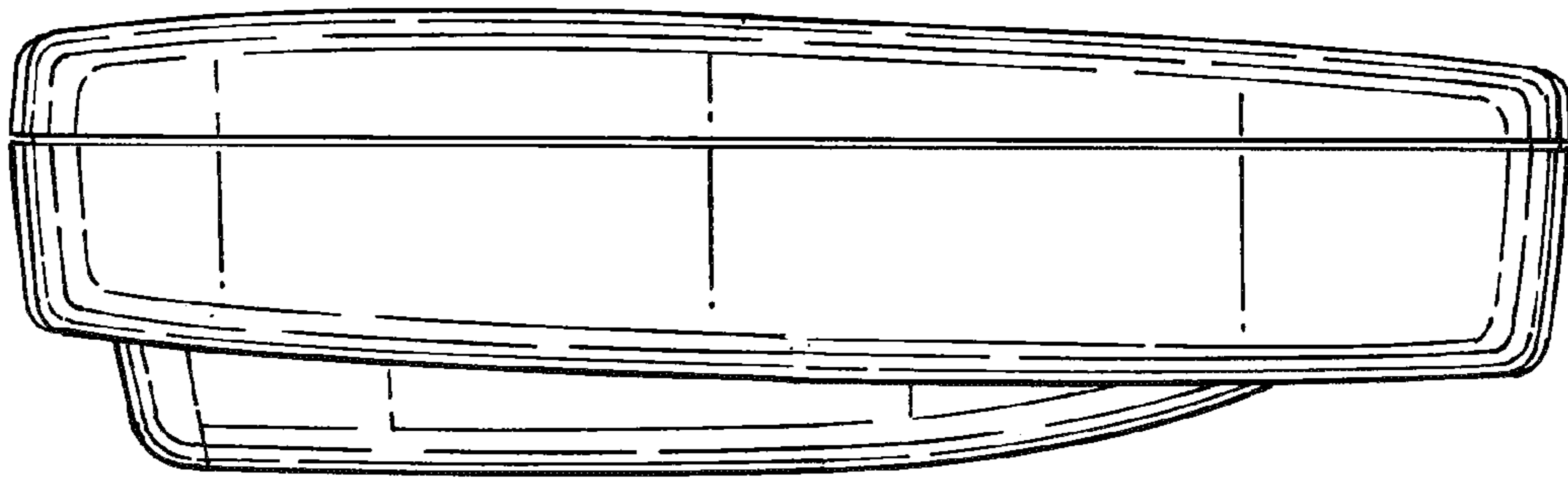


Fig. 4

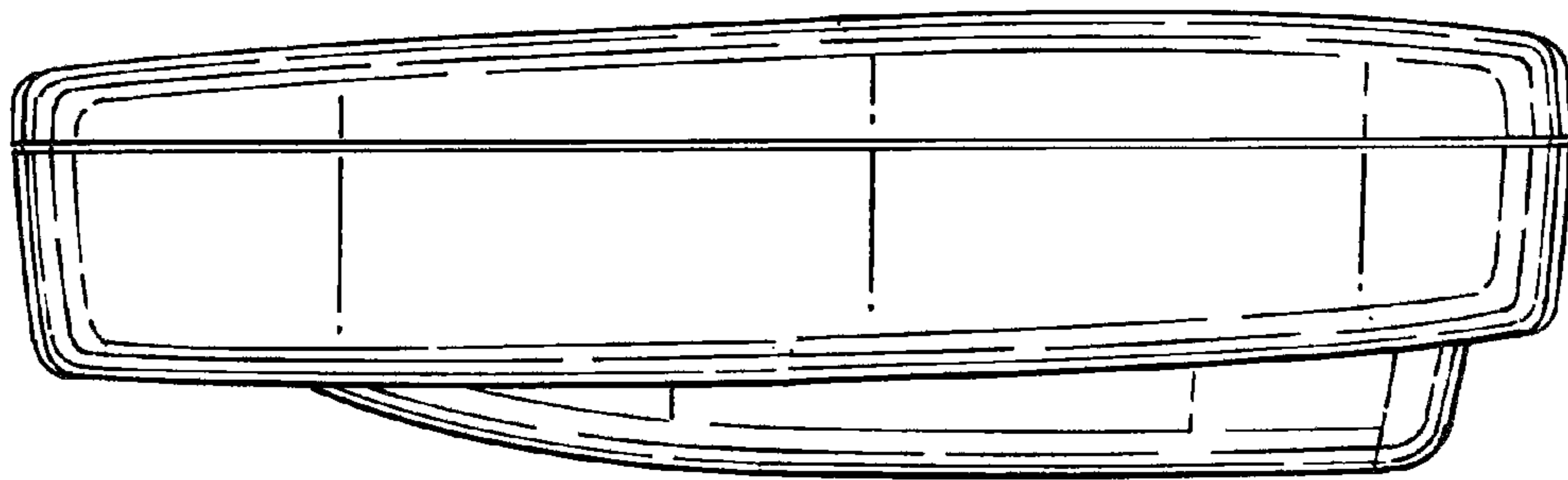


Fig. 5

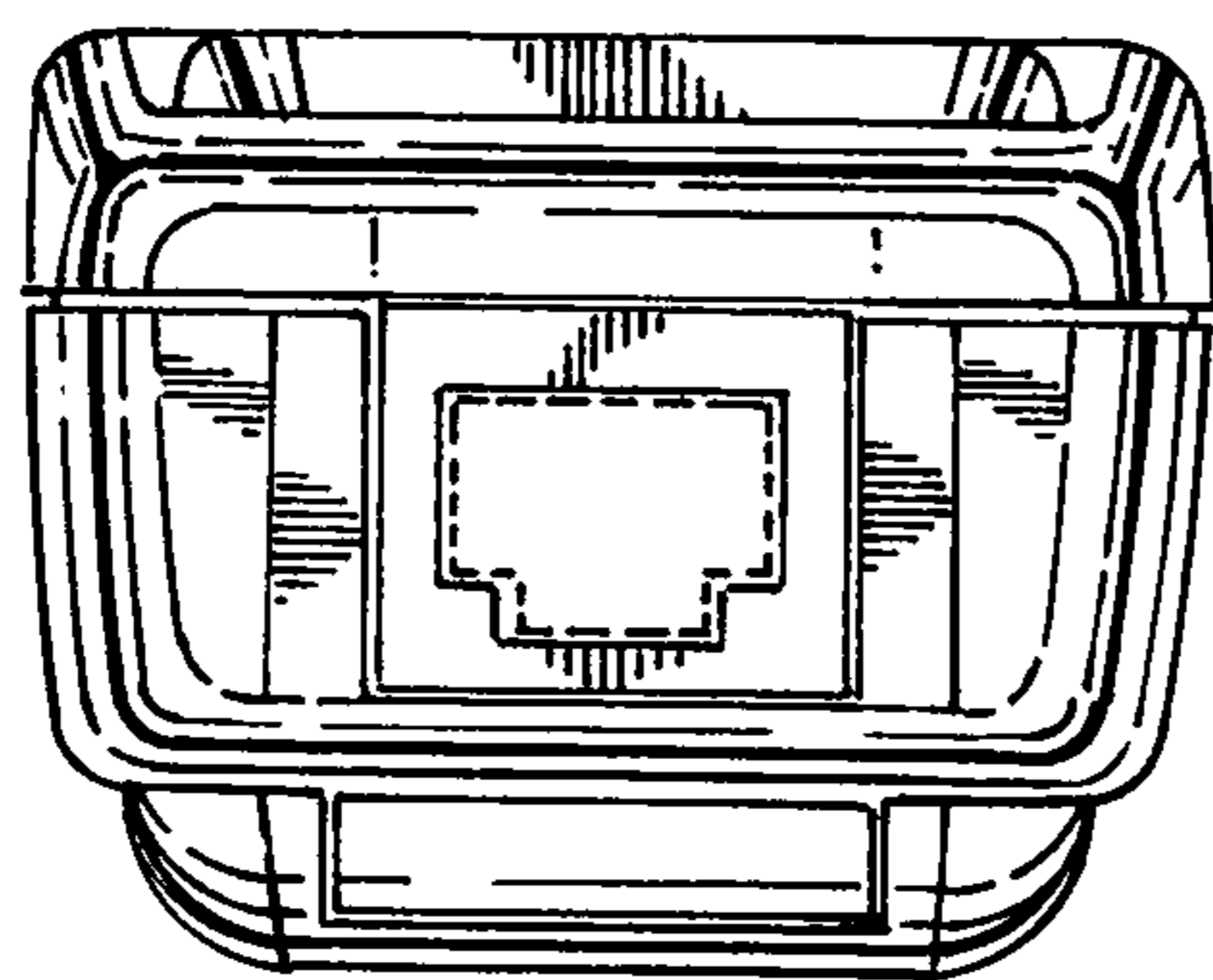


Fig. 6

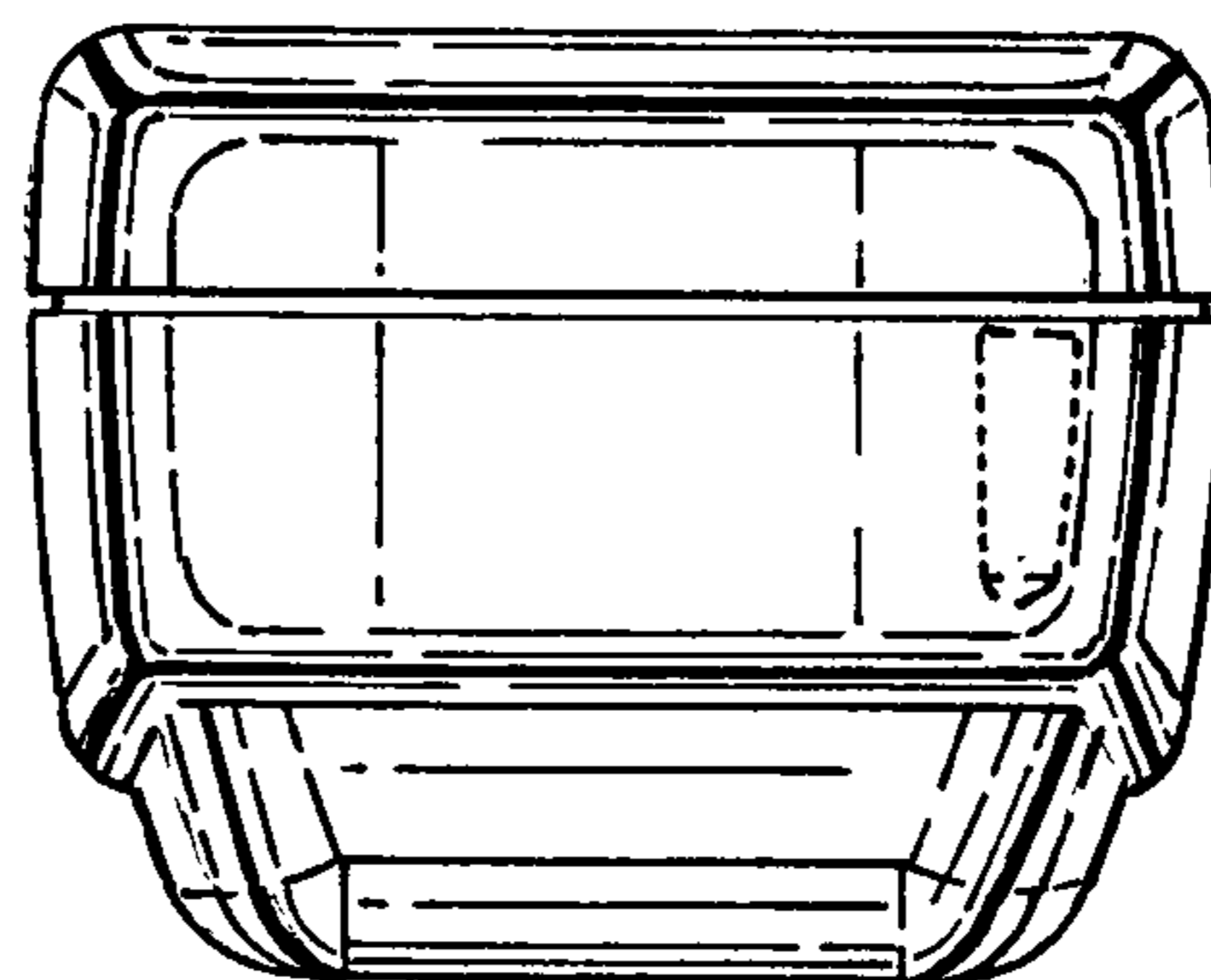


Fig. 7