



US00D714168S

(12) **United States Design Patent**
Verdi et al.

(10) **Patent No.:** **US D714,168 S**

(45) **Date of Patent:** **** Sep. 30, 2014**

(54) **MEASURING MACHINE**

(71) Applicant: **Hexagon Metrology S.p.A.**, Moncalieri (IT)

(72) Inventors: **Michele Verdi**, Rivoli (IT); **Domenico Russo**, Moncalieri (IT)

(73) Assignee: **Hexagon Metrology S.p.A.**, Moncalieri (IT)

(**) Term: **14 Years**

(21) Appl. No.: **29/475,071**

(22) Filed: **Nov. 27, 2013**

(51) **LOC (10) Cl.** **10-04**

(52) **U.S. Cl.**
USPC **D10/63**

(58) **Field of Classification Search**

CPC .. G01B 21/047; G01B 21/042; G01B 21/145;
G01B 5/012; G01B 5/008; G01B 11/03;
G05B 19/00; G05B 19/407; G05B
2219/36452; G05B 2219/36479; G05B
2219/37193; G05B 2219/3744
USPC D10/46, 63, 74; 33/359, 360, 501.02,
33/501.03, 503, 551, 556, 559, 572,
33/601-640, 702, 704, 710, 832, DIG. 3;
702/95, 108

See application file for complete search history.

(56) **References Cited**

U.S. PATENT DOCUMENTS

D327,854 S * 7/1992 Bennett D10/74
D472,170 S * 3/2003 Reymond D10/74
D659,575 S * 5/2012 Matsumiya et al. D10/74

* cited by examiner

Primary Examiner — Antoine D Davis

(74) *Attorney, Agent, or Firm* — Maschoff Brennan

(57) **CLAIM**

The ornamental design for a measuring machine, as shown and described.

DESCRIPTION

FIG. 1.1 is a perspective view of the measuring machine;
FIG. 1.2 is a rear view thereof;
FIG. 1.3 is a first lateral view thereof;
FIG. 1.4 is a front view thereof;
FIG. 1.5 is a second lateral view thereof; and,
FIG. 1.6 is a plan view thereof.
The broken lines shown in the figures are for illustrative purposes only and form no part of the claimed design.

1 Claim, 6 Drawing Sheets

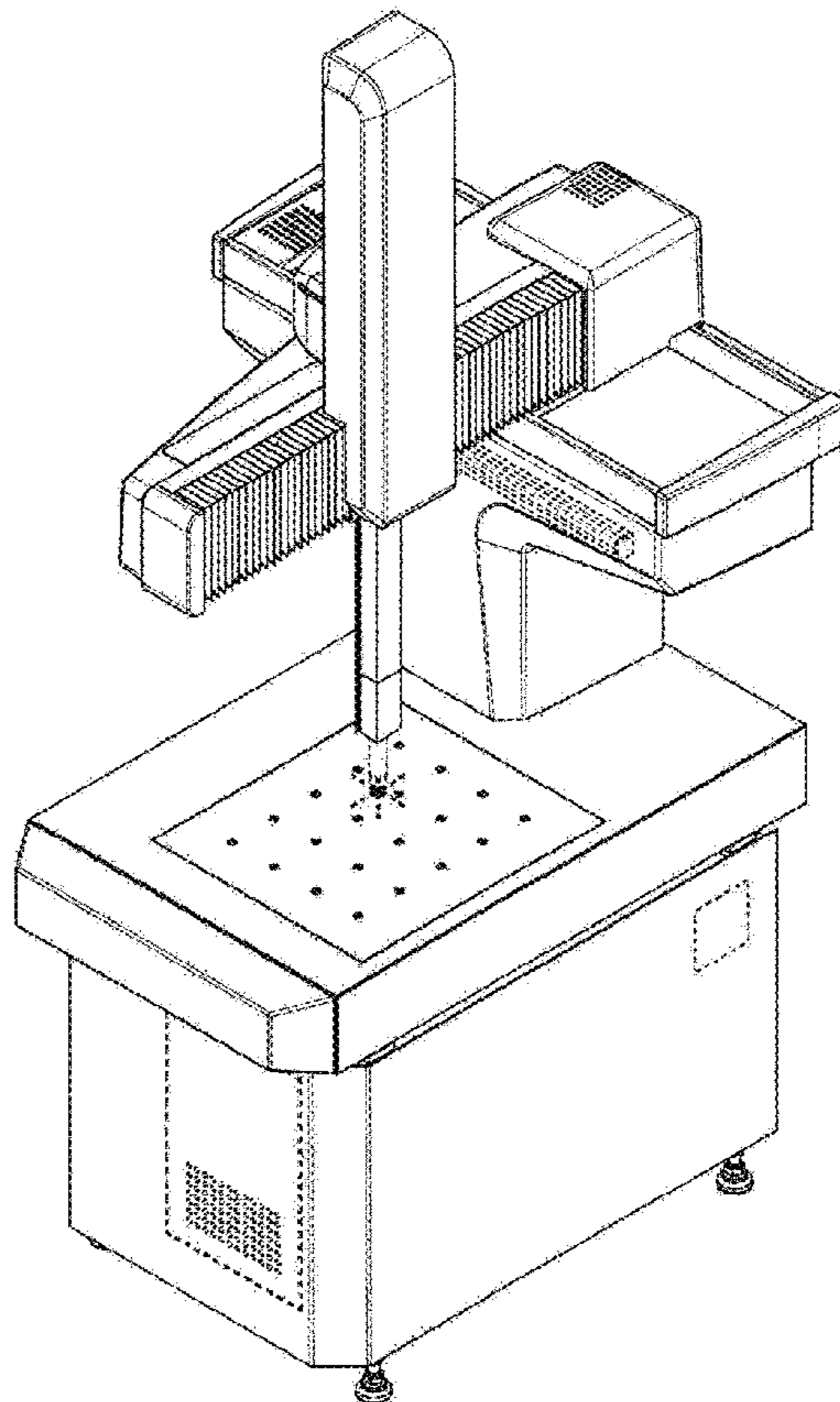


FIG. 1.1

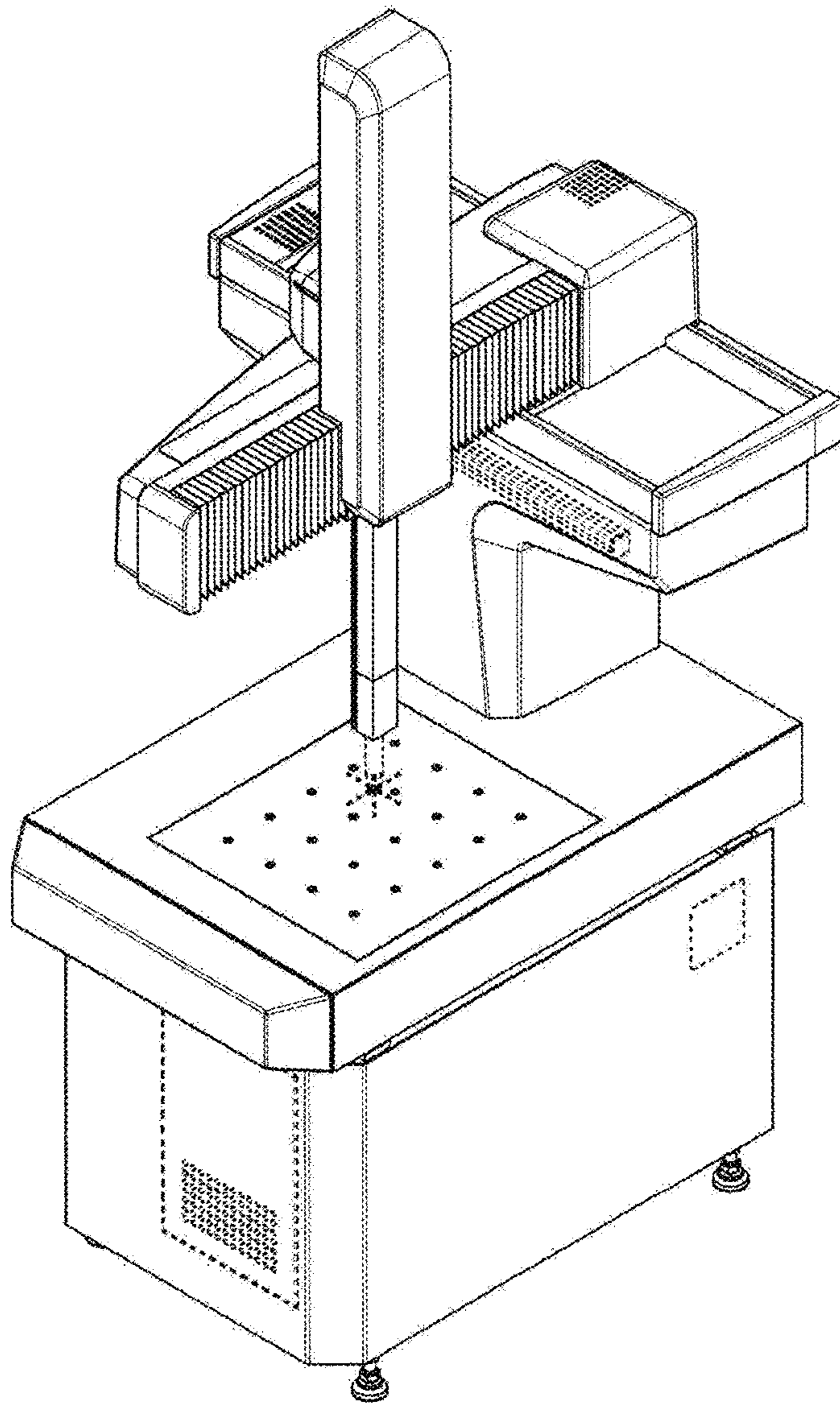


FIG. 1.2

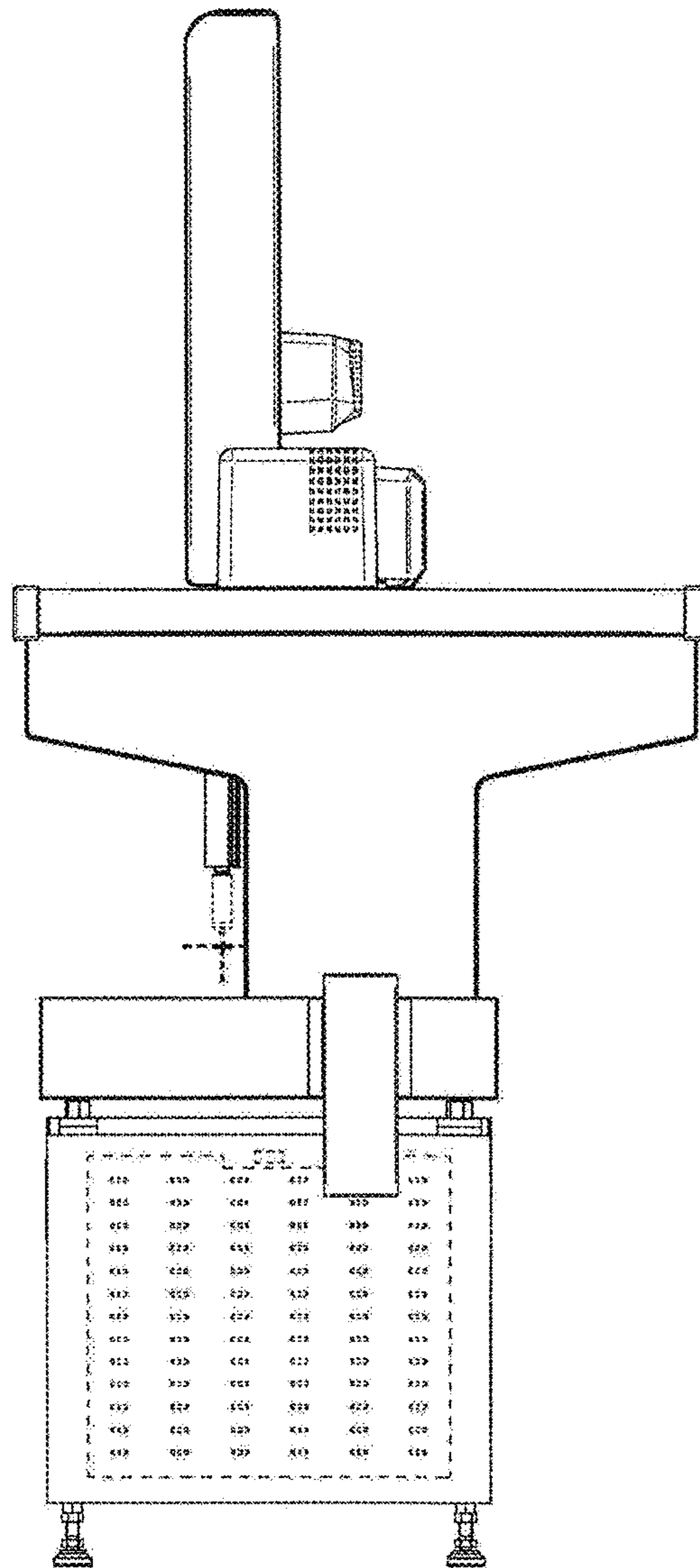


FIG. 1.3

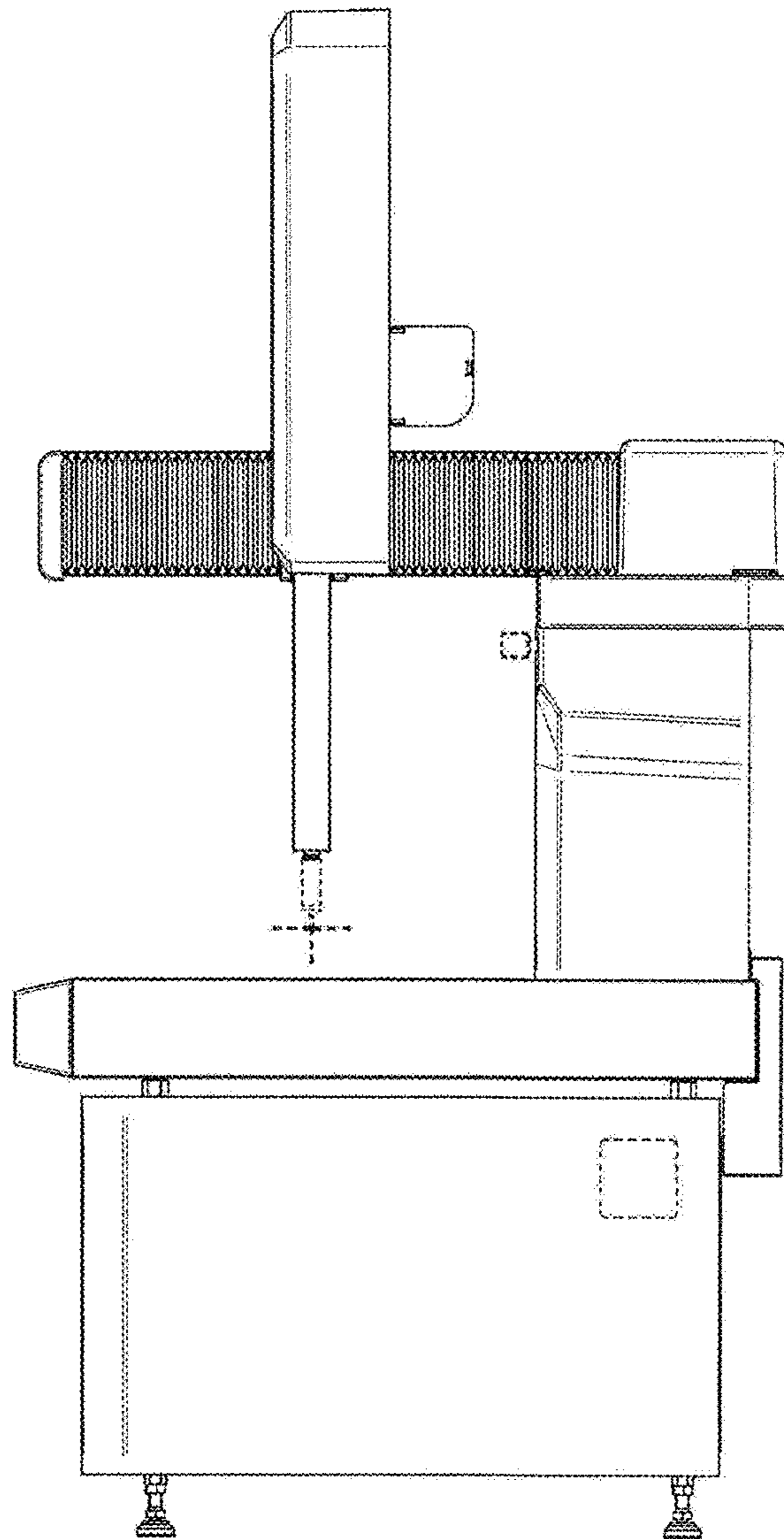


FIG. 1.4

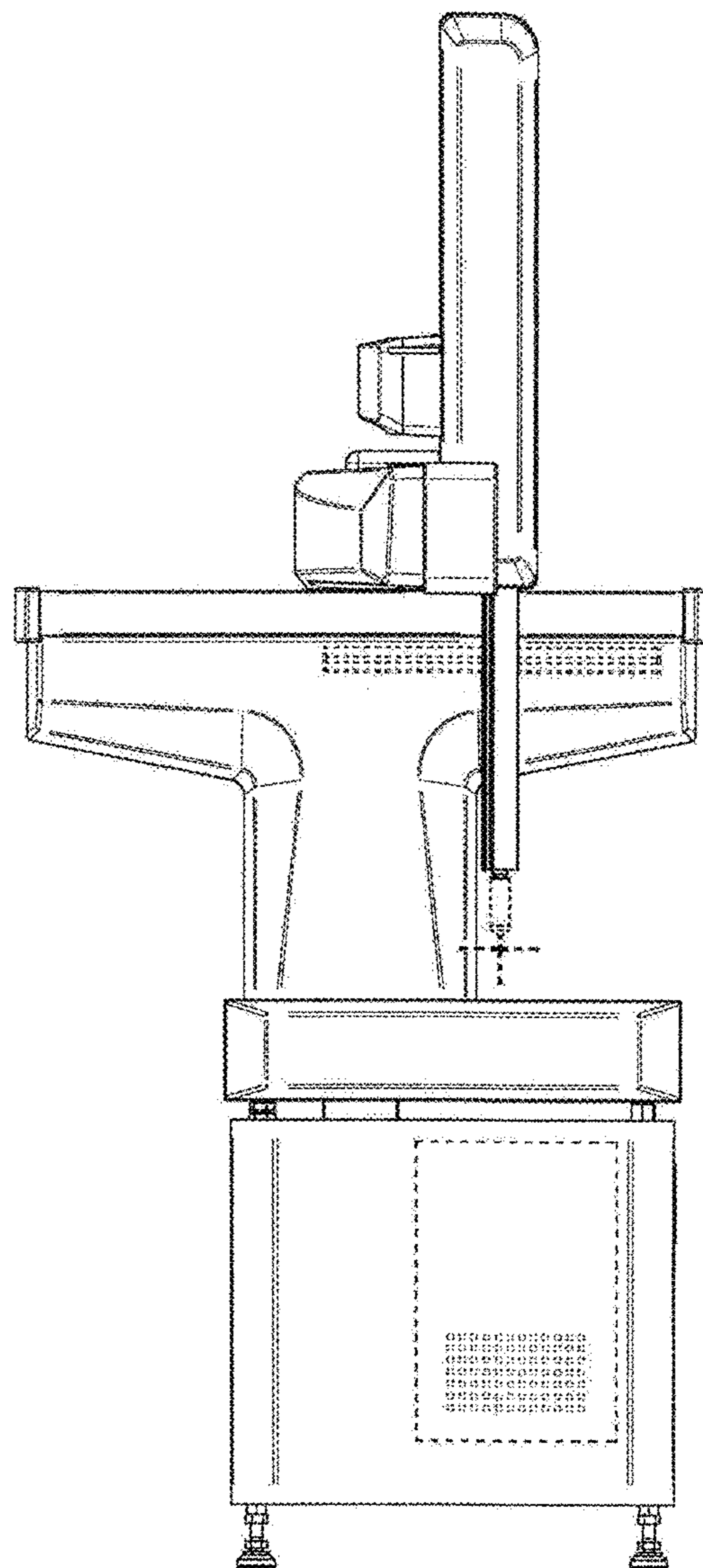


FIG. 1.5

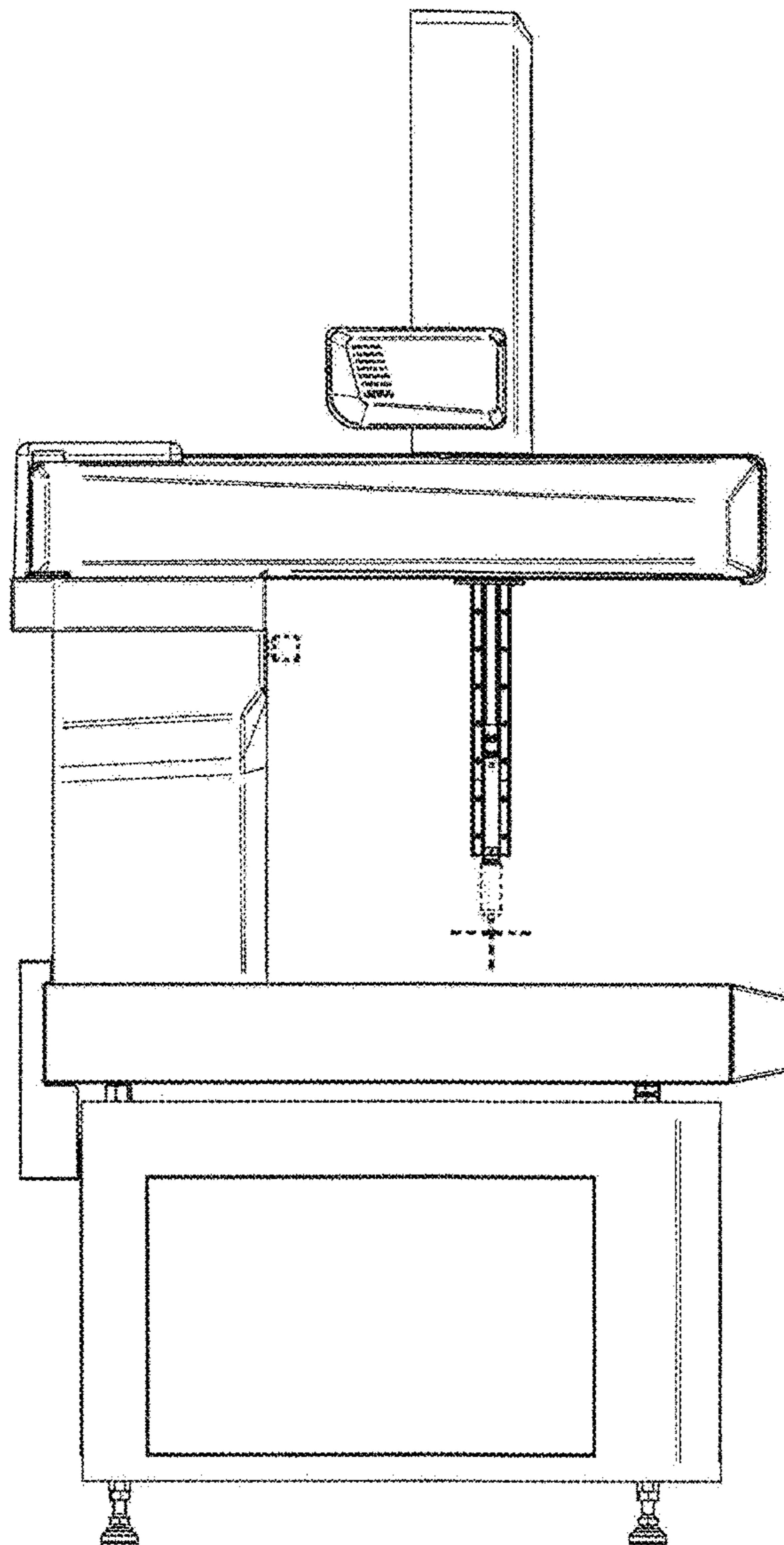
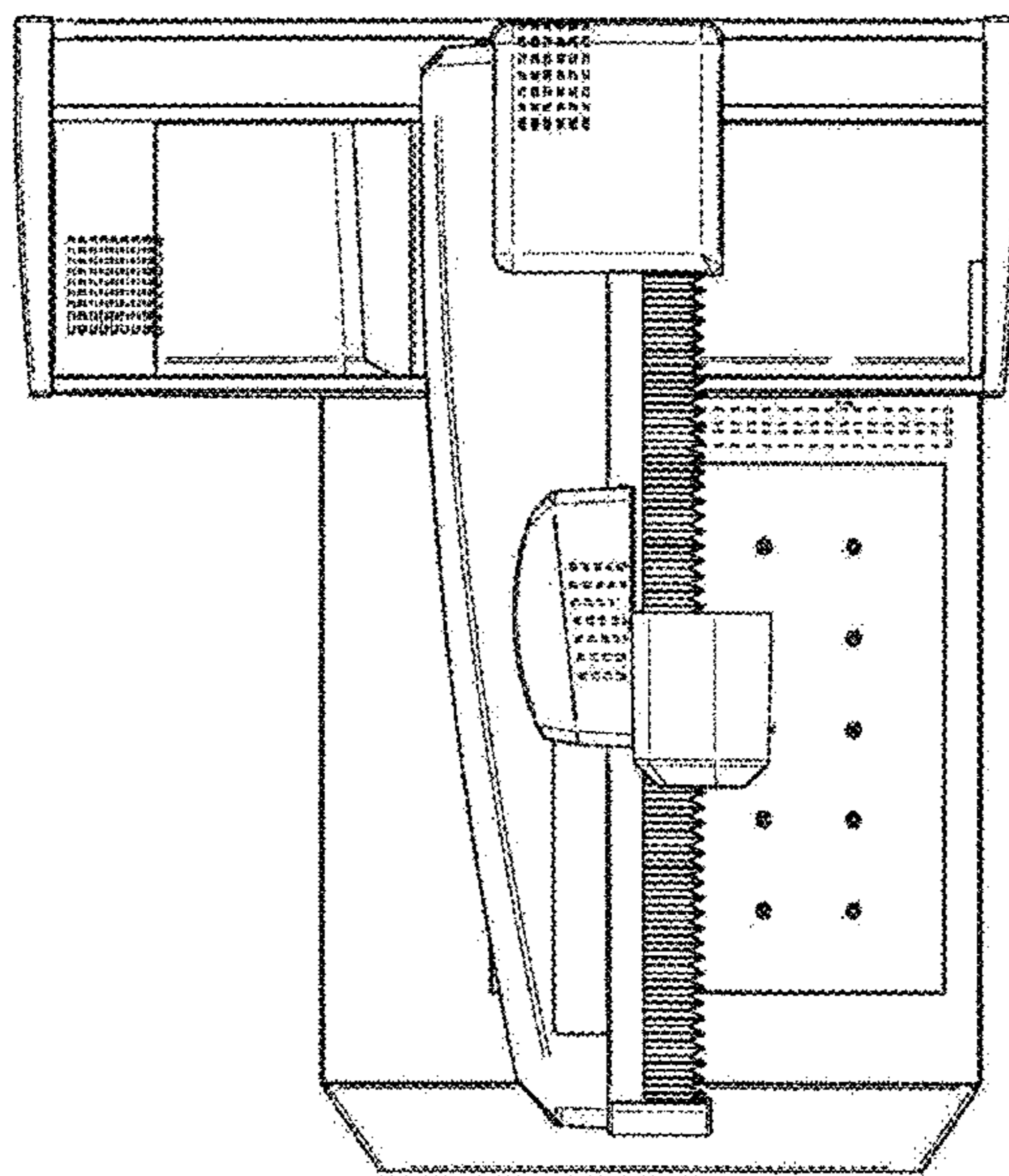


FIG. 1.6



UNITED STATES PATENT AND TRADEMARK OFFICE
CERTIFICATE OF CORRECTION

PATENT NO. : D714,168 S
APPLICATION NO. : 29/475071
DATED : September 30, 2014
INVENTOR(S) : Verdi et al.

Page 1 of 1

It is certified that error appears in the above-identified patent and that said Letters Patent is hereby corrected as shown below:

On the Title Page, in Column 1, after “Filed: **Nov. 27, 2013**”, insert Item -- (30)
Foreign Application Priority Data May 31, 2013 (WO) 741266601 --,
therefor.

Signed and Sealed this
Fifth Day of May, 2015



Michelle K. Lee
Director of the United States Patent and Trademark Office