



US00D714166S

(12) **United States Design Patent**  
**Ando**

(10) **Patent No.:** **US D714,166 S**  
(45) **Date of Patent:** **\*\* Sep. 30, 2014**

(54) **METRONOME**

(71) Applicant: **Seiko Instruments Inc.**, Chiba (JP)

(72) Inventor: **Hitoshi Ando**, Chiba (JP)

(73) Assignee: **Seiko Instruments Inc.** (JP)

(\*\*) Term: **14 Years**

(21) Appl. No.: **29/440,674**

(22) Filed: **Dec. 26, 2012**

(30) **Foreign Application Priority Data**

Jun. 27, 2012 (JP) ..... 2012-015185

(51) **LOC (10) Cl.** ..... **10-03**

(52) **U.S. Cl.**  
USPC ..... **D10/43**

(58) **Field of Classification Search**  
USPC ..... D10/1, 2, 30, 31, 40, 41, 42, 43, 44, 45,  
D10/104.1; D19/65; 368/10, 108, 109, 134,  
368/278; 340/384.1; 84/470 R, 477 R, 484,  
84/611, 612, 636, 730; 24/67.7  
See application file for complete search history.

(56) **References Cited**

**U.S. PATENT DOCUMENTS**

4,437,381 A \* 3/1984 Chen ..... 84/484  
D292,677 S \* 11/1987 Jordi ..... D10/31  
4,705,408 A \* 11/1987 Jordi ..... 368/278

D302,568 S \* 8/1989 Berger ..... D19/65  
D313,759 S \* 1/1991 Nomizu ..... D10/31  
D319,791 S \* 9/1991 Saito ..... D10/43  
D323,469 S \* 1/1992 Saito ..... D10/43  
5,079,808 A \* 1/1992 Brown ..... 24/67.7  
D430,045 S \* 8/2000 Omuro et al. .... D10/43  
D449,236 S \* 10/2001 Hopkins ..... D10/43  
D523,477 S \* 6/2006 Cetera ..... D19/65  
D553,038 S \* 10/2007 Robinson et al. .... D10/104.1  
D576,889 S \* 9/2008 Mandel ..... D10/2  
D614,051 S \* 4/2010 Cooney ..... D10/40  
2004/0000226 A1 \* 1/2004 Sakamoto ..... 84/611

\* cited by examiner

*Primary Examiner* — Martie K Holtje

(74) *Attorney, Agent, or Firm* — Adams & Wilks

(57) **CLAIM**

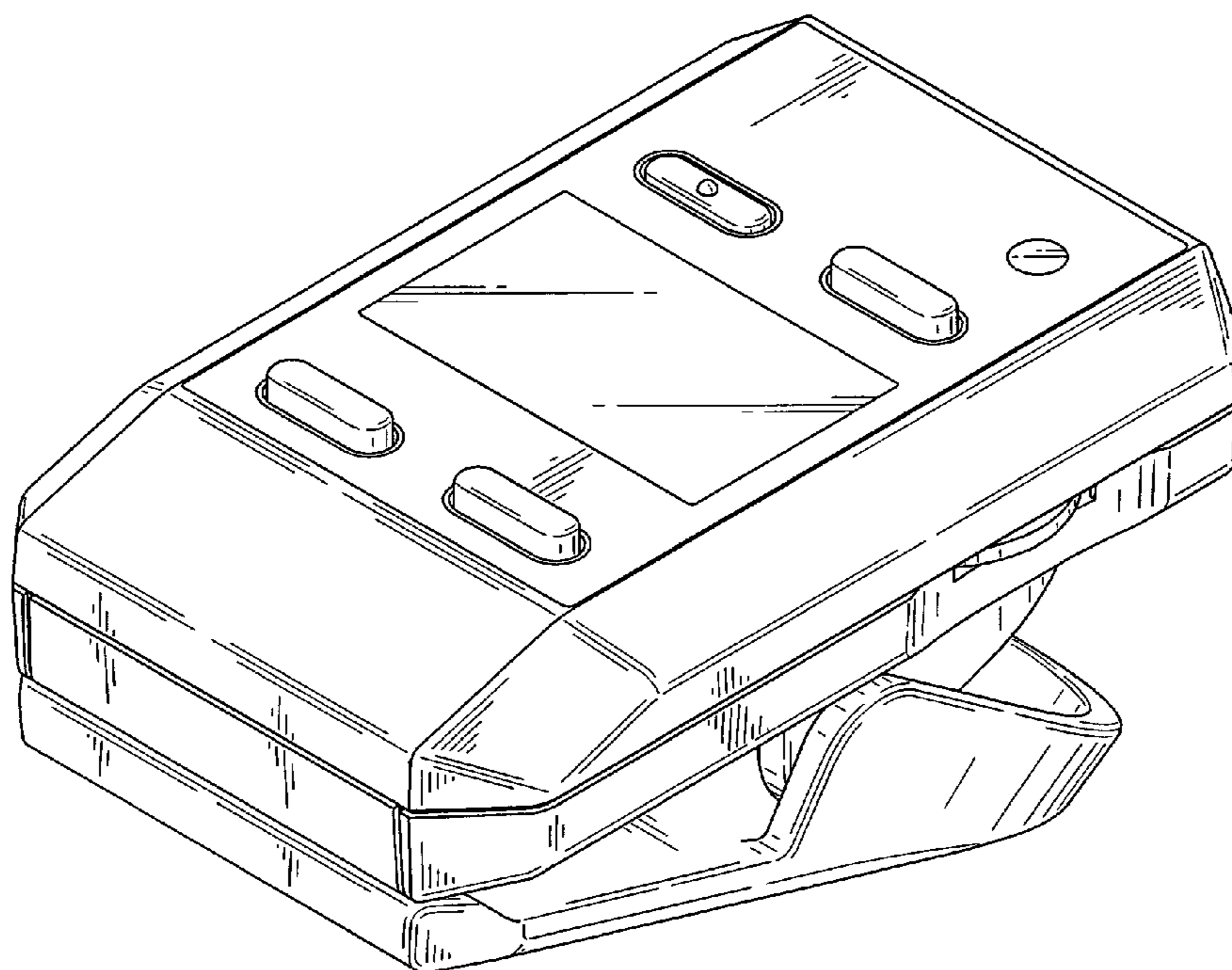
The ornamental design for a metronome, as shown and described.

**DESCRIPTION**

FIG. 1 is a front, right bottom perspective view of a metronome showing my new design;  
FIG. 2 is a front view thereof;  
FIG. 3 is a rear view thereof;  
FIG. 4 is a left side view thereof;  
FIG. 5 is a right side view thereof;  
FIG. 6 is a top view thereof; and,  
FIG. 7 is a bottom view thereof.

The structural elements depicted by broken lines in FIG. 3 have been shown for the purpose of illustrating portions of the metronome that form no part of the claimed design.

**1 Claim, 4 Drawing Sheets**



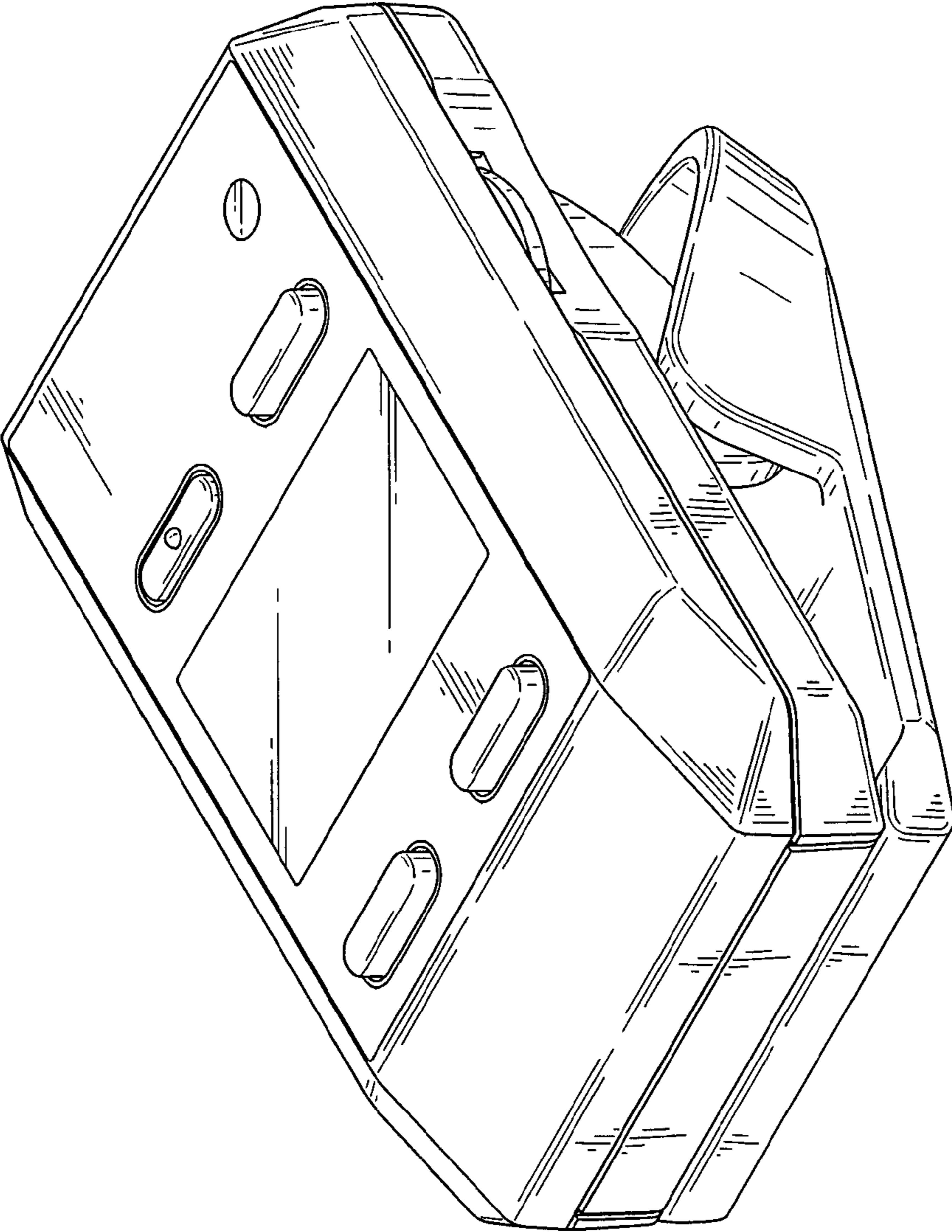


FIG. 1

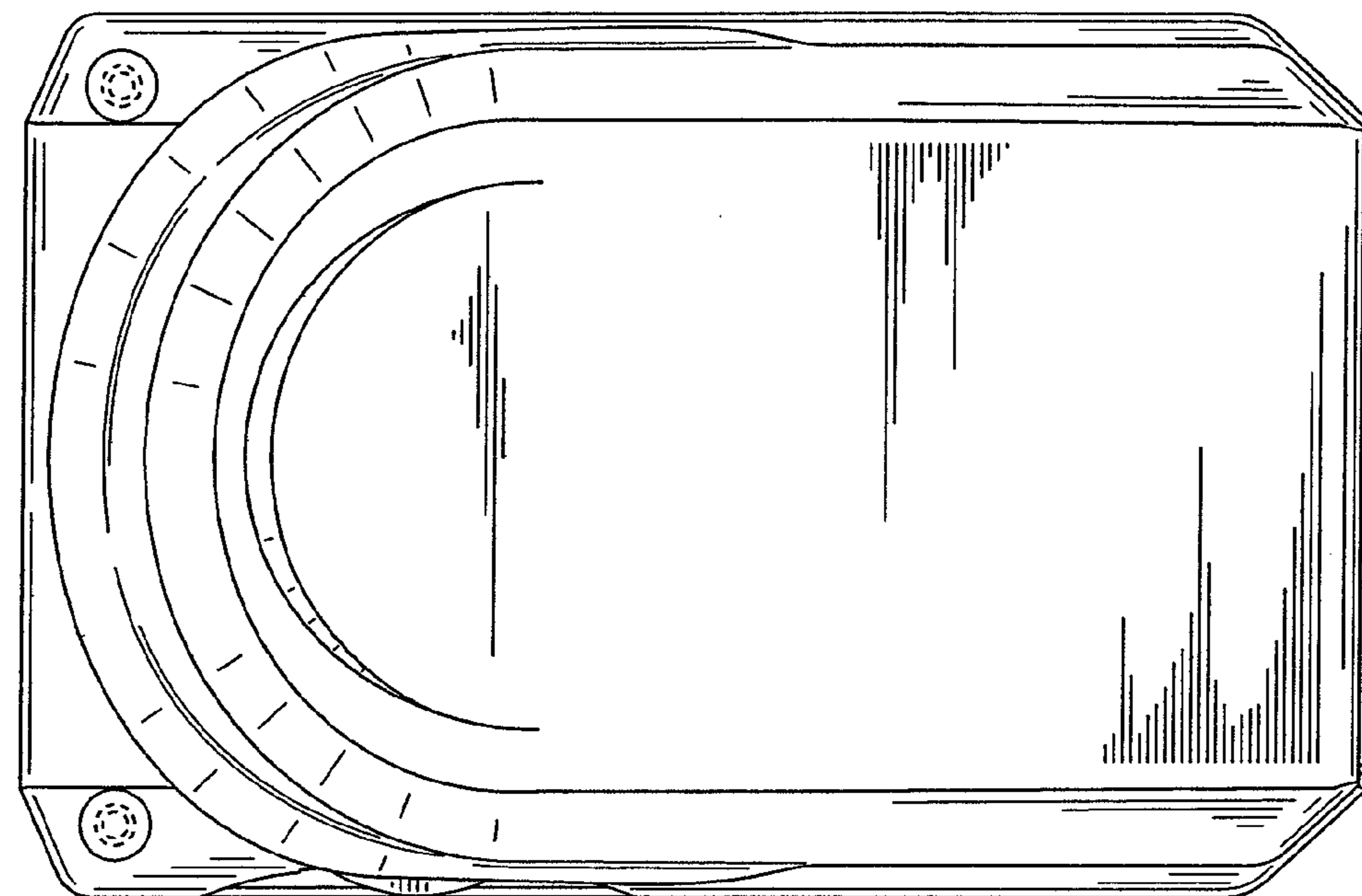


FIG. 3

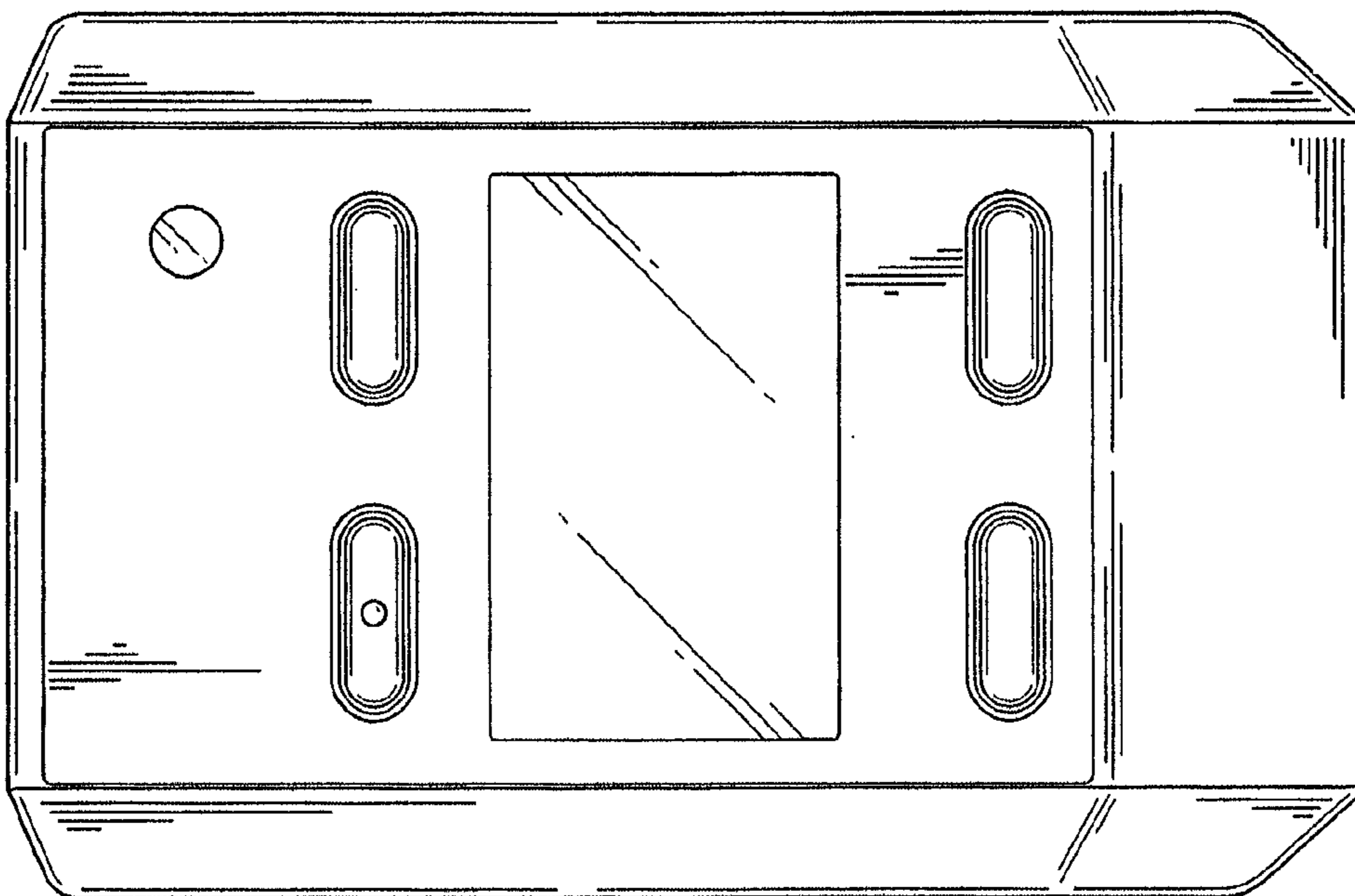


FIG. 2

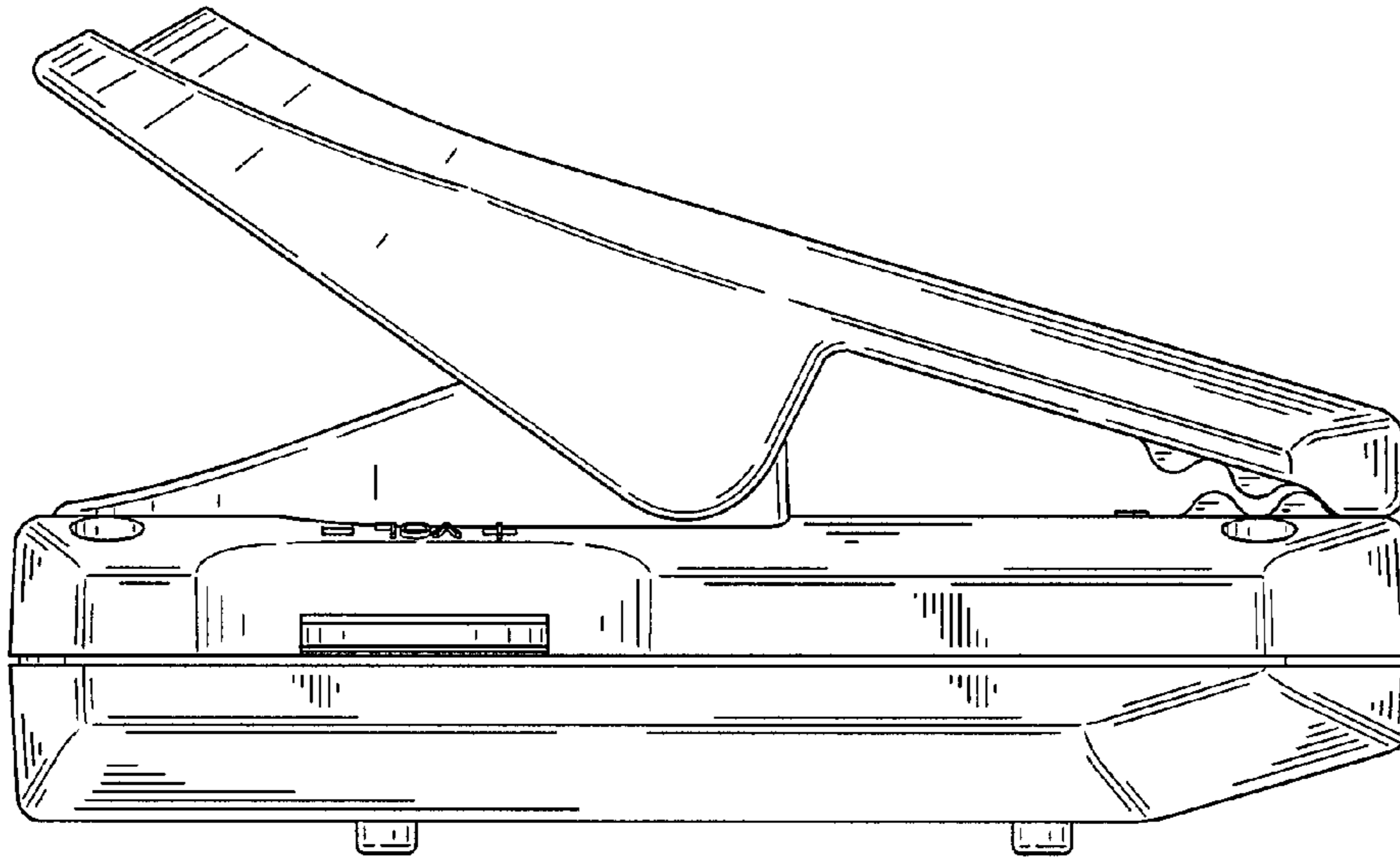


FIG. 5

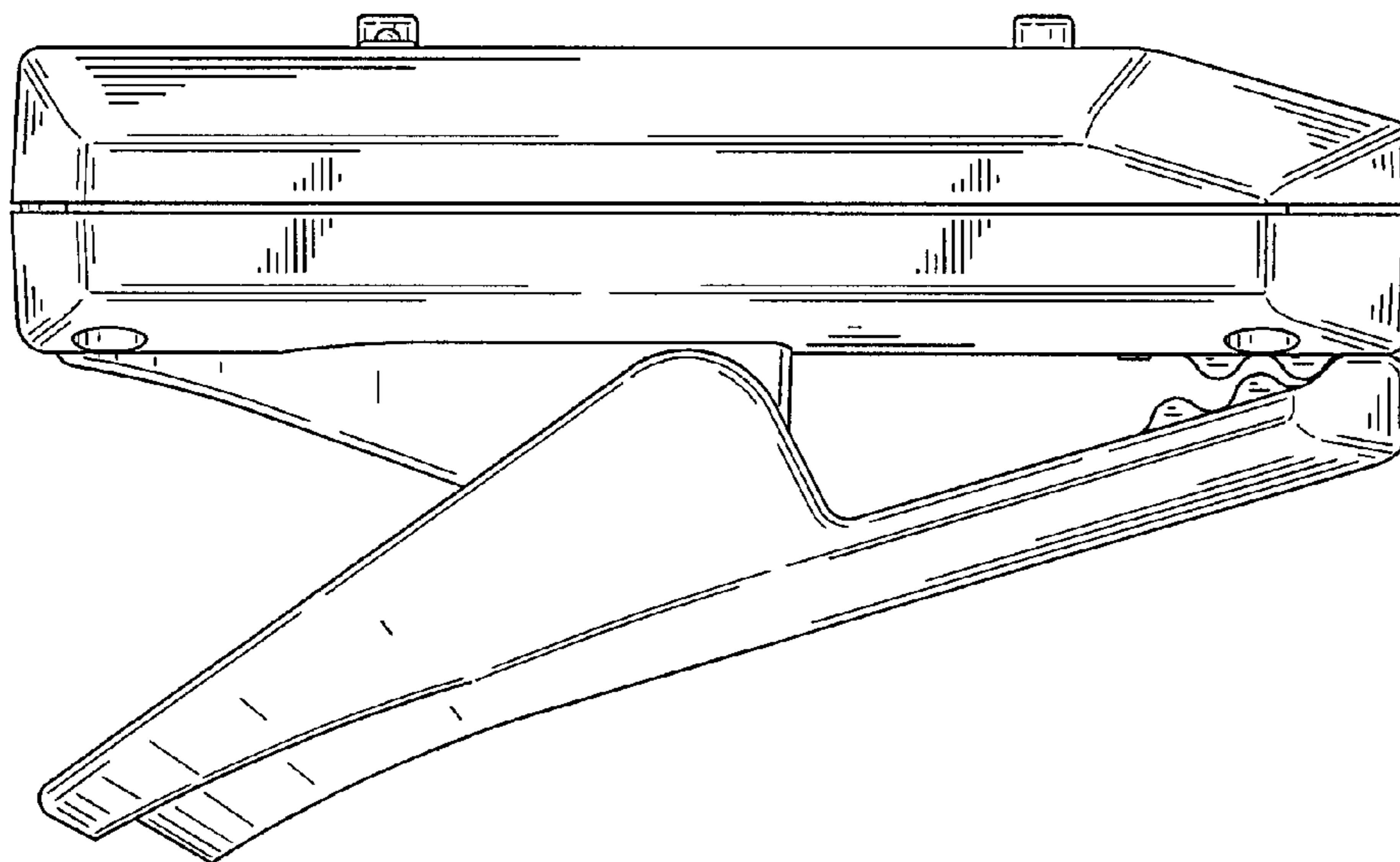


FIG. 4

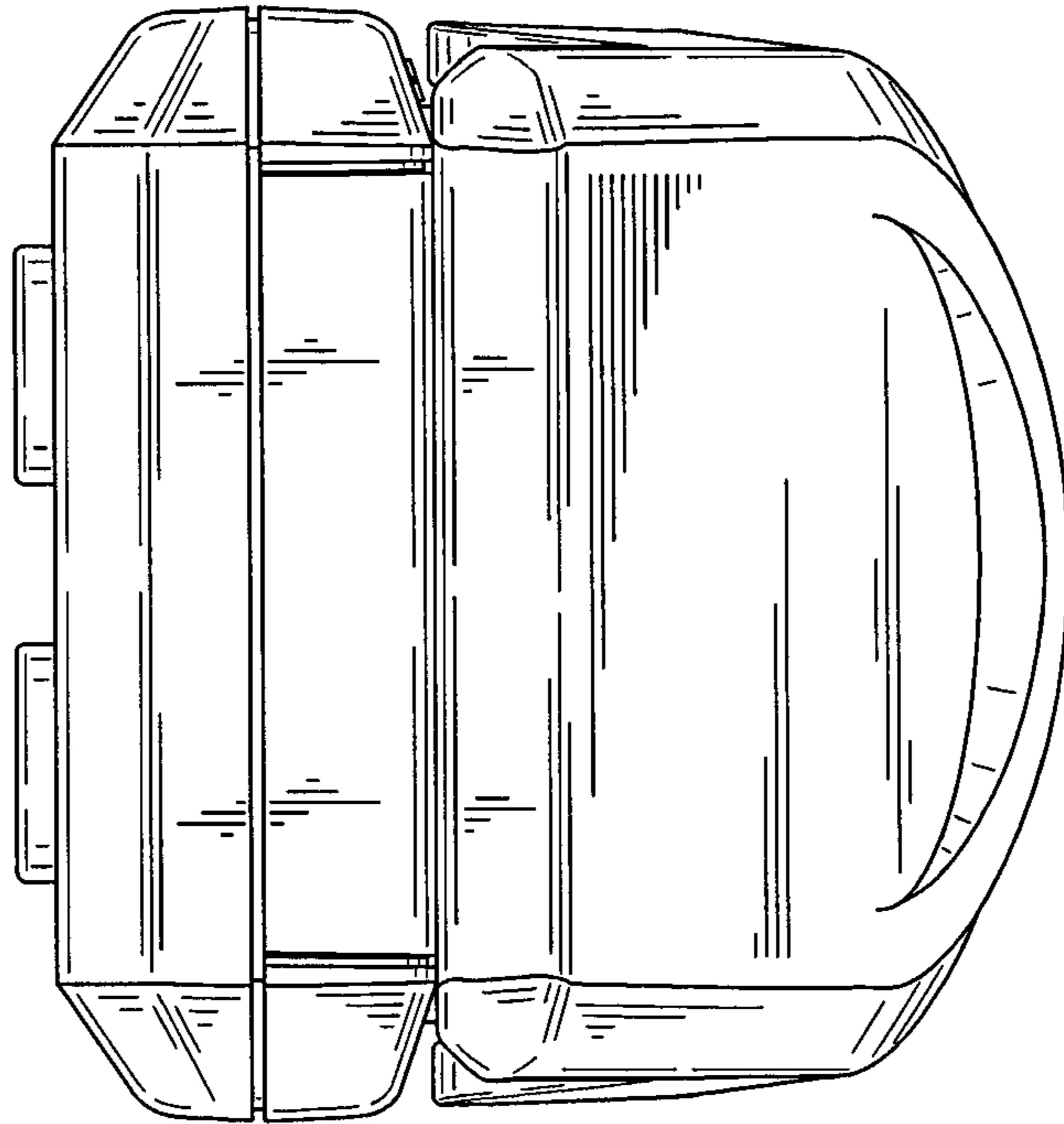


FIG. 7

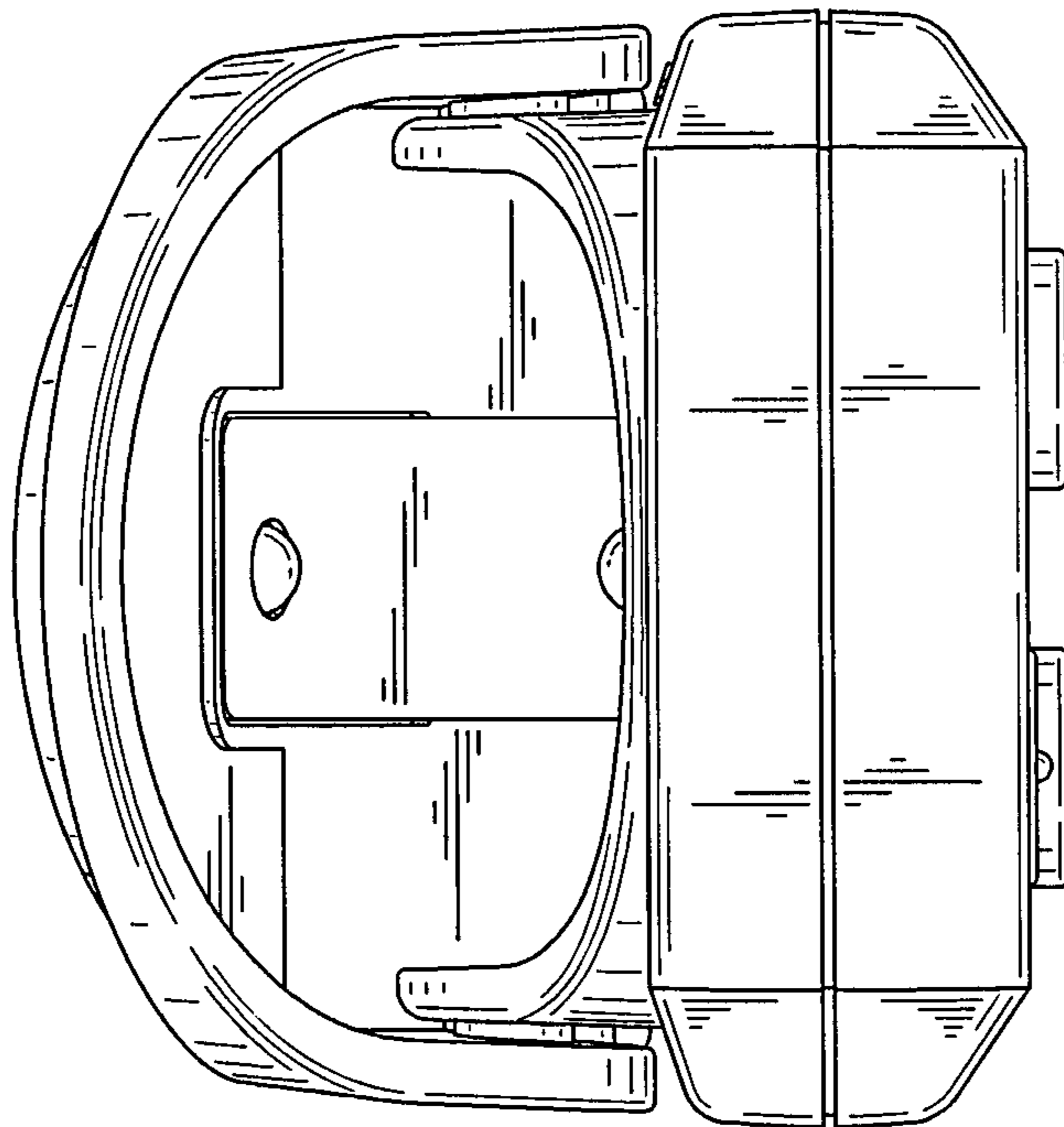


FIG. 6