



US00D714163S

(12) **United States Design Patent**
Weiss

(10) **Patent No.:** **US D714,163 S**
(45) **Date of Patent:** **** Sep. 30, 2014**

(54) **STACKABLE SLIDER BEVERAGE CONTAINER**

(71) Applicant: **Drink Blocks, LLC**, Ladera Ranch, CA (US)

(72) Inventor: **Tom Weiss**, Ladera Ranch, CA (US)

(**) Term: **14 Years**

(21) Appl. No.: **29/471,733**

(22) Filed: **Nov. 4, 2013**

(51) **LOC (10) Cl.** **09-01**

(52) **U.S. Cl.**
USPC **D9/743; D9/566; D9/745; D7/509; D7/515; D7/510**

(58) **Field of Classification Search**
USPC **D7/509-511, 514, 515, 507; D9/570, D9/564, 566, 573, 743, 745; 220/703, 220/592.16, 592.17; 222/143; D21/500**
See application file for complete search history.

(56) **References Cited**

U.S. PATENT DOCUMENTS

| | | | | |
|---------------|---------|-----------------|-------|---------|
| D81,679 S * | 7/1930 | Webber | | D9/566 |
| D163,454 S * | 5/1951 | Fuerst | | D9/566 |
| D212,350 S * | 10/1968 | Kelly | | D9/527 |
| 3,955,715 A * | 5/1976 | Topor | | 222/143 |
| D333,978 S * | 3/1993 | Zutler | | D9/743 |
| D383,981 S * | 9/1997 | Macauley et al. | | D9/520 |
| D426,164 S * | 6/2000 | Gans et al. | | D9/541 |
| D542,666 S * | 5/2007 | Trude | | D9/551 |
| D591,605 S * | 5/2009 | Ungrady | | D9/559 |
| D607,738 S * | 1/2010 | Kuzma et al. | | D9/542 |
| D617,196 S * | 6/2010 | Weggelaar | | D9/522 |

* cited by examiner

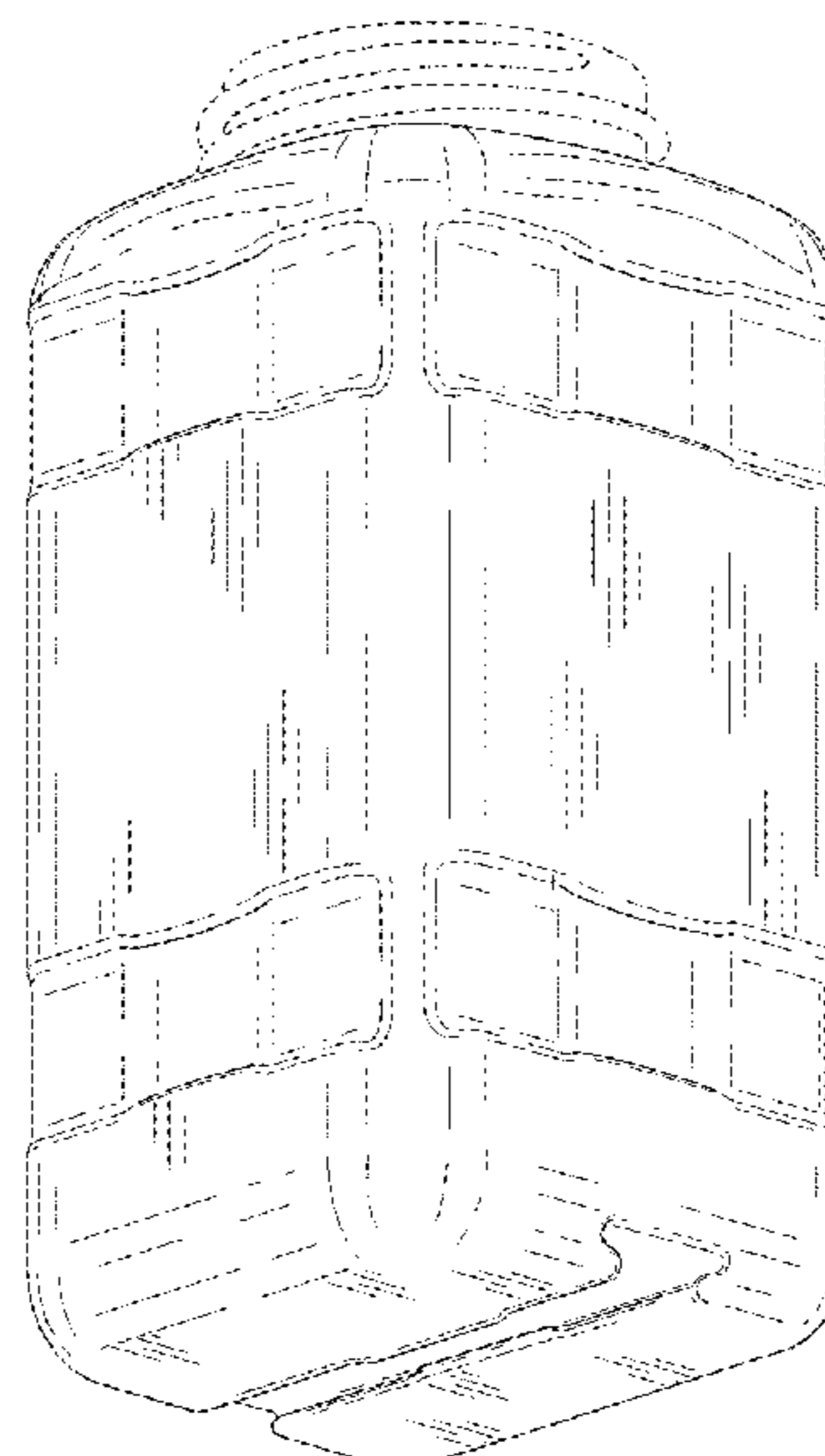
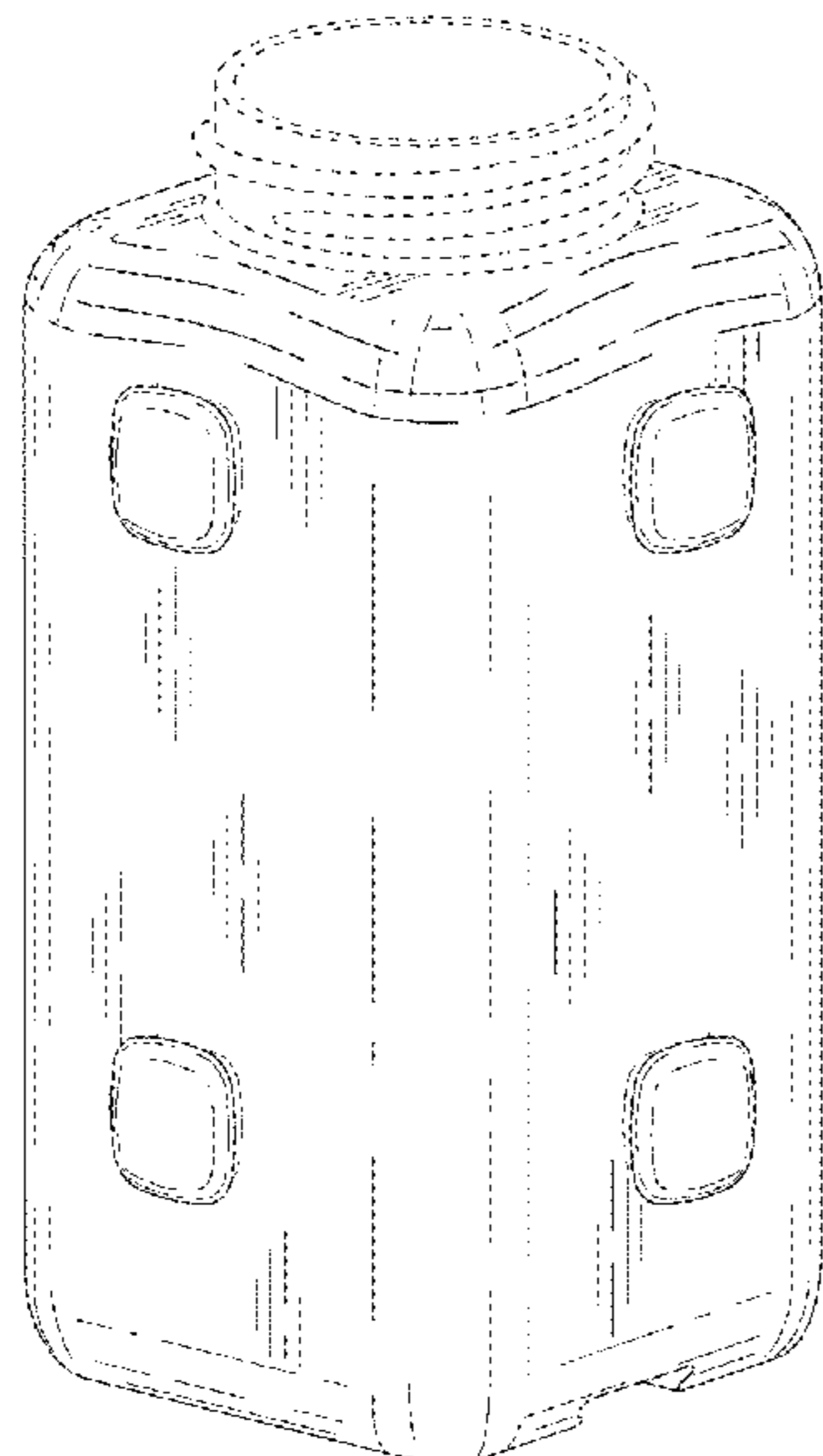
Primary Examiner — Marianne Pandozzi
(74) *Attorney, Agent, or Firm* — Russo & Duckworth, LLP; David G. Duckworth

(57) **CLAIM**
The ornamental design for a stackable slider beverage container, as shown and described.

DESCRIPTION

FIG. 1 is a top, right, front perspective view of the stackable slider beverage container of my design; FIG. 2 is a bottom, rear, left perspective view thereof; FIG. 3 is a right elevation view thereof; FIG. 4 is a left elevation view thereof; FIG. 5 is a front elevation view thereof; FIG. 6 is a rear elevation view thereof; FIG. 7 is a top plan view thereof; FIG. 8 is a bottom plan view thereof; FIG. 9 is an environmental elevation view of the stackable slider beverage container in a stacked condition; FIG. 10 is an environmental top perspective view of the stackable slider beverage container in a stacked condition; FIG. 11 is an environmental top perspective view of the stackable slider beverage container in a stacked condition; FIG. 12 is an environmental top perspective view of the stackable slider beverage container in a stacked condition; FIG. 13 is an environmental top perspective view of the stackable slider beverage container in a stacked condition; and, FIG. 14 is an environmental top perspective view of the stackable slider beverage container in a stacked condition. The broken lines shown represent unclaimed subject matter and form no part of the claimed design.

1 Claim, 9 Drawing Sheets



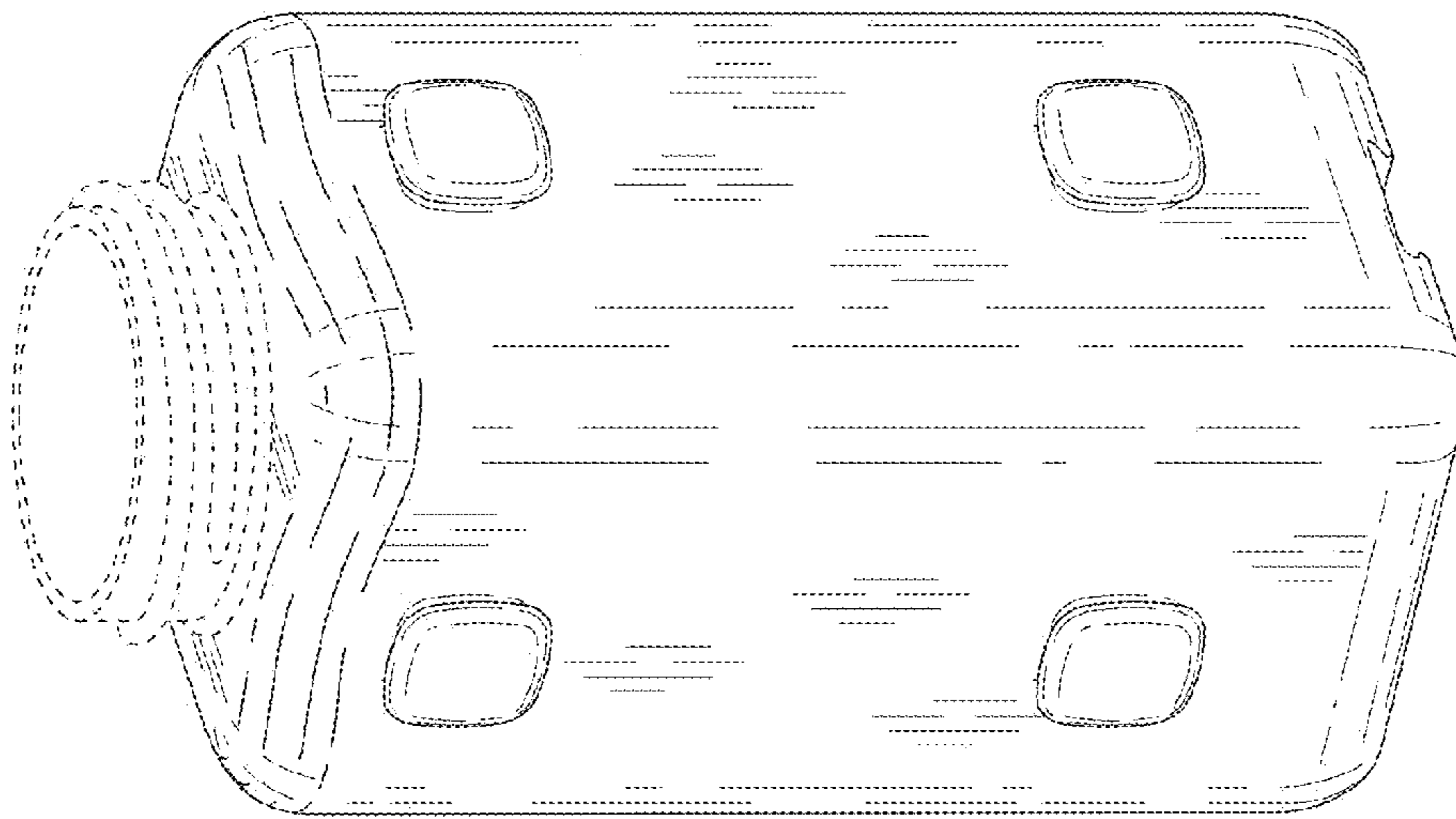


Fig. 1

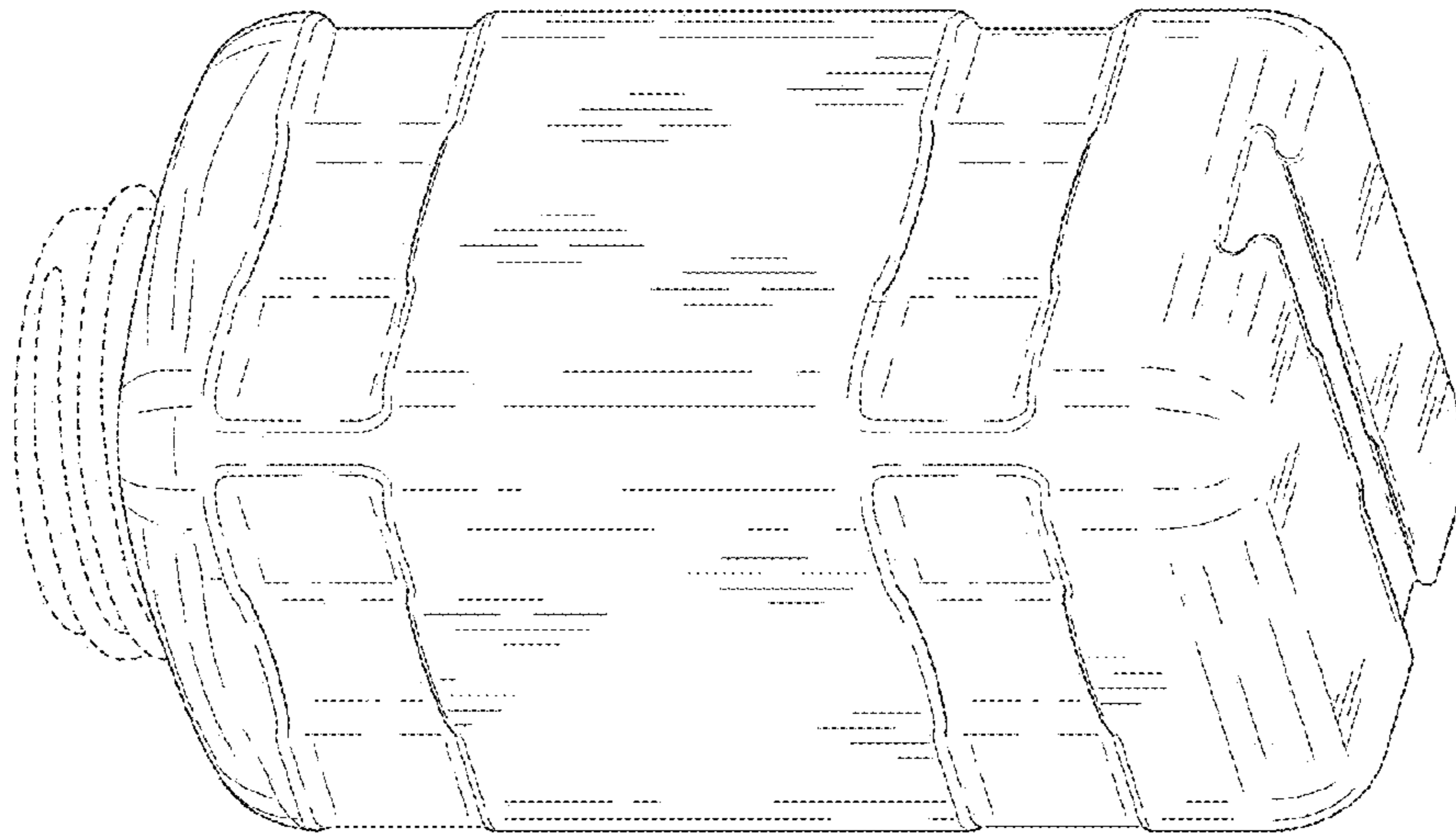


Fig. 2

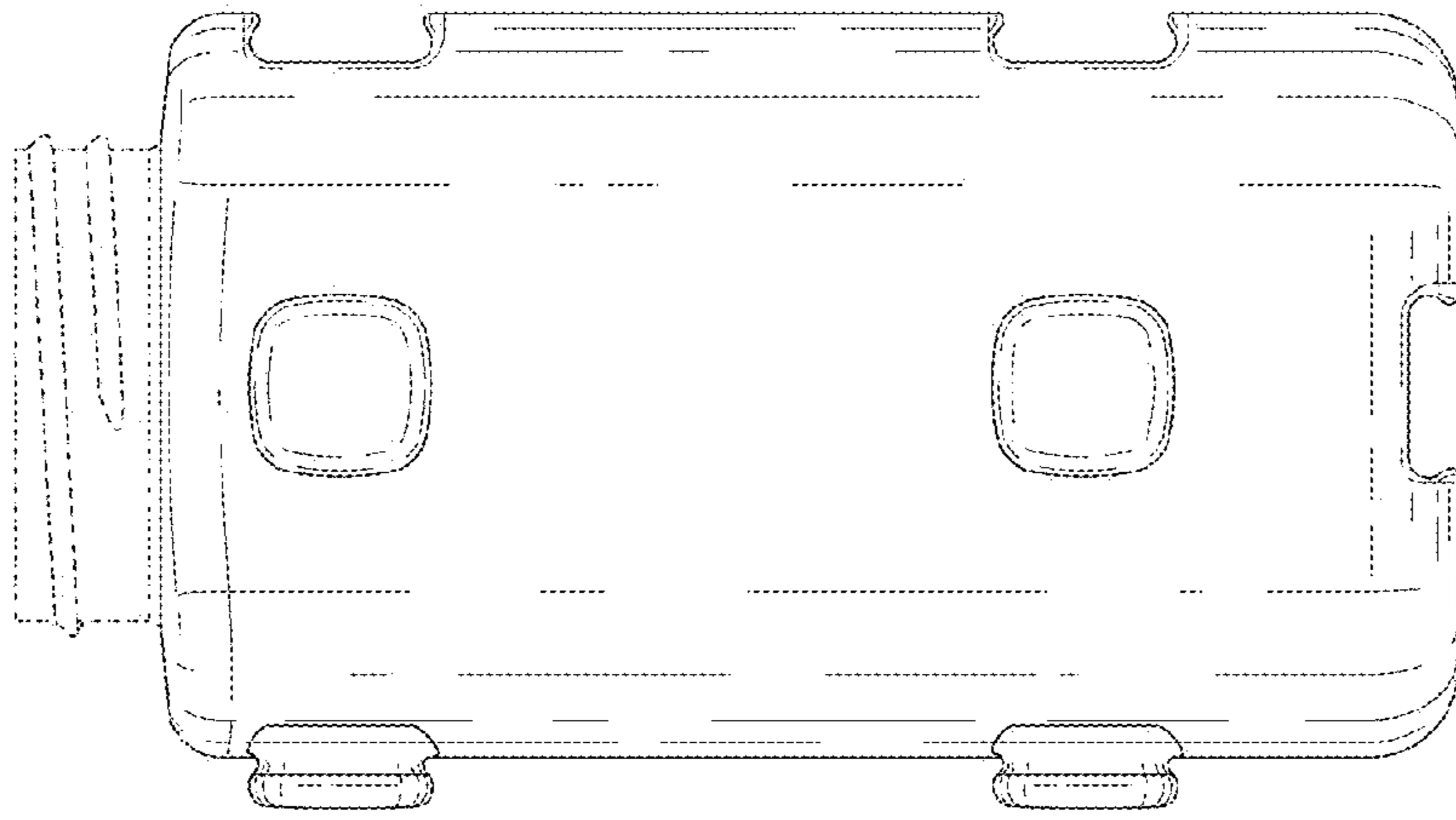


Fig. 3

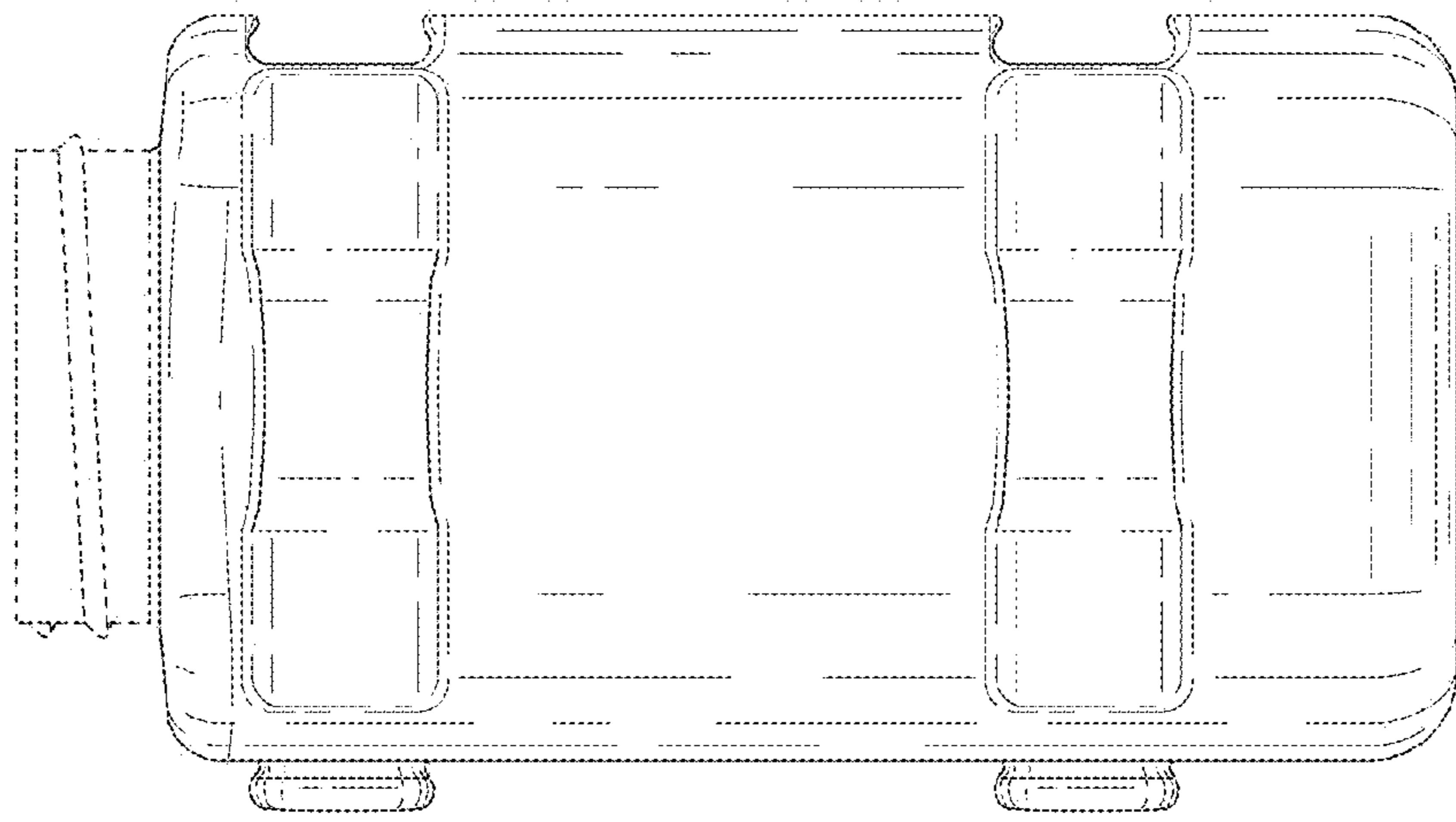


Fig. 4

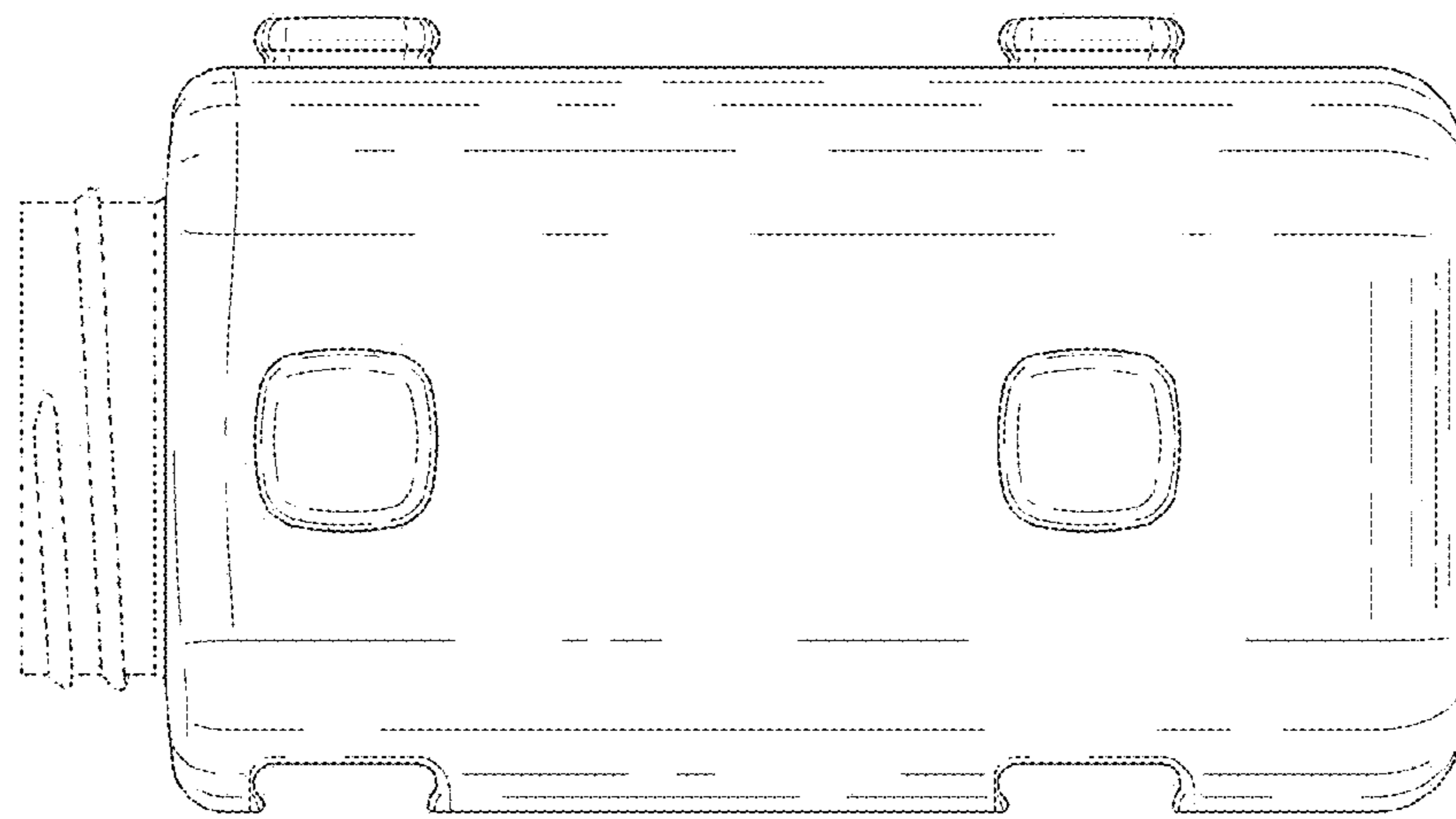


Fig. 5

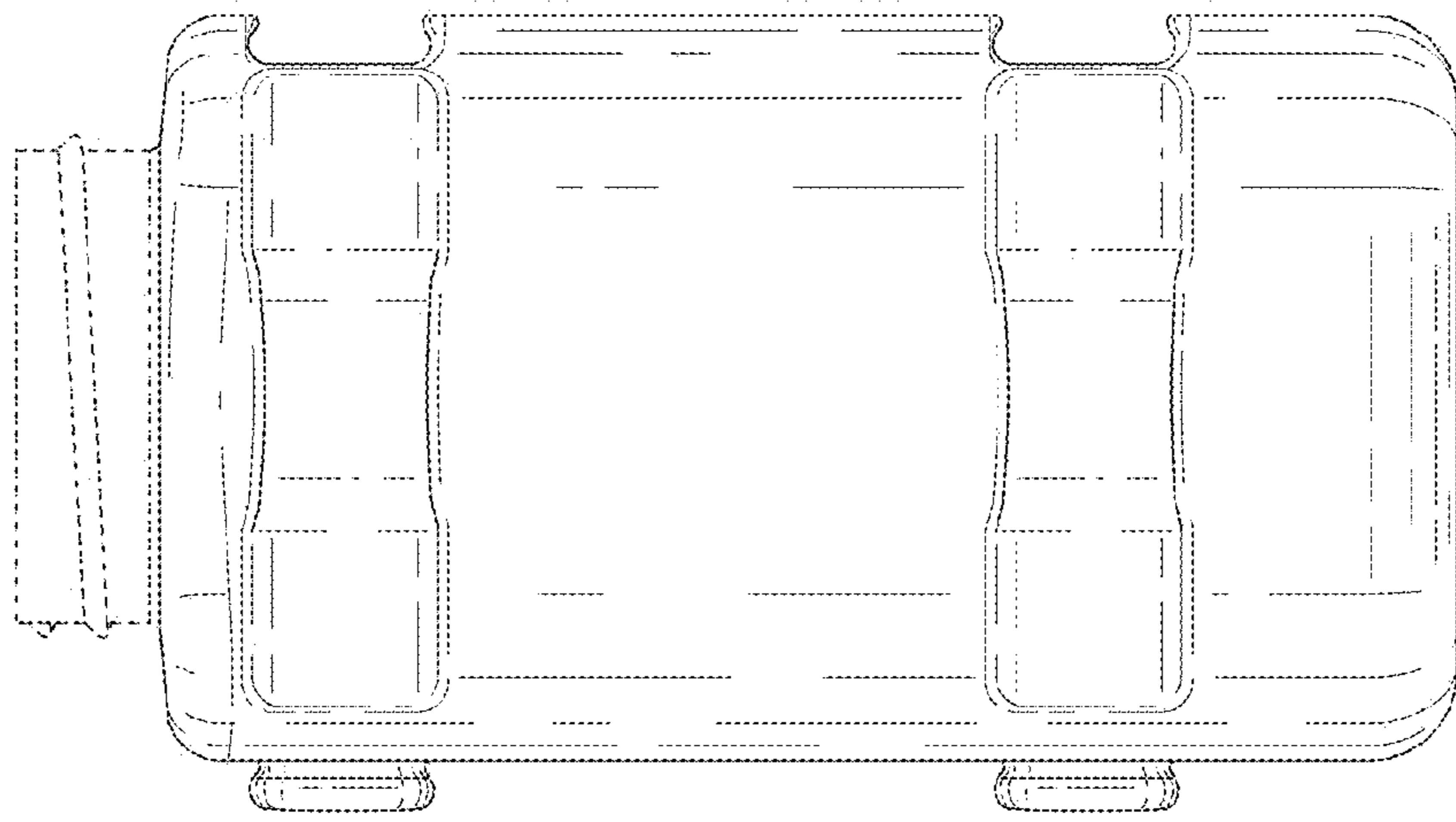


Fig. 6

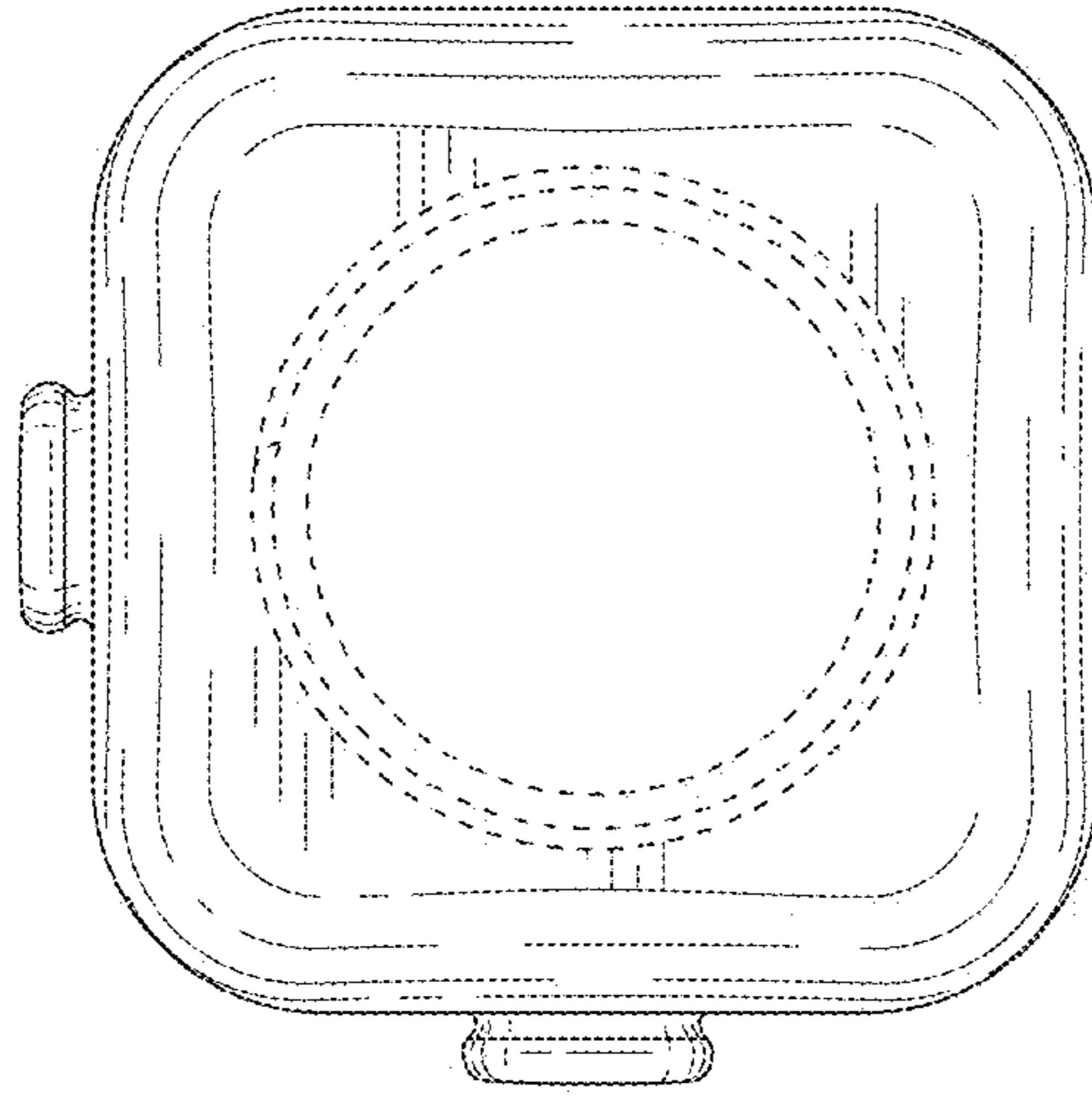


Fig. 7

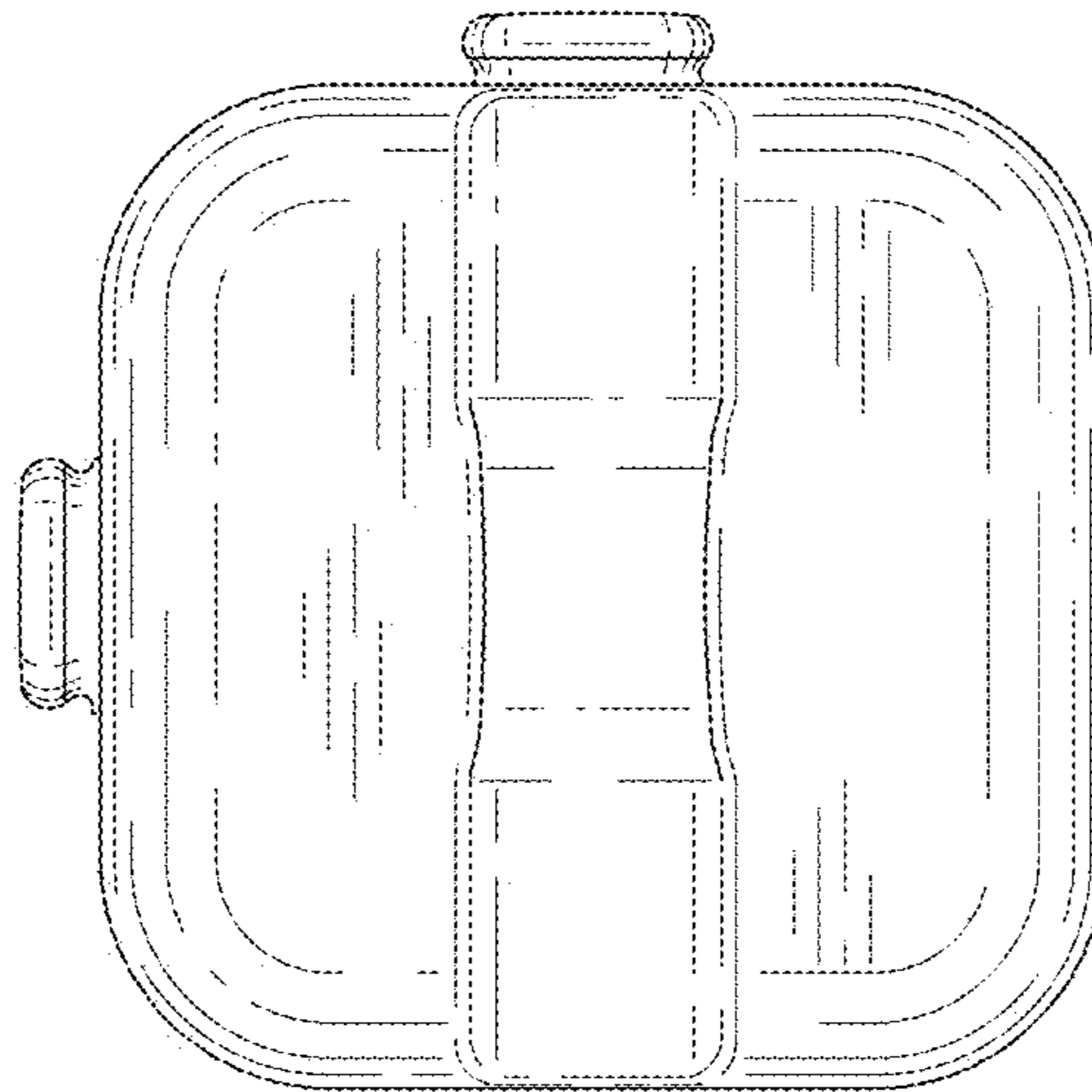


Fig. 8

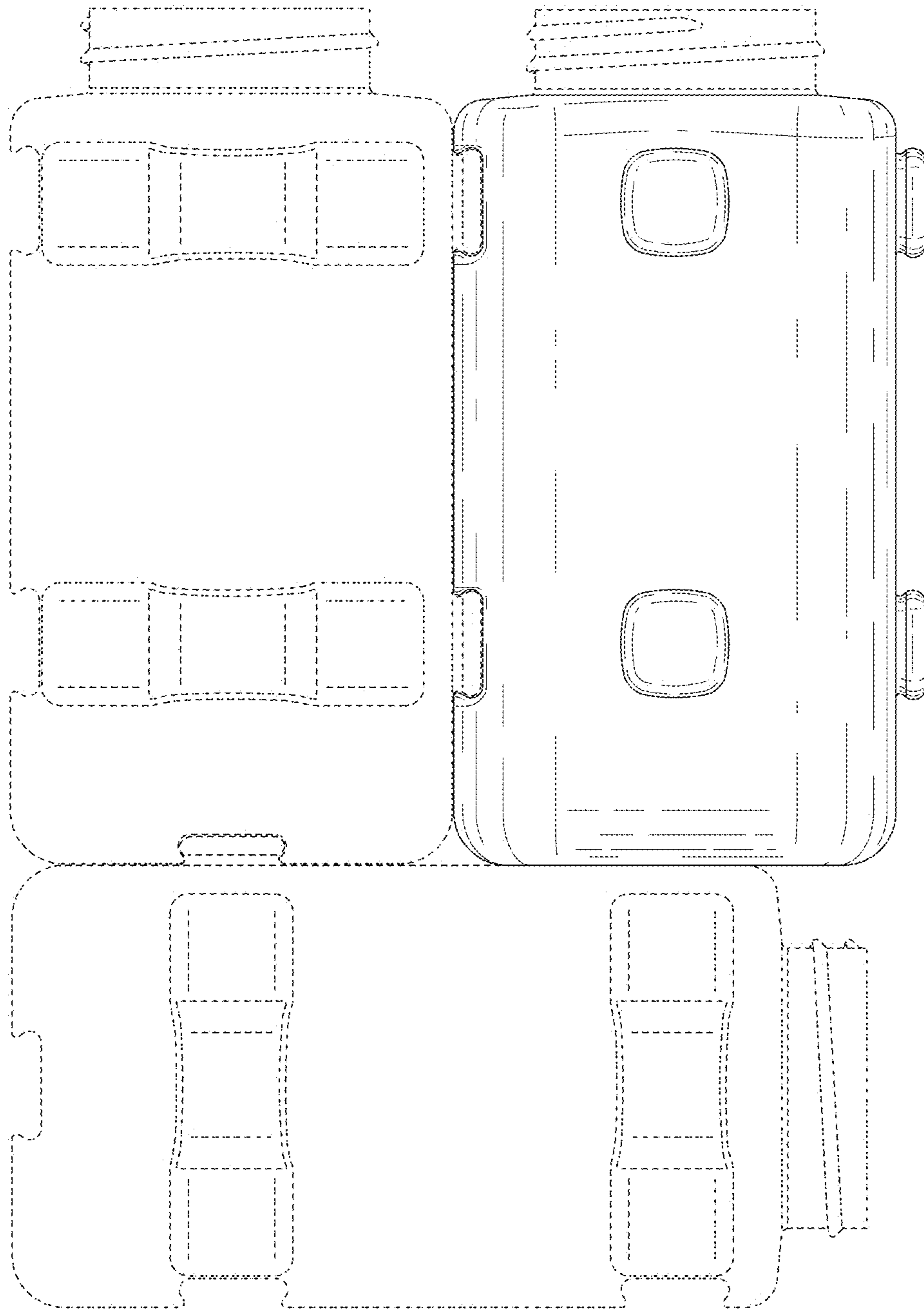


Fig. 9

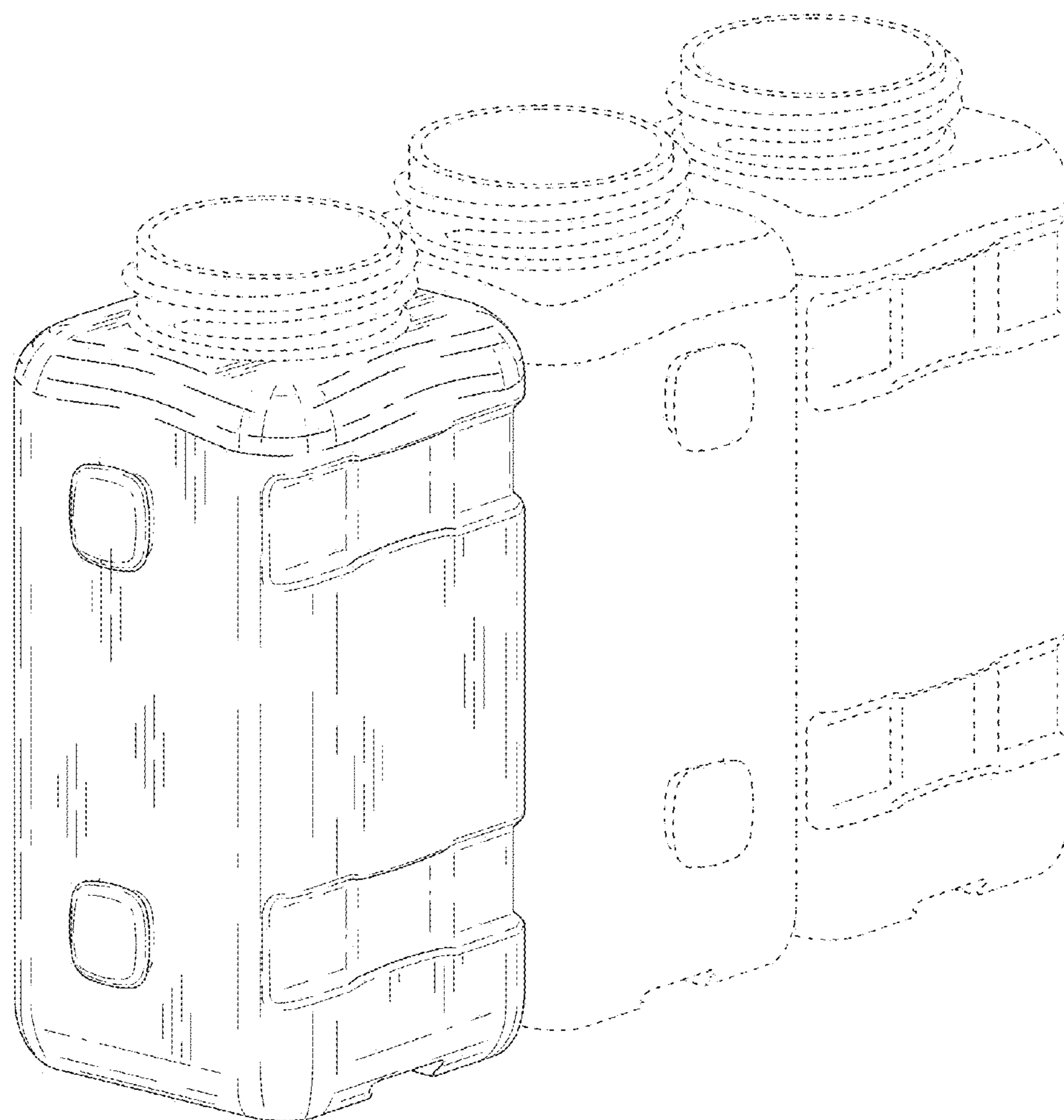


Fig. 10

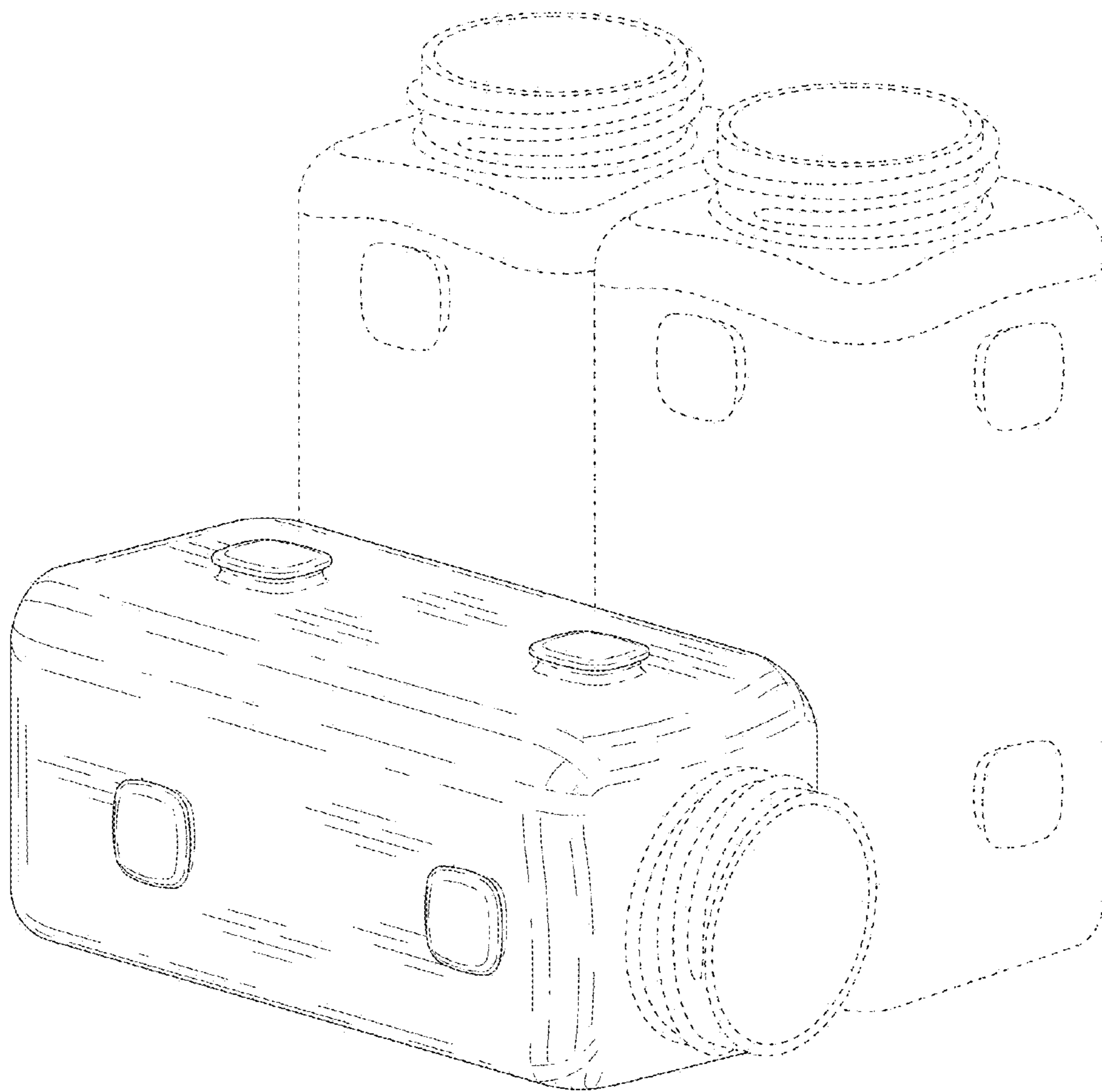


Fig. 11

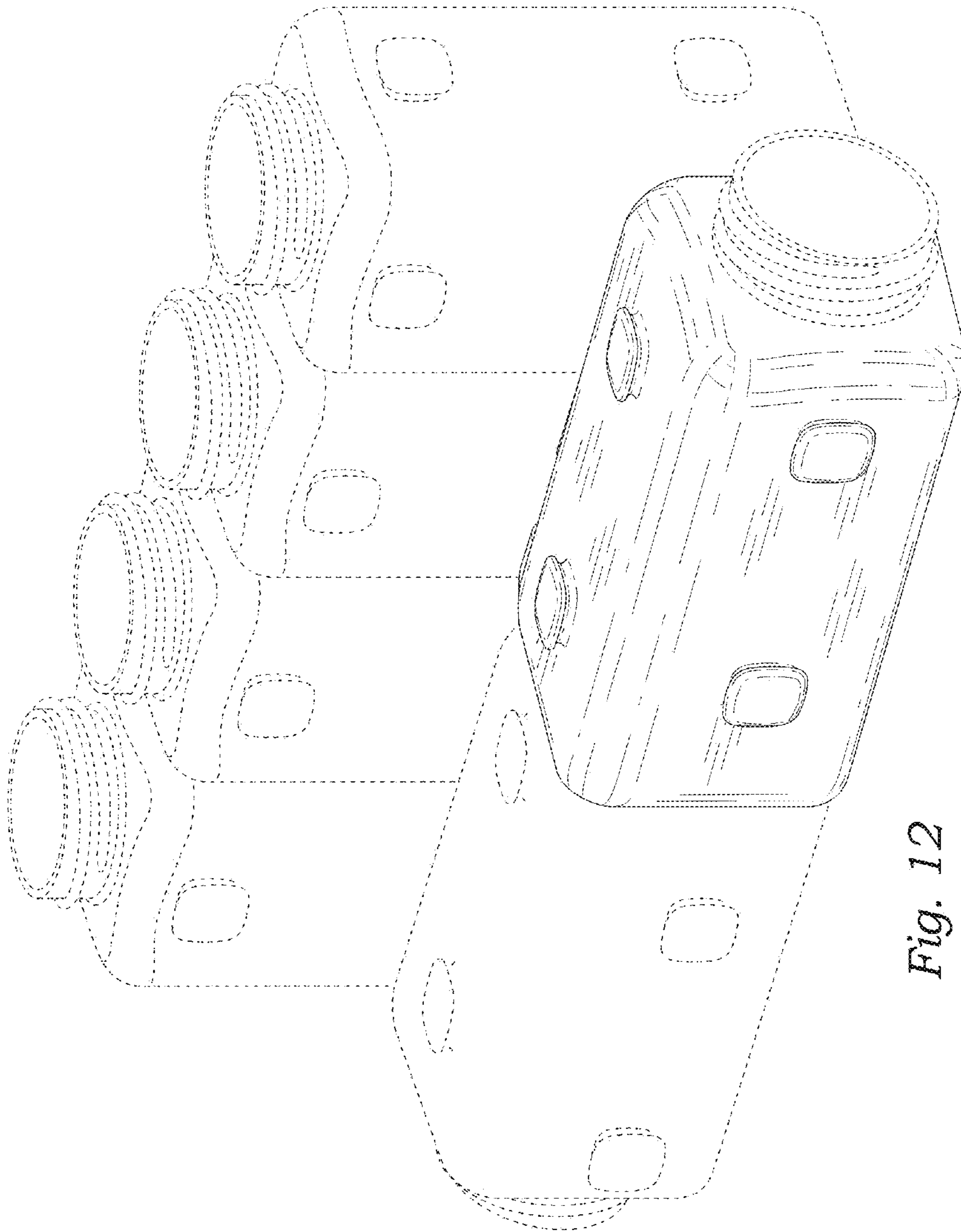


Fig. 12

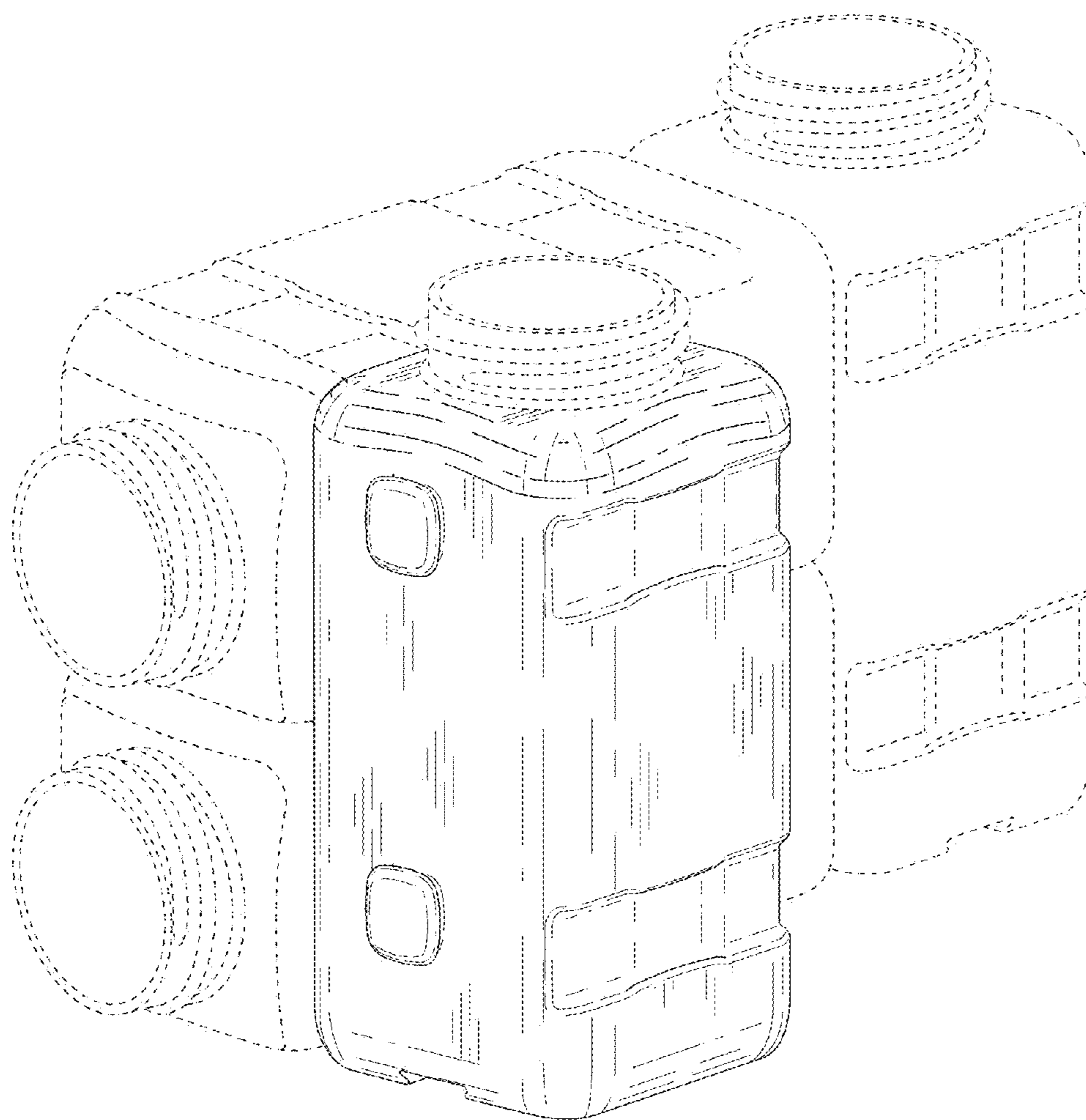


Fig. 13

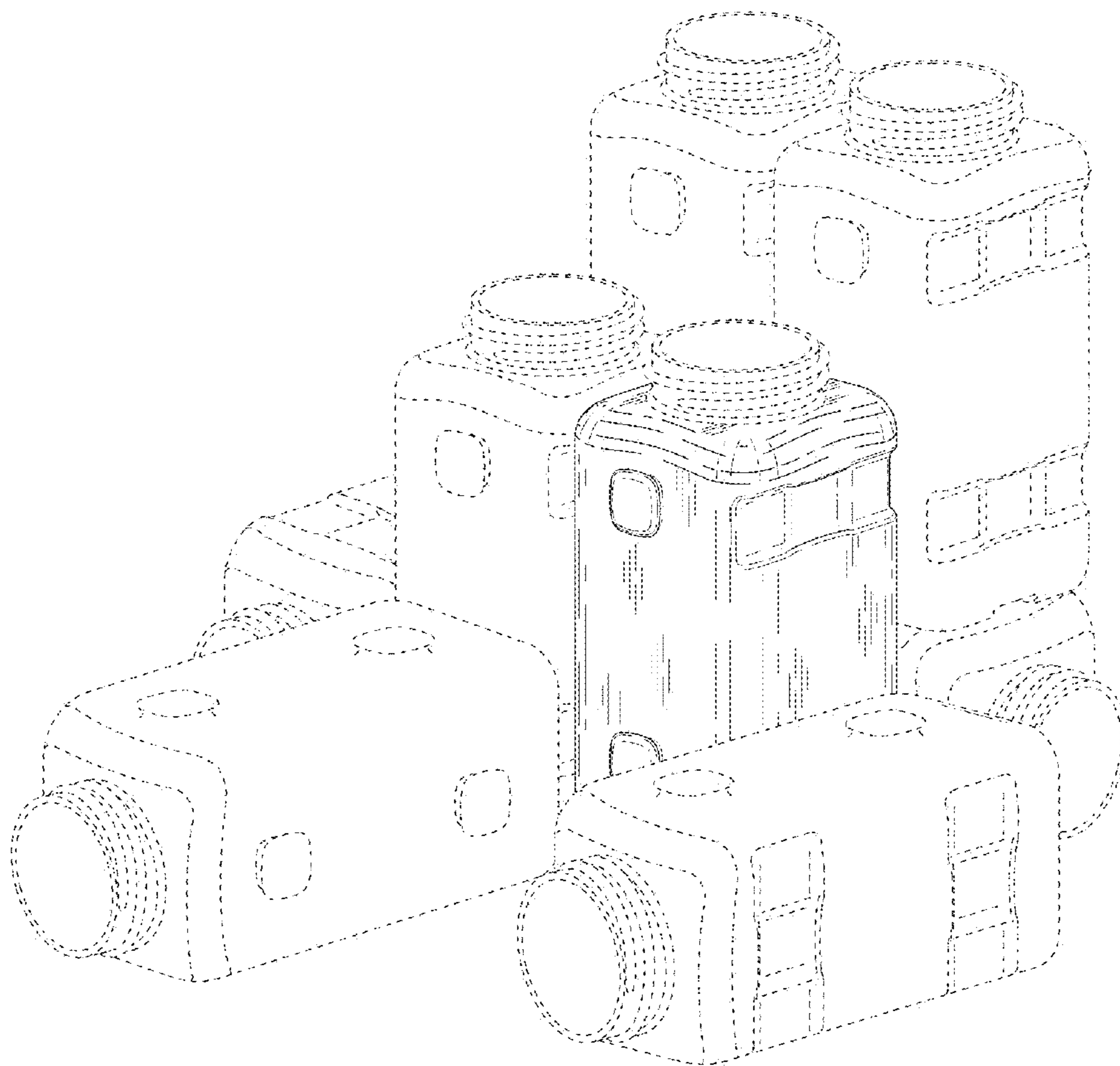


Fig. 14