



US00D714154S

(12) **United States Design Patent**
Keeler

(10) **Patent No.:** **US D714,154 S**

(45) **Date of Patent:** **** Sep. 30, 2014**

(54) **WATER BOTTLE**

(76) Inventor: **David Keeler**, San Francisco, CA (US)

(**) Term: **14 Years**

(21) Appl. No.: **29/409,107**

(22) Filed: **Dec. 20, 2011**

(51) **LOC (10) Cl.** **09-01**

(52) **U.S. Cl.**
USPC **D9/535; D9/575; D9/449; D9/453;**
D9/454; D7/510; D7/511

(58) **Field of Classification Search**

USPC **D9/516, 531, 535, 537, 540, 575, 435,**
D9/447, 449, 453, 454; 215/382-384;
220/606, 675, 771; D7/509, 510, 531,
D7/533

See application file for complete search history.

(56) **References Cited**

U.S. PATENT DOCUMENTS

D47,650	S	*	7/1915	Roach	D9/535
D71,125	S	*	9/1926	Becker	D9/535
2,688,424	A	*	9/1954	Keiter	222/215
D199,699	S	*	12/1964	Dailey	D9/535
D214,871	S	*	8/1969	Tompkins	D9/527
D310,719	S	*	9/1990	Donovan	D24/197
D321,936	S	*	11/1991	Donovan	D24/197
D325,165	S	*	4/1992	Feen	D9/531
D337,921	S	*	8/1993	Iodice	D7/511
D350,672	S	*	9/1994	Egger et al.	D7/510
D358,530	S	*	5/1995	Mehra et al.	D7/510
5,545,315	A	*	8/1996	Lonneman	210/136
D391,448	S	*	3/1998	Winer et al.	D7/511 X
D408,288	S	*	4/1999	Wilson et al.	D9/531

D464,139	S	*	10/2002	Iodice	D24/197
D515,869	S	*	2/2006	Mills et al.	D7/511 X
D519,033	S	*	4/2006	Romano	D9/535
D545,204	S	*	6/2007	Abergas et al.	D9/529
D547,663	S	*	7/2007	Reyes	D9/535
D572,981	S	*	7/2008	Carreno	D7/510 X
D596,490	S	*	7/2009	Kleckauskas et al.	D9/535
D606,866	S	*	12/2009	Maas et al.	D9/535 X
D618,509	S	*	6/2010	Aarnoudse et al.	D7/510
D649,402	S	*	11/2011	Gilbert et al.	D7/510
D651,044	S	*	12/2011	Gilbert	D7/510
D686,040	S	*	7/2013	Lane	D7/510 X
D706,582	S	*	6/2014	Oas	D7/510

* cited by examiner

Primary Examiner — Carol P Rademaker

(74) *Attorney, Agent, or Firm* — Todd J. Juneau

(57) **CLAIM**

I claim the ornamental design for a water bottle, as shown and described.

DESCRIPTION

FIG. 1 is a perspective view of the water bottle from the bottom, showing my design;

FIG. 2 is a perspective view thereof from the top;

FIG. 3 is a perspective view thereof from a slight downward angle, showing the channel through the bottle;

FIG. 4 is a side view thereof;

FIG. 5 is an opposite side view thereof;

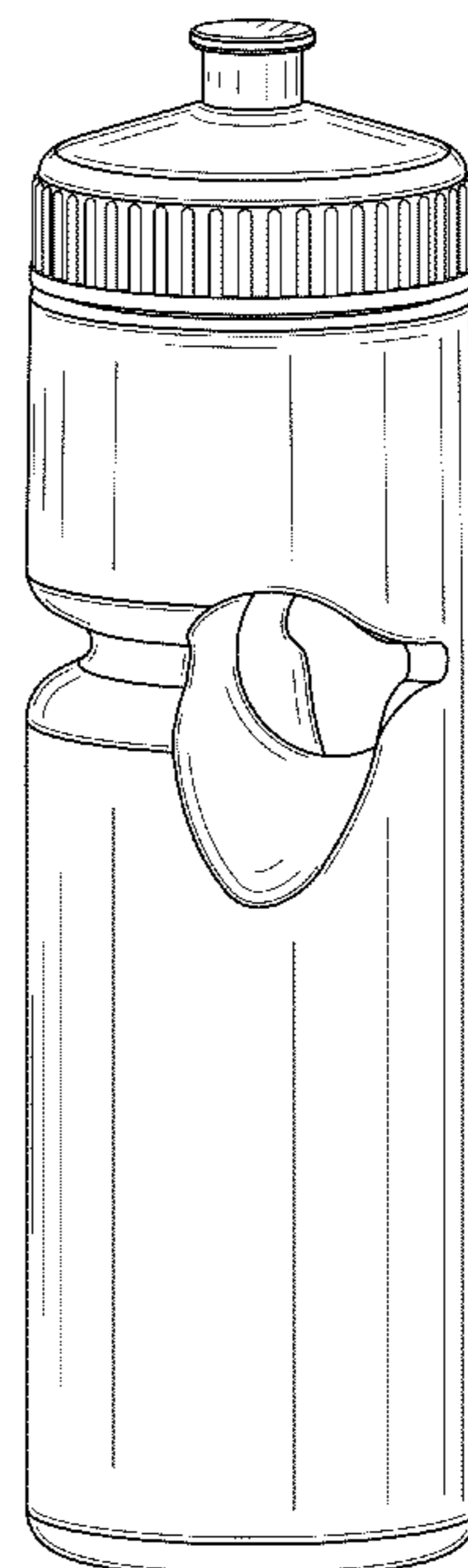
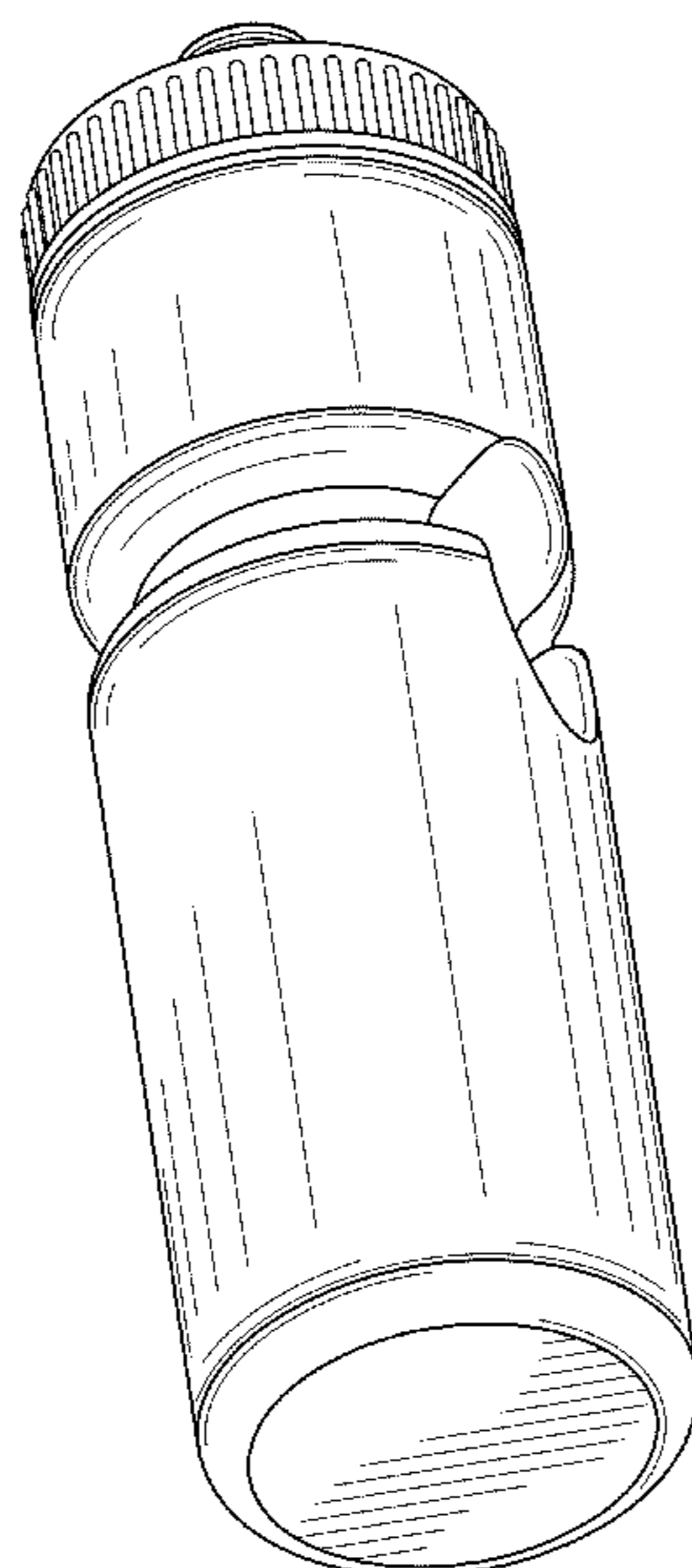
FIG. 6 is a front view thereof;

FIG. 7 is a back view thereof;

FIG. 8 is a top view thereof; and,

FIG. 9 is a bottom view thereof.

1 Claim, 8 Drawing Sheets



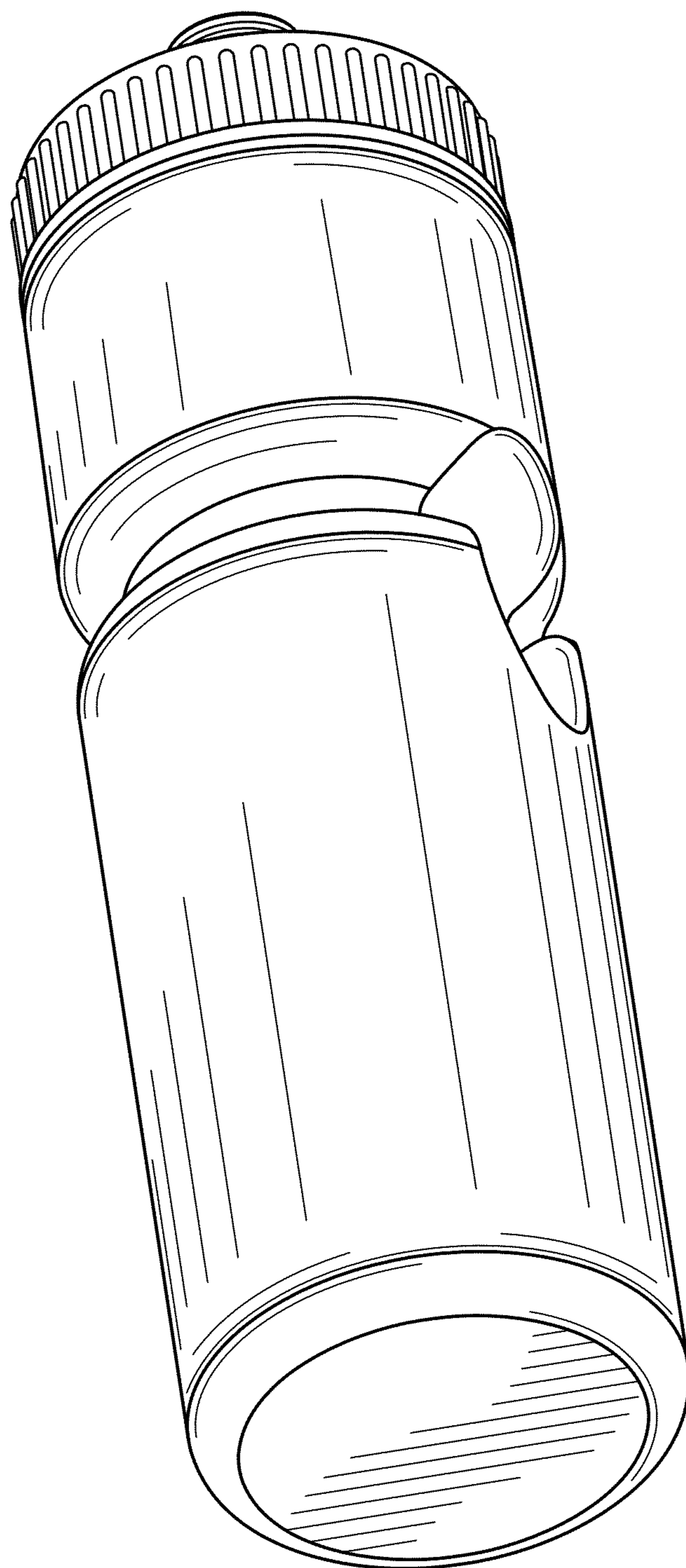


FIG. 1

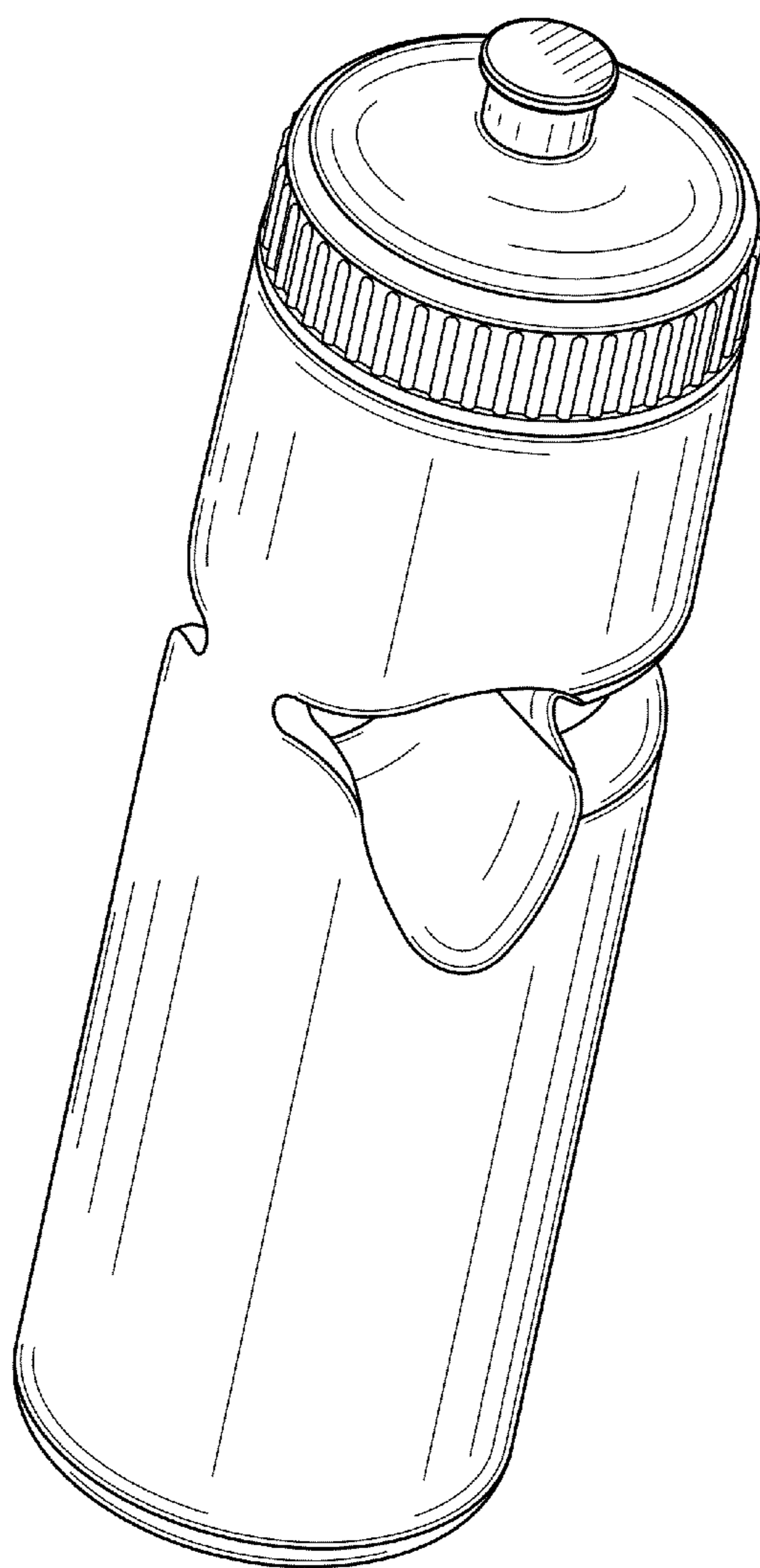


FIG. 2

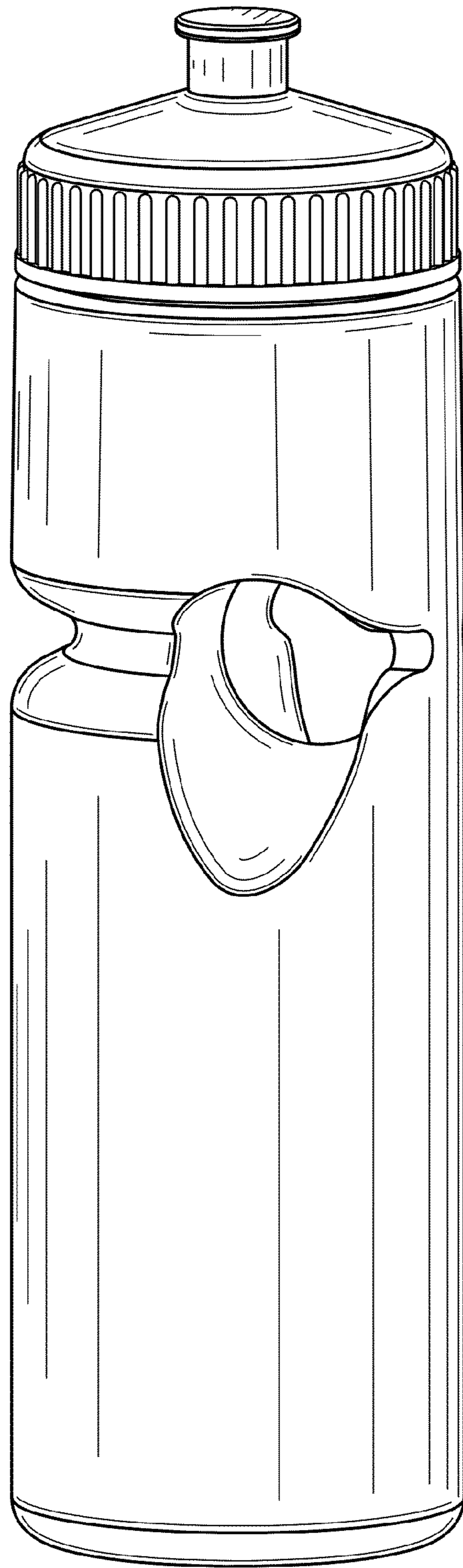


FIG. 3

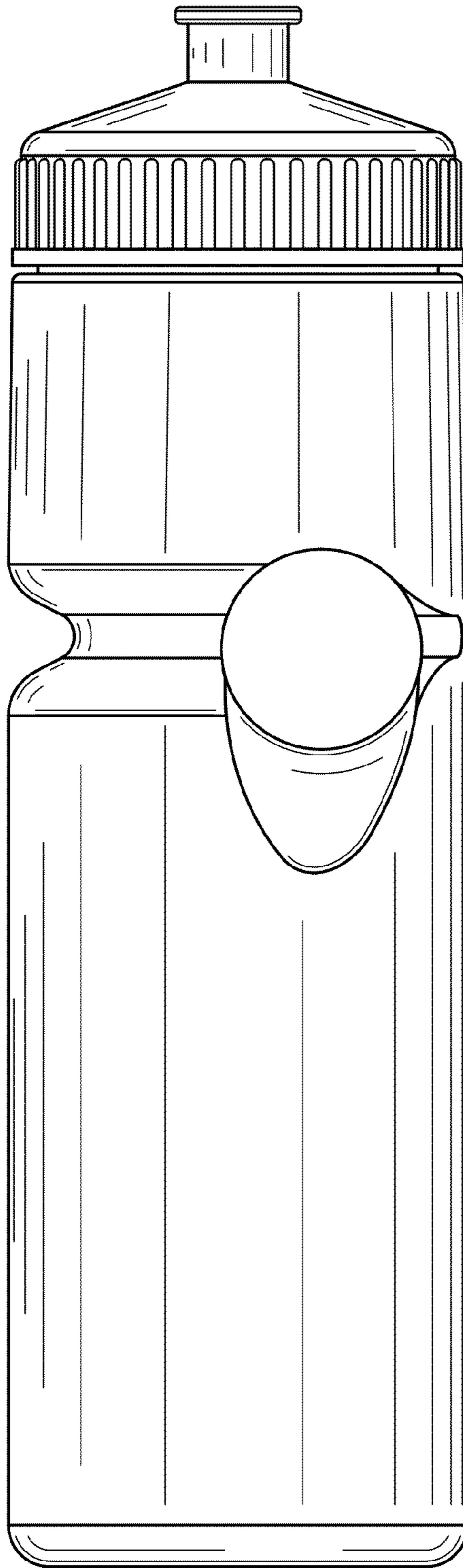


FIG. 4

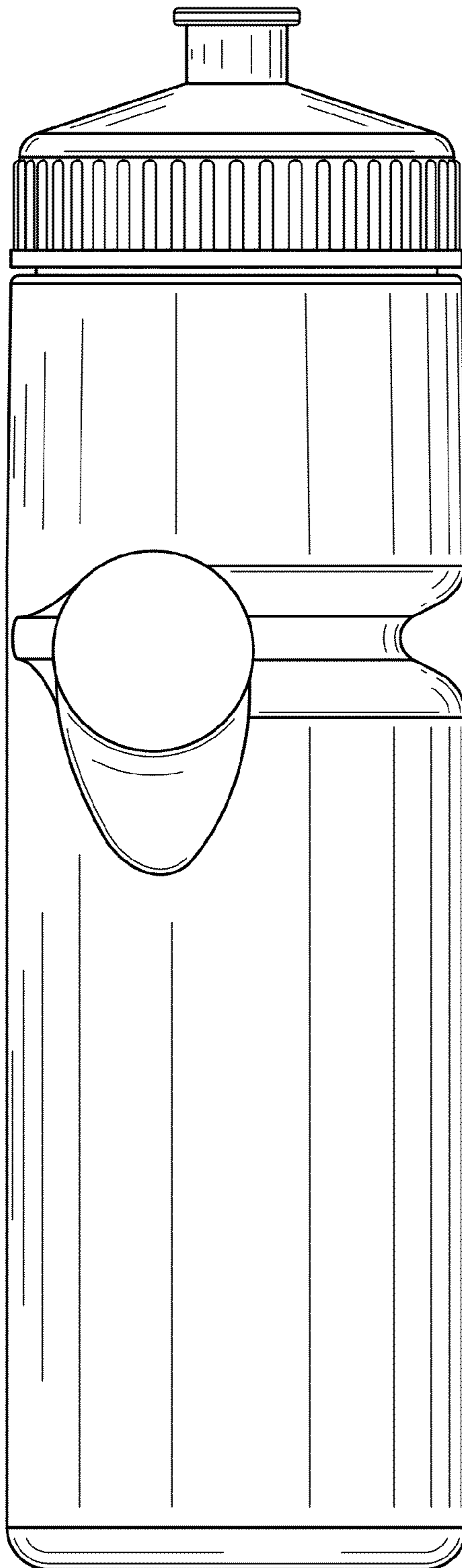


FIG. 5

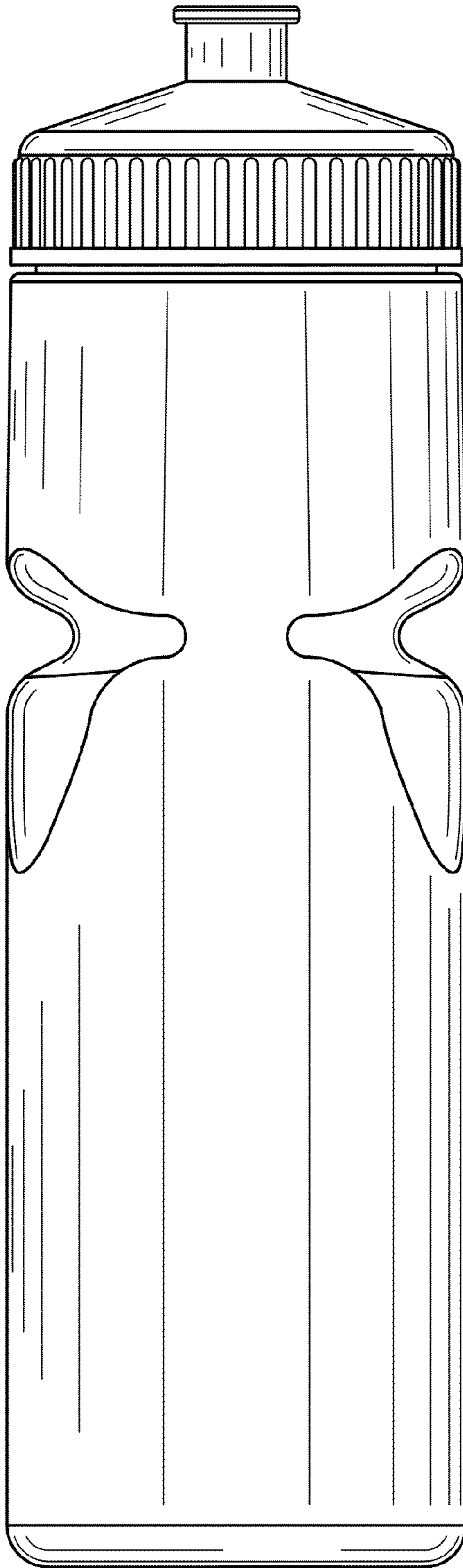


FIG. 6

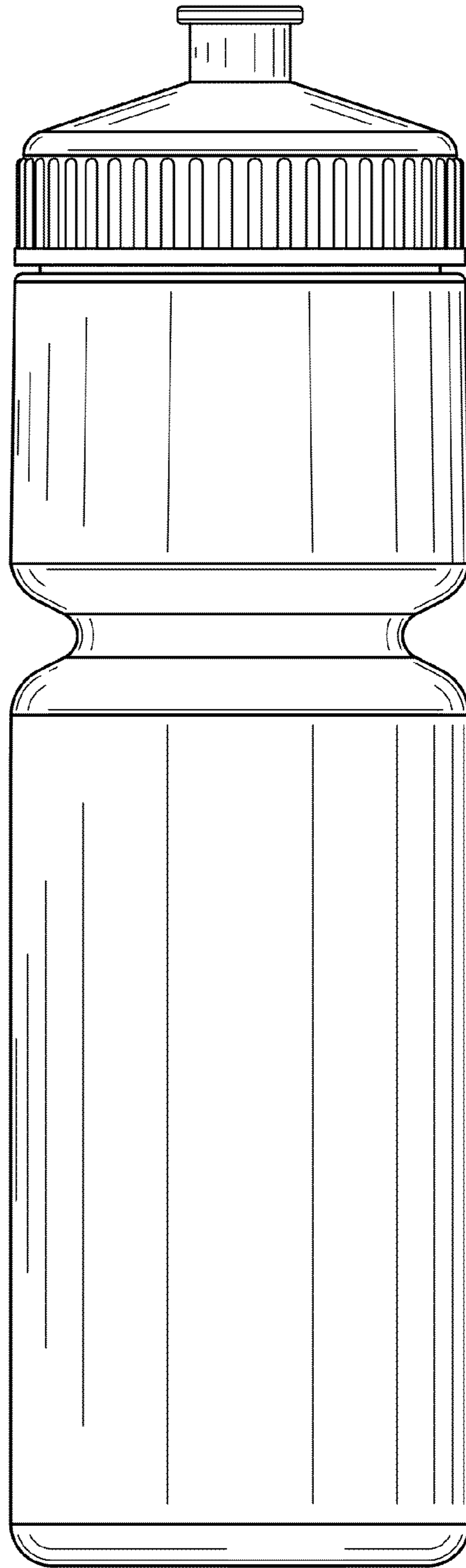


FIG. 7

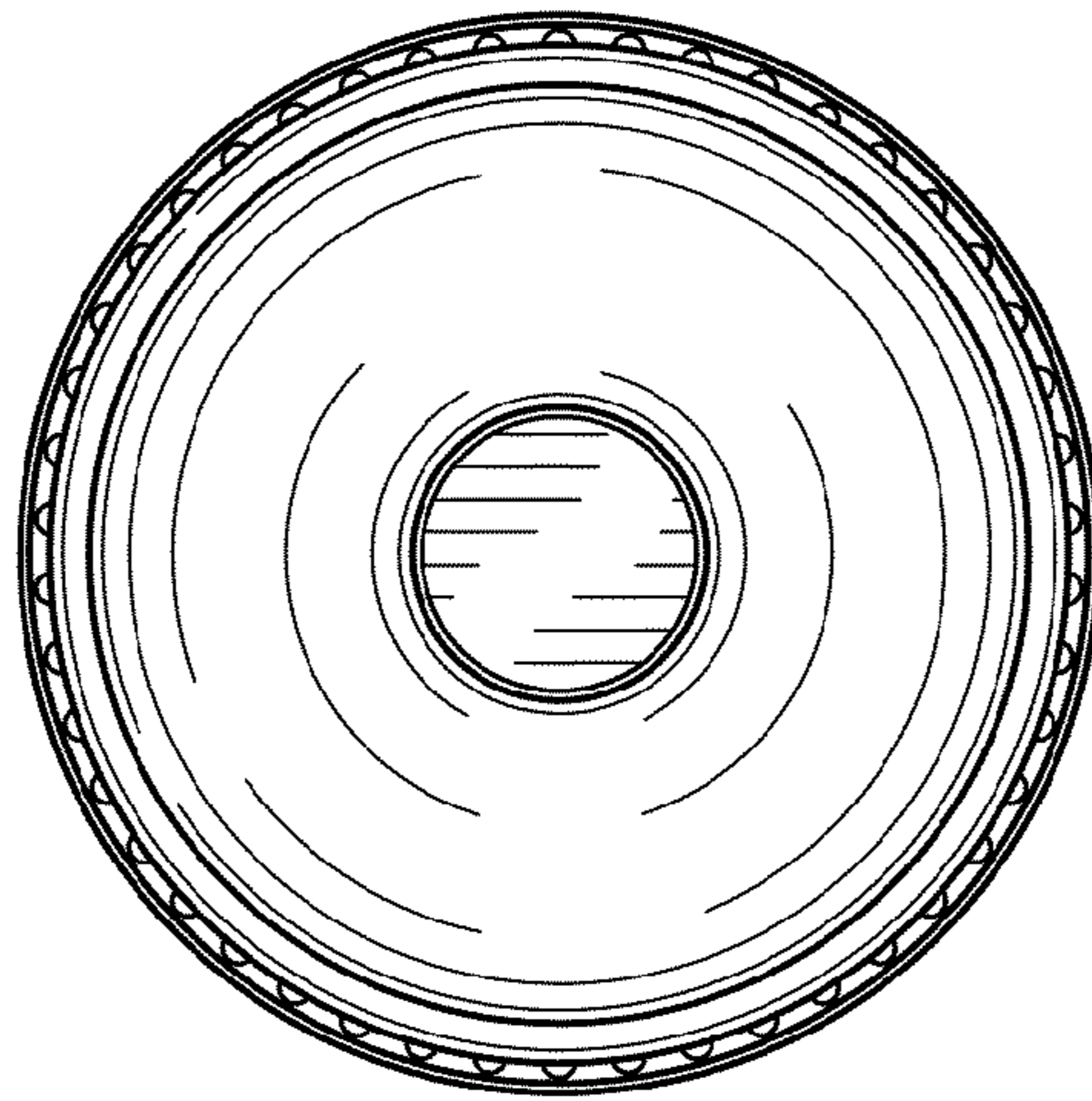


FIG. 8

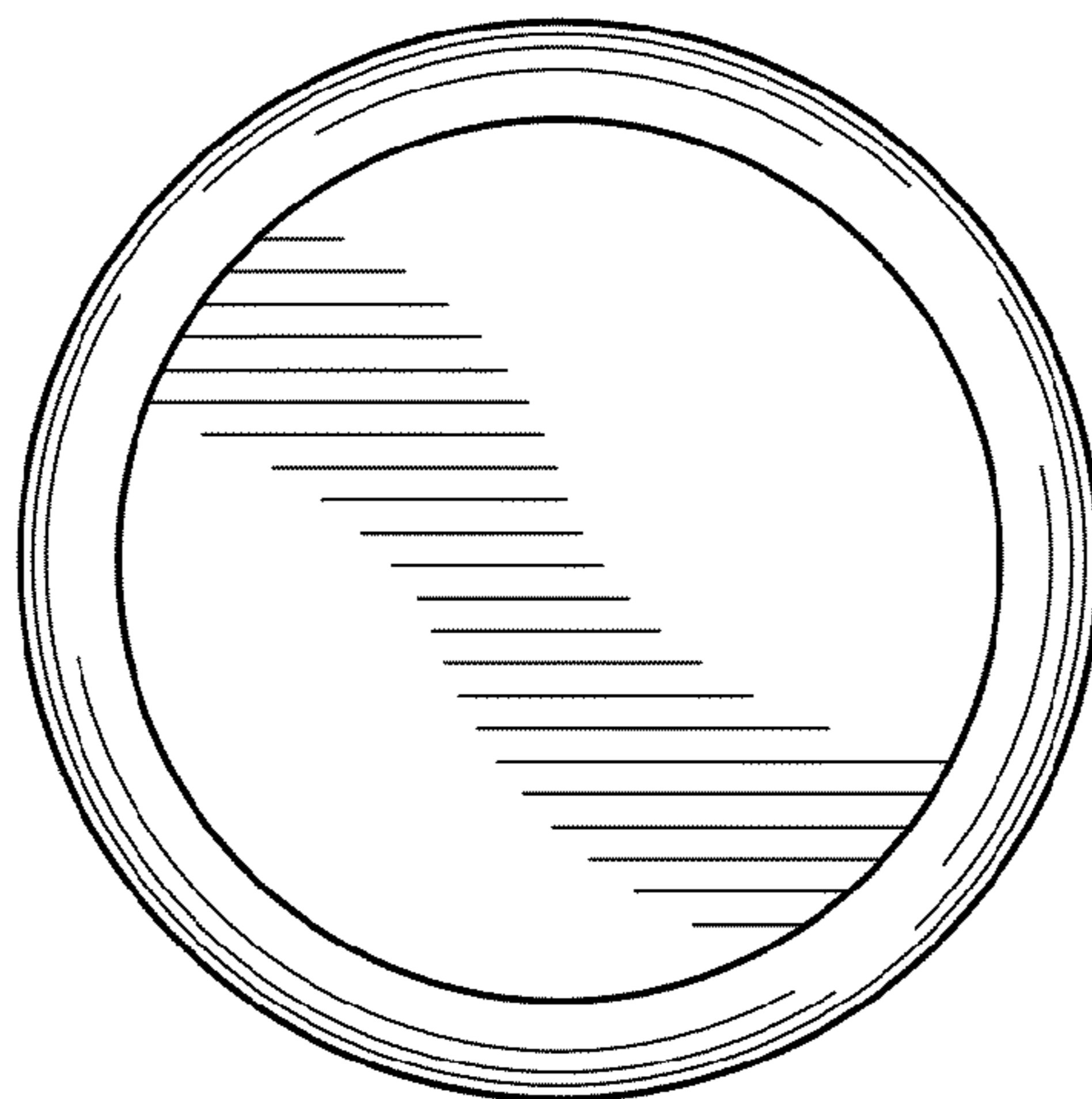


FIG. 9