



US00D714147S

(12) **United States Design Patent**
Lindstrom, Sr.

(10) **Patent No.:** **US D714,147 S**

(45) **Date of Patent:** **** Sep. 30, 2014**

(54) **CAP FOR A CONTAINER**

(75) Inventor: **Erik J. Lindstrom, Sr.**, Denver, CO (US)

(73) Assignee: **Schwoggle, Ltd.**, Denver, CO (US)

(**) Term: **14 Years**

(21) Appl. No.: **29/423,737**

(22) Filed: **Jun. 4, 2012**

(51) **LOC (10) Cl.** **09-07**

(52) **U.S. Cl.**
USPC **D9/453**

(58) **Field of Classification Search**

CPC A61J 7/0472; A61J 7/0481; A61J 2007/0436; A61J 7/0409; A61J 1/03; A61J 2007/0418; A61J 2007/049; A61J 2205/20; A61J 2205/30; A61J 2007/0454; A61J 2200/30; A61J 1/1412; A61J 2001/142; B65D 2251/09; B65D 41/3428; B65D 41/0442; B65D 41/065; B65D 2543/00092; B65D 2543/00296; B65D 39/08; B65D 53/02; B67D 2210/00131; B67D 1/0001
USPC D7/510, 900; D9/434, 435, 436, 438, D9/445, 452, 453, 454; D24/224; 215/200, 215/235, 236, 252, 254, 329, 355-364; 220/556

See application file for complete search history.

(56) **References Cited**

U.S. PATENT DOCUMENTS

D155,040 S 8/1949 Serra
D188,134 S 6/1960 Neubauer
D195,103 S 4/1963 Houghton
D214,305 S 6/1969 Hills
3,787,993 A 1/1974 Lyon
D236,433 S 8/1975 Strand

D249,330 S 9/1978 Pigeon
4,759,139 A 7/1988 Ricks
D297,308 S 8/1988 Lyons
D353,543 S 12/1994 Matsumoto
D382,806 S 8/1997 Wilson et al.
5,984,141 A 11/1999 Gibler
6,240,668 B1 6/2001 Clawson
D465,731 S * 11/2002 Brant et al. D9/453
6,667,936 B1 * 12/2003 Ditzig 368/10
D489,610 S * 5/2004 Miceli et al. D9/435
D499,649 S 12/2004 Olivares et al.
D513,181 S * 12/2005 Bloom et al. D9/453
D534,802 S * 1/2007 German D9/453
D539,608 S 4/2007 Lapsker
D584,619 S * 1/2009 Lohrman et al. D9/453
7,562,782 B2 7/2009 Yorita

(Continued)

OTHER PUBLICATIONS

U.S. Appl. No. 61/655,447, filed Jun. 4, 2012, E. J. Lindstrom.

(Continued)

Primary Examiner — Robert M Spear

Assistant Examiner — Marissa Cash

(74) *Attorney, Agent, or Firm* — Frijouf, Rust & Pyle, P.A.

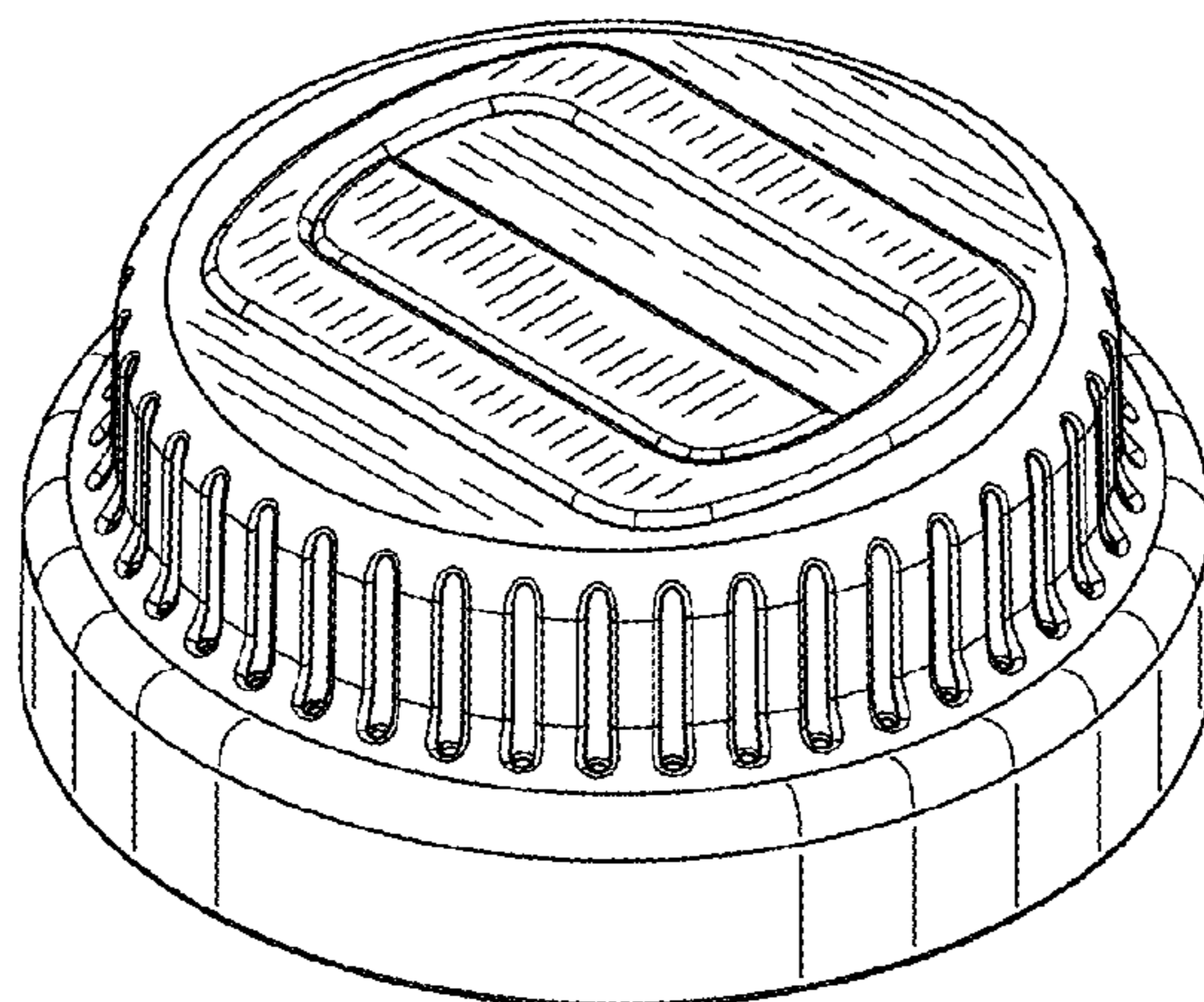
(57) **CLAIM**

The ornamental design for a cap for a container, as shown and described.

DESCRIPTION

FIG. 1 is a top perspective view of a cap for a container;
FIG. 2 is a bottom perspective view of FIG. 1;
FIG. 3 is a front view of FIG. 1;
FIG. 4 is a rear view of FIG. 1;
FIG. 5 is a top view of FIG. 1;
FIG. 6 is a bottom view of FIG. 1;
FIG. 7 is a right side view of FIG. 1; and,
FIG. 8 is a left side view of FIG. 1.

1 Claim, 4 Drawing Sheets



(56)

References Cited

U.S. PATENT DOCUMENTS

D598,286 S 8/2009 DeMarco
D603,707 S 11/2009 Lourenco et al.
D606,401 S * 12/2009 Kamath et al. D9/453
D615,864 S * 5/2010 Fuchs D9/453
D619,471 S 7/2010 Graunstadt et al.
7,854,104 B2 12/2010 Cronin et al.
D632,958 S * 2/2011 Fuchs D9/453
D634,200 S * 3/2011 Taber et al. D9/453
D687,299 S * 8/2013 Peykoff et al. D9/453
D693,685 S * 11/2013 Ramsey et al. D9/453
2004/0205989 A1 10/2004 Michaels
2004/0217139 A1 11/2004 Roth et al.

2006/0118435 A1 6/2006 Cronin et al.
2006/0118507 A1 6/2006 Feldman
2007/0039959 A1 2/2007 Choi et al.
2007/0251910 A1 11/2007 Mastin
2008/0000992 A1 1/2008 Mediare
2008/0116086 A1 5/2008 Hung
2010/0213085 A1 8/2010 Belnap
2012/0031871 A1* 2/2012 Molinaro et al. 215/44

OTHER PUBLICATIONS

U.S. Appl. No. 29/423,736, filed Jun. 4, 2012, E. J. Lindstrom.
U.S. Appl. No. 13/908,414, filed Jun. 3, 2013, E. J. Lindstrom.
U.S. Appl. No. 29/477,567, filed Dec. 23, 2013, E. J. Lindstrom.

* cited by examiner

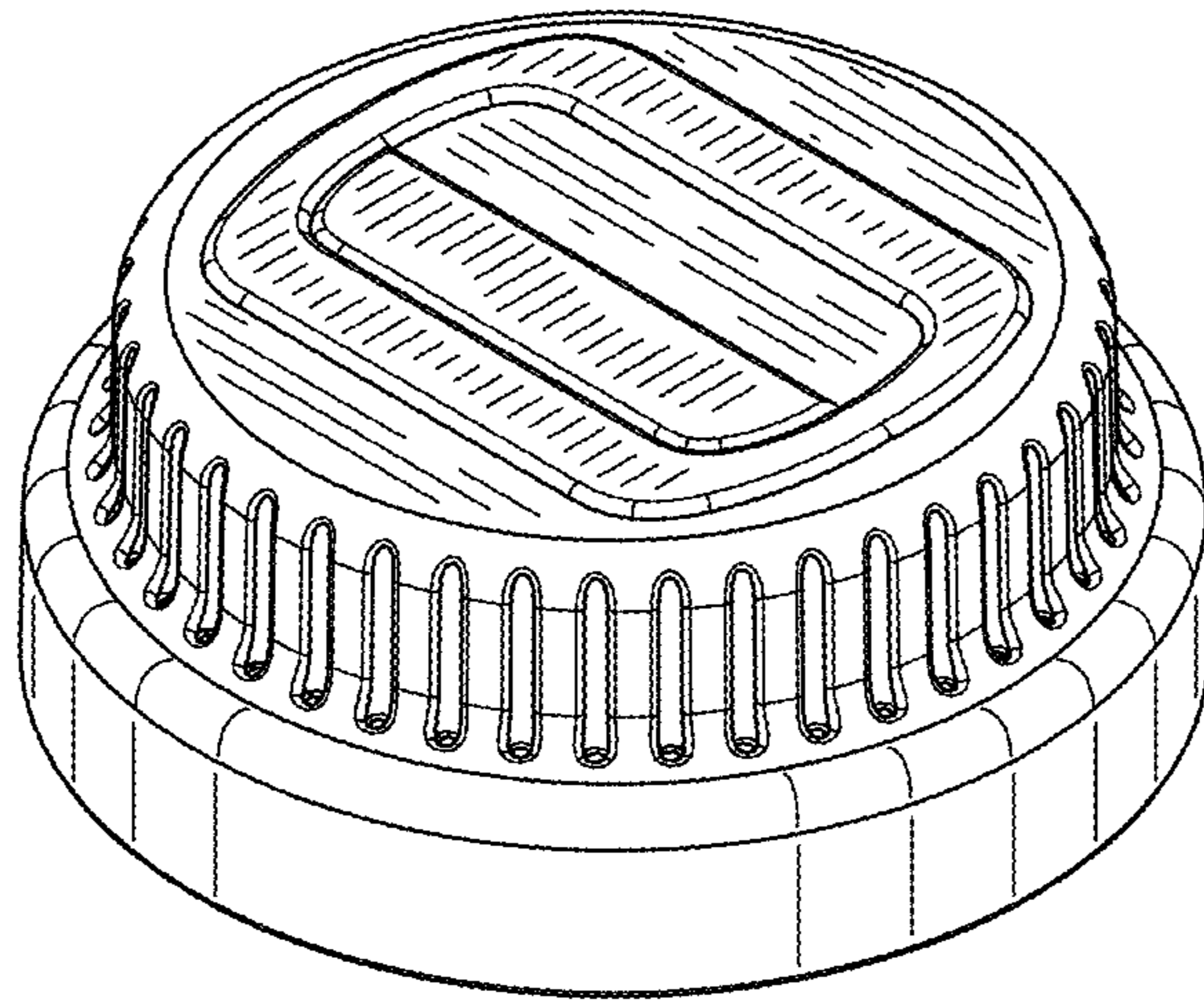


FIG. 1

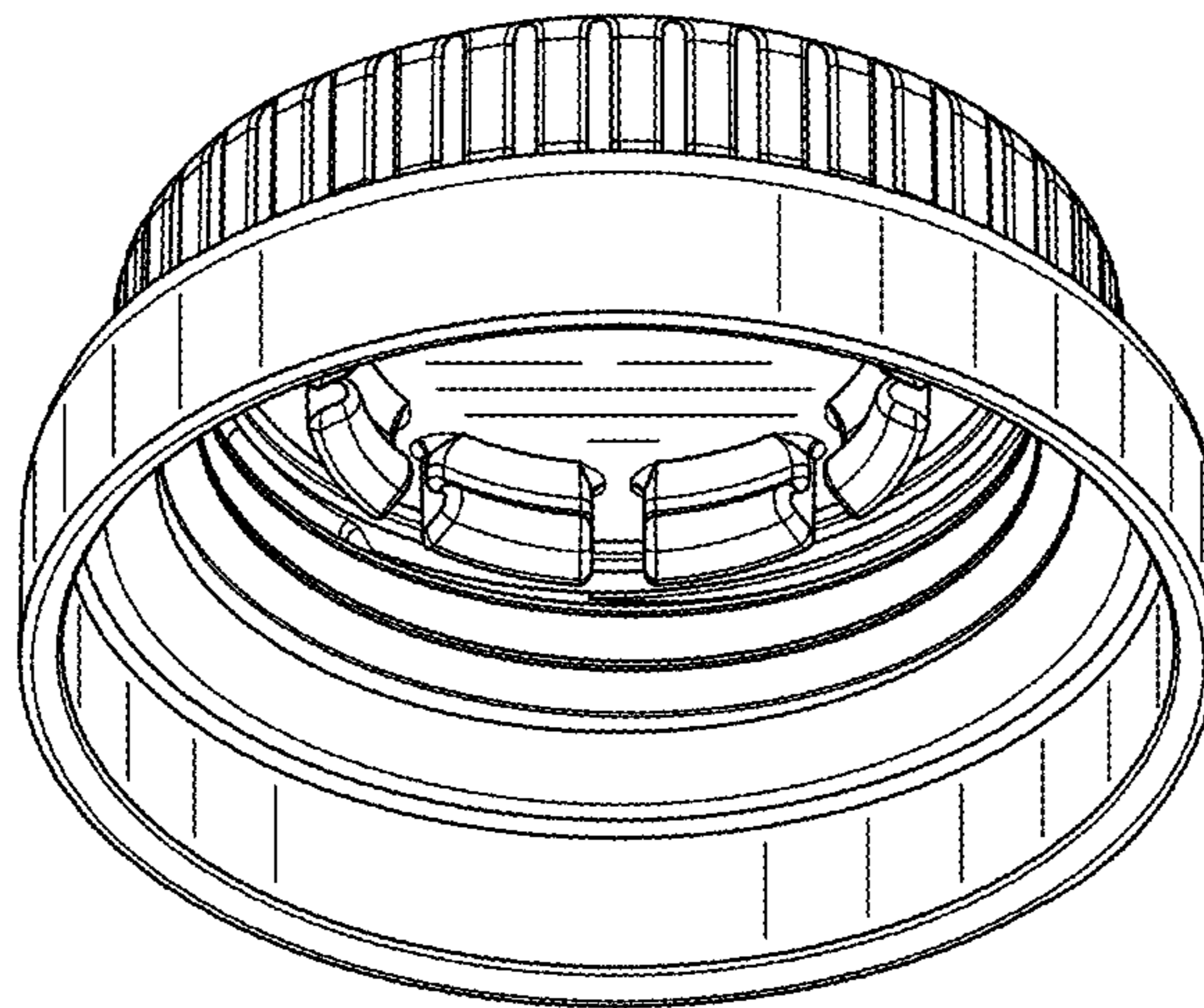


FIG. 2

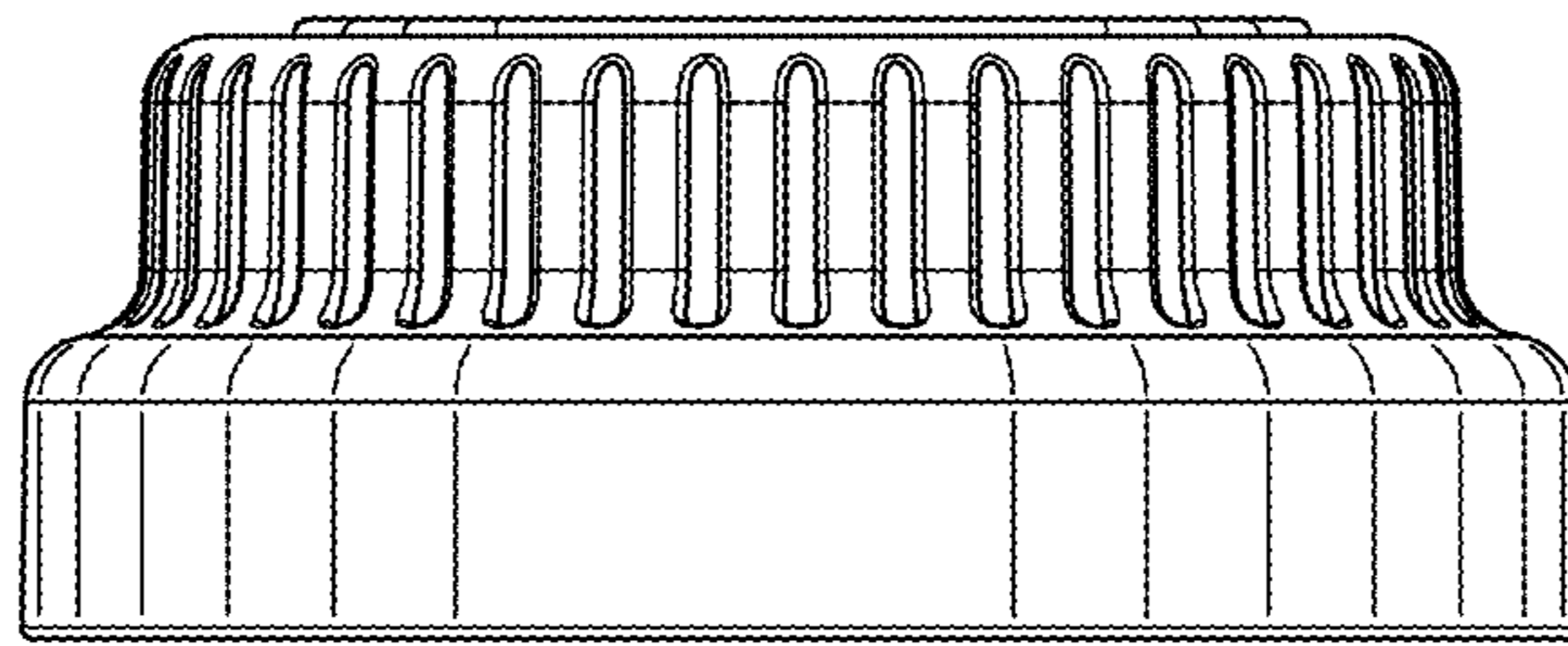


FIG. 3

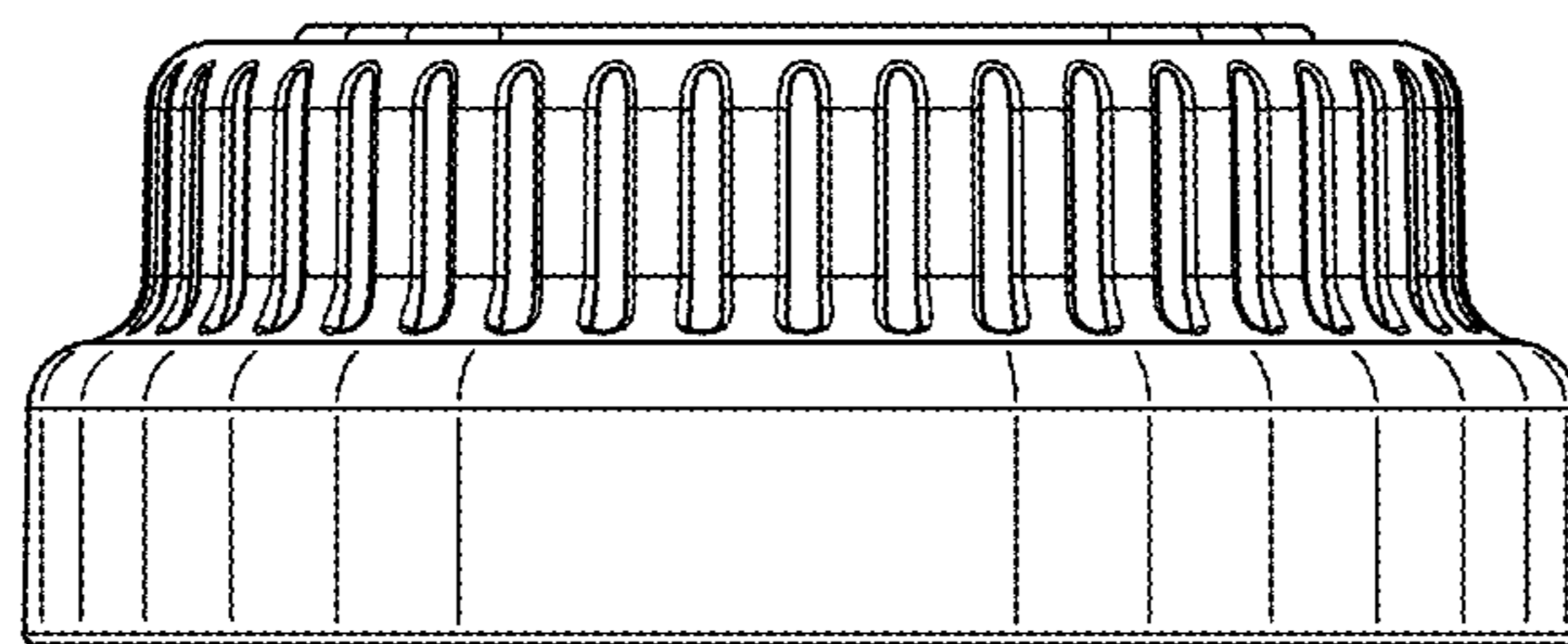


FIG. 4

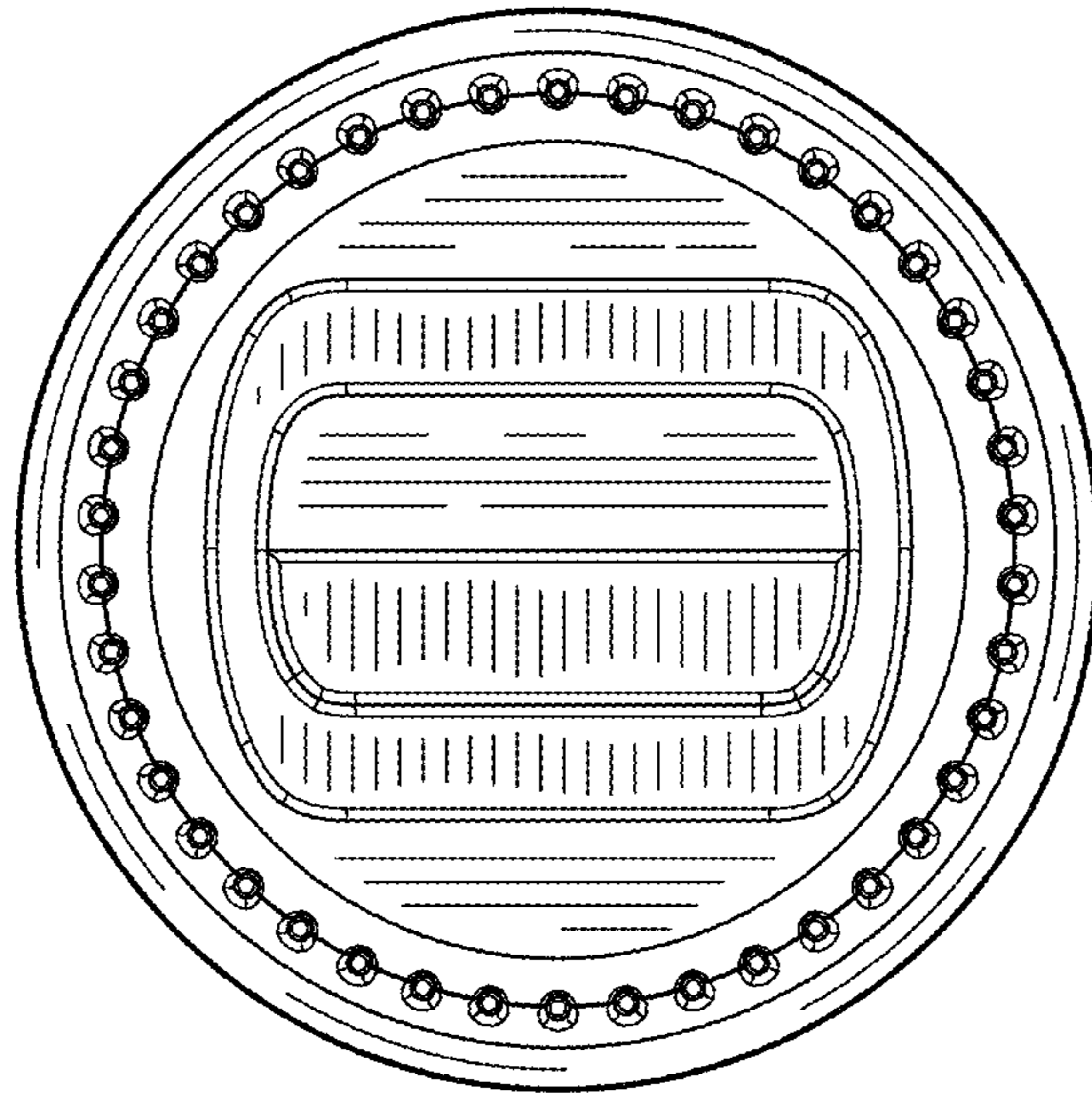


FIG. 5

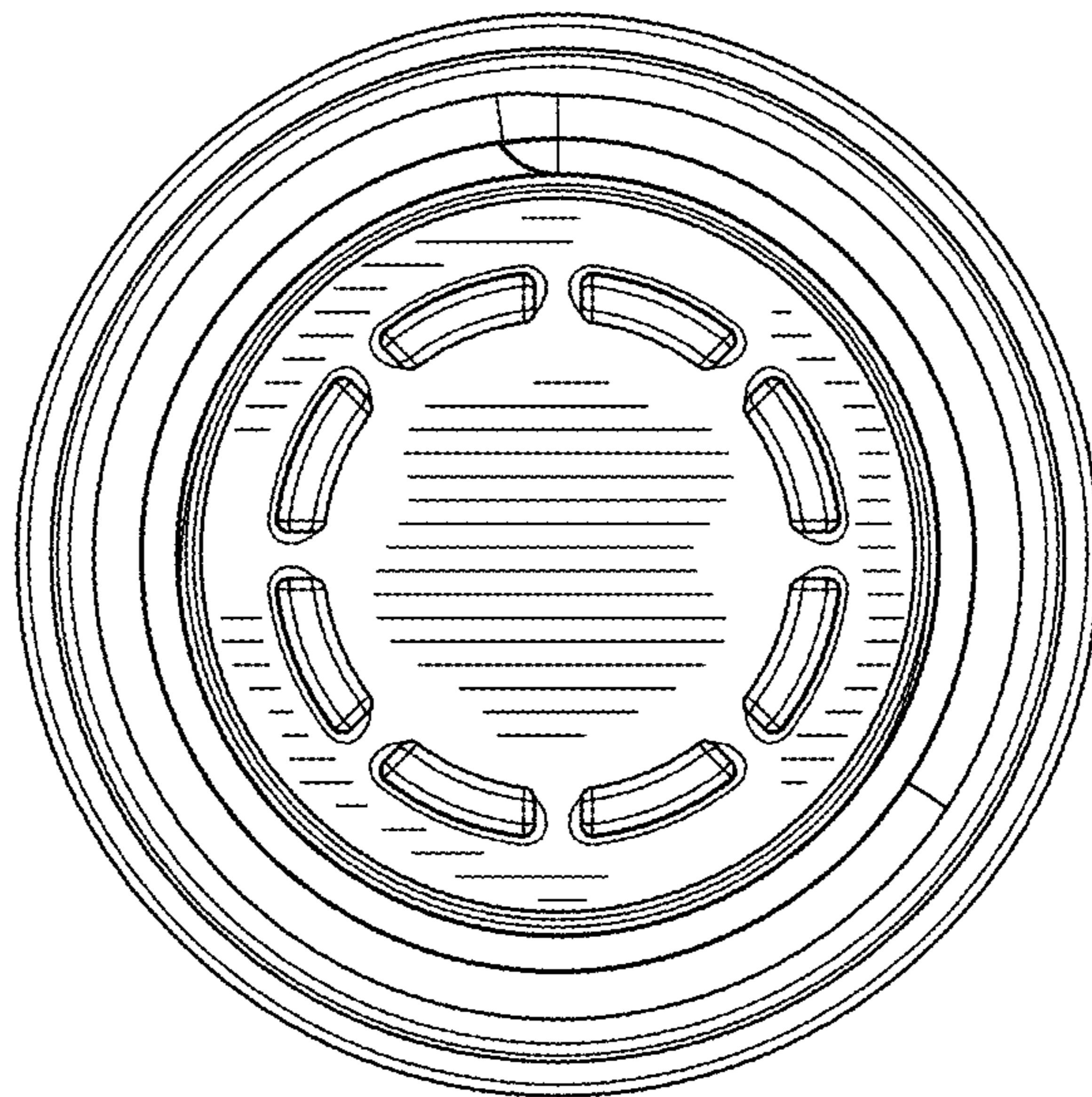


FIG. 6

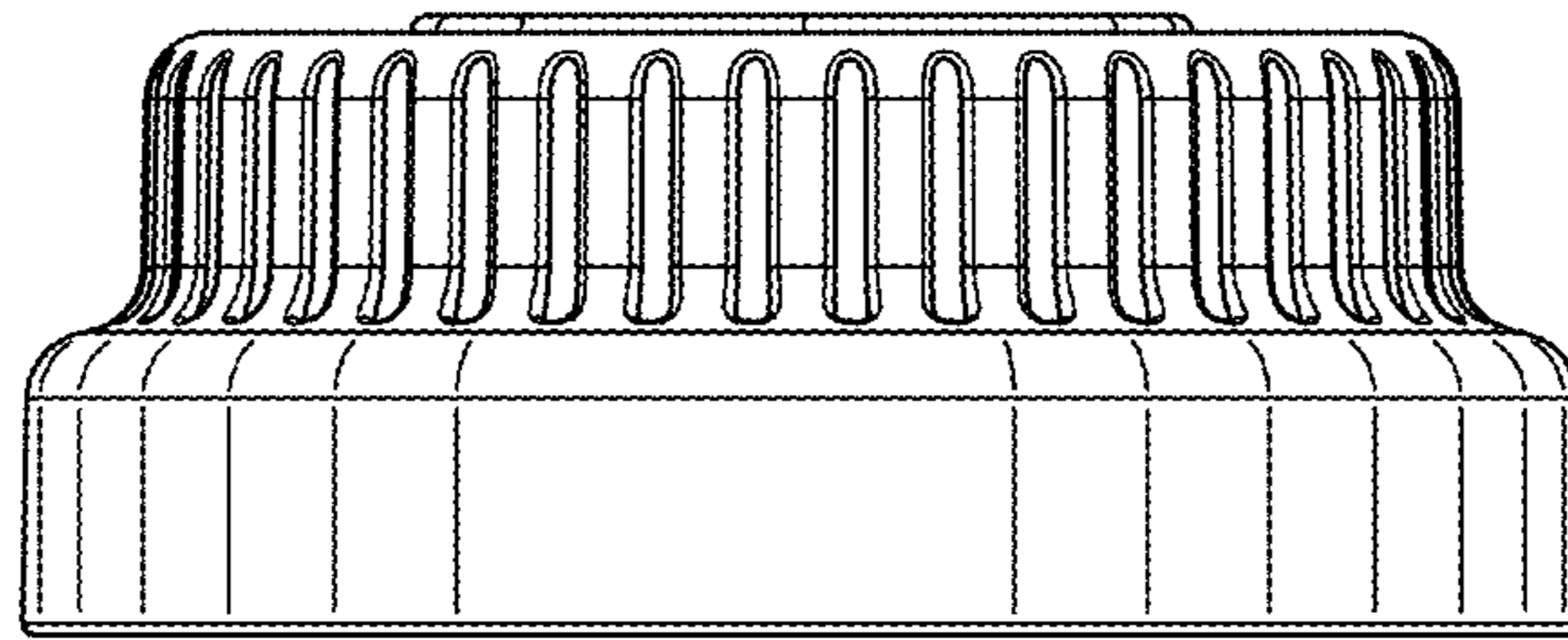


FIG. 7

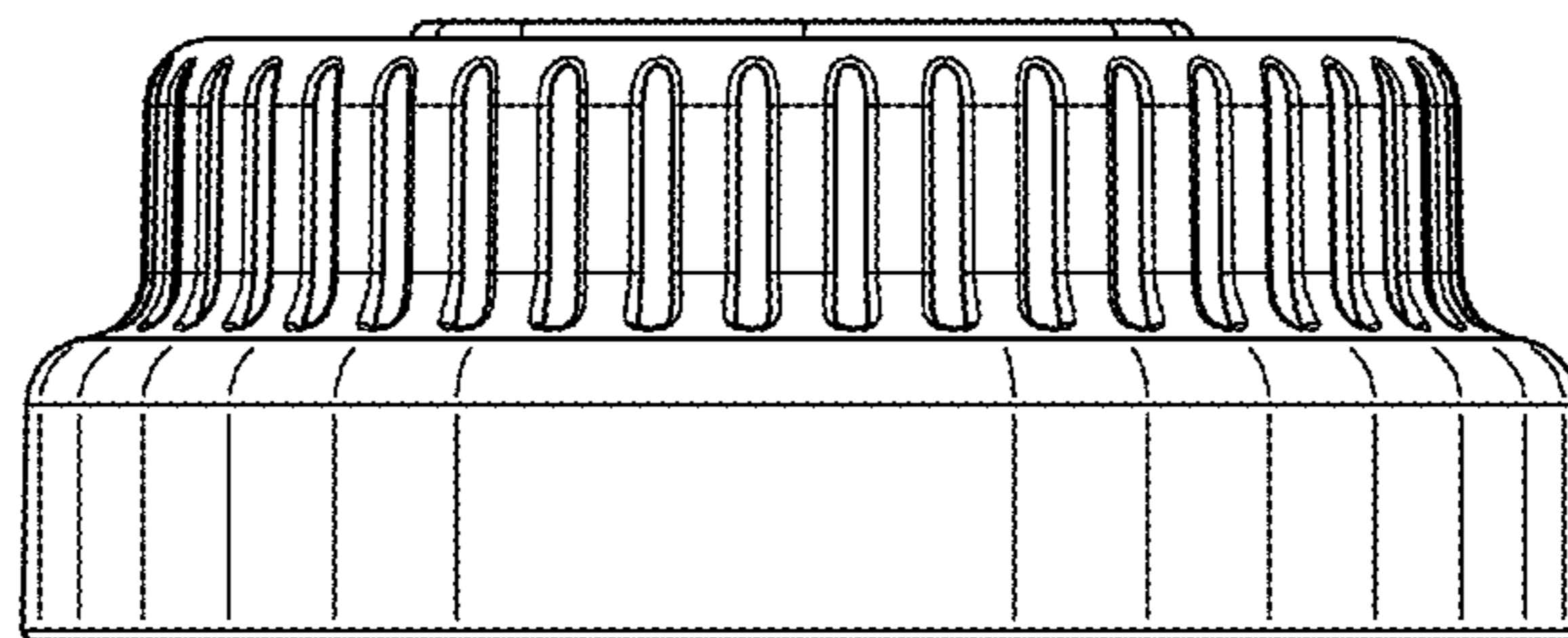


FIG. 8