



US00D714146S

(12) **United States Design Patent**
King

(10) **Patent No.:** **US D714,146 S**

(45) **Date of Patent:** **** Sep. 30, 2014**

(54) **CAP**

(75) **Inventor:** **Roger Milner King**, Buckinghamshire (GB)

(73) **Assignee:** **Beeson And Sons Limited**, Buckinghamshire (GB)

(**) **Term:** **14 Years**

(21) **Appl. No.:** **29/418,224**

(22) **Filed:** **Apr. 13, 2012**

(30) **Foreign Application Priority Data**

Jan. 20, 2011	(EM)	001940941-0001
Jan. 20, 2011	(EM)	001940941-0002
Jan. 20, 2011	(EM)	001940941-0003
Jan. 20, 2011	(EM)	001940941-0005
Jan. 20, 2011	(EM)	001940941-0006
Feb. 20, 2011	(EM)	001940941-0004

(51) **LOC (10) Cl.** **09-07**

(52) **U.S. Cl.**
USPC **D9/453**

(58) **Field of Classification Search**
USPC D7/510, 900; D9/434, 435, 436, 438,
D9/445, 452, 453, 454; D24/224; 215/200,
215/235, 236, 252, 254, 329, 355-364;
220/556

See application file for complete search history.

(56) **References Cited**

U.S. PATENT DOCUMENTS

D279,803 S *	7/1985	Manning	D21/443
D443,513 S *	6/2001	Goettner	D9/452

D457,431 S *	5/2002	Brant et al.	D9/452
D463,281 S *	9/2002	Druitt	D9/452
D500,677 S *	1/2005	Druitt	D9/452
D510,523 S *	10/2005	Pitman et al.	D9/452
D542,656 S *	5/2007	Szczesniak	D9/453
D606,401 S *	12/2009	Kamath et al.	D9/453
D613,162 S *	4/2010	Druitt	D9/453
D638,707 S *	5/2011	Stoffers et al.	D9/453
D673,852 S *	1/2013	Wood et al.	D9/453
D692,757 S *	11/2013	Concin et al.	D9/453
D693,683 S *	11/2013	Ramsey et al.	D9/453

* cited by examiner

Primary Examiner — Robert M Spear

Assistant Examiner — Marissa Cash

(74) *Attorney, Agent, or Firm* — Brian B. Shaw, Esq.;
Thomas B. Ryan; Harter Secrest & Emery PPL

(57) **CLAIM**

I claim the ornamental design for a cap, as shown and described.

DESCRIPTION

FIG. 1 is a top front perspective view of a cap in accordance with a first embodiment of this invention.

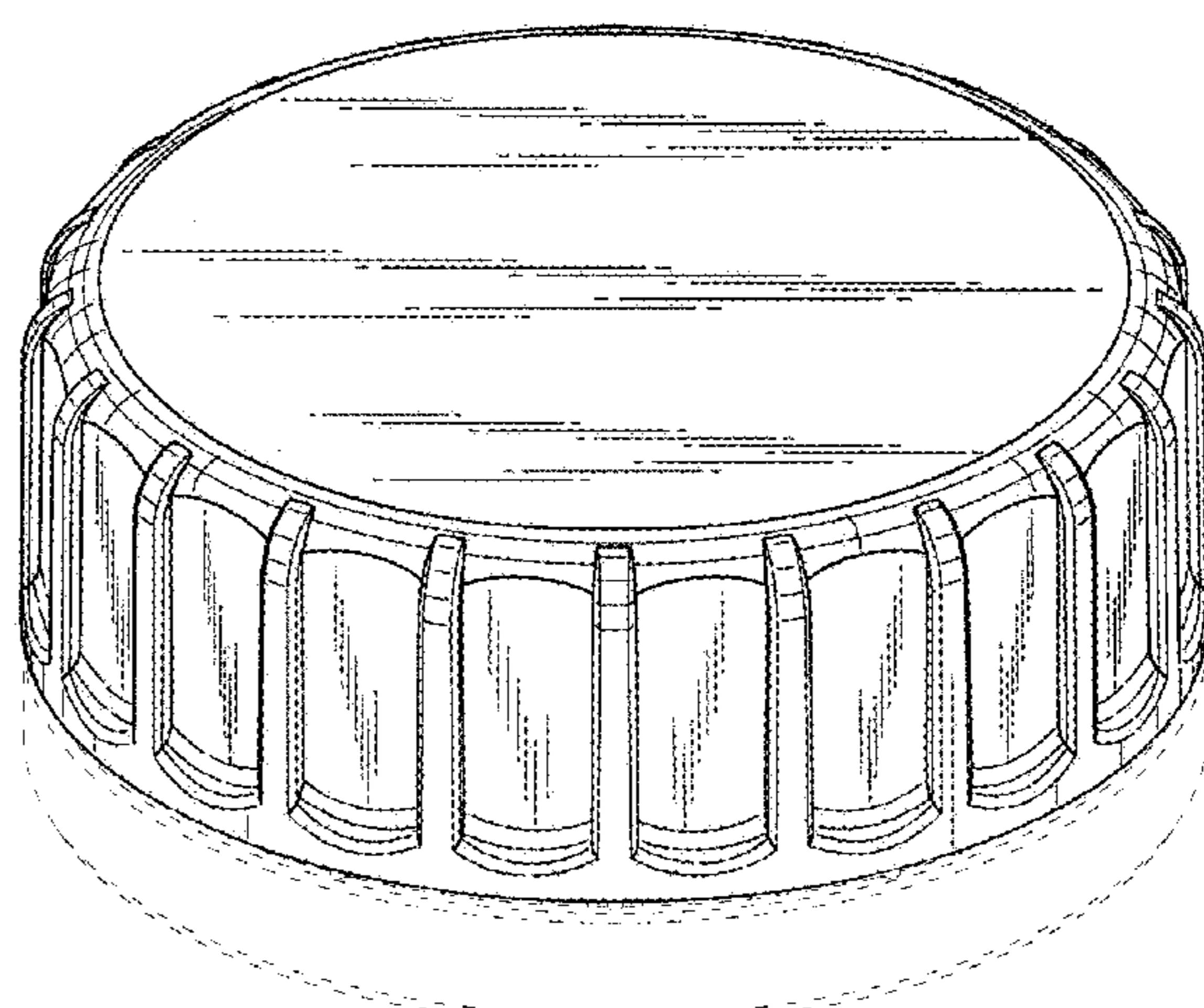
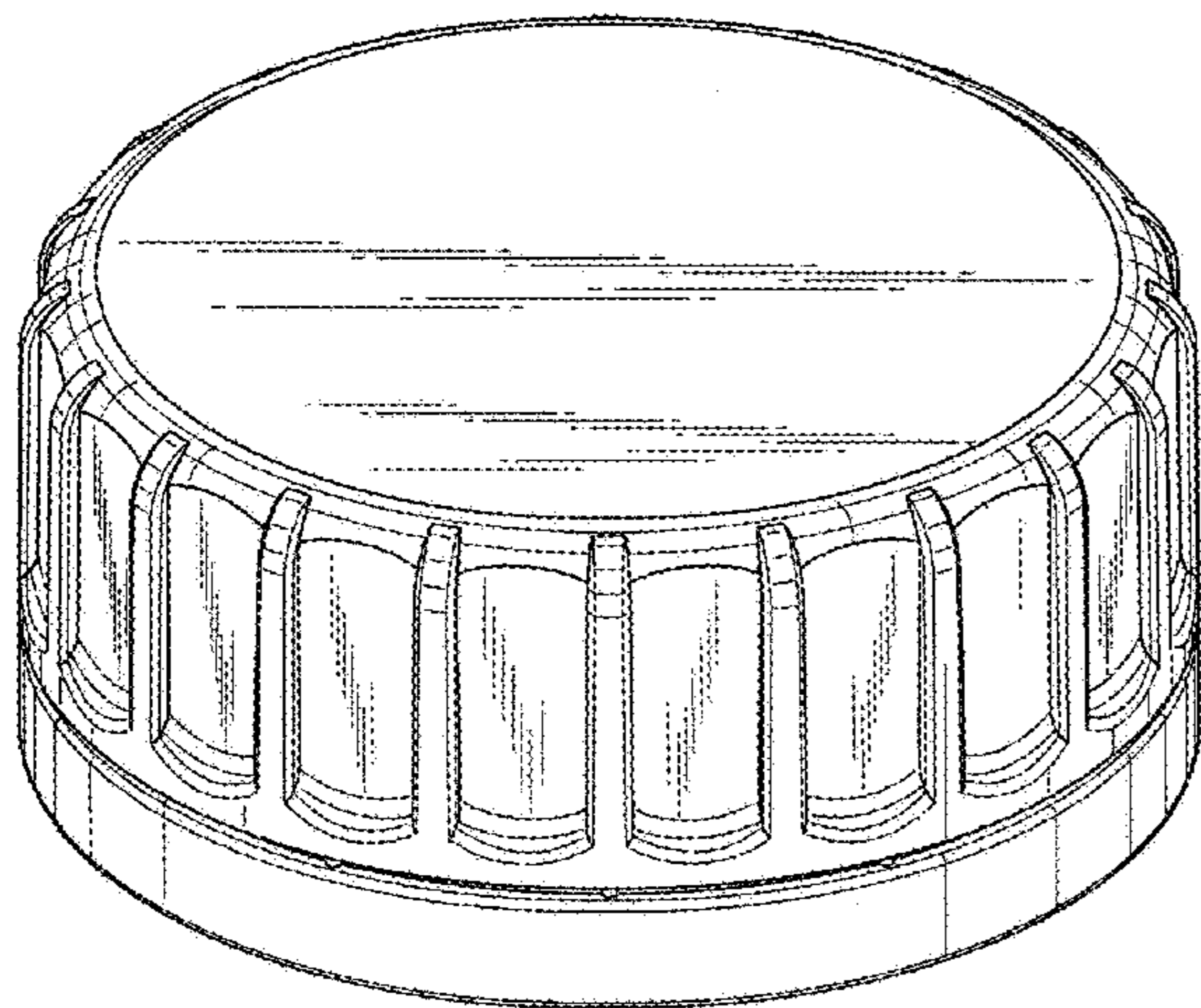
FIG. 2 is a front elevation thereof, the rear elevation and left and right side views being identical.

FIG. 3 is a top front perspective view of a cap in accordance with a second embodiment of this invention; and,

FIG. 4 is a front elevation thereof, the rear elevation and left and right side views being identical therewith.

The broken lines are included for the purpose of illustrating structural environment and form no part of the claimed design.

1 Claim, 2 Drawing Sheets



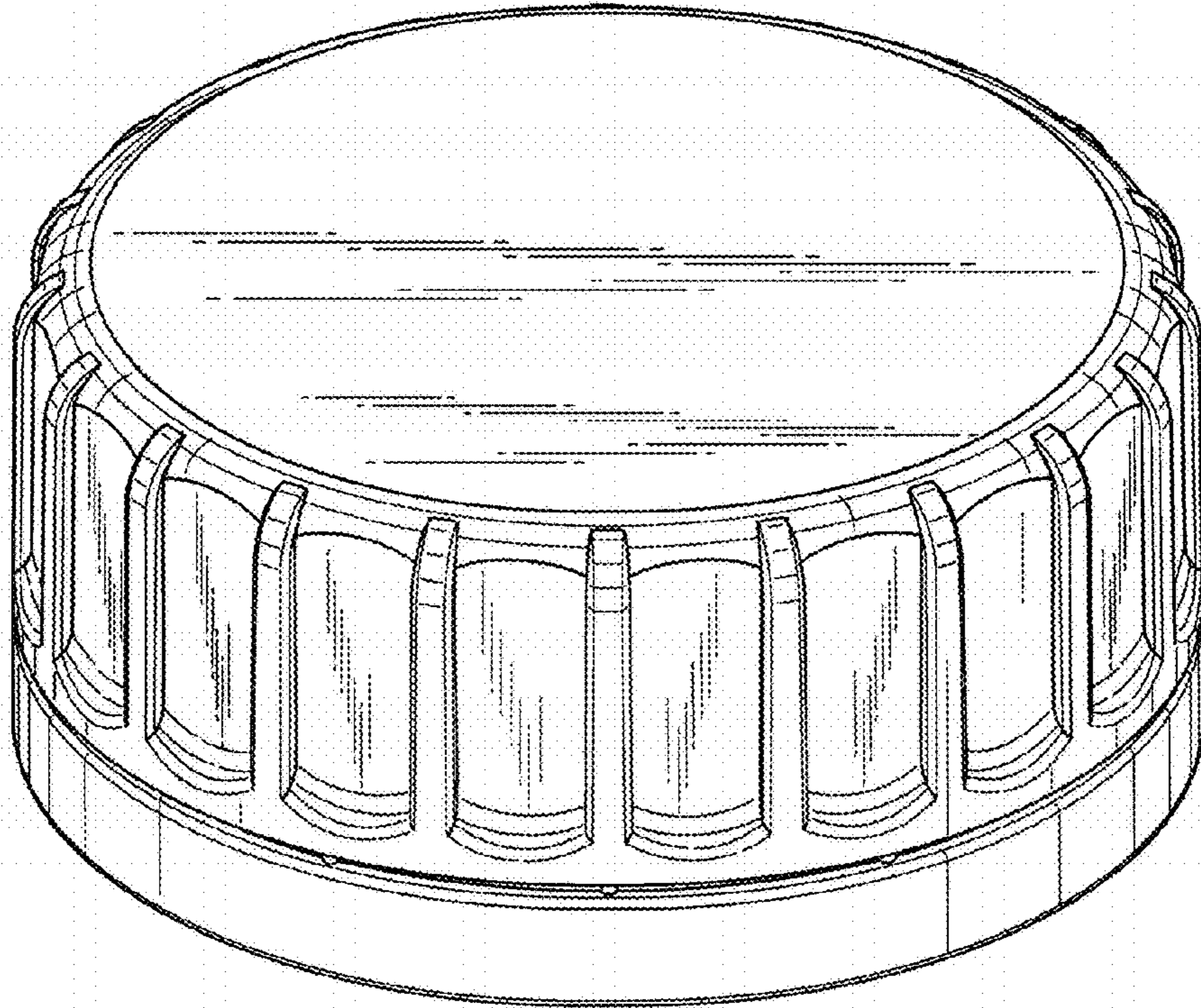


FIG. 1

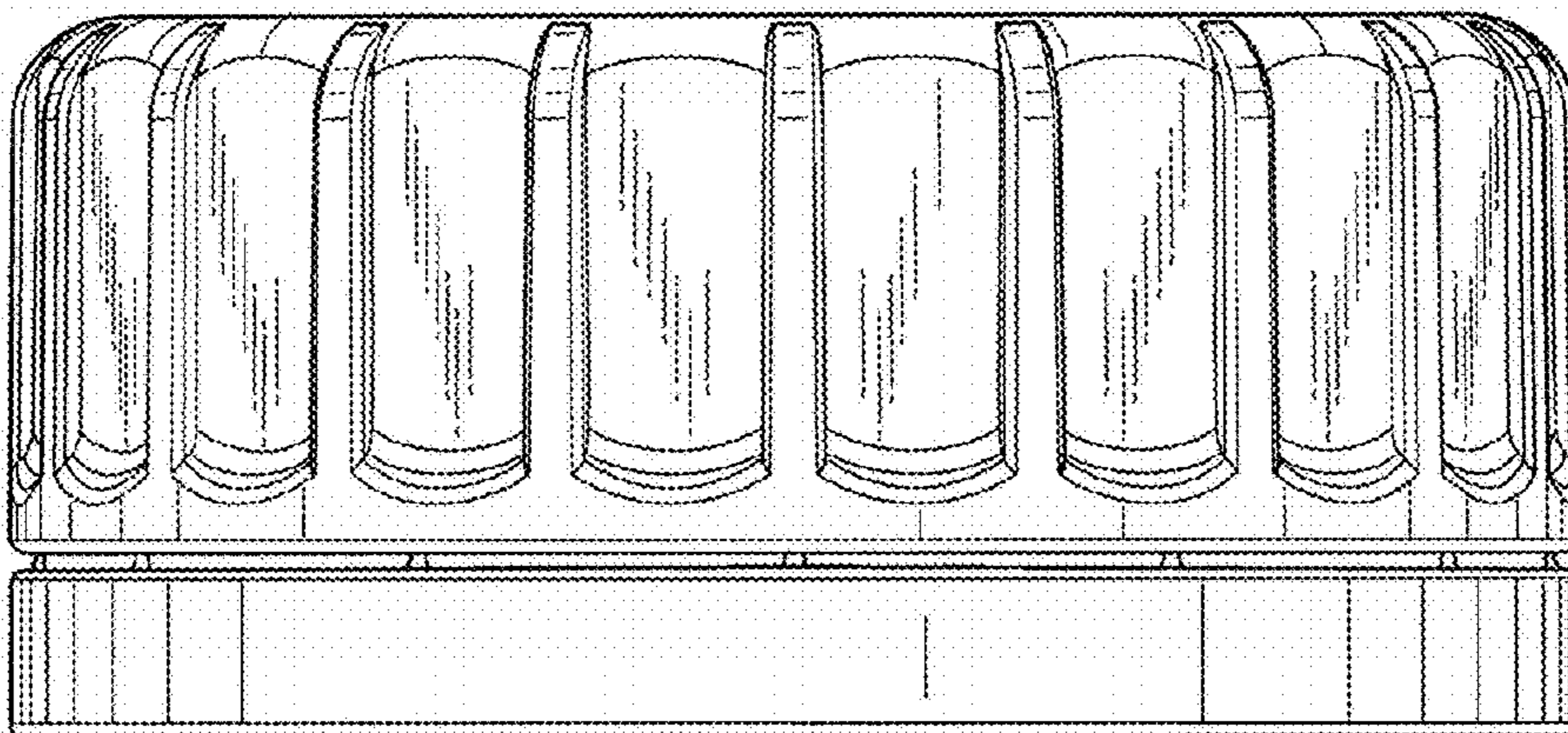


FIG. 2

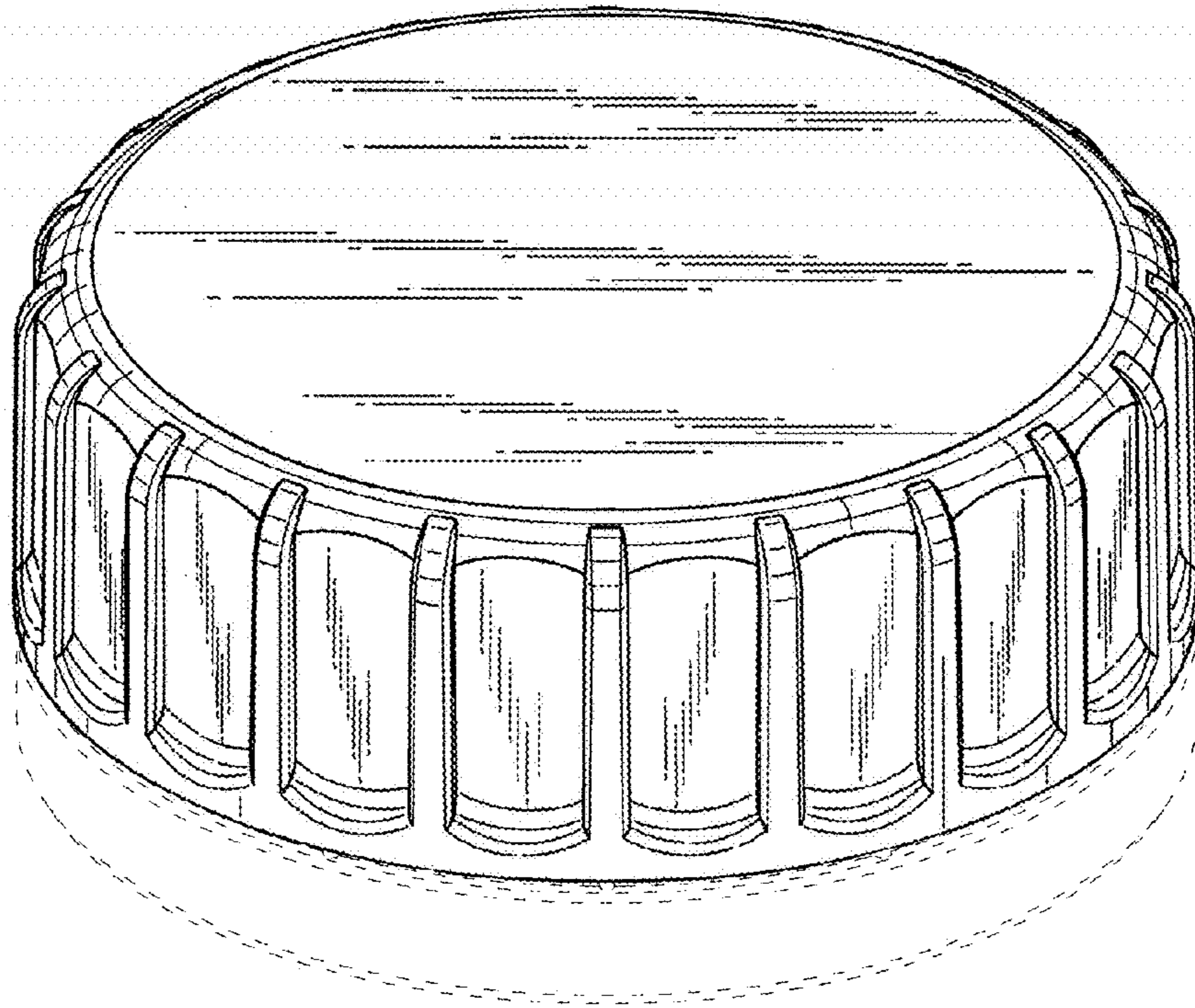


FIG. 3

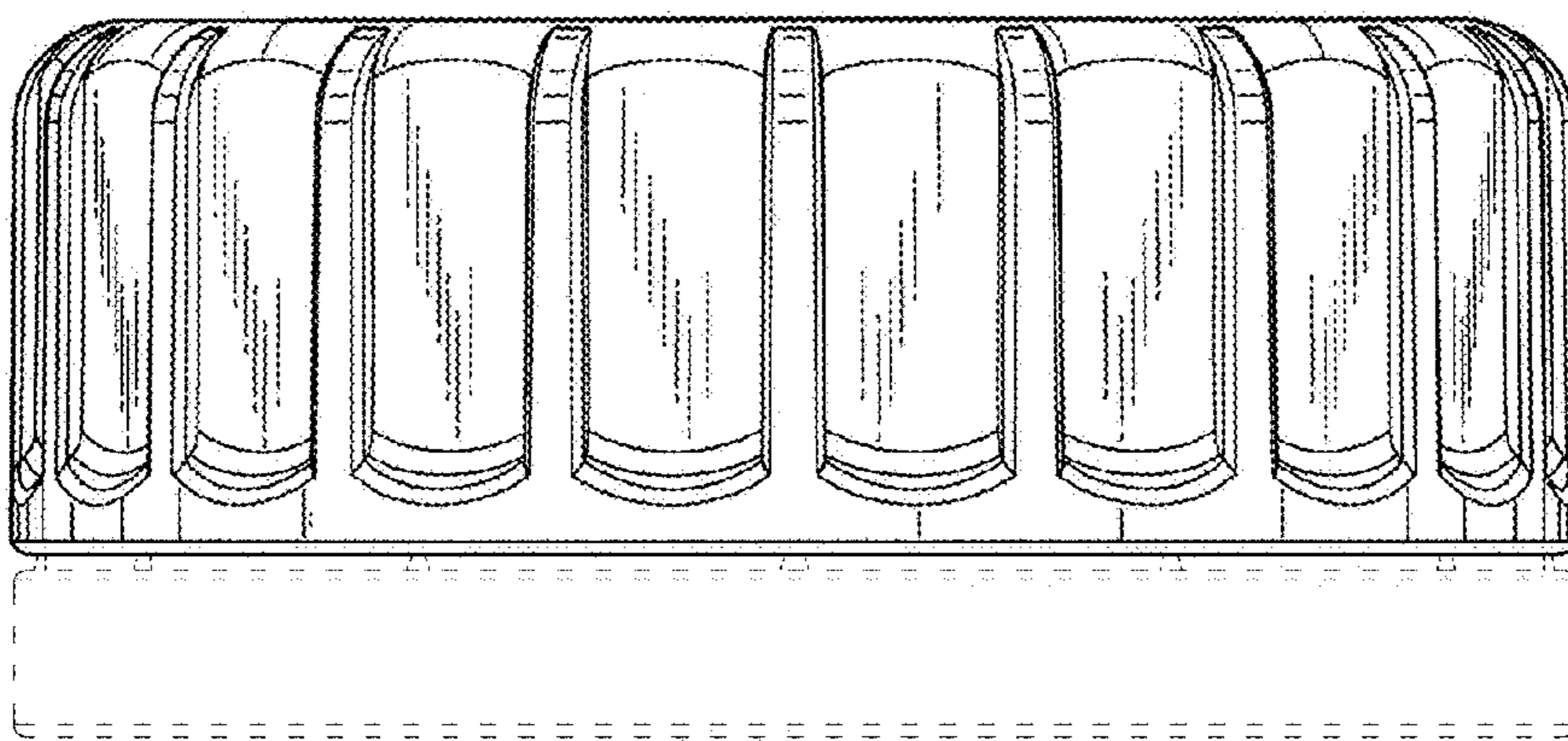


FIG. 4

UNITED STATES PATENT AND TRADEMARK OFFICE
CERTIFICATE OF CORRECTION

PATENT NO. : D714,146 S
APPLICATION NO. : 29/418224
DATED : September 30, 2014
INVENTOR(S) : Roger Milner King

Page 1 of 1

It is certified that error appears in the above-identified patent and that said Letters Patent is hereby corrected as shown below:

On the Title Page of the patent under the heading "Foreign Application Priority Data" and Item (30), please change the filing date for the first five listed priority applications from "Jan. 20, 2011" to --Nov. 1, 2011--.

Under the same heading and Item, please change the date for the sixth listed priority application from "Feb. 20, 2011" to --Nov. 1, 2011--.

Signed and Sealed this
Third Day of March, 2015



Michelle K. Lee
Deputy Director of the United States Patent and Trademark Office