



US00D714144S

(12) **United States Design Patent**
Vogel et al.

(10) **Patent No.:** **US D714,144 S**

(45) **Date of Patent:** **** Sep. 30, 2014**

(54) **CLOSURE FOR A CONTAINER**

2,108,063 A 2/1938 Hothersall
D120,154 S 4/1940 Carson
D120,155 S 4/1940 Carson
D136,002 S 7/1943 Mas

(71) Applicant: **Gateway Plastics, Inc.**, Mequon, WI (US)

(Continued)

(72) Inventors: **William C. Vogel**, Mequon, WI (US);
Terrence M. Parve, Menomonee Falls, WI (US); **Robert E. Proudfoot**, West Bend, WI (US)

FOREIGN PATENT DOCUMENTS

CA 1245601 11/1988
CH 491014 7/1970

(73) Assignee: **Gateway Plastics, Inc.**, Mequon, WI (US)

(Continued)

OTHER PUBLICATIONS

(**) Term: **14 Years**

U.S. Appl. No. 13/429,747, filed Mar. 26, 2012.

(21) Appl. No.: **29/446,001**

Primary Examiner — Robert M Spear

(22) Filed: **Feb. 19, 2013**

(74) *Attorney, Agent, or Firm* — Foley & Lardner LLP

Related U.S. Application Data

(62) Division of application No. 29/416,677, filed on Mar. 26, 2012, now Pat. No. Des. 679,181.

(51) **LOC (10) Cl.** **09-07**

(52) **U.S. Cl.**

USPC **D9/443**; D9/447

(58) **Field of Classification Search**

USPC D9/452, 439, 424, 428, 434, 435, 443,
D9/454, 504, 529, 746, 763, 772;
D7/392.1, 540, 629; D34/11;
D27/183-193; 220/711-717, 685, 658,
220/4.24, 4.23, 377, 309.1, 296, 284, 260,
220/258.5, 203.09; 215/347, 321, 307;
138/96 R; D13/119

See application file for complete search history.

(56) **References Cited**

U.S. PATENT DOCUMENTS

847,726 A 3/1907 Brannon
1,820,817 A 8/1931 McRae
2,102,440 A 12/1937 Sebell

(57) **CLAIM**

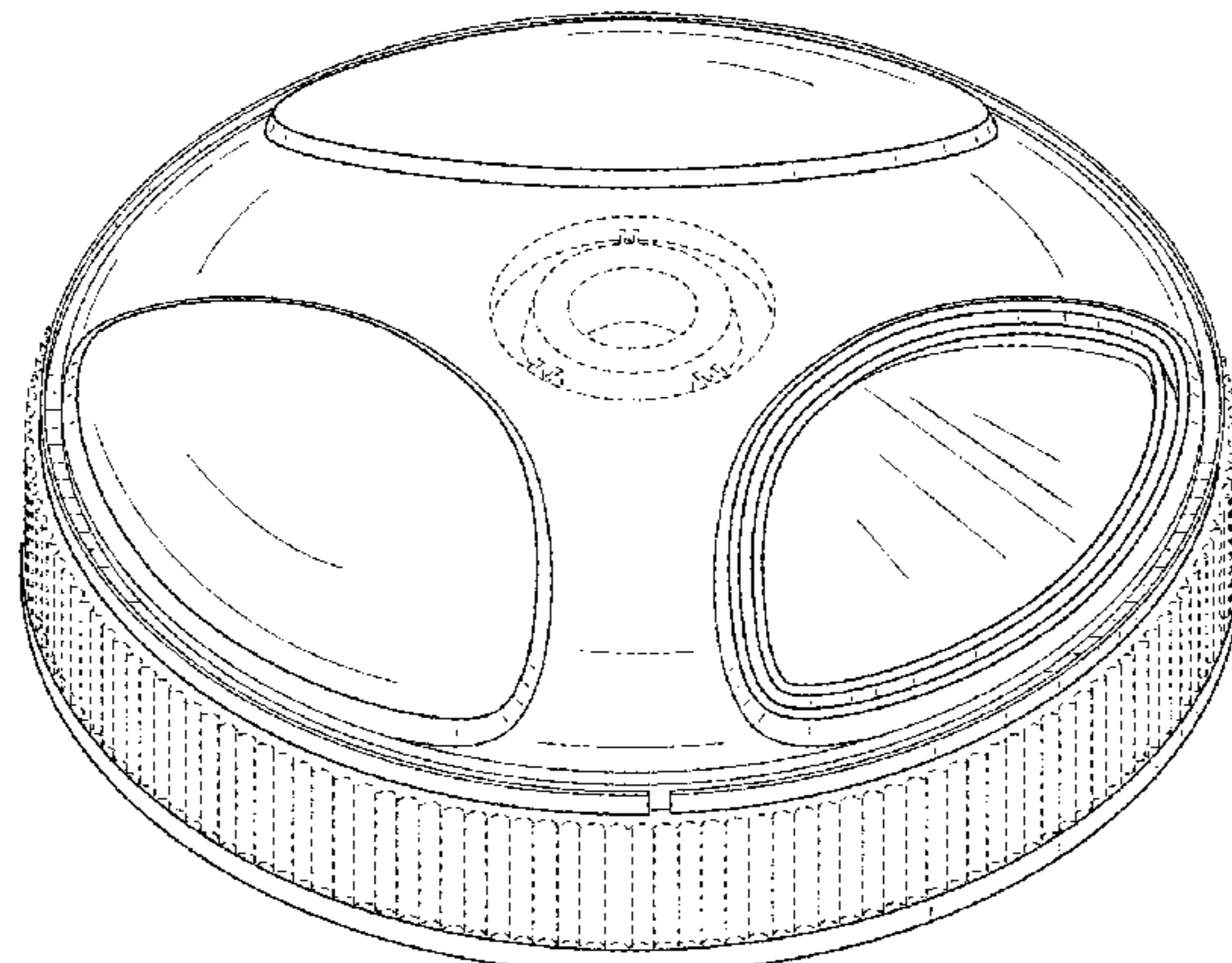
We claim the ornamental design for a closure for a container, as shown and described.

DESCRIPTION

FIG. 1 is a top perspective view of an embodiment of the claimed design;
FIG. 2 is another top perspective view of the claimed design of FIG. 1;
FIG. 3 is a top plan view of the claimed design of FIG. 1;
FIG. 4 is a bottom plan view of the claimed design of FIG. 1;
FIG. 5 is a first elevation view of the claimed design of FIG. 1; and,
FIG. 6 is a second elevation view of the claimed design of FIG. 1.

The ornamental design which is claimed is shown in solid lines in the drawings. The broken lines in the drawings are included for the purpose of illustrating subject matter that forms no part of the claimed design.

1 Claim, 4 Drawing Sheets



(56)

References Cited

U.S. PATENT DOCUMENTS

2,687,157 A	8/1954	Cowan	D272,807 S	2/1984	Ruhl
2,778,533 A	1/1957	Savary	4,457,458 A	7/1984	Heinol
2,796,191 A	6/1957	Belanger	4,489,864 A	12/1984	Davis
2,826,343 A	3/1958	Albiani	D276,981 S	1/1985	Cleevly
2,894,654 A	7/1959	Lohrer	D277,458 S	2/1985	Negggers
2,961,133 A	11/1960	Ankney	4,503,991 A	3/1985	Joyce
3,013,308 A	12/1961	Armour	D278,602 S	4/1985	Rosenstein
3,018,931 A	1/1962	Westgate	4,533,058 A	8/1985	Uhlig
3,033,407 A	5/1962	Isele-Aregger	4,538,731 A	9/1985	Cillario
D193,121 S	6/1962	Wickman	4,541,541 A	9/1985	Hickman et al.
3,059,816 A	10/1962	Goldstein	4,545,495 A	10/1985	Kinsley
3,110,410 A	11/1963	Pehr	4,545,508 A	10/1985	Cribb et al.
3,115,994 A	12/1963	Grady	4,573,600 A	3/1986	Dubach
3,117,701 A	1/1964	Stull	4,610,371 A	9/1986	Karkiewicz
3,131,824 A	5/1964	Van Baarn	4,611,725 A	9/1986	Kacalieff
3,135,456 A	6/1964	Palazzolo	4,629,081 A	12/1986	McLaren
3,143,256 A	8/1964	Lazure et al.	4,643,881 A	2/1987	Alexander et al.
3,155,285 A	11/1964	Van Baam	4,648,528 A	3/1987	LaBarge et al.
D200,270 S	2/1965	Waterman	4,658,980 A	4/1987	Lindstrom
3,180,537 A	4/1965	Collins	D291,411 S	8/1987	Crawford
3,181,746 A	5/1965	Tupper	4,693,399 A	9/1987	Hickman et al.
D204,509 S	4/1966	Waterman	D292,882 S	11/1987	Gross
3,262,606 A	7/1966	Waterman	4,714,181 A	12/1987	Kozlowski et al.
3,322,308 A	5/1967	Foster	4,718,567 A	1/1988	La Vange
3,323,671 A	6/1967	Minarik et al.	4,723,693 A	2/1988	DeCoster
3,351,242 A	11/1967	Lodding et al.	4,724,977 A	2/1988	Cleevly et al.
3,412,890 A	11/1968	Rich	4,726,091 A	2/1988	Joyce
3,486,665 A	12/1969	Lacroce	4,730,731 A	3/1988	Allison
3,499,588 A	3/1970	Bartilson et al.	4,733,794 A	3/1988	Kent
3,542,235 A	11/1970	Hidding	4,735,334 A	4/1988	Abbott
3,563,426 A	2/1971	Bartilson	4,735,335 A	4/1988	Torterotot
3,629,901 A	12/1971	Wolf	4,739,906 A	4/1988	LoTurco
3,651,992 A	3/1972	Hazard	D296,081 S	6/1988	Kuboshima
3,675,812 A	7/1972	Foster	4,778,071 A	10/1988	Fillmore
3,782,583 A	1/1974	Abbey	4,792,054 A	12/1988	Weidman
3,851,812 A	12/1974	Bittel	4,793,501 A	12/1988	Beck
3,860,135 A	1/1975	Yung et al.	4,793,502 A	12/1988	Beck
3,881,639 A	5/1975	Herip	4,813,560 A	3/1989	Begley
3,907,156 A	9/1975	Weatherhead, III	4,823,995 A	4/1989	Lewis
3,912,128 A	10/1975	Ziemann et al.	4,838,441 A	6/1989	Chernack
3,933,271 A	1/1976	McGhie	4,848,612 A	7/1989	Beck
3,948,415 A	4/1976	Debenham	4,854,473 A	8/1989	Dubach
3,966,080 A	6/1976	Bittel	4,881,668 A	11/1989	Kitterman et al.
3,998,354 A	12/1976	Song	D305,206 S	12/1989	Hickman et al.
4,022,352 A	5/1977	Pehr	4,898,292 A	2/1990	VerWeyst et al.
4,029,202 A	6/1977	Lasich et al.	D306,701 S	3/1990	Beck
4,040,595 A	8/1977	Tecco	4,915,268 A	4/1990	Lay et al.
4,082,201 A	4/1978	Bittel	4,919,286 A	4/1990	Agbay, Sr.
4,106,672 A	8/1978	Tecco et al.	4,936,494 A	6/1990	Weidman
4,127,221 A	11/1978	Vere	4,940,167 A	7/1990	Fillmore et al.
4,163,496 A	8/1979	Dogliotti	4,955,513 A	9/1990	Bennett
4,170,315 A	10/1979	Dubach et al.	4,984,716 A	1/1991	Beck
4,177,932 A	12/1979	Cleevly	4,993,606 A	2/1991	Bolen et al.
4,183,457 A	1/1980	Loughley et al.	D315,307 S	3/1991	Kanyer
4,223,814 A	9/1980	Sneider	5,007,555 A	4/1991	Beck
4,236,653 A	12/1980	Gach	5,020,686 A	6/1991	Dutt
D258,052 S	1/1981	Firanzi	D318,778 S	8/1991	Fiore et al.
4,253,587 A	3/1981	Otterson	5,042,658 A	8/1991	Tiramani et al.
D258,869 S	4/1981	Firanzi	5,048,730 A	9/1991	Forsyth et al.
4,274,563 A	6/1981	Otterson	D320,746 S	10/1991	Bolen et al.
4,280,636 A	7/1981	Lewis	D321,137 S	10/1991	Hofmann et al.
4,284,200 A	8/1981	Bush et al.	5,067,624 A	11/1991	Thanisch
4,291,818 A	9/1981	Nozawa et al.	5,083,671 A	1/1992	Hayes
4,308,979 A	1/1982	Otterson	5,085,331 A	2/1992	Groya et al.
4,326,649 A	4/1982	Marino et al.	5,115,931 A	5/1992	Dubach
D265,060 S	6/1982	Blank	5,139,165 A	8/1992	Hara
4,334,639 A	6/1982	Gach	5,143,234 A	9/1992	Lohrman et al.
D266,390 S	10/1982	Haner	D331,877 S	12/1992	Robichaud et al.
4,359,171 A	11/1982	Lewis	D331,878 S	12/1992	Forsyth
4,361,250 A	11/1982	Foster	5,167,338 A	12/1992	Kick
4,369,901 A	1/1983	Hidding	D333,617 S	3/1993	Brown
D268,482 S	4/1983	Mineo	5,193,704 A	3/1993	Kick
4,380,307 A	4/1983	Stillinger	5,205,430 A	4/1993	Valyi
4,403,712 A	9/1983	Wiesinger	5,211,301 A	5/1993	Groya et al.
4,414,705 A	11/1983	Ostrowsky	5,219,100 A	6/1993	Beck et al.
			D339,065 S	9/1993	Forsyth et al.
			D340,187 S	10/1993	Forsyth
			D340,188 S	10/1993	Forsyth
			5,249,695 A	10/1993	Luch et al.

(56)

References Cited

U.S. PATENT DOCUMENTS

5,269,432 A 12/1993 Beckertgis
 5,271,519 A 12/1993 Adams et al.
 5,305,931 A 4/1994 Martin et al.
 D346,958 S 5/1994 Olson
 D347,974 S 6/1994 McBride
 5,330,082 A 7/1994 Forsyth
 5,339,993 A 8/1994 Groya et al.
 5,348,183 A 9/1994 Luch et al.
 5,356,017 A 10/1994 Rohr et al.
 5,377,882 A 1/1995 Pham et al.
 5,383,582 A 1/1995 Baxter et al.
 D355,121 S 2/1995 Kohl
 5,386,918 A 2/1995 Neveras et al.
 5,397,013 A 3/1995 Adams et al.
 5,423,442 A 6/1995 Nozawa et al.
 5,435,456 A 7/1995 Dubach
 D361,512 S 8/1995 Dalmaz
 5,489,035 A 2/1996 Fuchs
 5,499,736 A 3/1996 Kohl
 5,501,348 A 3/1996 Takeuchi
 5,509,582 A 4/1996 Robbins, III
 5,531,349 A 7/1996 Wojcik et al.
 5,540,343 A 7/1996 Schumacher
 5,542,579 A 8/1996 Robbins, III
 5,558,239 A 9/1996 Dubach
 5,566,850 A 10/1996 Forsyth et al.
 5,579,957 A 12/1996 Gentile et al.
 5,588,546 A 12/1996 Farside
 5,603,421 A 2/1997 Opresco
 5,620,107 A 4/1997 Takeuchi
 5,632,417 A 5/1997 Robbins et al.
 5,642,824 A 7/1997 Hess et al.
 5,667,089 A 9/1997 Moore
 5,667,094 A 9/1997 Rapchak et al.
 D385,791 S 11/1997 Forsyth et al.
 5,738,236 A 4/1998 Brun, Jr.
 5,755,352 A 5/1998 Wojcik et al.
 5,758,793 A 6/1998 Forsyth et al.
 5,762,216 A 6/1998 Takeuchi
 5,785,193 A 7/1998 Kobayashi et al.
 5,799,838 A 9/1998 Miller
 5,823,345 A 10/1998 Nask et al.
 D404,201 S 1/1999 Wennerstrom
 5,865,353 A 2/1999 Baudin
 5,875,907 A 3/1999 Lay
 5,908,125 A 6/1999 Opresco
 5,913,435 A 6/1999 Fuchs
 D413,064 S 8/1999 Bansal
 D414,698 S 10/1999 Mogard et al.
 5,971,231 A 10/1999 Samz et al.
 5,975,368 A 11/1999 Wood
 5,996,859 A 12/1999 Beck
 6,039,224 A 3/2000 Dallas et al.
 6,041,477 A 3/2000 Rentsch et al.
 6,102,257 A 8/2000 Goyet
 6,116,469 A 9/2000 Wallays et al.
 6,152,320 A 11/2000 Hierzer et al.
 6,158,632 A 12/2000 Ekkert
 6,164,503 A 12/2000 Forsyth et al.
 D436,040 S 1/2001 Warner et al.
 6,250,507 B1 6/2001 Ekkert

6,250,517 B1 6/2001 Samz et al.
 6,283,317 B1 9/2001 Benoit-Gonin et al.
 6,289,906 B1 9/2001 Vanden et al.
 6,299,033 B1 10/2001 VerWeyst et al.
 6,308,870 B2 10/2001 Samz et al.
 6,321,923 B1 11/2001 Wood
 6,332,551 B1 12/2001 Copeland
 D453,892 S 2/2002 Lindsay et al.
 RE37,634 E 4/2002 Hickman et al.
 6,364,169 B1 4/2002 Knickerbocker
 6,382,476 B1 5/2002 Randall et al.
 6,405,885 B1 6/2002 Elliott
 6,439,410 B1 8/2002 Dubach
 6,460,712 B2 10/2002 Smith et al.
 6,460,718 B1 10/2002 Vogel
 6,460,726 B1 10/2002 Hierzer et al.
 6,464,113 B1 10/2002 Vogel
 6,488,187 B2 12/2002 Sheffler et al.
 D468,639 S 1/2003 Wennerstrom et al.
 6,510,971 B1 1/2003 Martin
 D472,138 S 3/2003 Brozell et al.
 6,550,626 B1 4/2003 Randall
 6,575,323 B1 6/2003 Martin et al.
 D476,892 S 7/2003 Martin et al.
 D476,897 S 7/2003 Brozell
 6,631,820 B2 10/2003 Harrold et al.
 6,644,487 B2 11/2003 Smith et al.
 6,688,501 B2 2/2004 DeGroot et al.
 6,691,901 B2 2/2004 Parve et al.
 6,757,957 B2 7/2004 McClean et al.
 6,761,279 B1 7/2004 Martin et al.
 6,766,926 B1 7/2004 Elchert
 6,786,363 B1 9/2004 Lohrman
 6,830,721 B2 12/2004 Martin
 6,880,736 B1 4/2005 Gnepper
 6,935,543 B2 8/2005 DeGroot et al.
 D509,426 S 9/2005 Samz et al.
 6,948,643 B1 9/2005 Lohrman
 D513,983 S 1/2006 Erdie
 D518,377 S * 4/2006 Kortleven D9/435
 7,134,575 B2 11/2006 Vogel et al.
 D562,132 S 2/2008 LaMasney
 7,721,911 B2 5/2010 Chou
 7,909,212 B2 3/2011 Parve
 2002/0079339 A1 6/2002 Sheffler et al.
 2003/0080130 A1 5/2003 Goetz et al.
 2003/0116879 A1 6/2003 Mueller et al.
 2004/0134942 A1 7/2004 Parve et al.
 2004/0169307 A1 9/2004 Mueller et al.
 2004/0226950 A1 11/2004 Samz et al.
 2005/0023304 A1 2/2005 Vogel et al.
 2006/0278665 A1 12/2006 Bennett
 2008/0093394 A1 4/2008 Peterson et al.
 2012/0085791 A1 4/2012 Groubert et al.

FOREIGN PATENT DOCUMENTS

DE 37 34 156 4/1988
 DE 42 39 299 3/1994
 EP 0 590 325 4/1994
 EP 0 631 942 1/1995
 WO WO-94/20713 9/1994

* cited by examiner

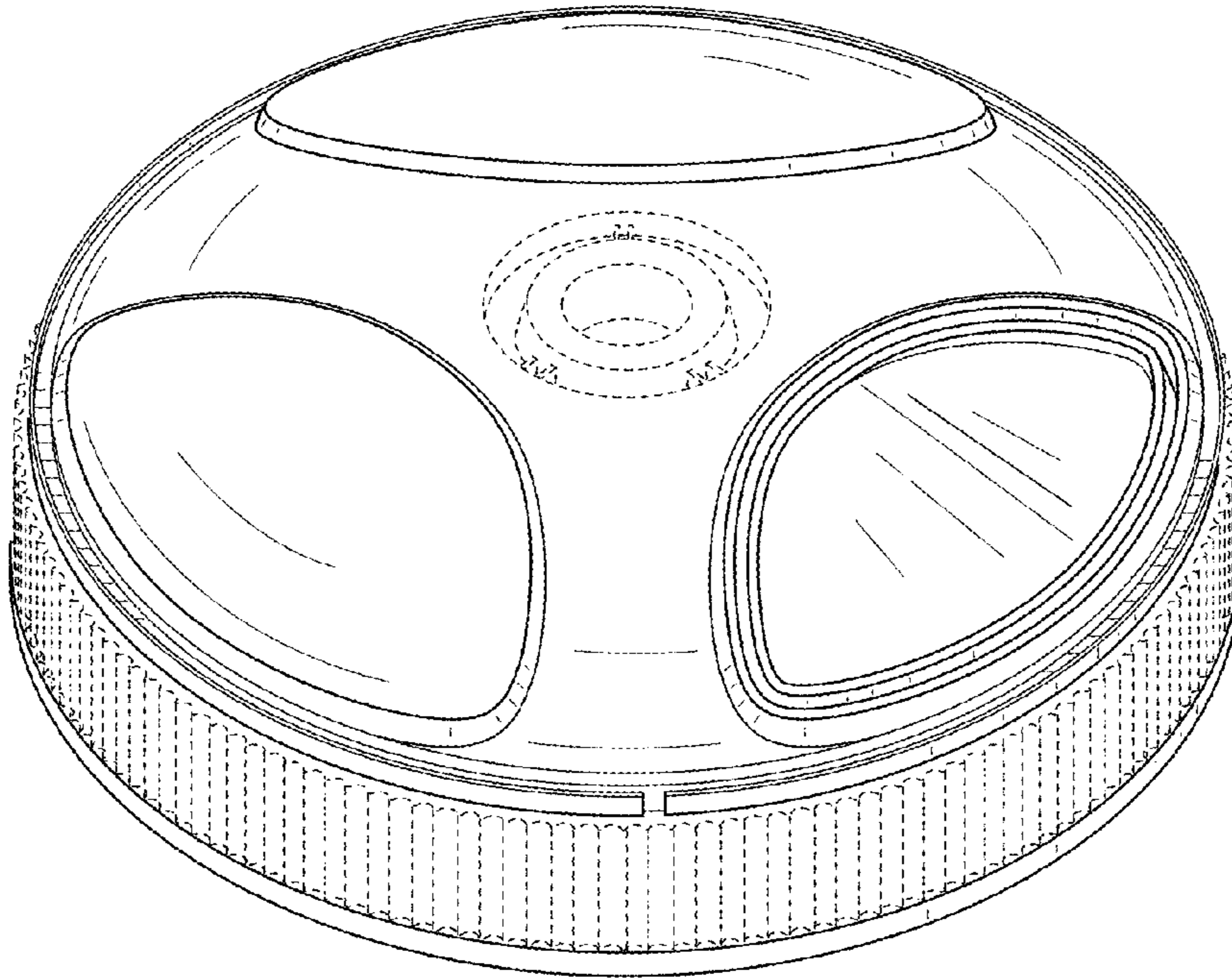


FIG. 1

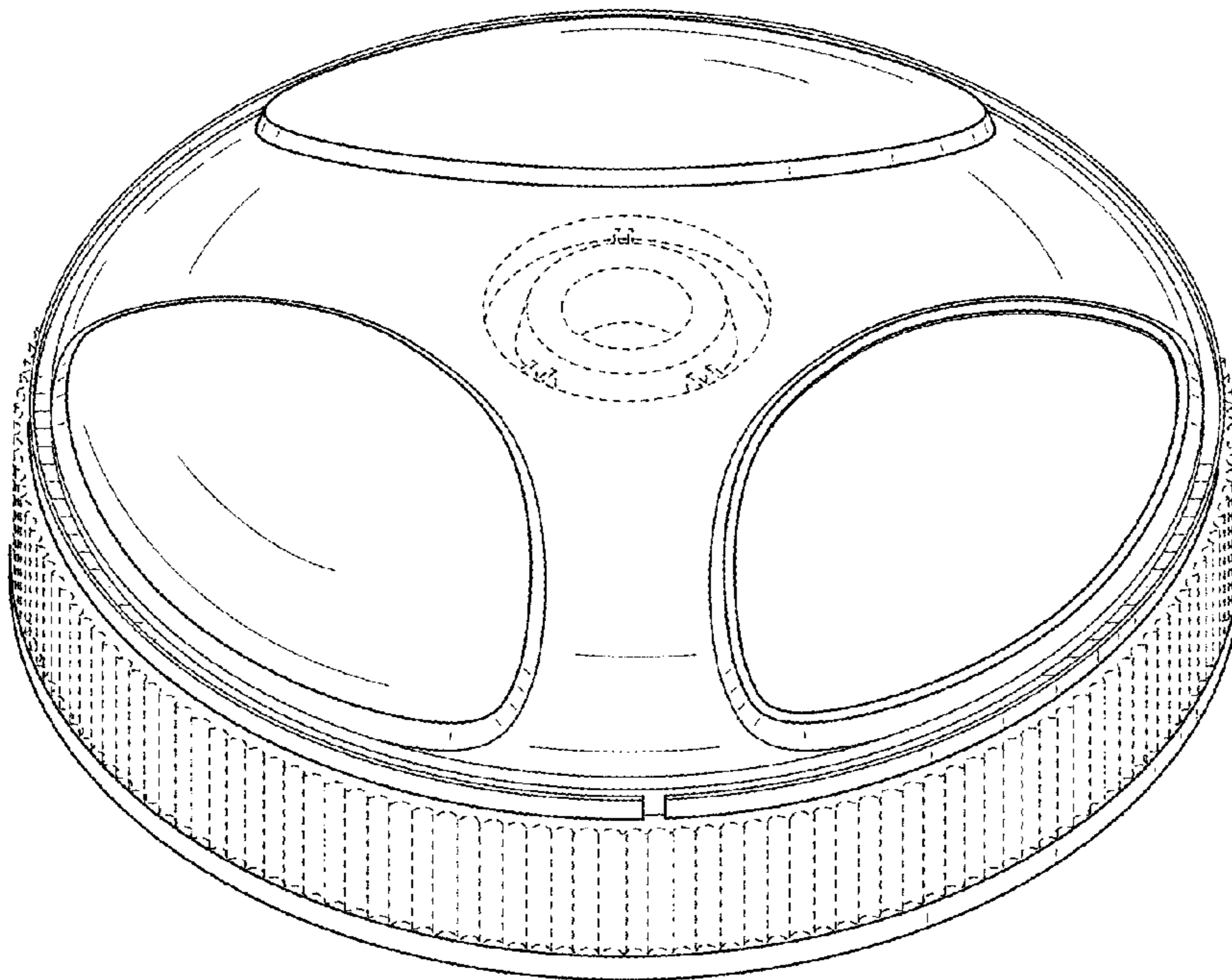


FIG. 2

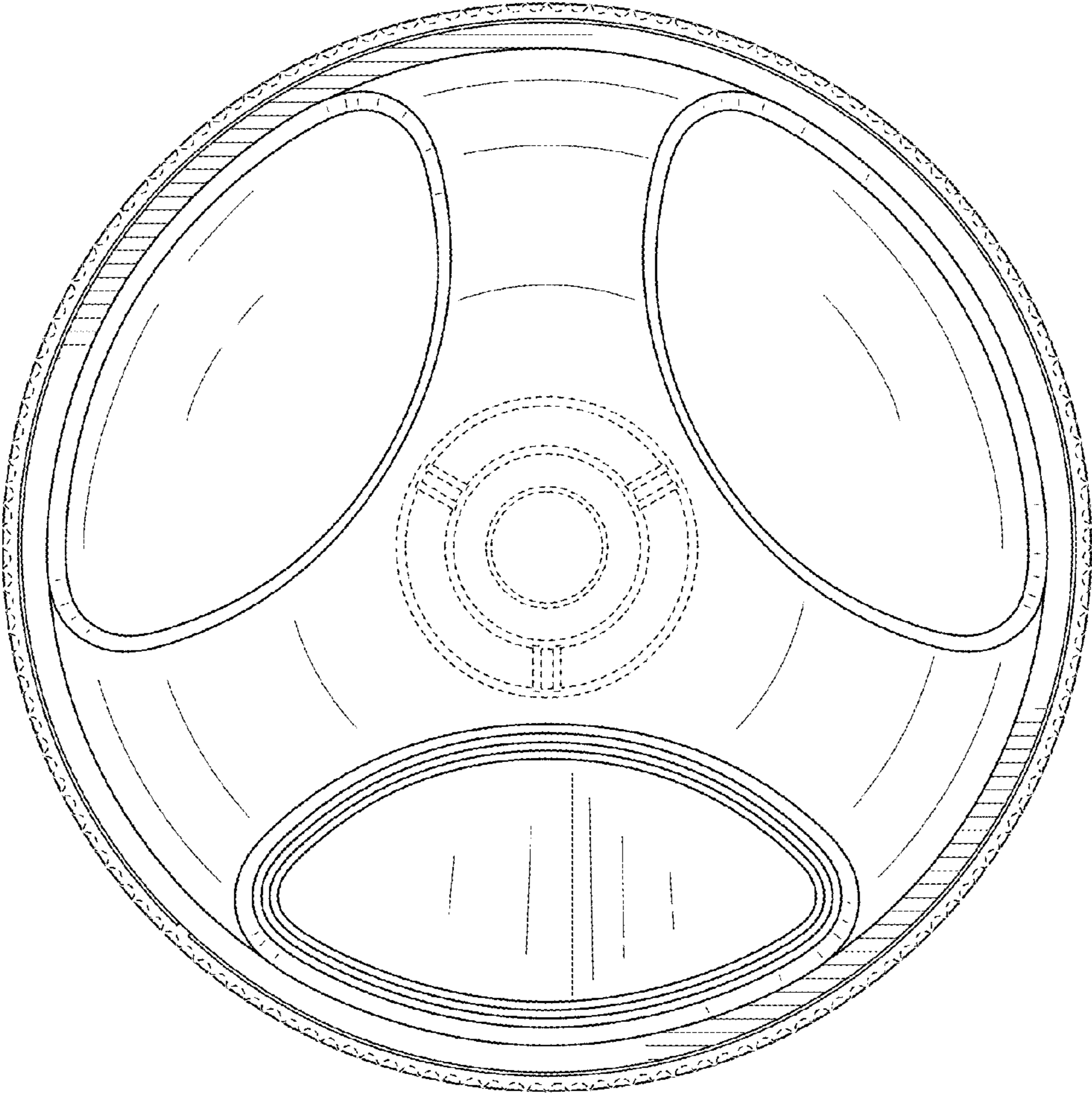


FIG. 3

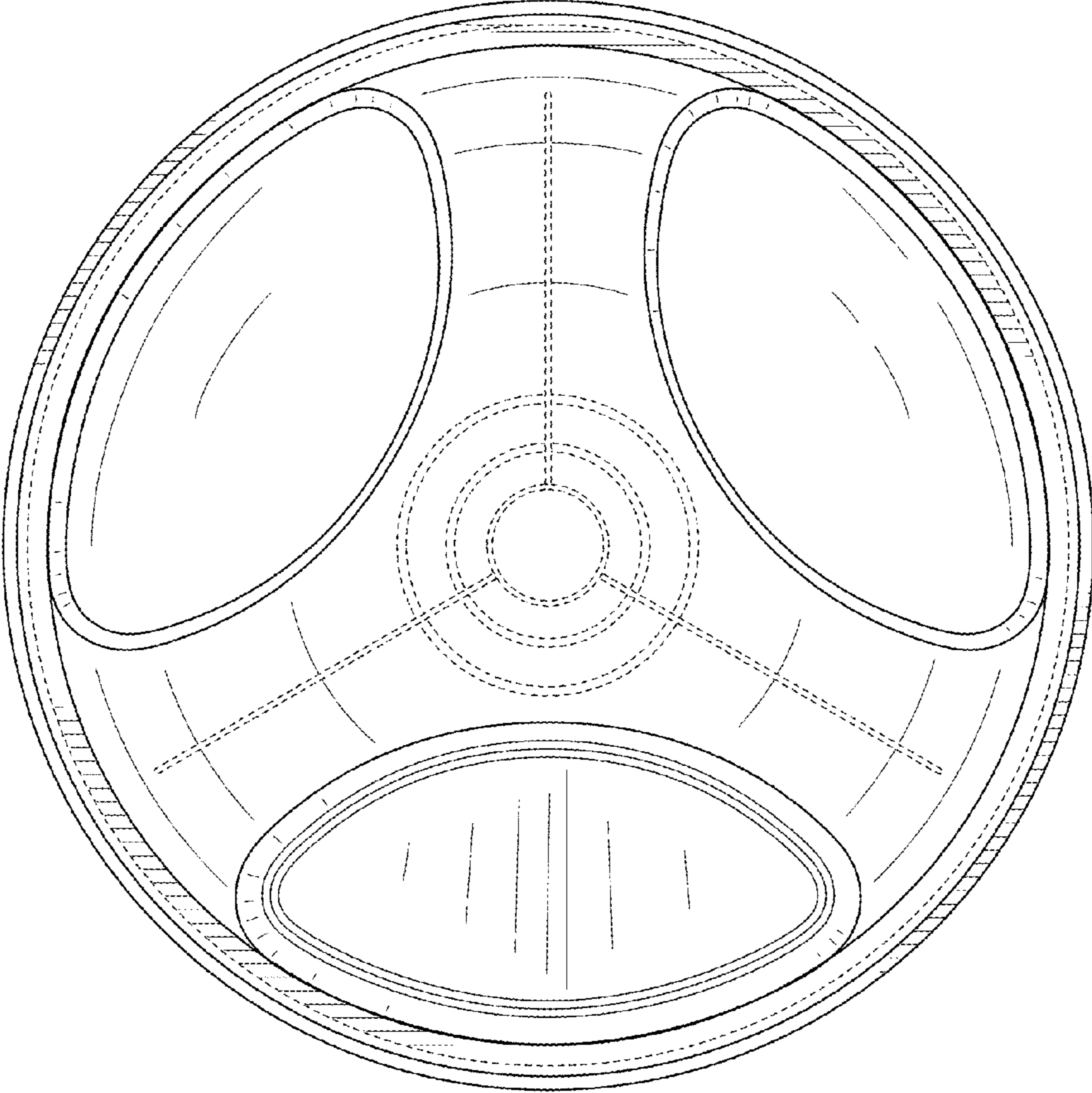


FIG. 4

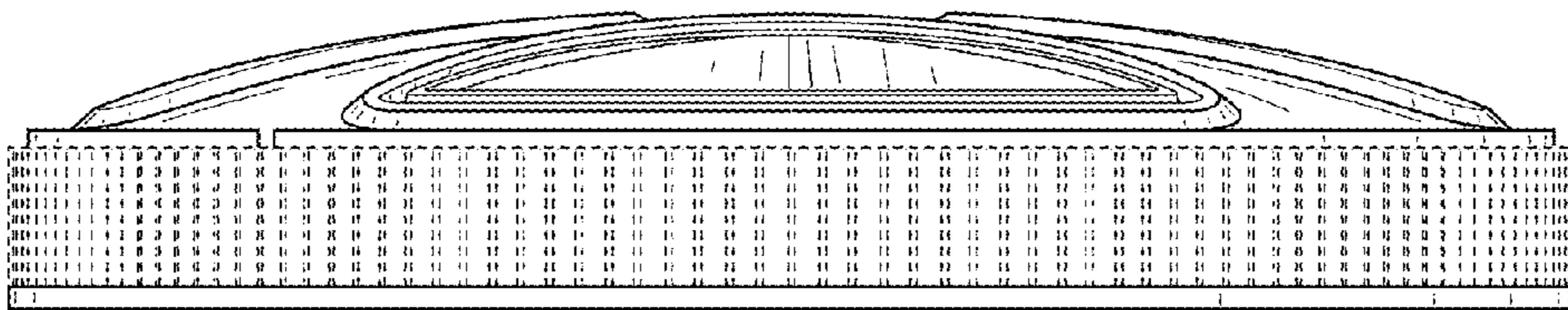


FIG. 5

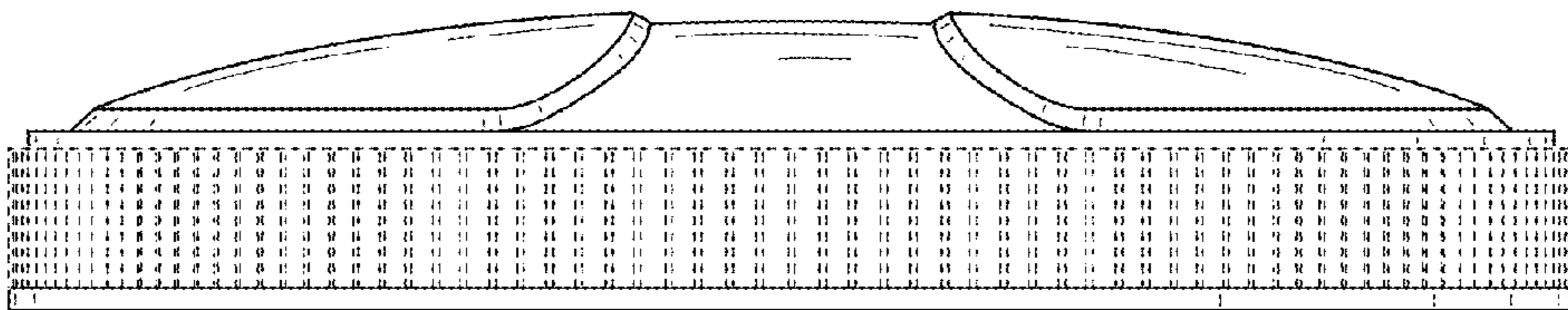


FIG. 6