



US00D714142S

(12) **United States Design Patent**  
**Hojo**

(10) **Patent No.:** **US D714,142 S**

(45) **Date of Patent:** **\*\* Sep. 30, 2014**

(54) **LIQUID CONTAINER**

(75) Inventor: **Masaru Hojo**, Tokyo (JP)

(73) Assignee: **World Create, Inc.**, Tokyo (JP)

(\*\*) Term: **14 Years**

(21) Appl. No.: **29/421,698**

(22) Filed: **Sep. 5, 2012**

(30) **Foreign Application Priority Data**

Apr. 3, 2012 (JP) ..... D2012-007822

(51) **LOC (10) Cl.** ..... **09-07**

(52) **U.S. Cl.**  
USPC ..... **D9/436**

(58) **Field of Classification Search**  
USPC ..... D7/305, 387, 392.1, 393, 394, 395,  
D7/396.2, 397, 398, 507, 510, 601, 619.1,  
D7/622; D8/310, 312; D9/434, 435, 436,  
D9/439, 440, 442, 443, 446, 447, 449, 452,  
D9/453, 455, 549, 559, 572, 575;  
D13/174; D15/150, 199; D23/250;  
206/144, 146, 150, 151, 159, 385;  
210/472, 474; 215/219, 228, 235, 236,  
215/252, 256, 294, 296, 306, 318, 319, 390,  
215/395, 396, 399; 220/23.83, 212, 287,  
220/296, 375, 737, 741, 742, 751; 222/569,  
222/570; 224/148.1, 148.4, 148.5, 148.6;  
294/31.2, 137, 149

See application file for complete search history.

(56) **References Cited**

**U.S. PATENT DOCUMENTS**

D196,082 S \* 8/1963 Stull ..... D9/453  
3,424,218 A 1/1969 Vanderbur et al.  
4,752,015 A \* 6/1988 Schumacher ..... 215/228  
5,008,066 A \* 4/1991 Mueller ..... 264/537  
D353,328 S \* 12/1994 Nuffer ..... D9/446

5,562,221 A 10/1996 Beniacar  
D411,106 S \* 6/1999 Conrad ..... D9/436  
D437,782 S \* 2/2001 Haley et al. .... D9/440  
D438,626 S \* 3/2001 Broussard et al. .... D24/199  
D467,492 S \* 12/2002 Wieder ..... D8/356  
D487,227 S \* 3/2004 Haley ..... D9/439  
D530,200 S \* 10/2006 Kingsley ..... D9/446  
D567,650 S \* 4/2008 Leoncavallo et al. .... D9/439  
D632,958 S \* 2/2011 Fuchs ..... D9/453  
D643,722 S \* 8/2011 Gorskey et al. .... D9/446  
D646,177 S \* 10/2011 Jeffs ..... D9/549  
D684,860 S \* 6/2013 Parks et al. .... D9/436  
D691,046 S \* 10/2013 Krause ..... D9/453  
2005/0274753 A1 \* 12/2005 Swentor et al. .... 224/148.6  
2007/0108153 A1 \* 5/2007 Weist ..... 215/215

**FOREIGN PATENT DOCUMENTS**

JP H06-312734 11/1994  
JP D1091067 \* 9/2000  
JP 2010-275012 12/2010

\* cited by examiner

*Primary Examiner* — Susan Bennett Hattan

*Assistant Examiner* — Leanne Was

(74) *Attorney, Agent, or Firm* — Roylance, Abrams, Berdo  
and Goodman LLP

(57) **CLAIM**

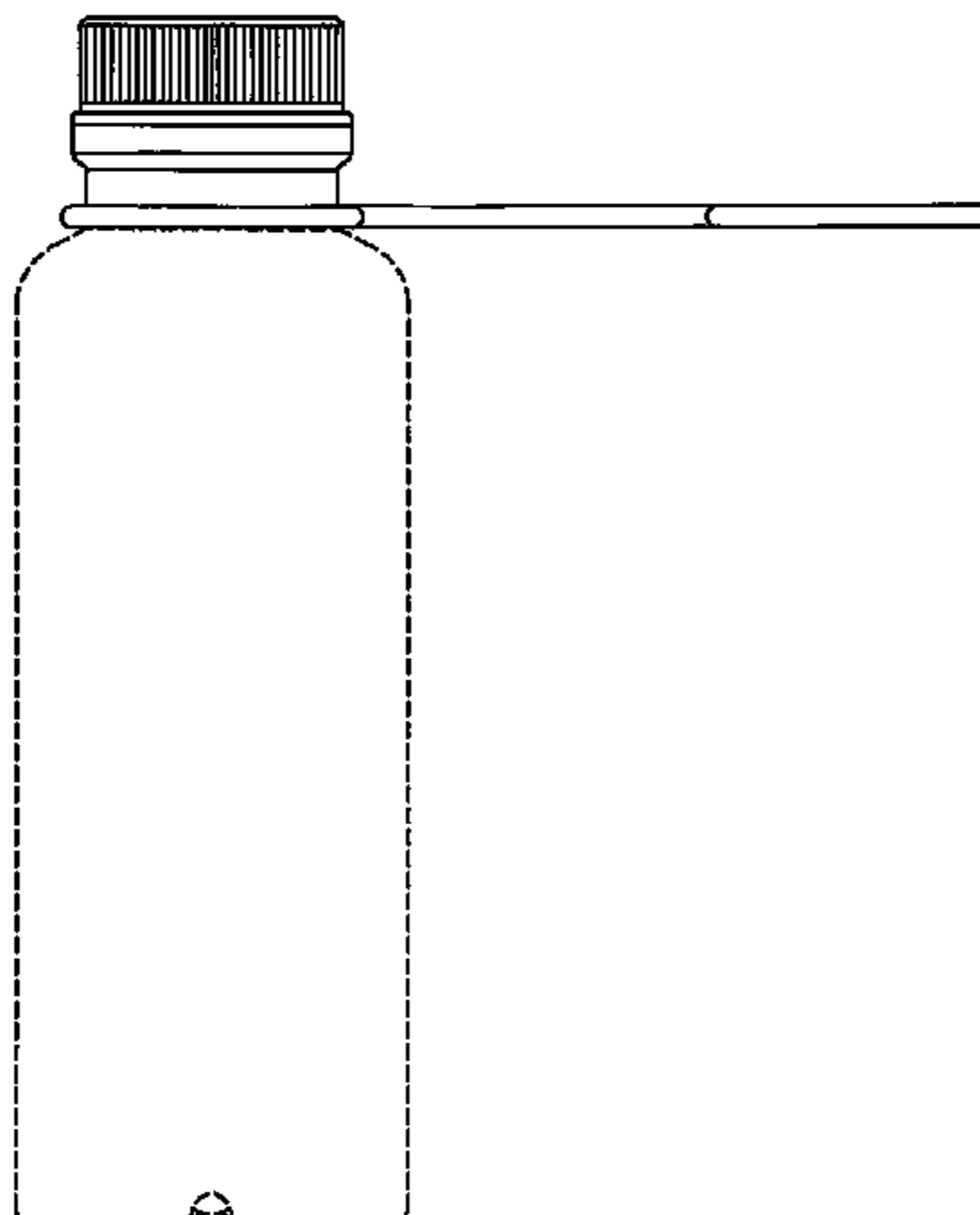
I claim the ornamental design for a liquid container, as shown  
and described.

**DESCRIPTION**

FIG. 1 is a front elevation view of a liquid container showing  
my new design;  
FIG. 2 is a top plan view thereof;  
FIG. 3 is a bottom view thereof;  
FIG. 4 is a left side elevation view thereof; and,  
FIG. 5 is a partial enlarged view according to the truncated  
rectangle shown in FIG. 2.

The broken lines in the drawing depict environmental subject  
matter only and form no part of the claimed design.

**1 Claim, 2 Drawing Sheets**



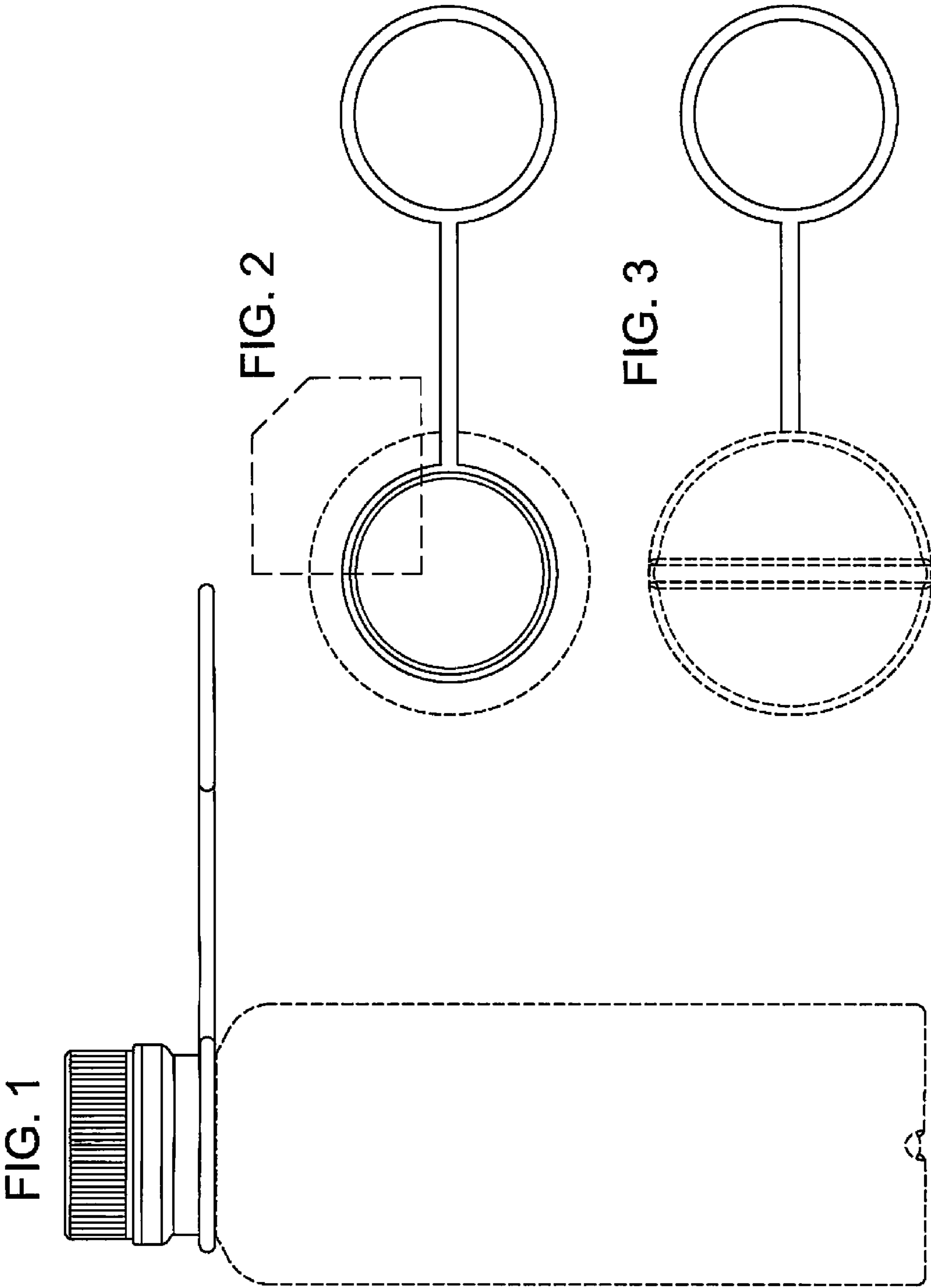


FIG. 1

FIG. 2

FIG. 3

FIG. 4



FIG. 5

