



US00D714140S

(12) **United States Design Patent**
Quijano et al.

(10) **Patent No.:** **US D714,140 S**

(45) **Date of Patent:** **** Sep. 30, 2014**

(54) **PACKAGING**

(75) Inventors: **David Quijano**, Fort Collins, CO (US);
Allison M. Knapp, Fort Collins, CO
(US); **Owen T. Richard**, Fort Collins,
CO (US); **Michael R. Diehl**, Fort
Collins, CO (US)

(73) Assignee: **Hewlett-Packard Development
Company, L.P.**, Houston, TX (US)

(**) Term: **14 Years**

(21) Appl. No.: **29/428,664**

(22) Filed: **Aug. 2, 2012**

(51) **LOC (10) Cl.** **09-07**

(52) **U.S. Cl.**
USPC **D9/434**

(58) **Field of Classification Search**
CPC B65D 5/32; B65D 5/321-5/324; B65D
5/0085; B65D 5/48; B65D 5/48004; B65D
5/503; B65D 5/5028; B65D 5/5088; B65D
5/509; B65D 5/50; B65D 5/5004; B65D
5/5007; B65D 5/5011; B65D 5/5014; B65D
5/4279; B65D 5/0045; B65D 5/002; B65D
5/003; B65D 5/0064; B65D 5/0065; B65D
5/0066; B65D 5/2004; B65D 5/2052
USPC D9/414-427, 428-434
See application file for complete search history.

(56) **References Cited**

U.S. PATENT DOCUMENTS

2,732,062 A * 1/1956 Pratt et al. 229/161
2,823,846 A * 2/1958 George 229/117.17
3,952,672 A * 4/1976 Gordon et al. 108/51.3

D262,945 S * 2/1982 Lytra D9/415
4,383,636 A * 5/1983 Chaffers 206/509
4,458,837 A * 7/1984 Sellors 229/120.14
6,135,347 A * 10/2000 Mueller 229/183
7,121,453 B2 * 10/2006 Nass 229/177
2002/0008134 A1 * 1/2002 Southwell 229/166
2003/0006165 A1 * 1/2003 Evans et al. 206/723
2005/0191900 A1 * 9/2005 Noguchi 439/532
2008/0149654 A1 * 6/2008 Fry 220/796
2011/0005964 A1 * 1/2011 He et al. 206/592

* cited by examiner

Primary Examiner — Eric Goodman

Assistant Examiner — Brett Miller

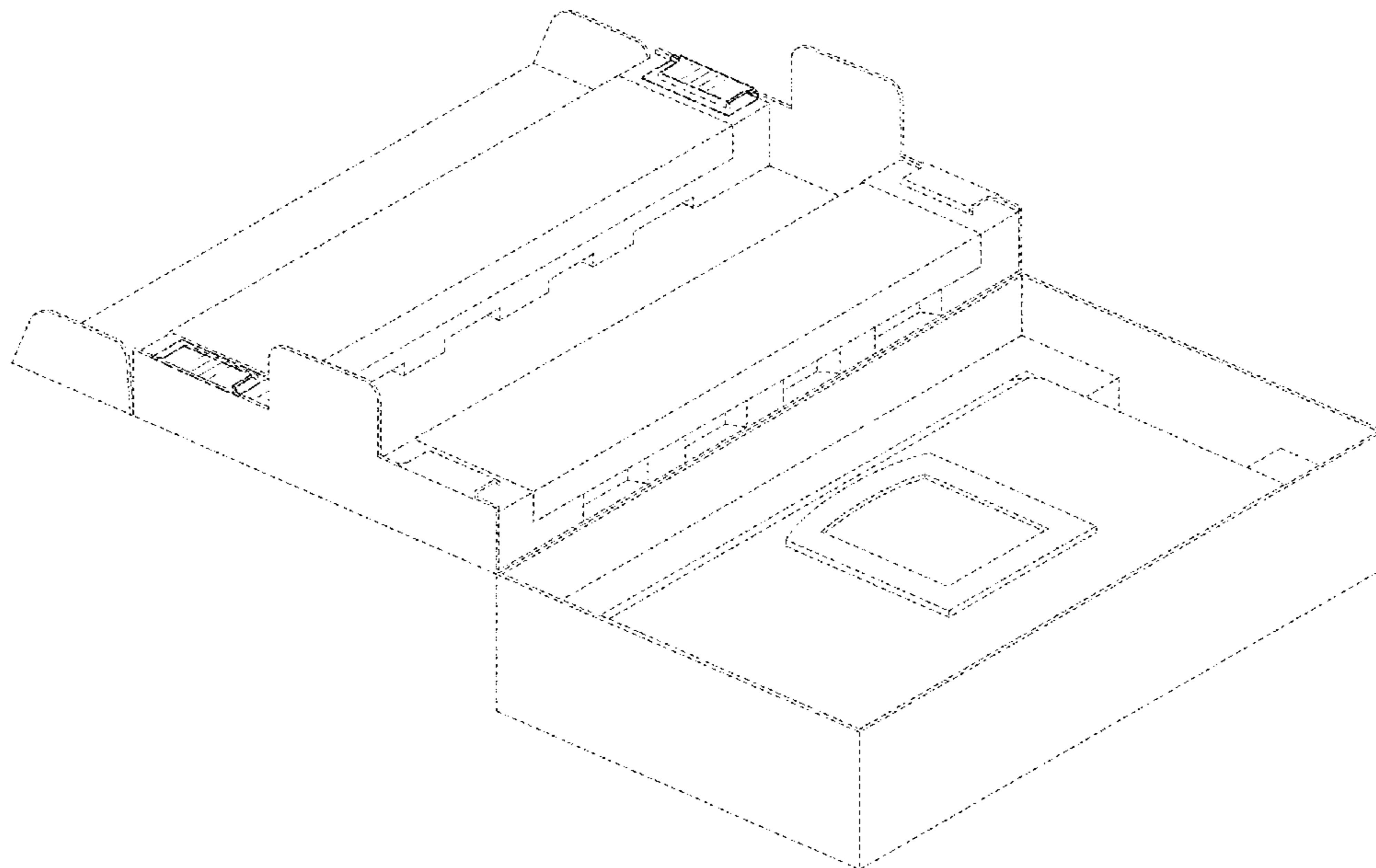
(57) **CLAIM**

We claim the ornamental design for a packaging, as shown and described.

DESCRIPTION

FIG. 1 is a top perspective view of a packaging in an open state with contents;
FIG. 2 is a top perspective view of the packaging of FIG. 1 without the contents;
FIG. 3 is a top plan view of the packaging of FIG. 2;
FIG. 4 is a sectional view of the packaging of FIG. 3 taken along line 4-4;
FIG. 5 is an enlarged fragmentary perspective view of the packaging of FIG. 2; and,
FIG. 6 is a sectional view of the packaging of FIG. 2 taken along line 6-6.
The dash-dash broken lines in the drawings are environmental lines which do not form part of the claimed design. The short dash-long dash lines are boundary lines which do not form part of the claimed design.

1 Claim, 5 Drawing Sheets



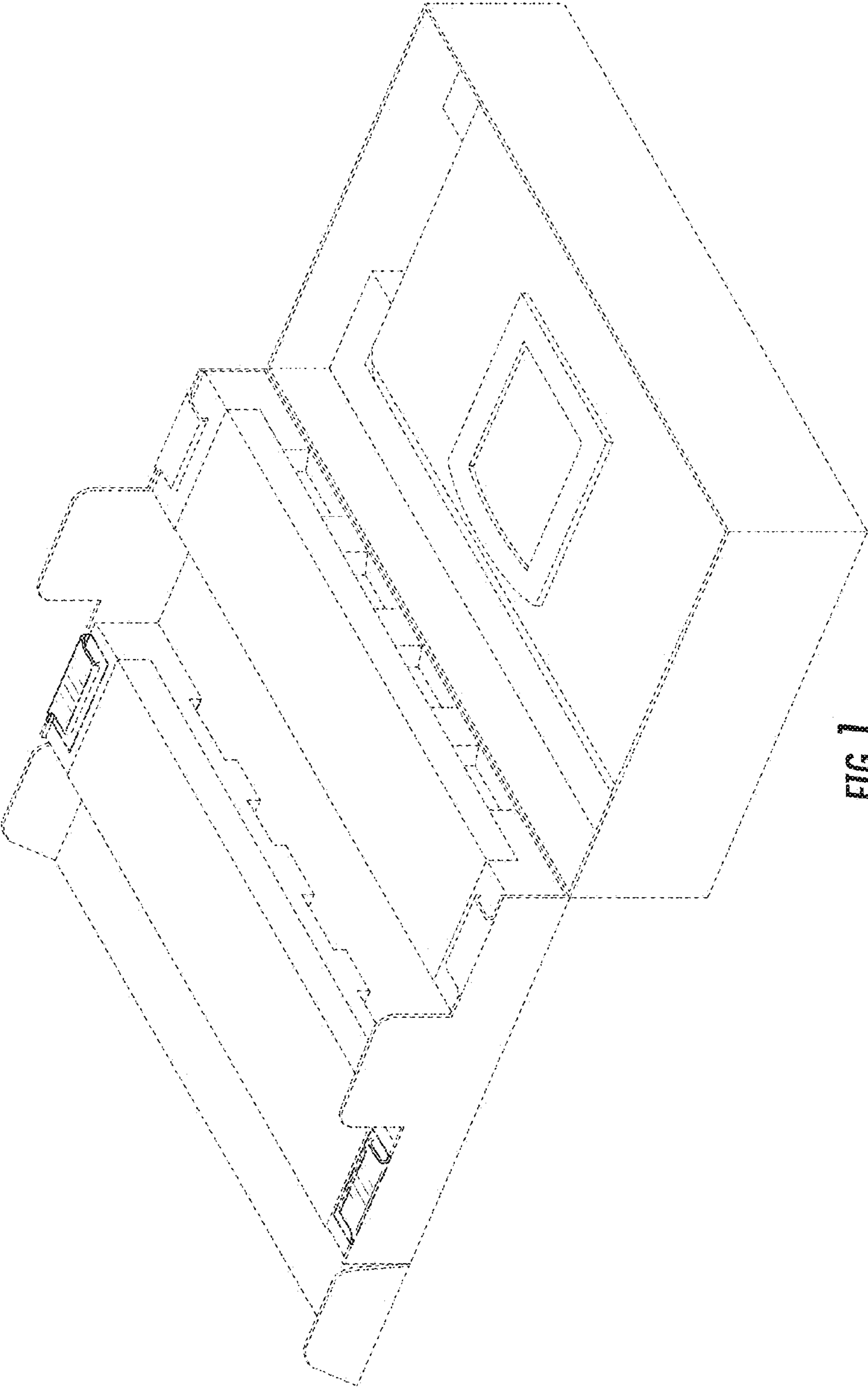


FIG. 1

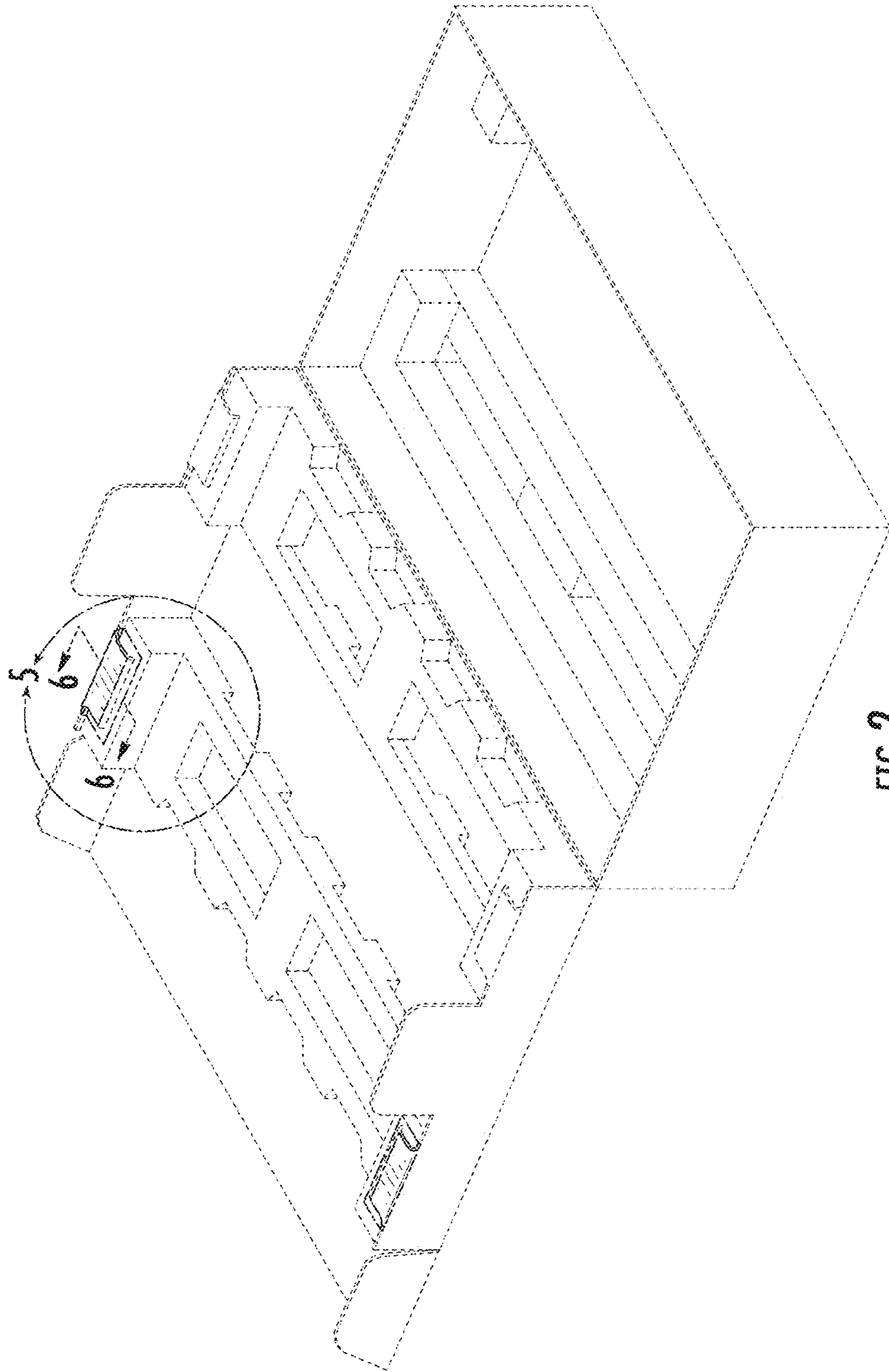
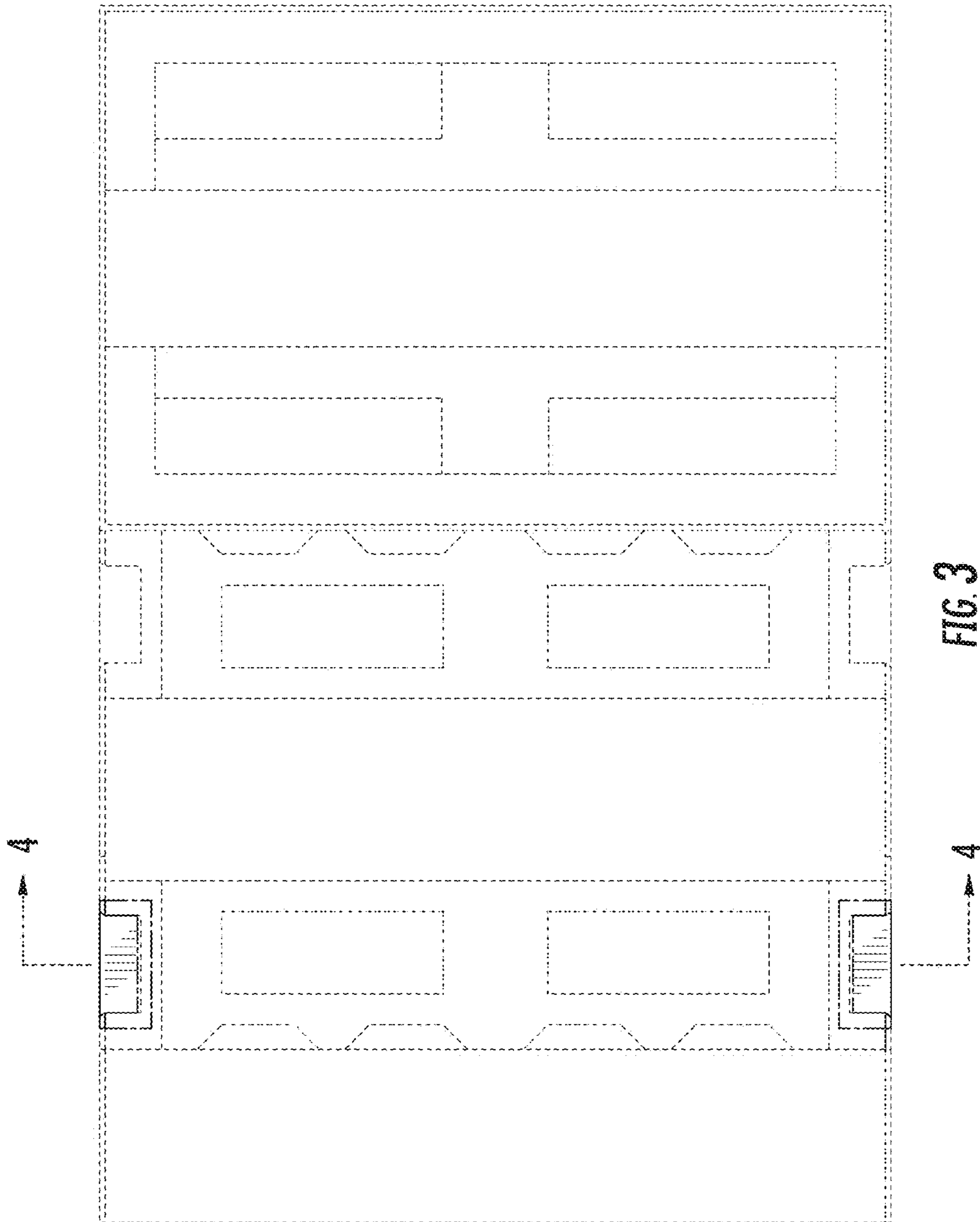


FIG. 2



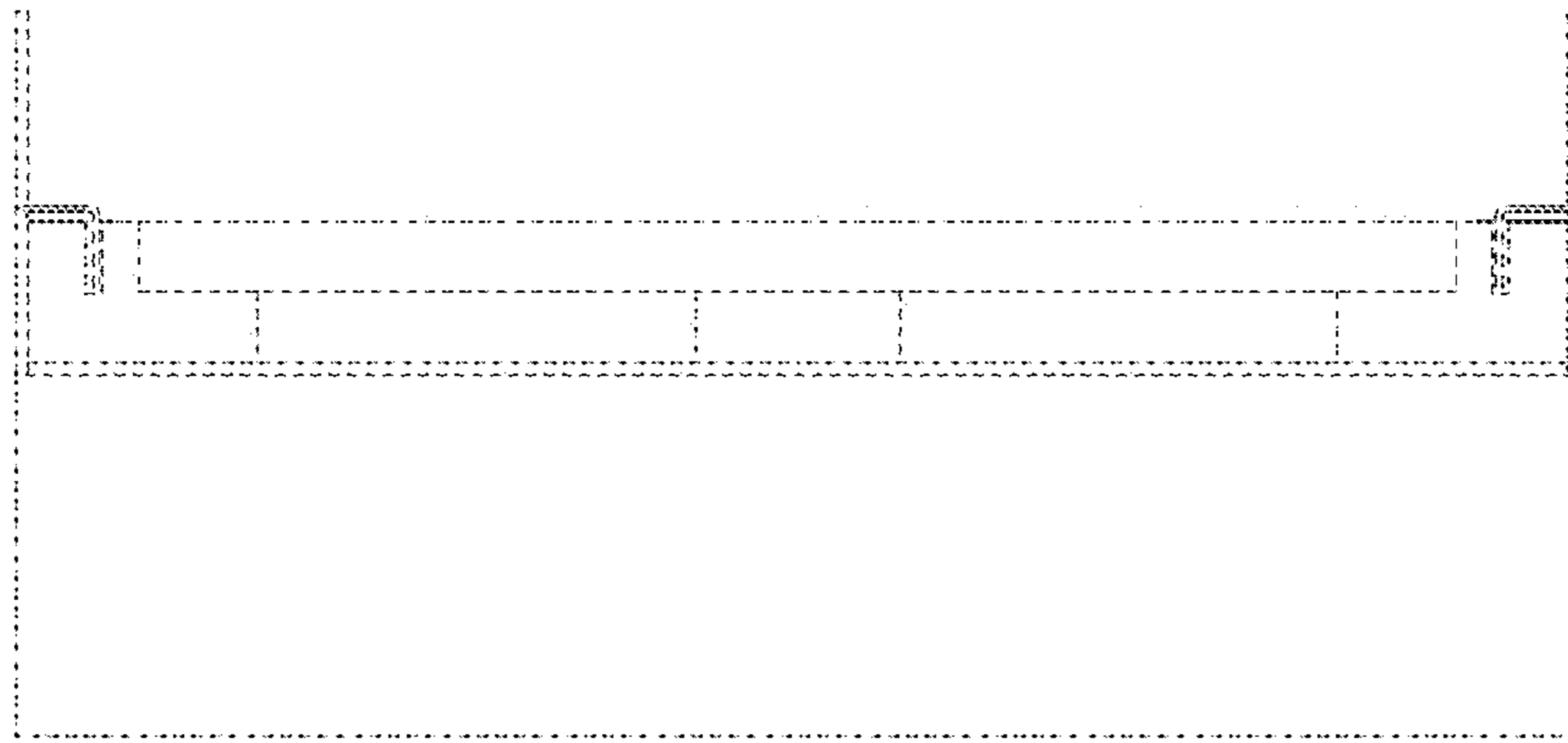


FIG. 4

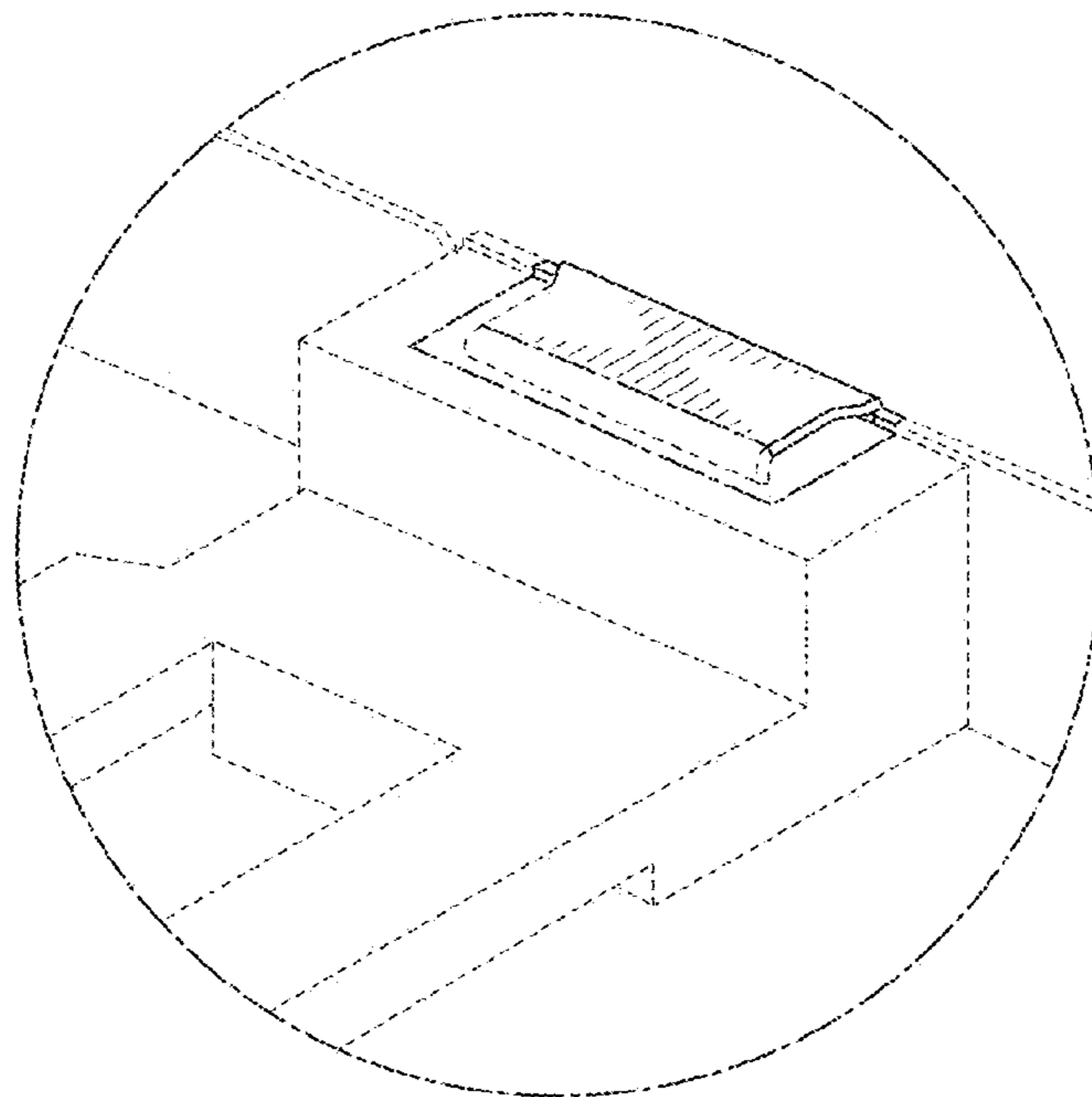


FIG. 5

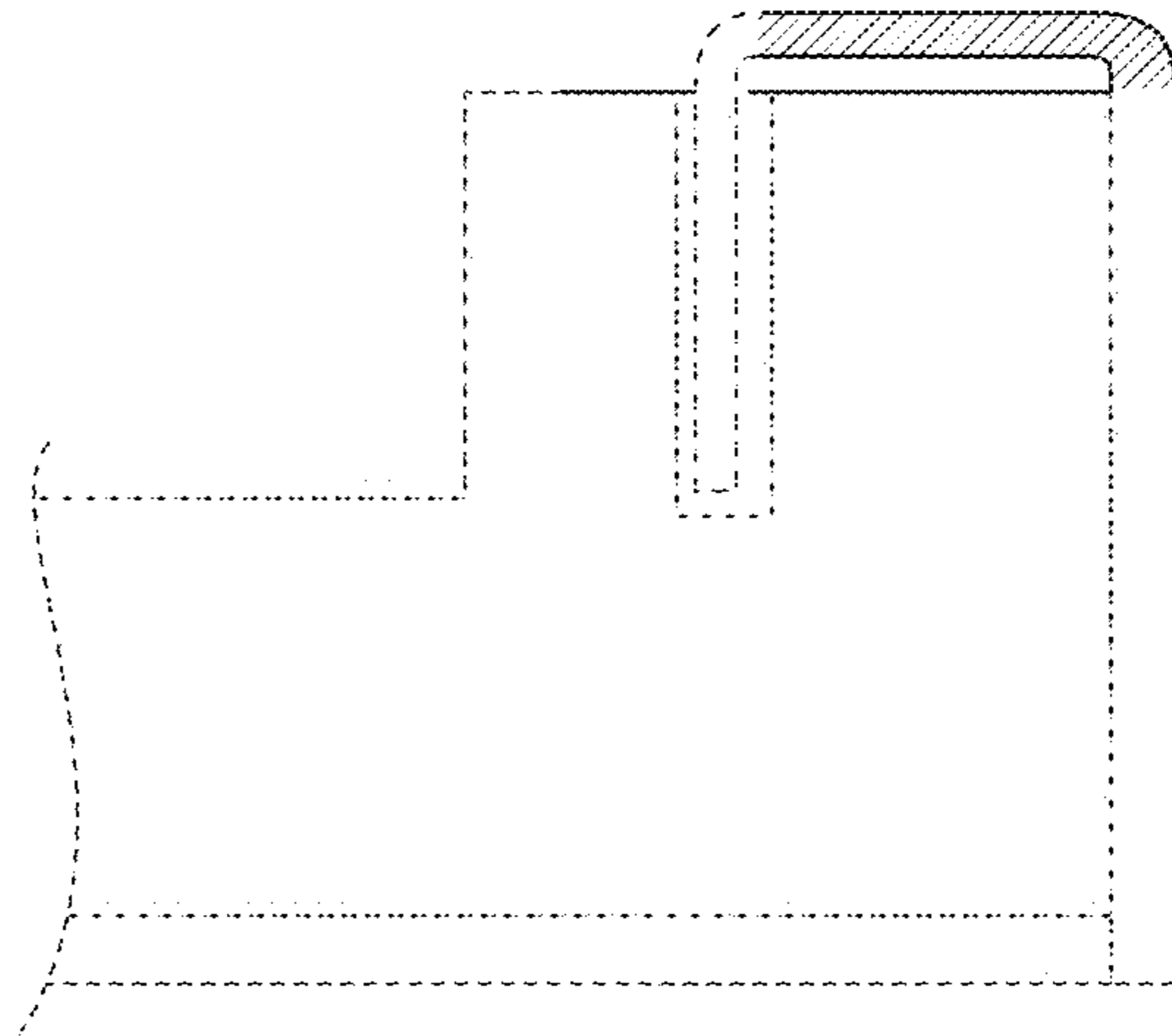


FIG. 6